

[54] ROUTER

[75] Inventor: Etsushi Yamamoto, Fuchu, Japan

[73] Assignee: Ryobi Limited, Fuchu, Japan

[**] Term: 14 Years

[21] Appl. No.: 606,767

[22] Filed: May 3, 1984

[30] Foreign Application Priority Data

Nov. 25, 1983 [JP] Japan 58-51380

[52] U.S. Cl. D8/67

[58] Field of Search D8/67; 409/182;
144/134 D

[56] References Cited

U.S. PATENT DOCUMENTS

D. 207,384 4/1967 Burrows et al. D8/67

D. 281,218 11/1985 Barrett et al. D8/67

3,489,191	1/1970	Blevins	144/134 D
4,143,691	3/1979	Robinson	409/182
4,239,428	12/1980	Berzina	409/182
4,319,860	3/1982	Beares	409/182

Primary Examiner—B. J. Bullock
Attorney, Agent, or Firm—Frishauf, Holtz, Goodman & Woodward

[57] CLAIM

The ornamental design for a router, as shown and described.

DESCRIPTION

FIG. 1 is a front elevational view of a router showing my new design;

FIG. 2 is a front left side perspective view thereof;

FIG. 3 is a rear left side perspective view thereof;

FIG. 4 is a bottom perspective view thereof; and

FIG. 5 is a sectional bottom plan view thereof, taken through the legs for clarity of illustration.

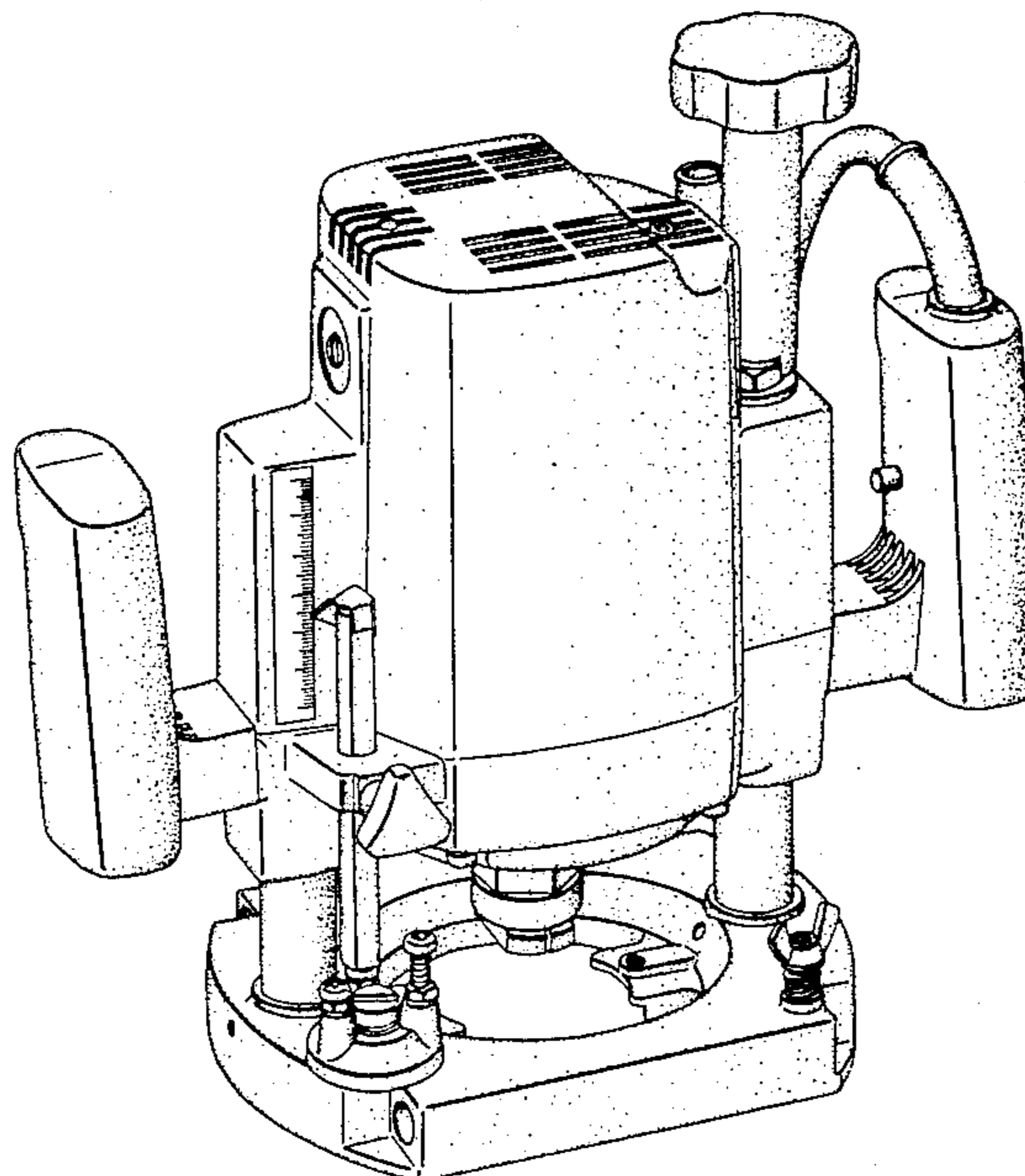


FIG. 1

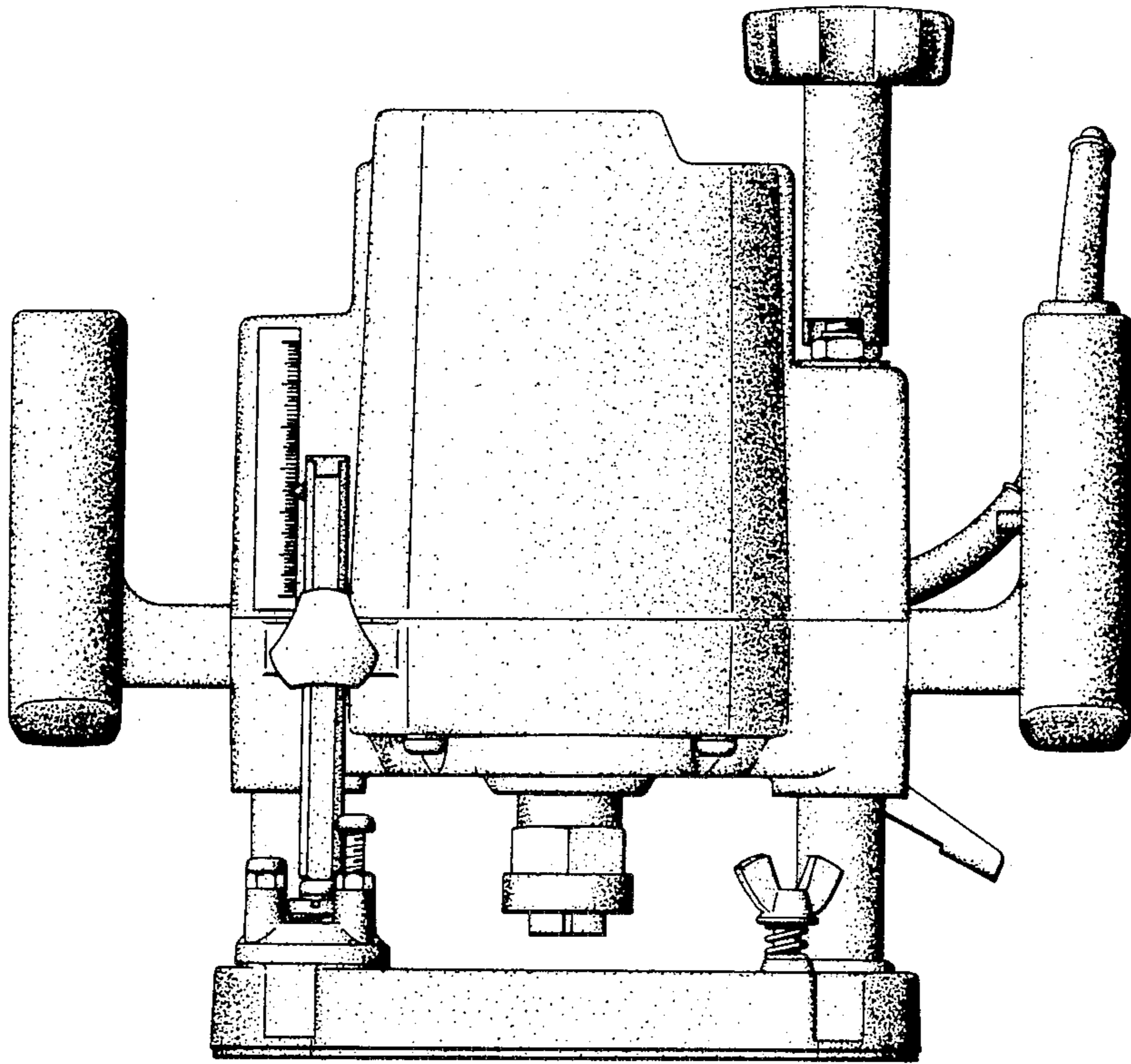


FIG. 2

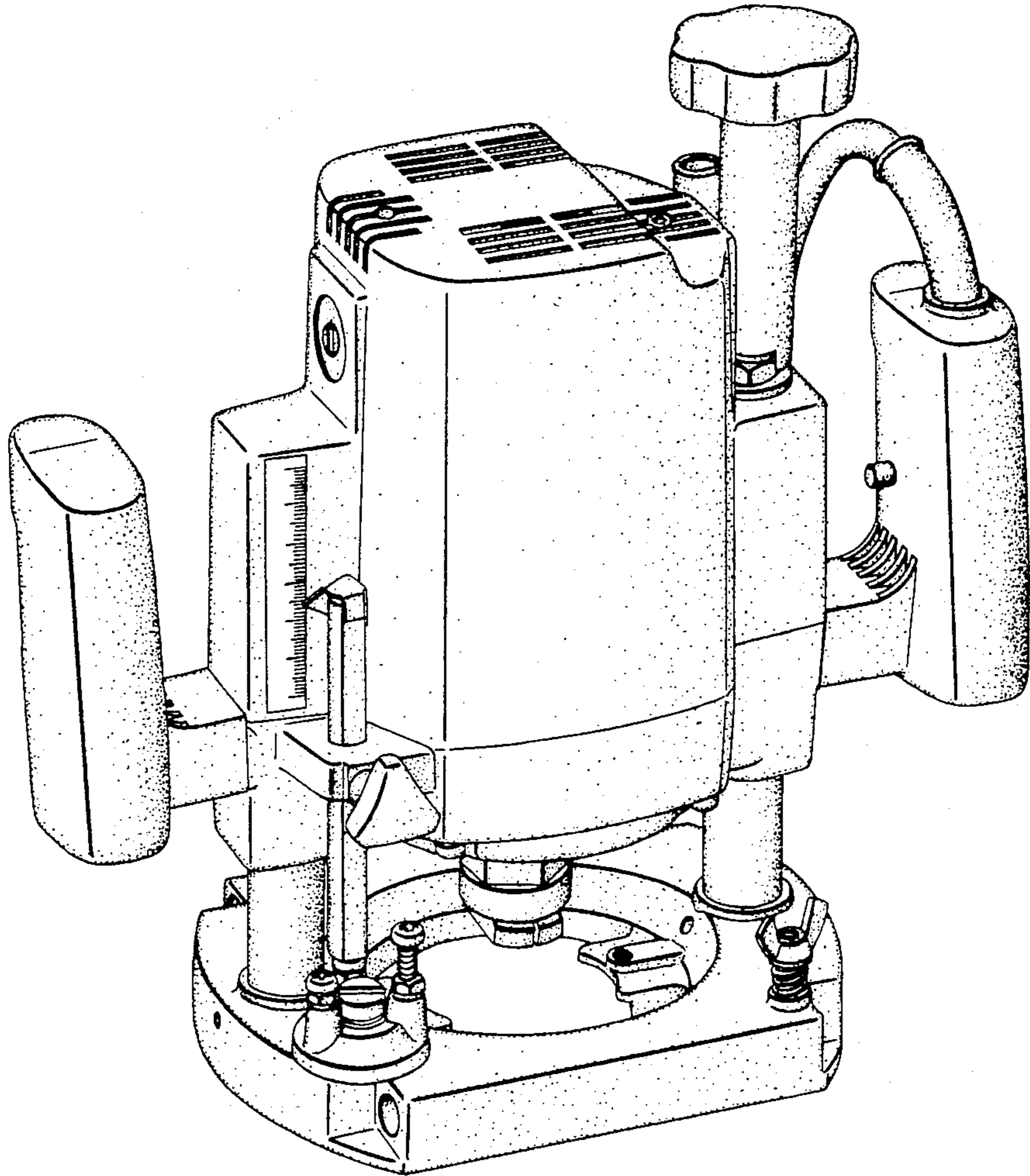


FIG. 3

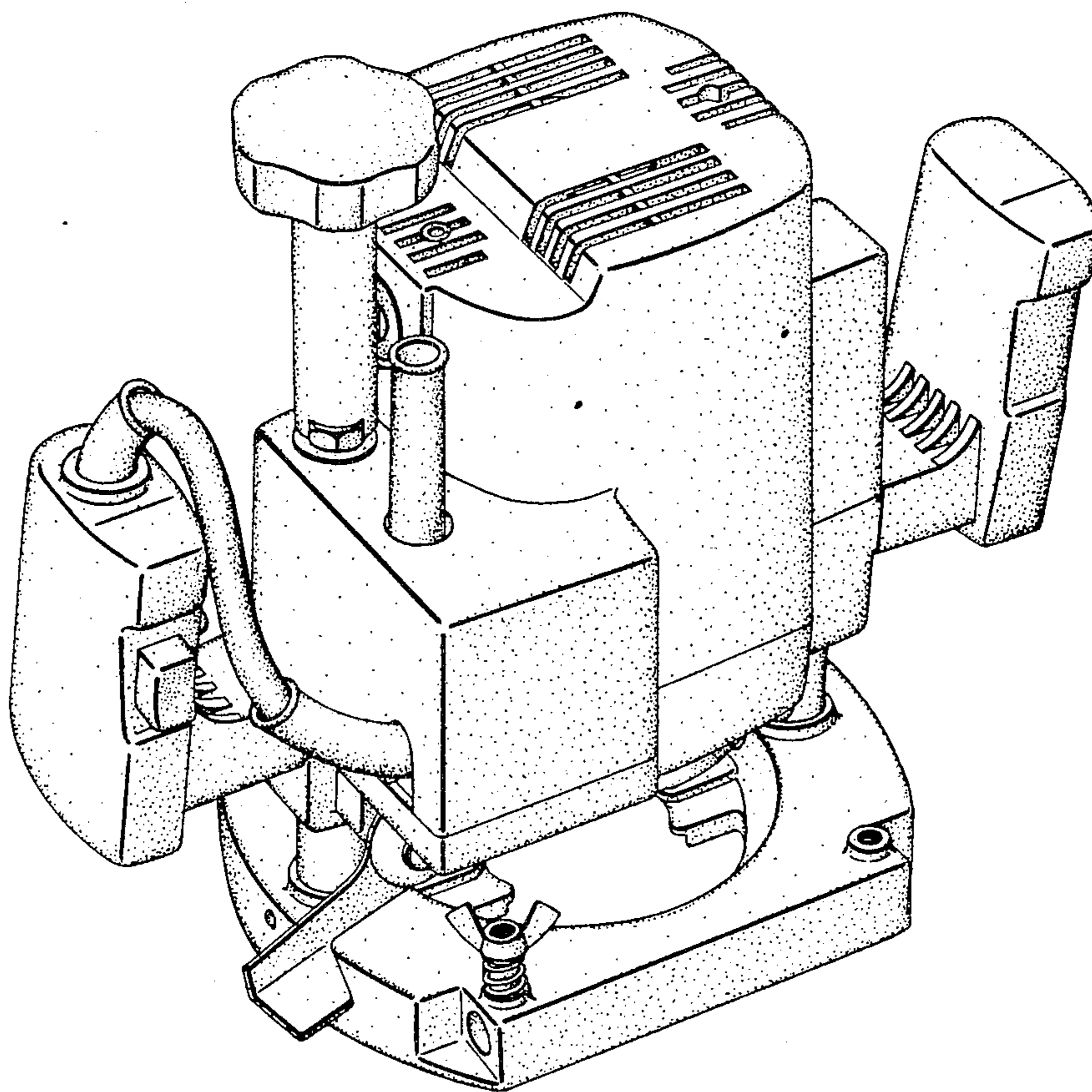


FIG. 4

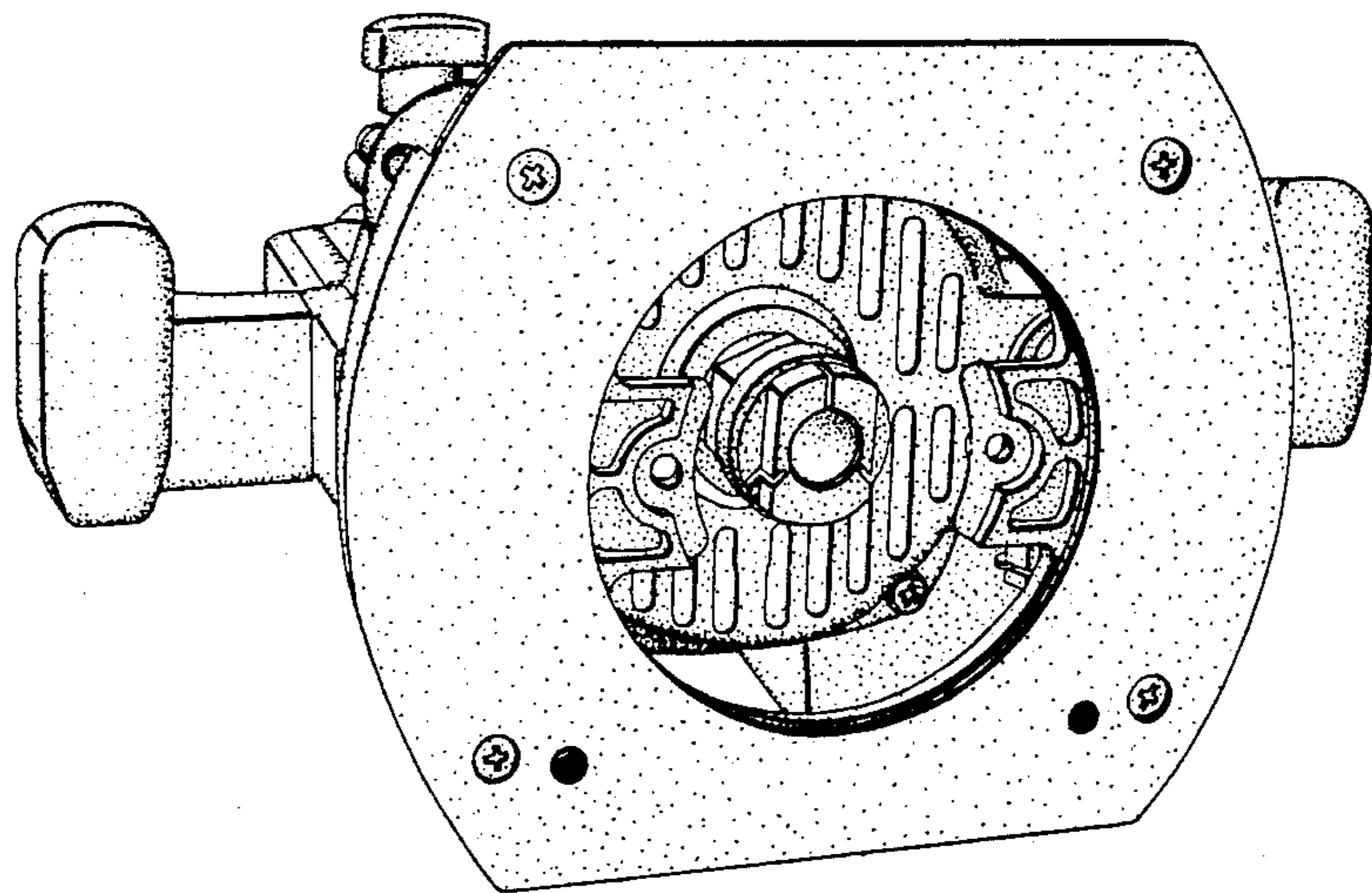


FIG. 5

