

[54] MICROWAVE ROASTING RACK OR THE LIKE

[75] Inventors: Robert F. Bowen, Burlington, Mass.; Walter B. Herbst, Evanston; Thomas E. Salisbury, Highland Park, both of Ill.

[73] Assignee: Raytheon Company, Lexington, Mass.

[**] Term: 14 Years

[21] Appl. No.: 611,230

[22] Filed: May 17, 1984

[52] U.S. Cl. D7/351

[58] Field of Search D7/2, 337-338, D7/351, 354, 359, 387-388, 409; 99/425, 444-445, 450, 451; 219/10.55 C, 10.55 D, 10.55 E, 10.55 F

[56] References Cited

U.S. PATENT DOCUMENTS

D. 2,767	8/1842	Riley	99/445
D. 252,008	6/1979	Jeambey	D7/359
D. 264,036	4/1982	Pomroy et al.	D7/359
D. 265,790	8/1982	Taylor	D7/388
D. 278,306	4/1985	McIntosh	D7/409

640,030	12/1899	Rietzke	99/445
4,074,102	2/1978	Agen	219/10.55 E
4,112,833	9/1978	Oda et al.	99/425
4,121,510	10/1978	Frederick	219/10.55 E
4,455,467	6/1984	Dills	219/10.55 E

OTHER PUBLICATIONS

Merchandising, Jan. 1979, p.18, Folddown Rack (3948). HFD, Retailing Home Furnishings, Section 3, Jul. 10, 1978, p. 35, Westbend Microwave Cooking (Roasting Pan w/Rack).

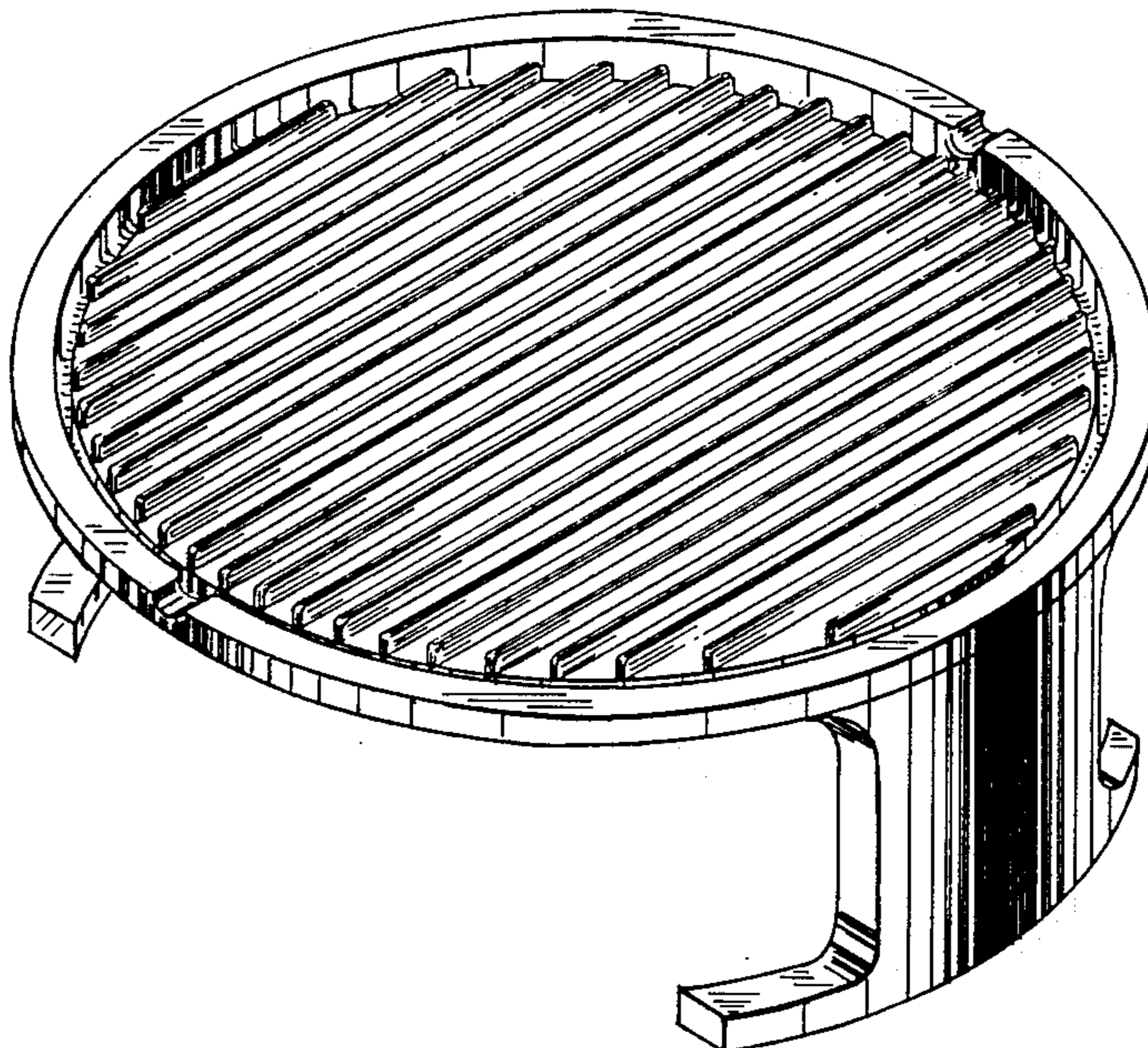
Primary Examiner—Wallace R. Burke
Assistant Examiner—Ruth E. Takemoto
Attorney, Agent, or Firm—William R. Clark; Richard M. Sharkansky

[57] CLAIM

The ornamental design for a microwave roasting rack or the like, as shown.

DESCRIPTION

FIG. 1 is a top perspective view of a microwave roasting rack or the like showing our new design; FIG. 2 is a top plan view thereof; FIG. 3 is a front elevational view thereof, the rear view being a mirror image; FIG. 4 is a bottom plan view thereof; and FIG. 5 is a side elevational view thereof.



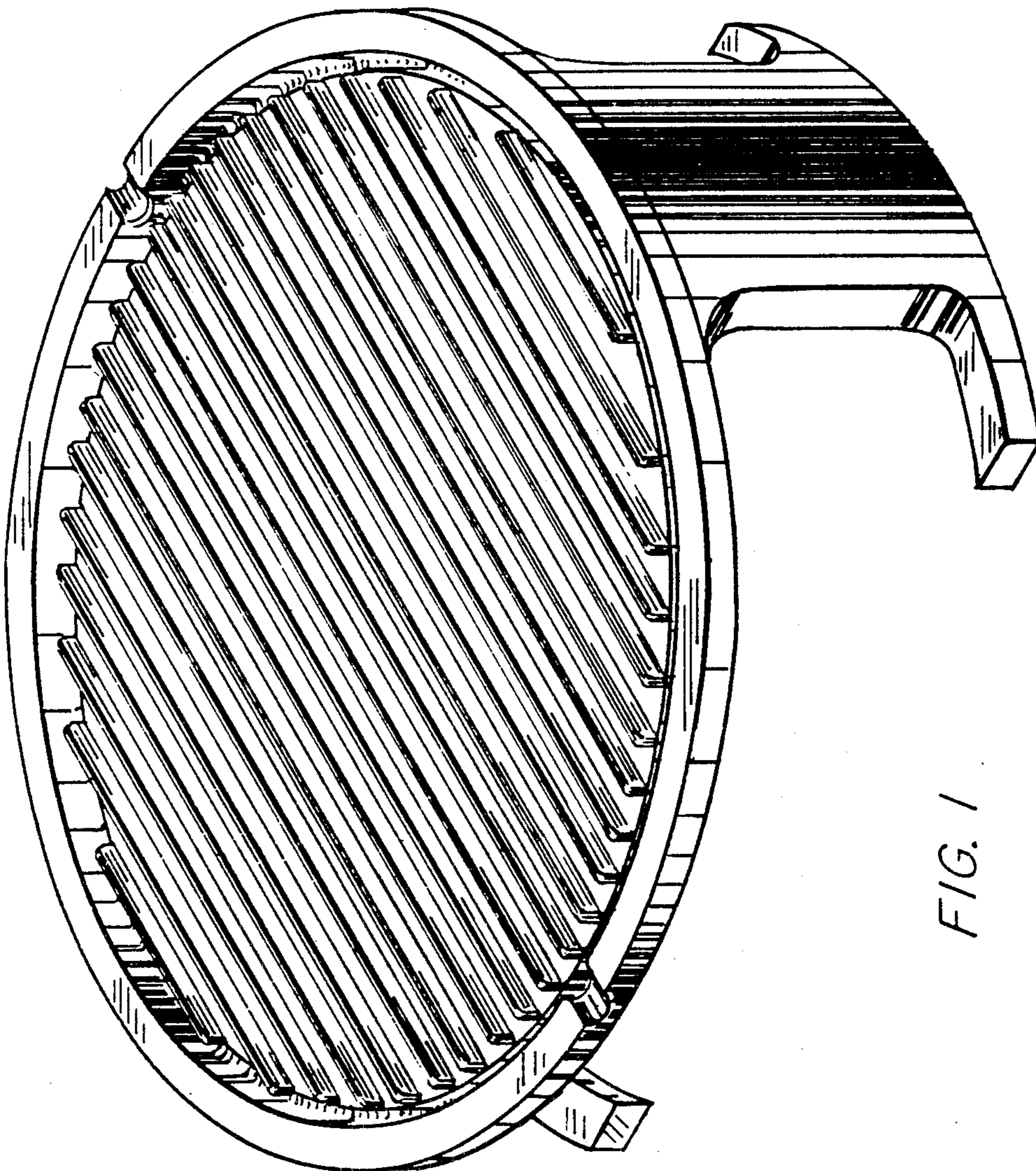


FIG. 1

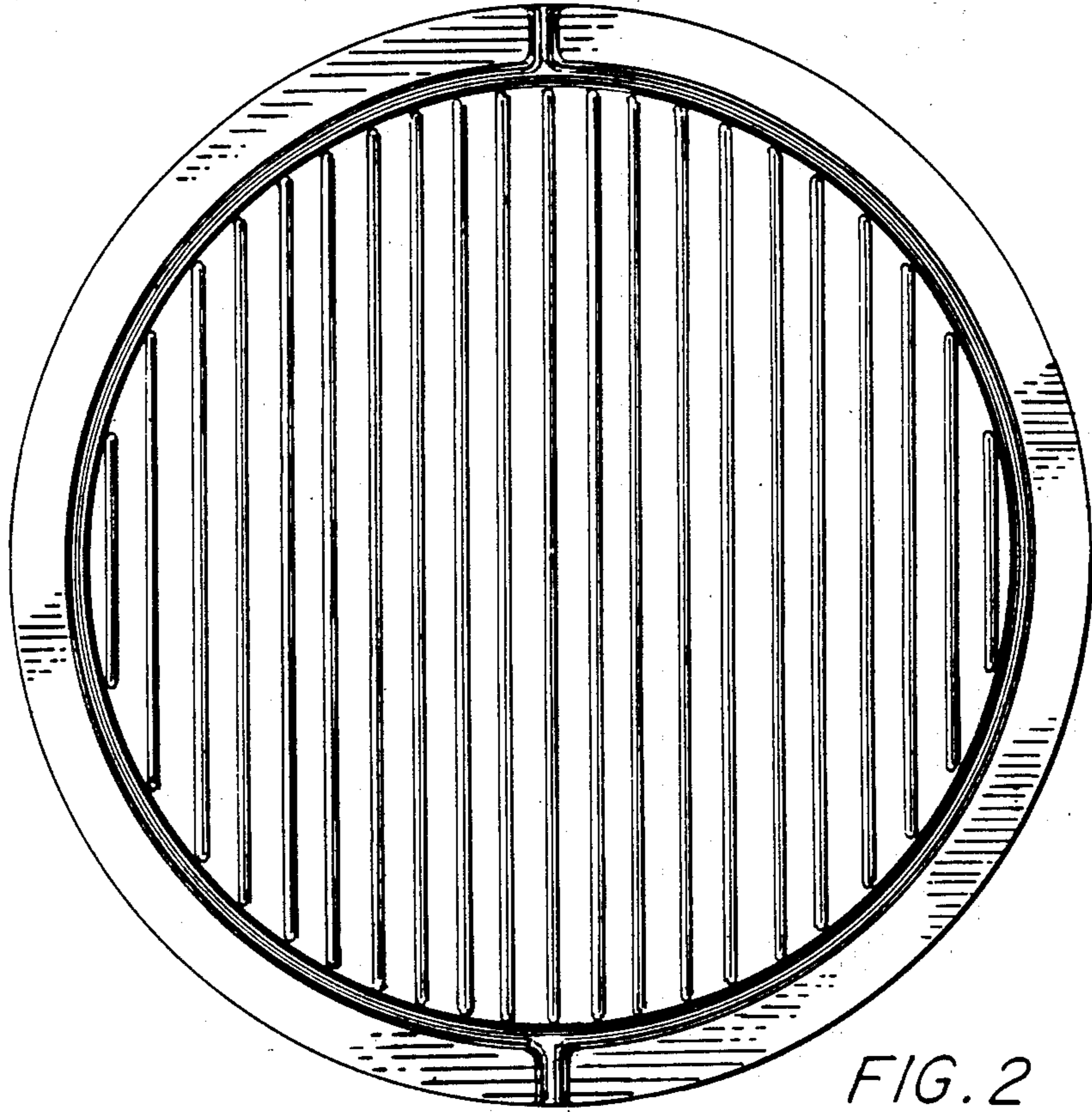


FIG. 2

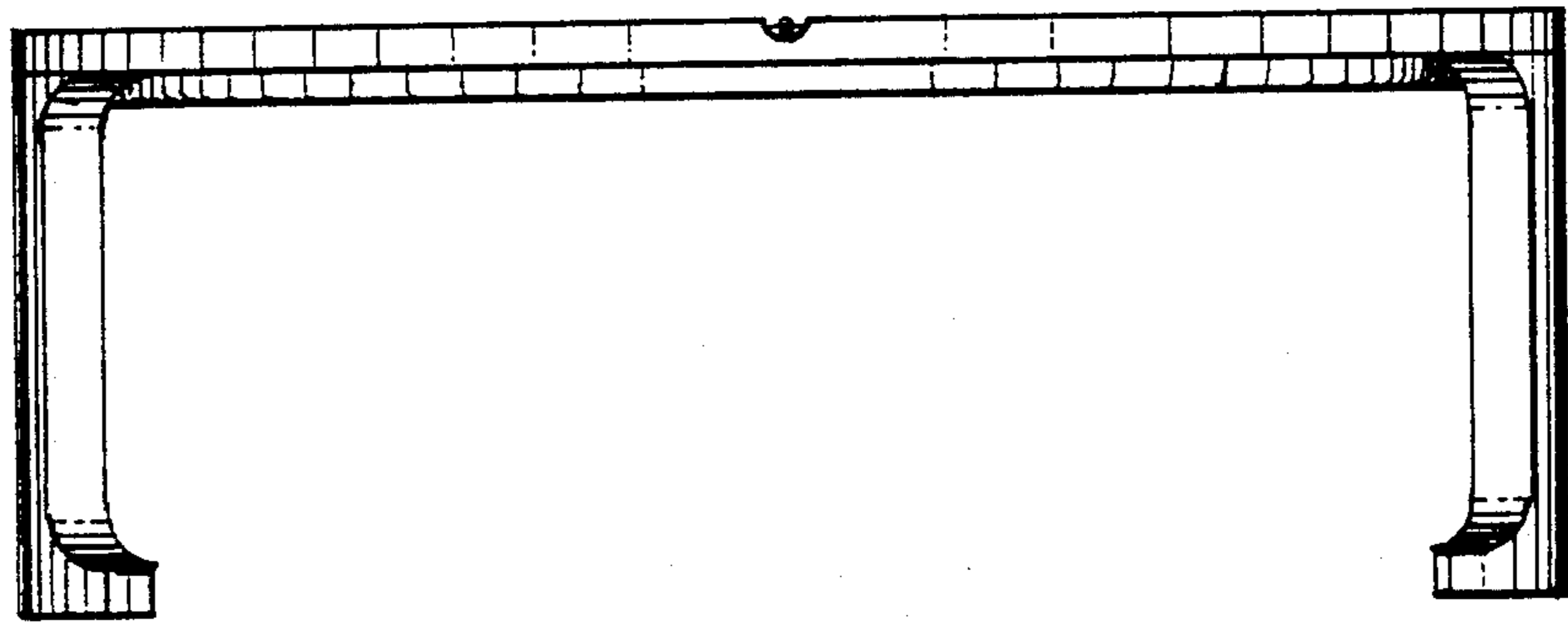


FIG. 3

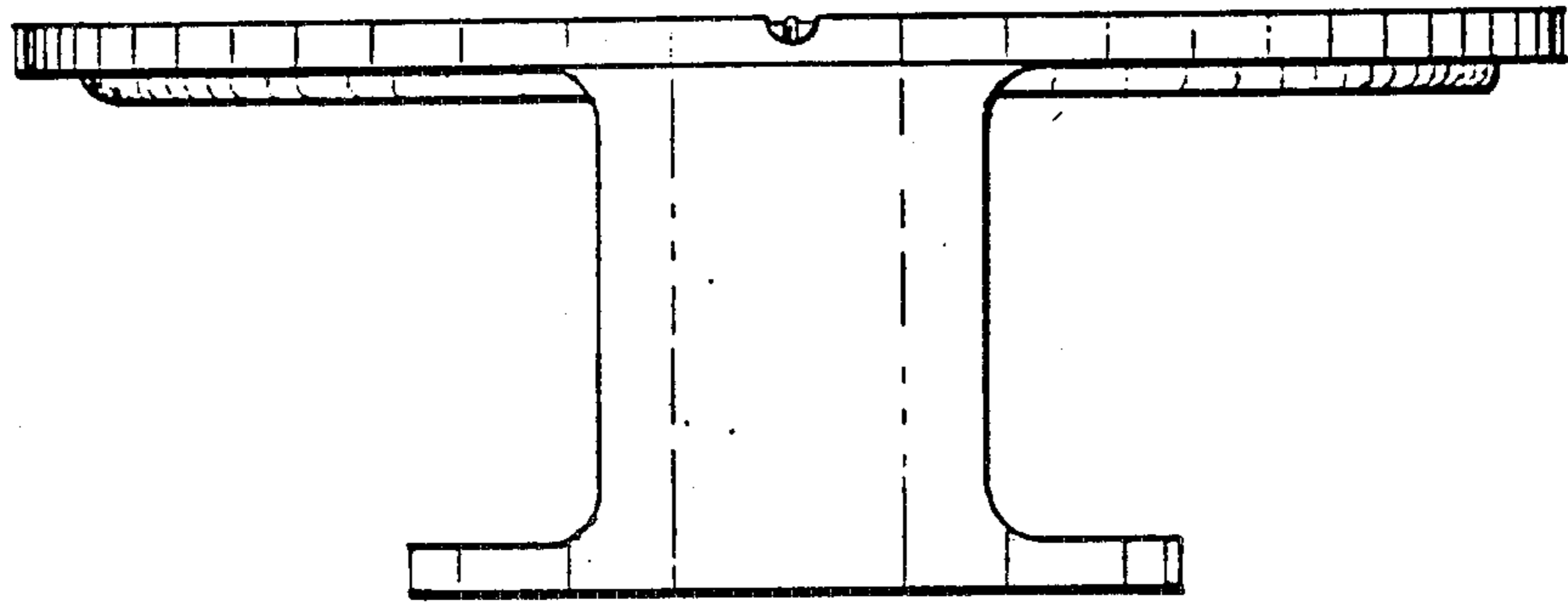


FIG. 5

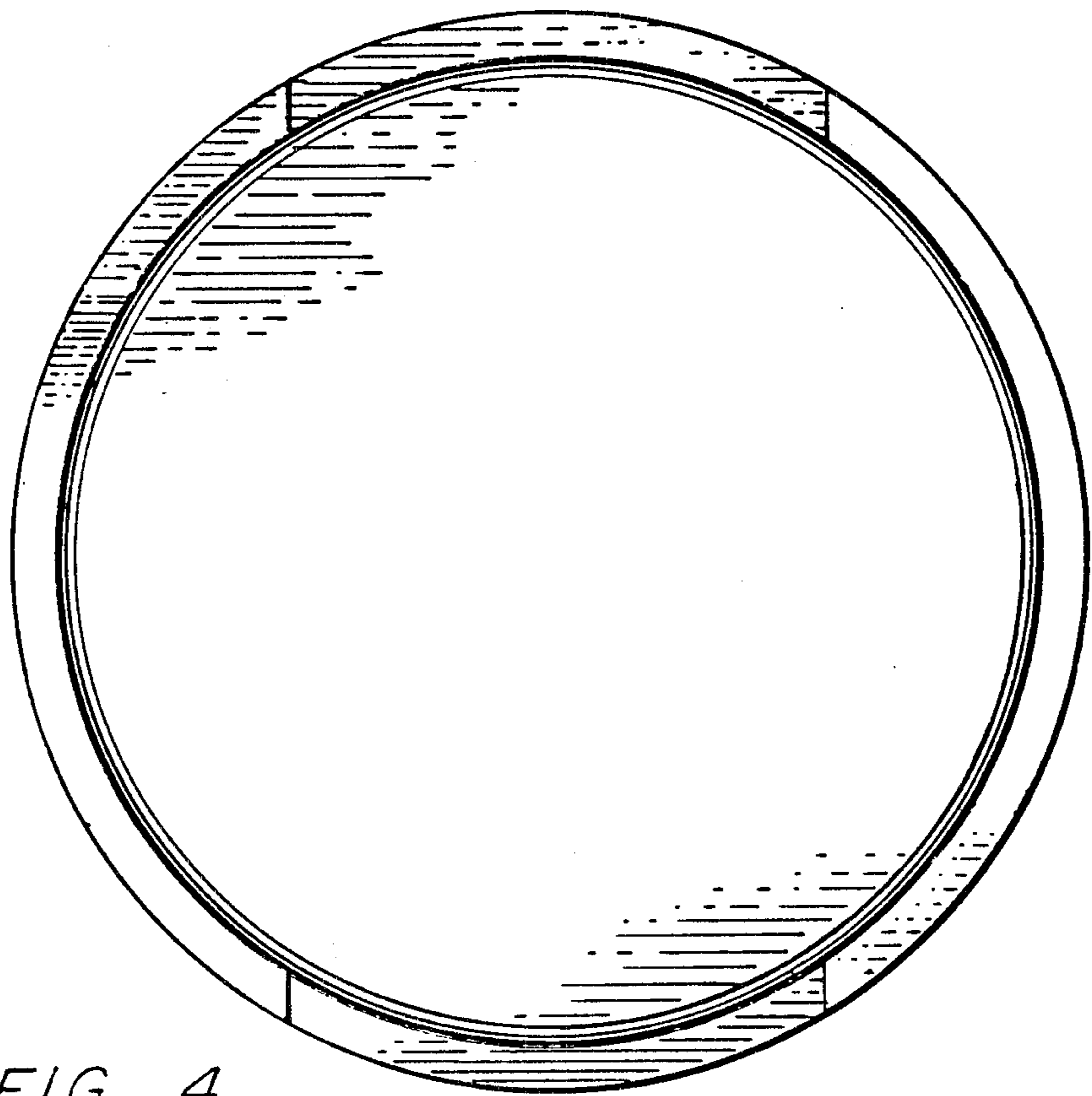


FIG. 4