

- [54] **COMBINED ROASTING RACK AND TURNTABLE FOR MICROWAVE OVEN**
- [75] Inventors: **Robert F. Bowen**, Burlington, Mass.; **Walter B. Herbst**, Evanston; **Thomas E. Salisbury**, Highland Park, both of Ill.
- [73] Assignee: **Raytheon Company**, Lexington, Mass.
- [\*\*] Term: **14 Years**
- [21] Appl. No.: **611,229**
- [22] Filed: **May 17, 1984**
- [52] U.S. Cl. .... **D7/351**
- [58] Field of Search ..... **D7/2, 337-338, D7/351, 354, 359, 387-388, 409; 99/425, 444-445, 450, 451; 219/10.55 C, 10.55 D, 10.55 E, 10.55 F**

- 4,258,630 3/1981 Jorgensen et al. .... 219/10.55 F
- 4,308,445 12/1981 Offutt ..... 219/10.55 E
- 4,330,696 5/1982 Pomeroy et al. .... 219/10.55 F
- 4,517,432 5/1985 Ishii et al. .... 219/10.55 E

**FOREIGN PATENT DOCUMENTS**

- 563215 5/1922 France ..... 44/14.1

*Primary Examiner*—Wallace R. Burke  
*Assistant Examiner*—Ruth E. Takemoto  
*Attorney, Agent, or Firm*—William R. Clark; Richard M. Sharkansky

[57] **CLAIM**

The ornamental design for a combined roasting rack and turntable for microwave oven, as shown.

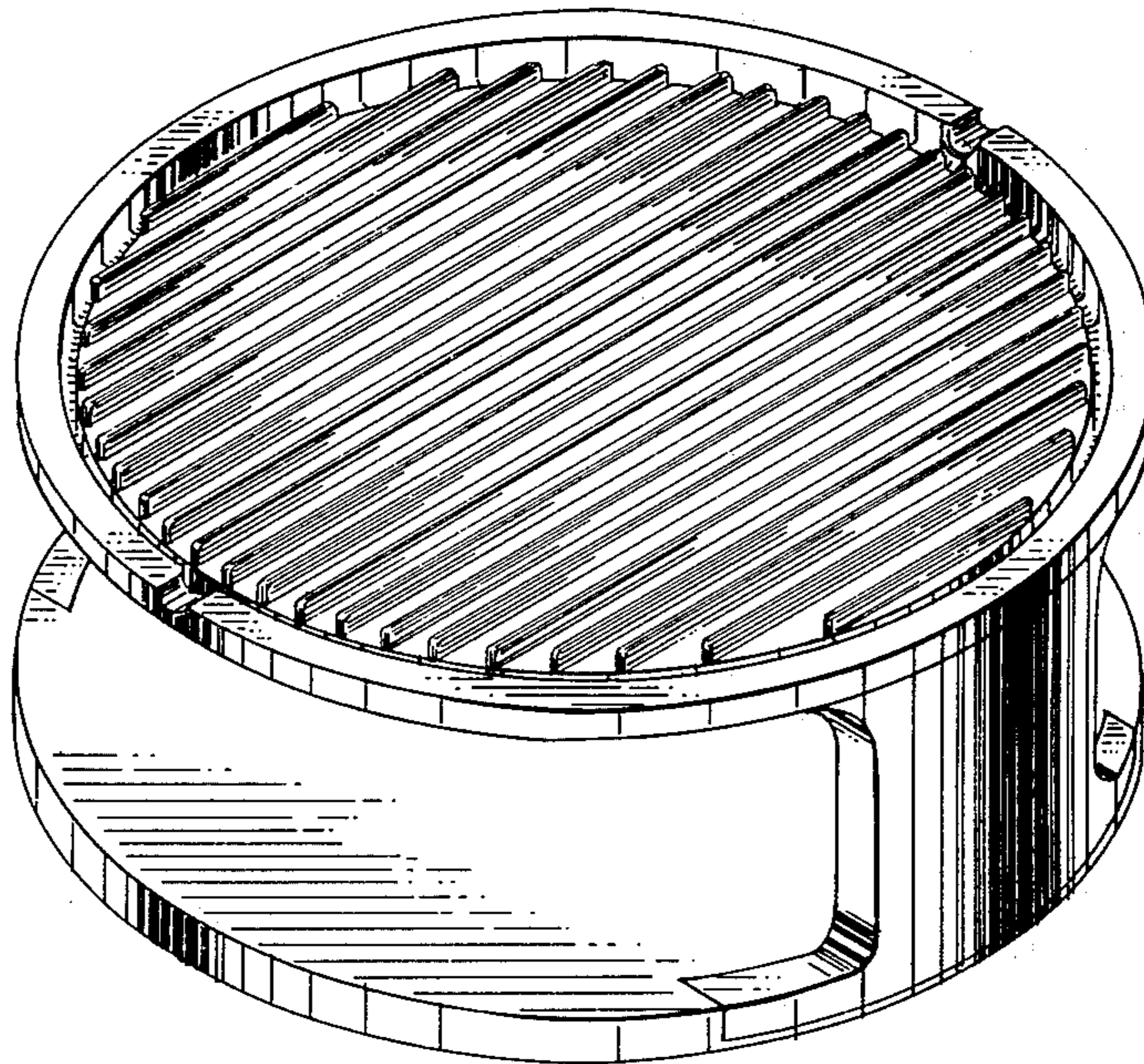
**DESCRIPTION**

FIG. 1 is a top perspective view of a two-level turntable for a microwave oven showing our new design;  
 FIG. 2 is a top plan view thereof;  
 FIG. 3 is a front elevational view thereof, the rear view being a mirror image;  
 FIG. 4 is a bottom plan view thereof; and  
 FIG. 5 is a side elevational view thereof.

[56] **References Cited**

**U.S. PATENT DOCUMENTS**

- 4,219,715 8/1980 Mandle et al. .... 219/10.55 E
- 4,254,319 3/1981 Beh et al. .... 219/10.55 E





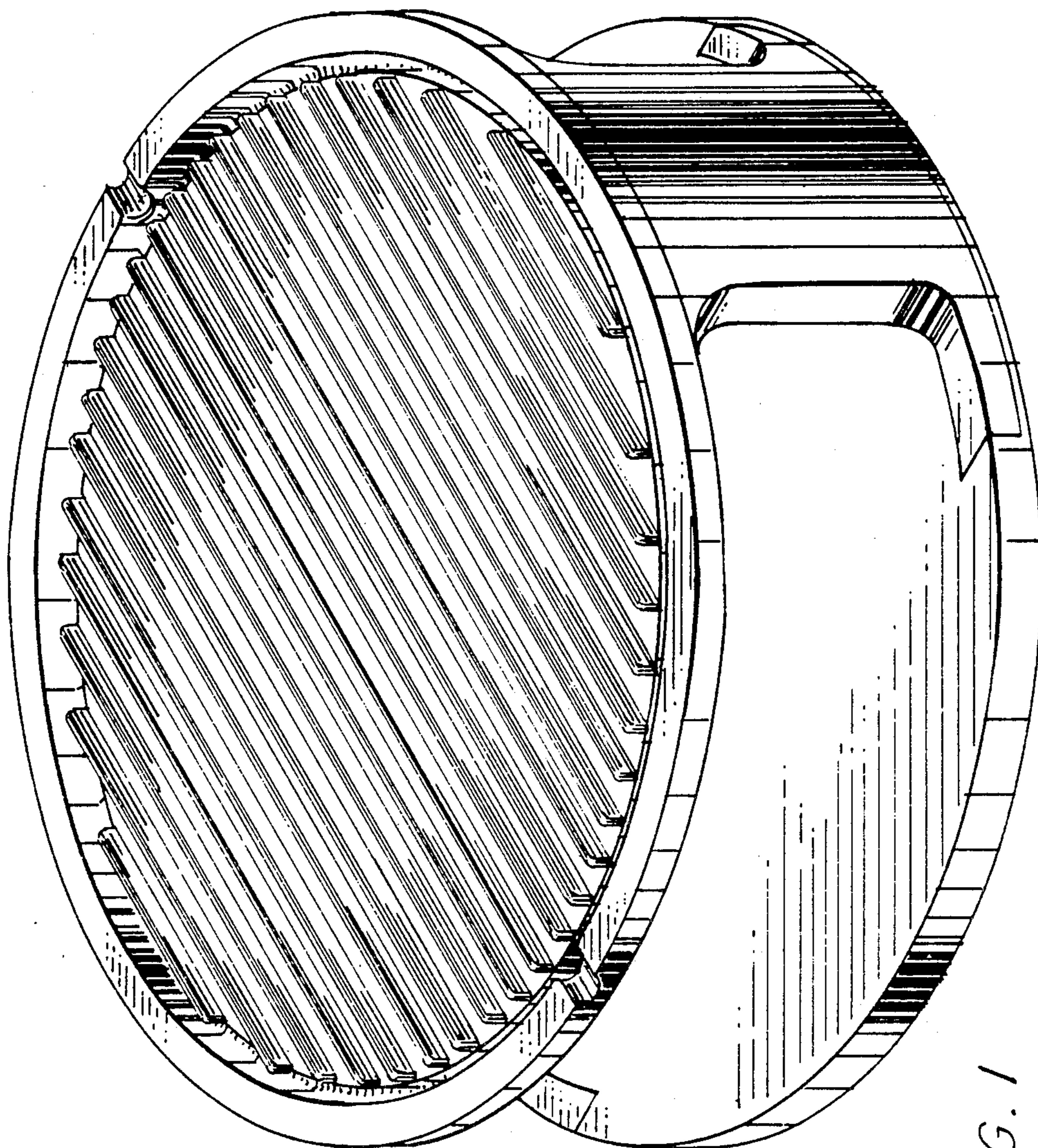


FIG. 1

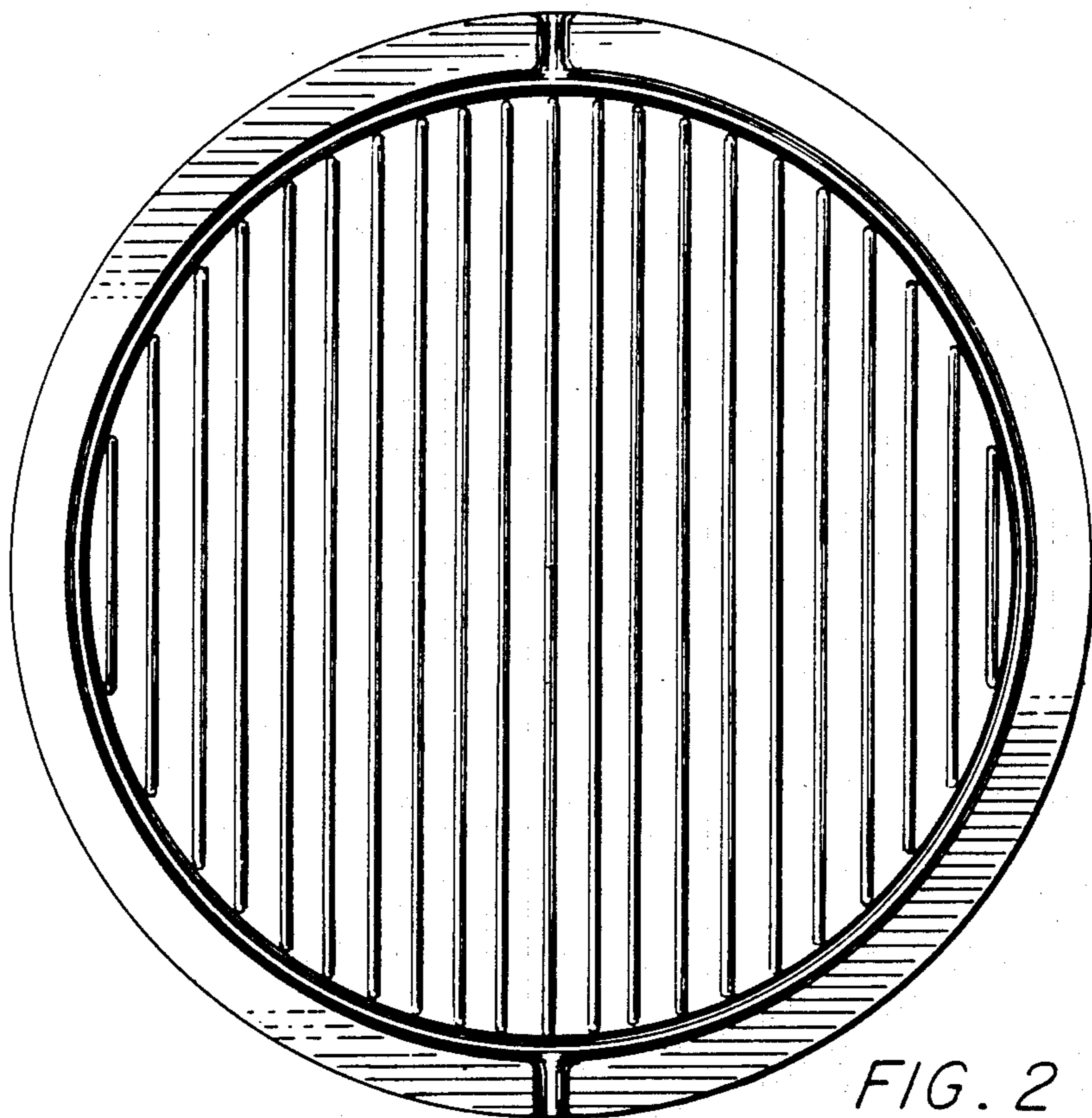


FIG. 2

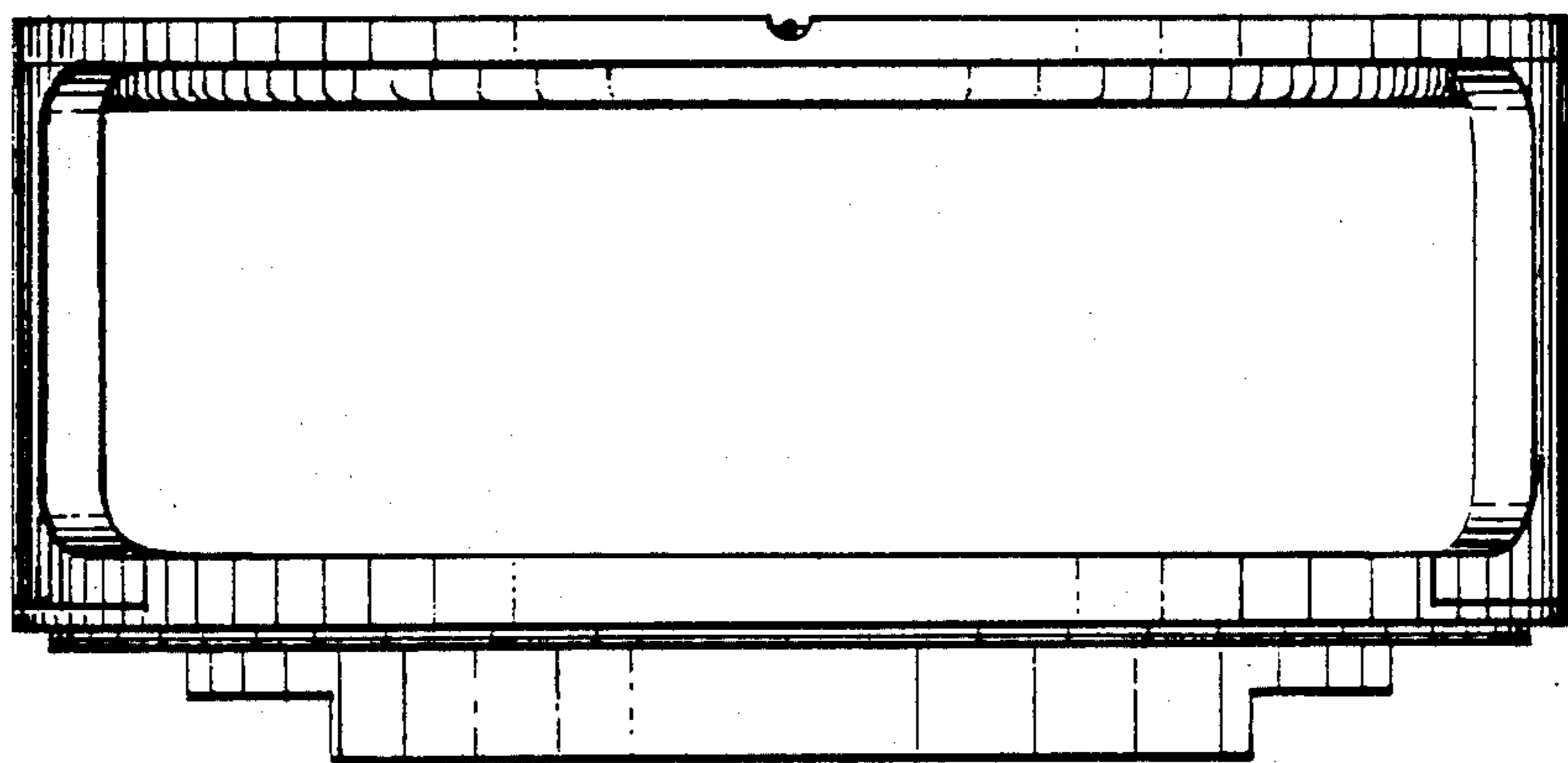


FIG. 3



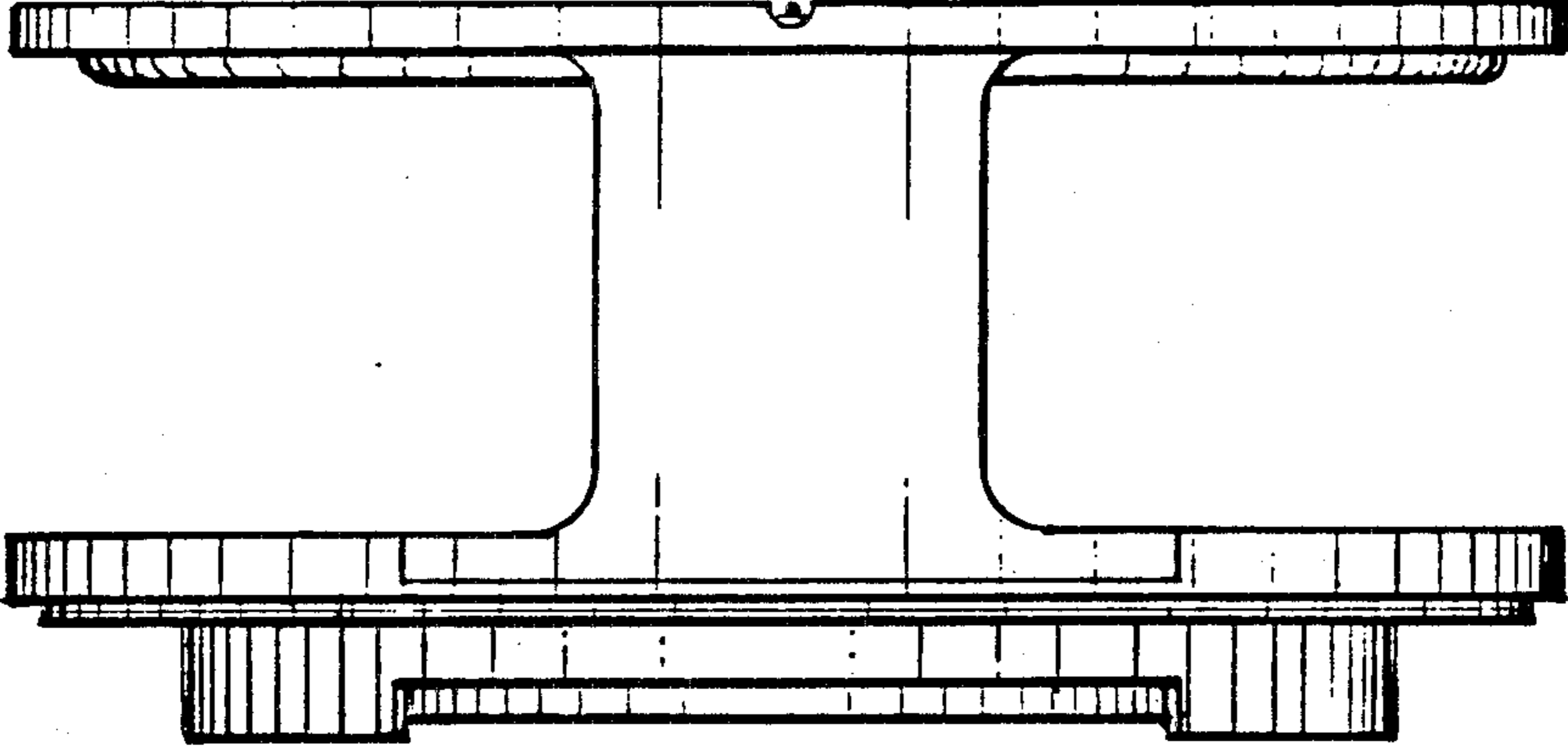


FIG. 5

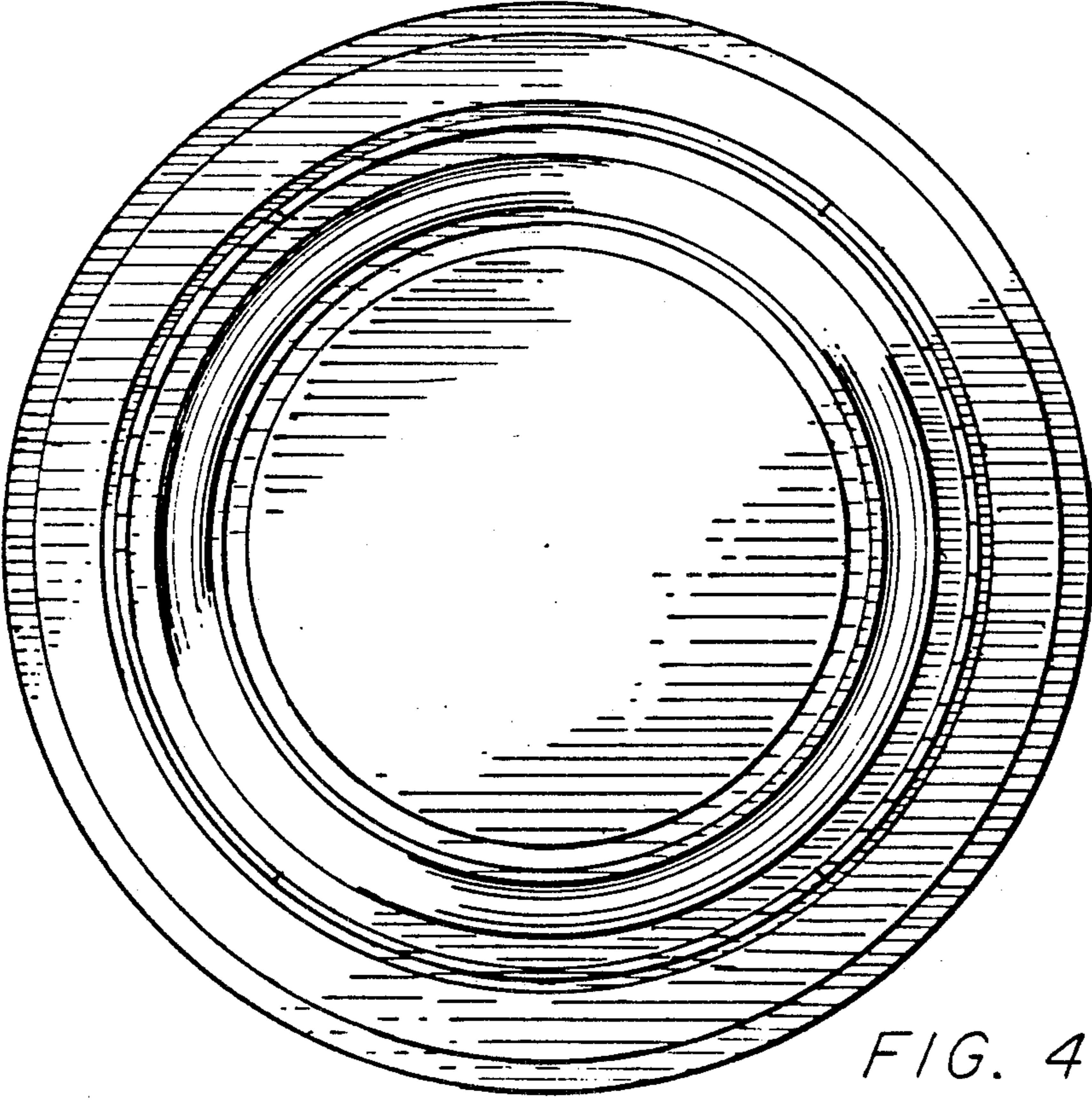


FIG. 4