

[54] STORAGE RACK FOR FLOPPY DISKS

[75] Inventors: Michael J. Szablak; Glen E. Tomblin, both of Winchester, Va.

[73] Assignee: Rubbermaid Commercial Products Inc., Winchester, Va.

[\*\*] Term: 14 Years

[21] Appl. No.: 570,896

[22] Filed: Jan. 16, 1984

[52] U.S. Cl. .... D6/553; D6/573

[58] Field of Search ..... D6/310, 314, 320-323, D6/512, 513, 515, 517, 524, 525, 526, 536, 540, 552, 553, 546, 555, 562, 566, 567, 569, 570, 571, 573, 574, 559, 462, 463; 206/77.1, 315 R, 361, 444; 211/13, 32, 35, 38, 40, 41, 46, 48, 592, 60.1, 68, 70.5, 70.6, 71, 72, 74, 75, 87, 88, 104, 105, 106, 113, 117, 126, 133, 181; 248/75, 111, 158, 309.1, 312, 312.1, 313, 314

[56] References Cited

U.S. PATENT DOCUMENTS

D. 230,675	3/1974	Willins .....	D6/526
1,764,754	6/1930	Scott .....	211/40
3,090,491	5/1963	Bohr .....	211/40
4,502,596	5/1985	Saetre et al. ....	206/444
4,541,527	9/1985	Nagel .....	206/444

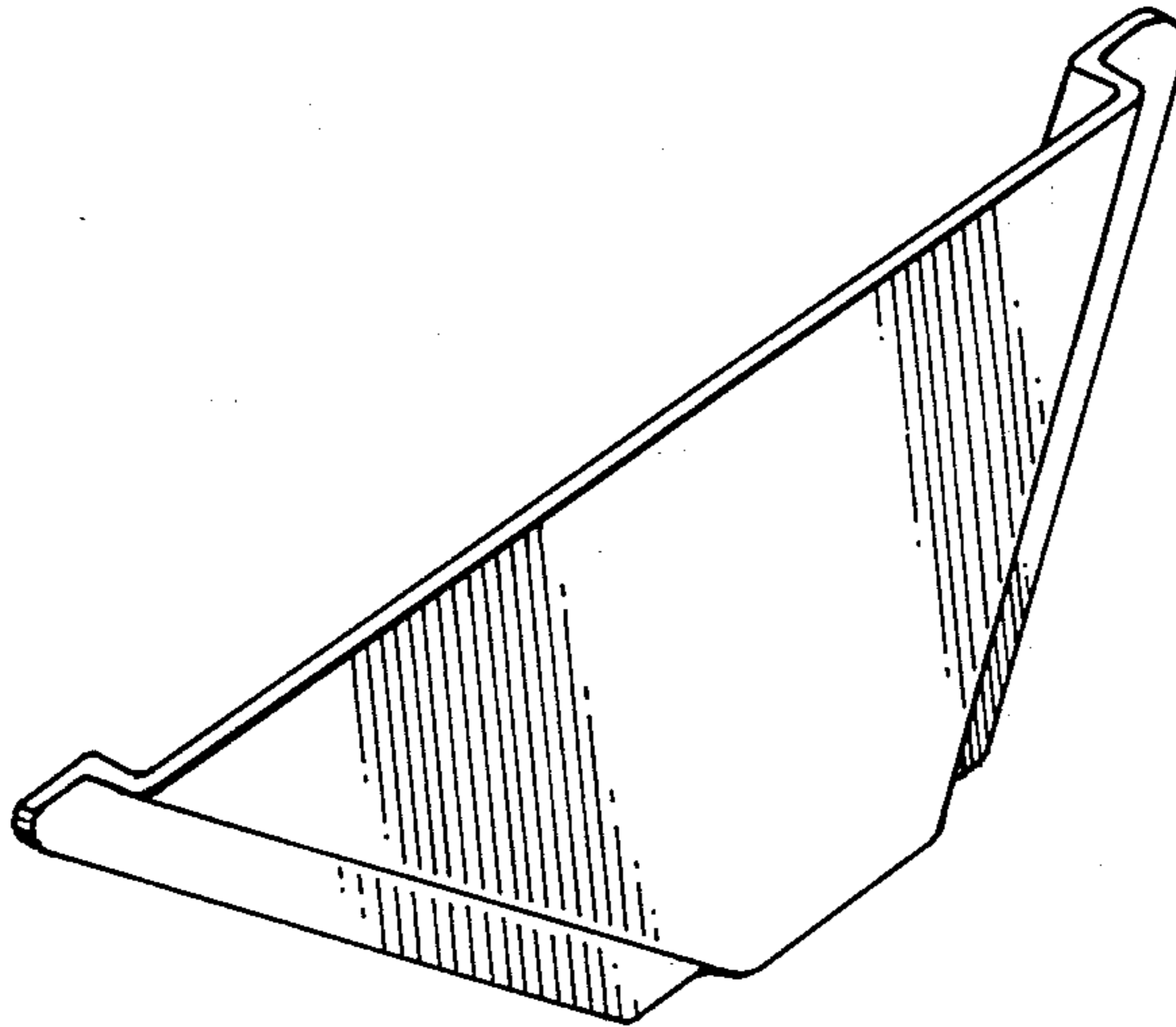
Primary Examiner—B. J. Bullock  
Assistant Examiner—Suzanne N. Gitlin  
Attorney, Agent, or Firm—Renner, Kenner, Greive, Bobak & Taylor

[57] CLAIM

The ornamental design for a storage rack for floppy disks, as shown and described.

DESCRIPTION

FIG. 1 is a reduced perspective view of a storage rack for floppy disks embodying our new design.  
FIG. 2 is a front elevational view thereof.  
FIG. 3 is a rear elevational view thereof.  
FIG. 4 is a top plan view thereof.  
FIG. 5 is a bottom plan view thereof.  
FIG. 6 is an end elevational view taken substantially along line 6—6 of FIG. 2.



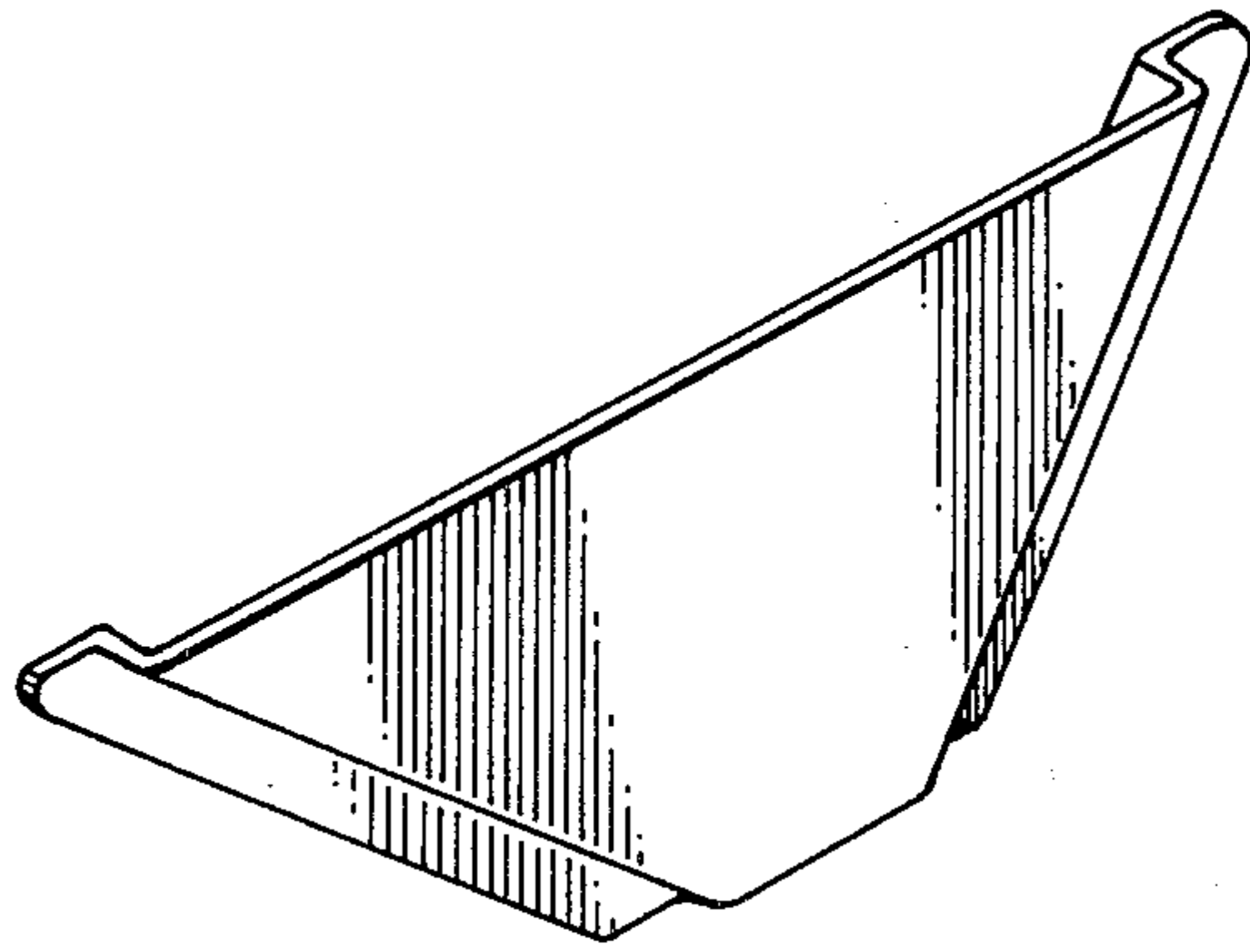


FIG. 1

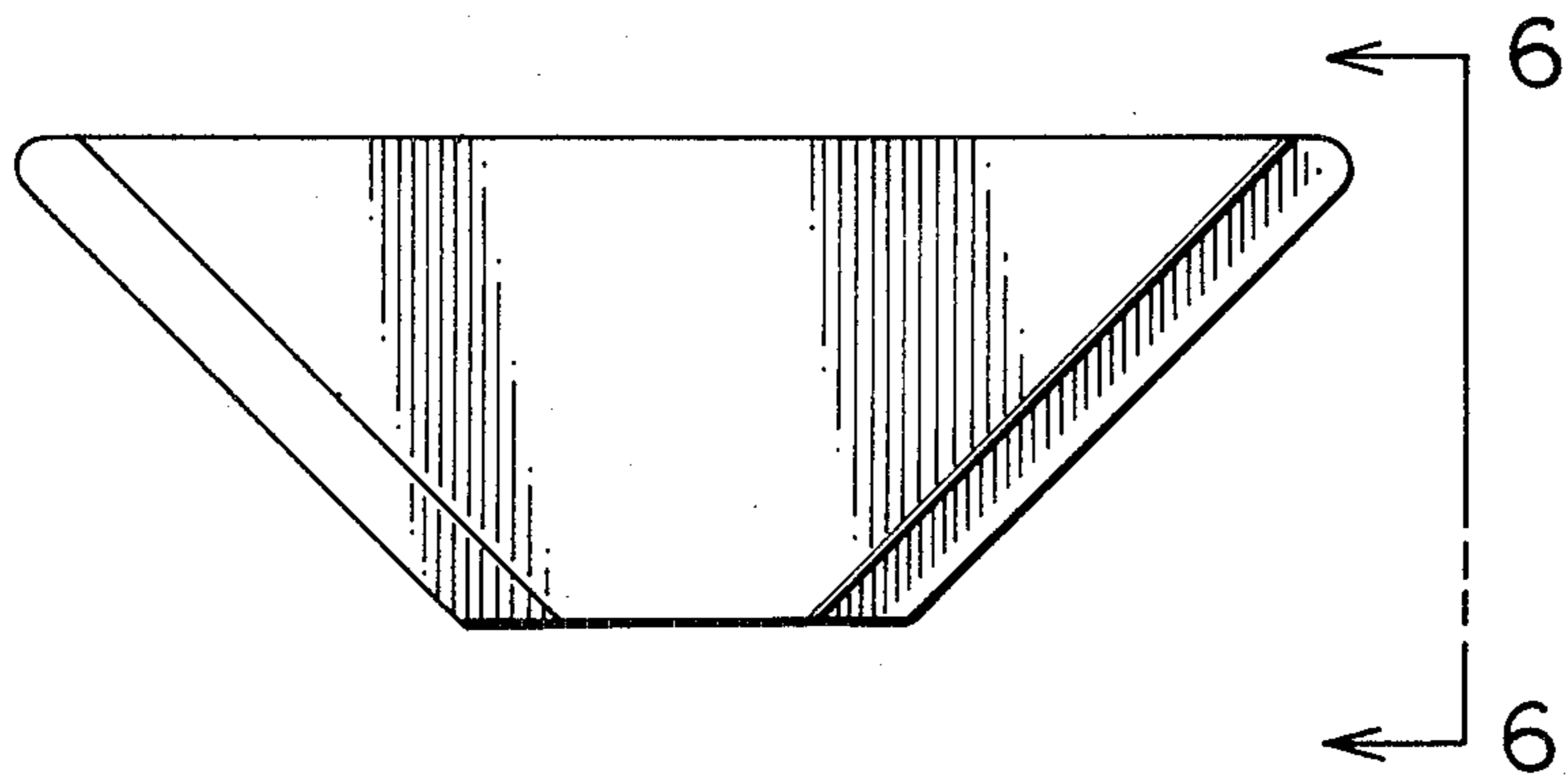


FIG. 2

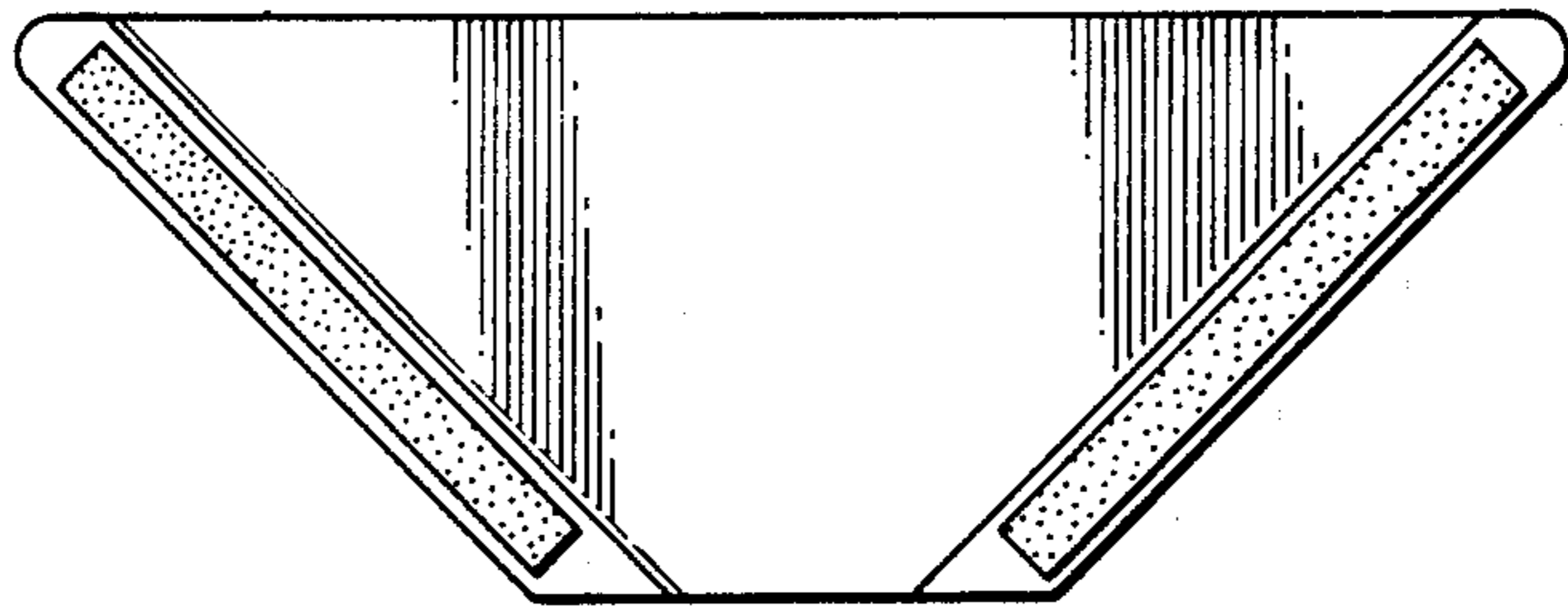


FIG. 3



FIG. 4



FIG. 5



FIG. 6