

[54] DETACHABLE TRAY

[75] Inventor: Richard C. Wellington, Woodcliff Lake, N.J.

[73] Assignee: Wellington Home Products, Paterson, N.J.

[**] Term: 14 Years

[21] Appl. No.: 775,721

[22] Filed: Sep. 13, 1985

Related U.S. Application Data

- [62] Division of Ser. No. 544,220, Oct. 21, 1983.
- [52] U.S. Cl. D6/500; D6/462; D6/509; D6/511; D34/42
- [58] Field of Search D6/500, 537, 566, 509, D6/510, 462; D7/37, 38; D34/42; 220/19; 211/181

References Cited

U.S. PATENT DOCUMENTS

D. 68,538	10/1925	Moineau	D6/537
D. 121,813	8/1940	Isenberg	D6/537
D. 157,571	3/1950	Dennis	D34/42
D. 158,567	5/1950	Engstrom	D34/42
D. 194,213	12/1962	Bargen et al.	D6/566
D. 219,205	11/1970	Propst et al.	D34/42
D. 237,674	11/1975	Seltzer	D6/566
D. 242,888	1/1977	Mazie et al.	D6/566
D. 246,362	11/1977	Levin	D6/500 X
3,144,161	8/1964	Glenny	D34/42 X

OTHER PUBLICATIONS

Washburn Catalog No. K-228, p. 41, Androck Fry Pan No. 1507.

Primary Examiner—Bruce W. Dunkins
Attorney, Agent, or Firm—Lerner, David, Littenberg, Krumholz & Mentlik

CLAIM

The design is for a detachable tray, substantially as shown and described.

DESCRIPTION

FIG. 1 is a front elevational view of a detachable tray showing my design;
 FIG. 2 is a rear elevational view of the detachable tray of FIG. 1;
 FIG. 3 is a left-side elevational view of the detachable tray of FIG. 1;
 FIG. 4 is a right-side elevational view of the detachable tray of FIG. 1;
 FIG. 5 is a top plan view of the detachable tray of FIG. 1;
 FIG. 6 is a bottom plan view of the detachable tray of FIG. 1;
 FIG. 7 is a front elevational view of a second embodiment of the detachable tray of the present invention;
 FIG. 8 is a rear elevational view of the detachable tray of FIG. 7;
 FIG. 9 is a left-side elevational view of the detachable tray of FIG. 7;
 FIG. 10 is a right elevational view of the detachable tray of FIG. 7;
 FIG. 11 is a top plan view of the detachable tray of FIG. 7; and
 FIG. 12 is a bottom plan view the detachable tray of FIG. 7.

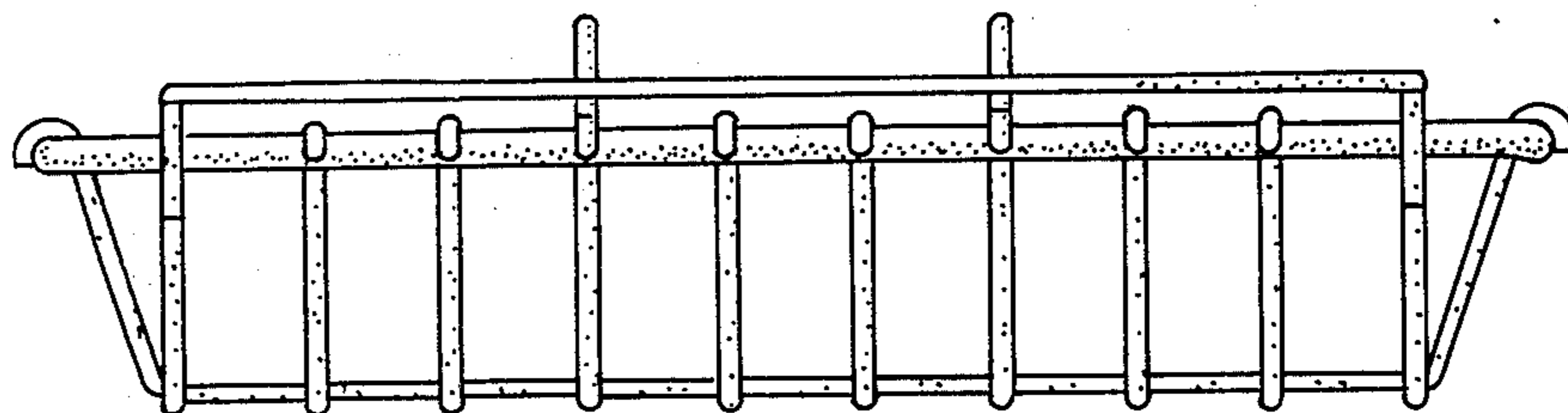


FIG. 1

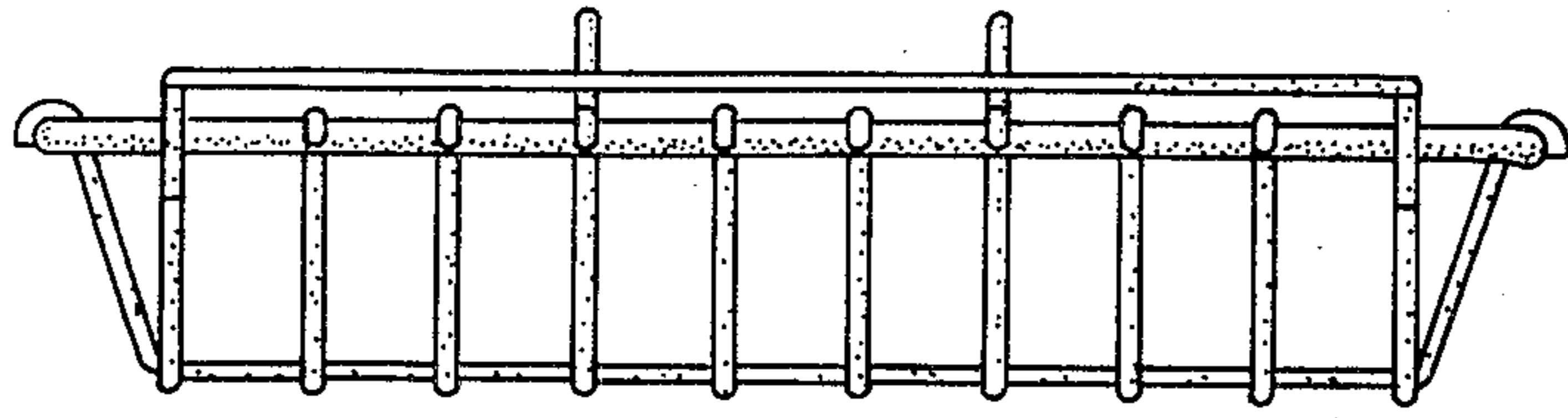


FIG. 2

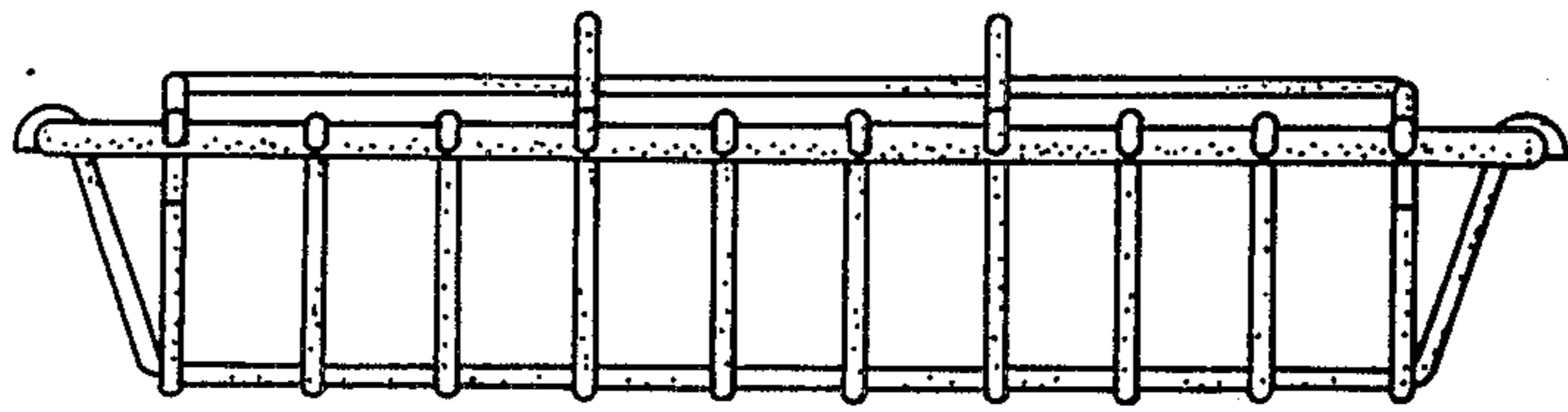


FIG. 3

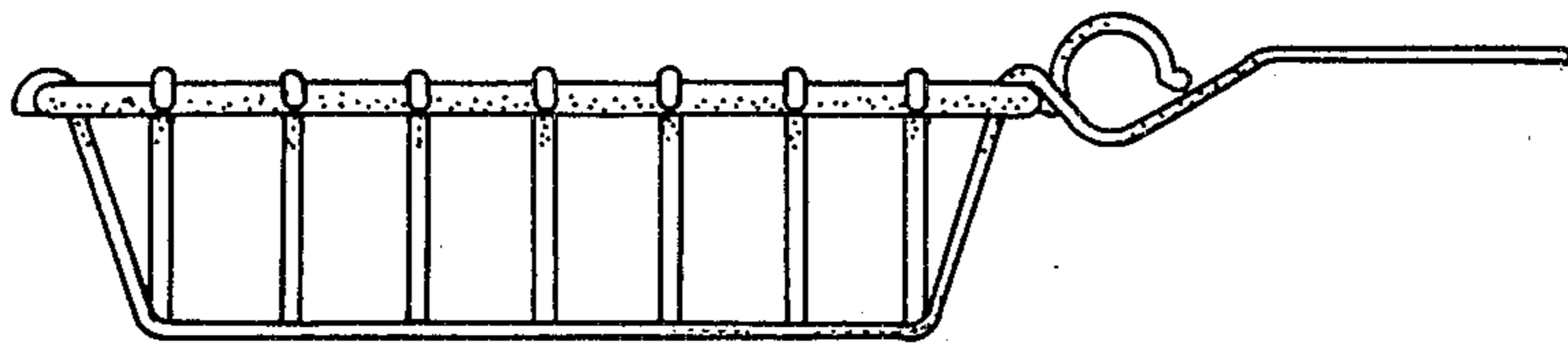


FIG. 4

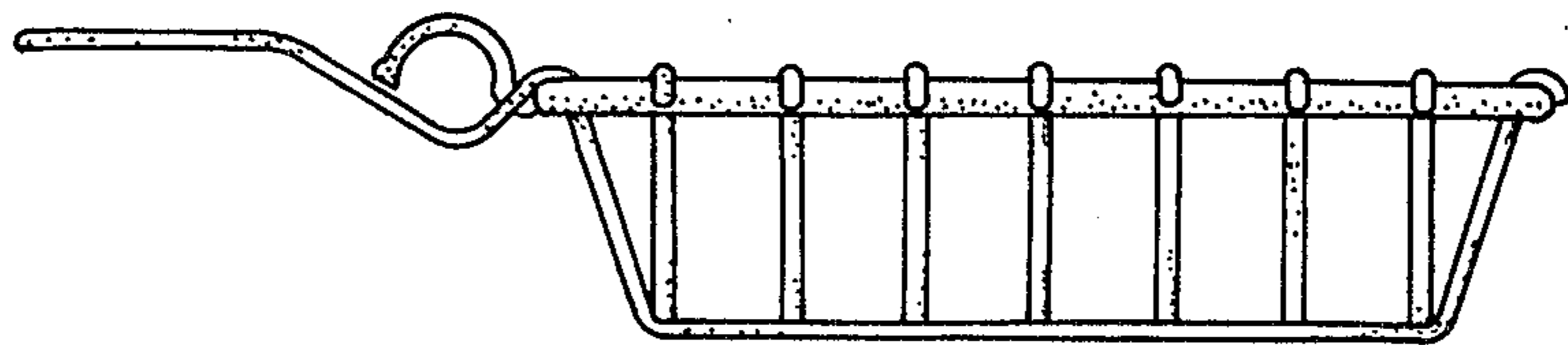


FIG. 5

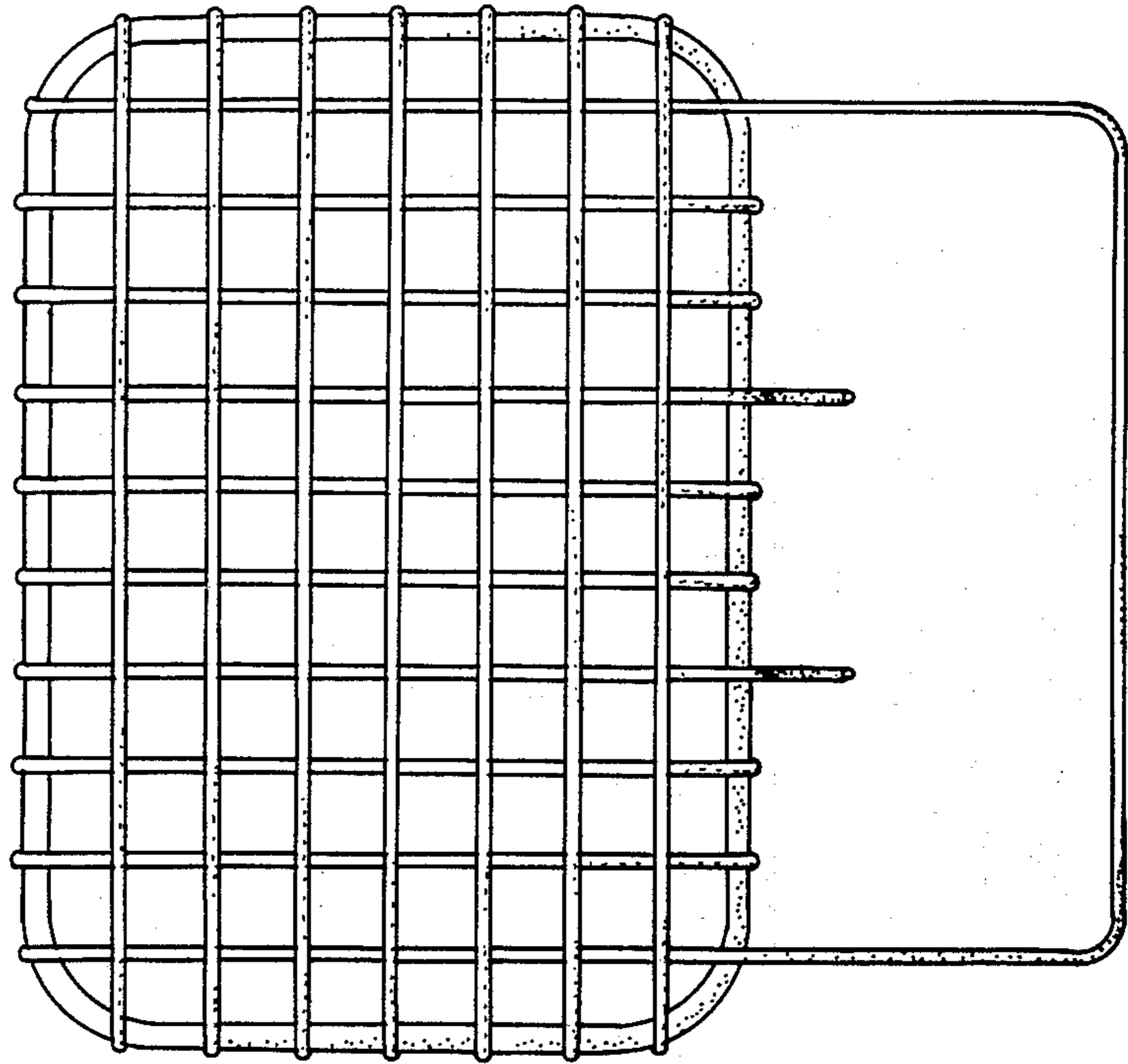


FIG. 6

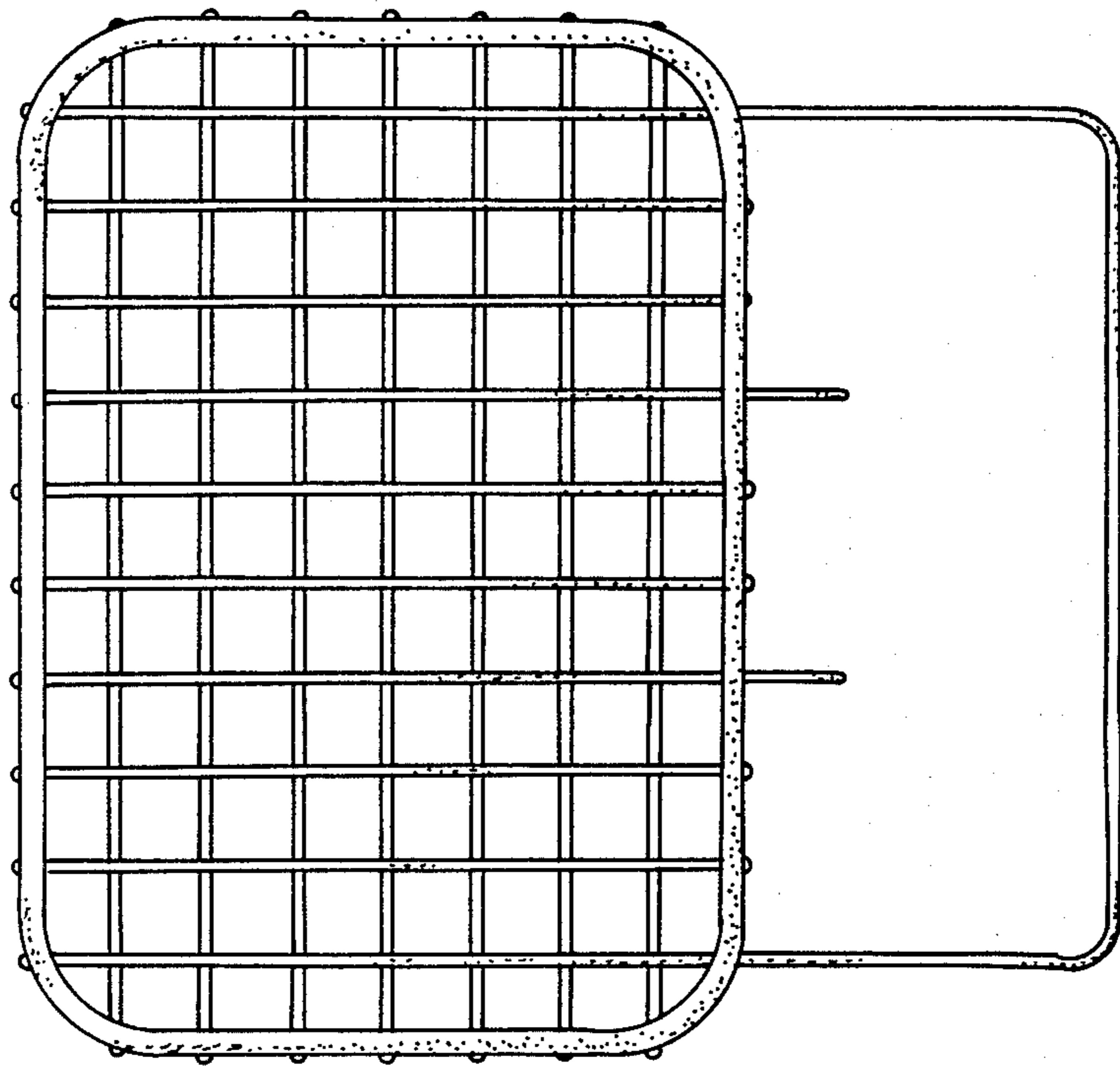


FIG. 7

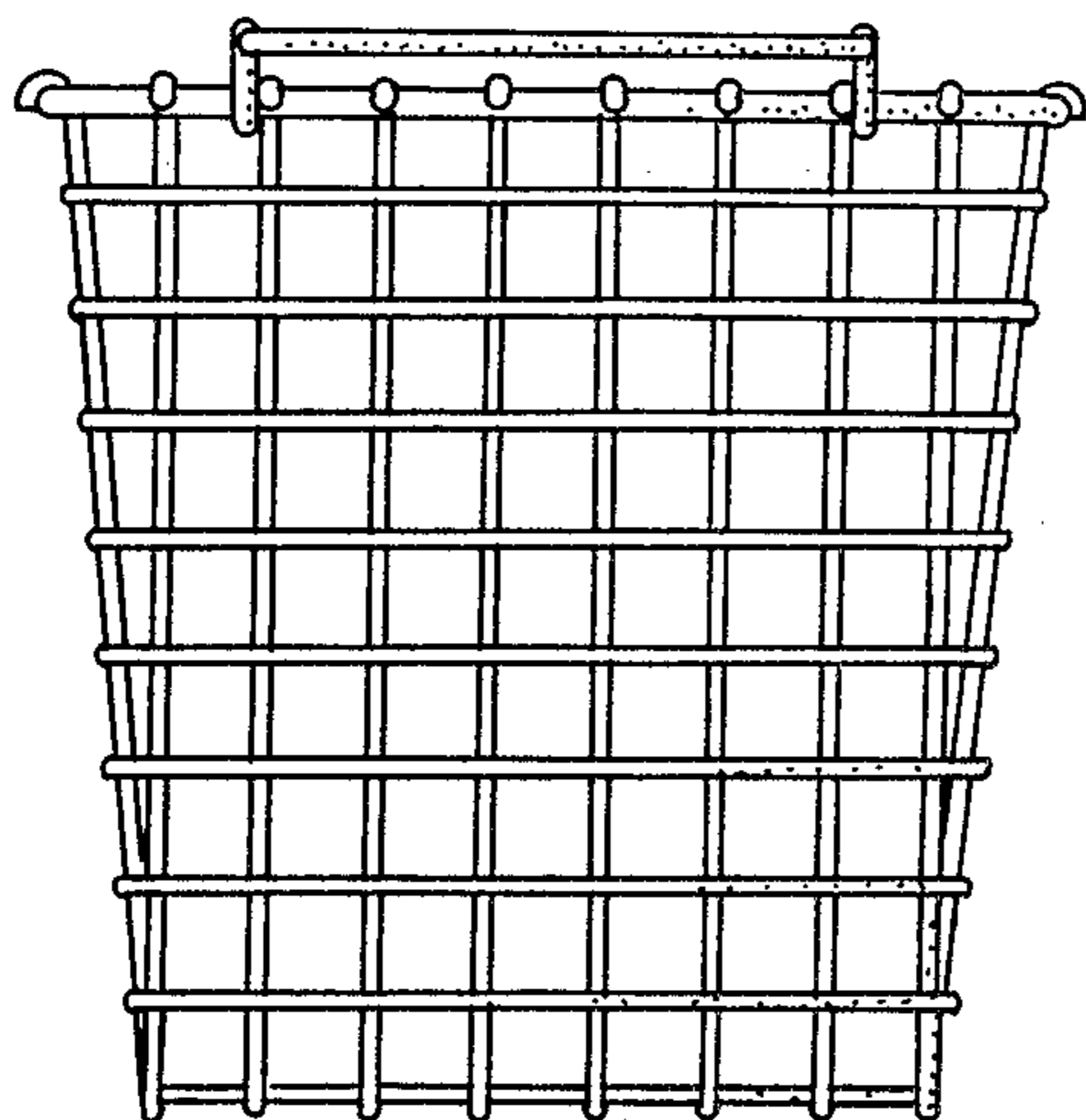


FIG. 8

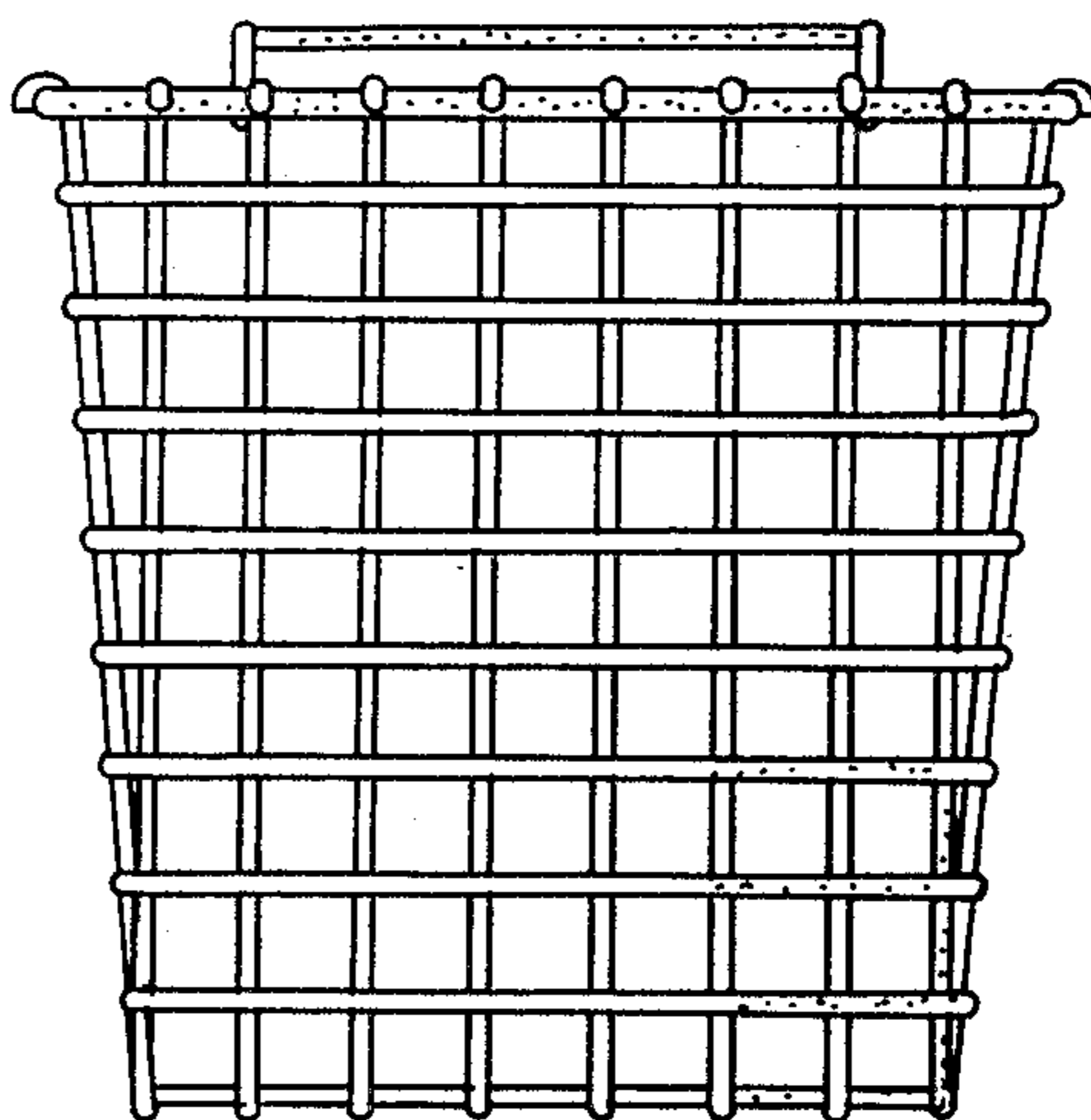


FIG. 9

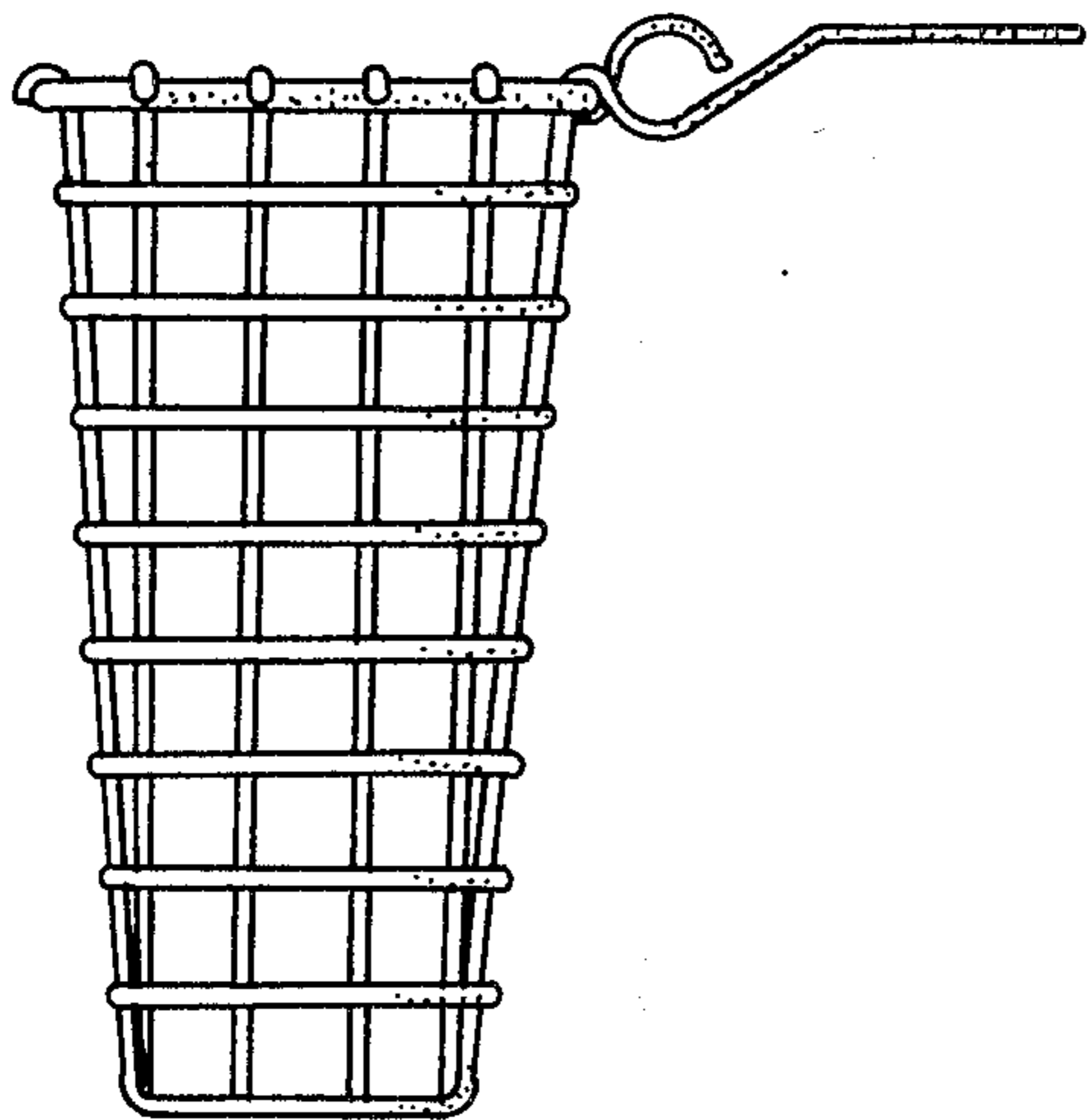


FIG. 10

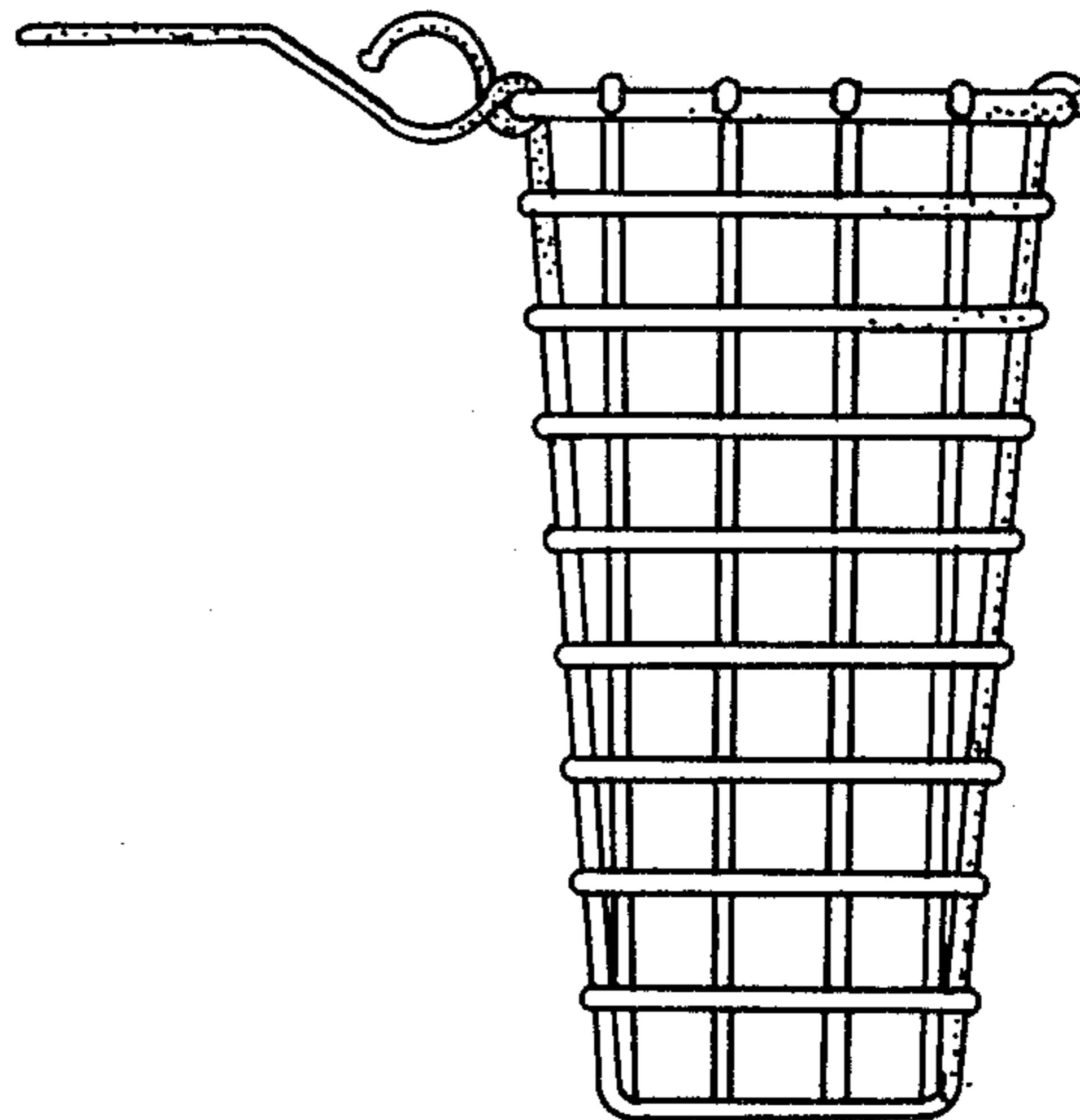


FIG. 11

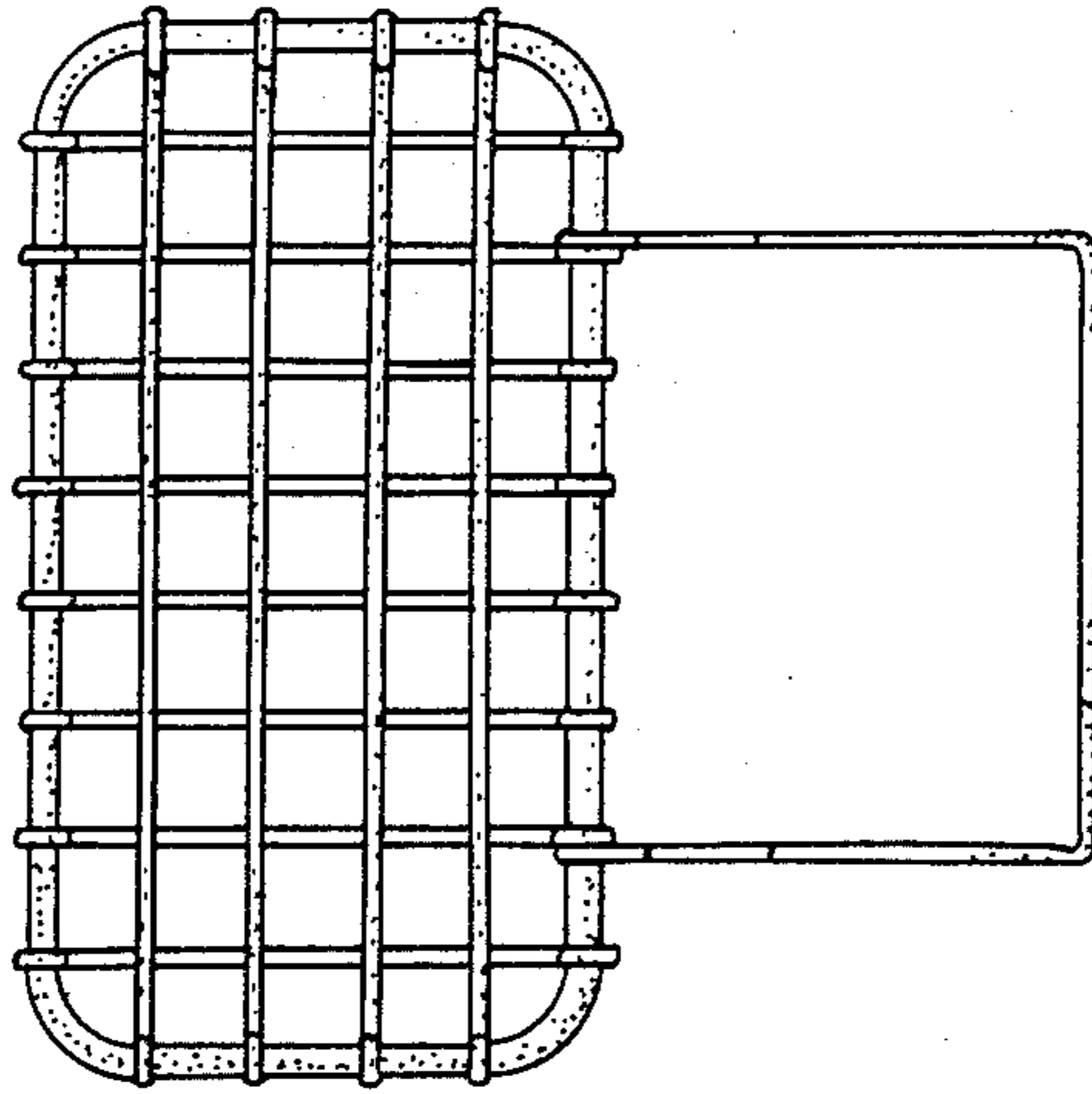


FIG. 12

