

[54] **DIRECTORY SHELF**

[75] **Inventor: James M. Bosland, Wayne, N.J.**

[73] **Assignee: Ketcham & McDougall, Inc.,
Roseland, N.J.**

[**] **Term: 14 Years**

[21] **Appl. No.: 608,732**

[22] **Filed: May 10, 1984**

[52] **U.S. Cl. D6/477; D6/479;
D19/92**

[58] **Field of Search D6/449, 475, 476, 477,
D6/479, 553, 555, 573, 574; D3/75; D19/92;
D9/341, 431, 432; 211/13; 108/92, 108**

[56] **References Cited**

U.S. PATENT DOCUMENTS

D. 3,894	3/1870	Jeraula et al.	D9/432
D. 56,992	1/1921	Roberts	D6/476
D. 234,894	4/1975	Vandenbeuck	D6/479
D. 236,777	9/1975	Loomis	D6/479
4,478,339	10/1984	Herr et al.	D19/92 X

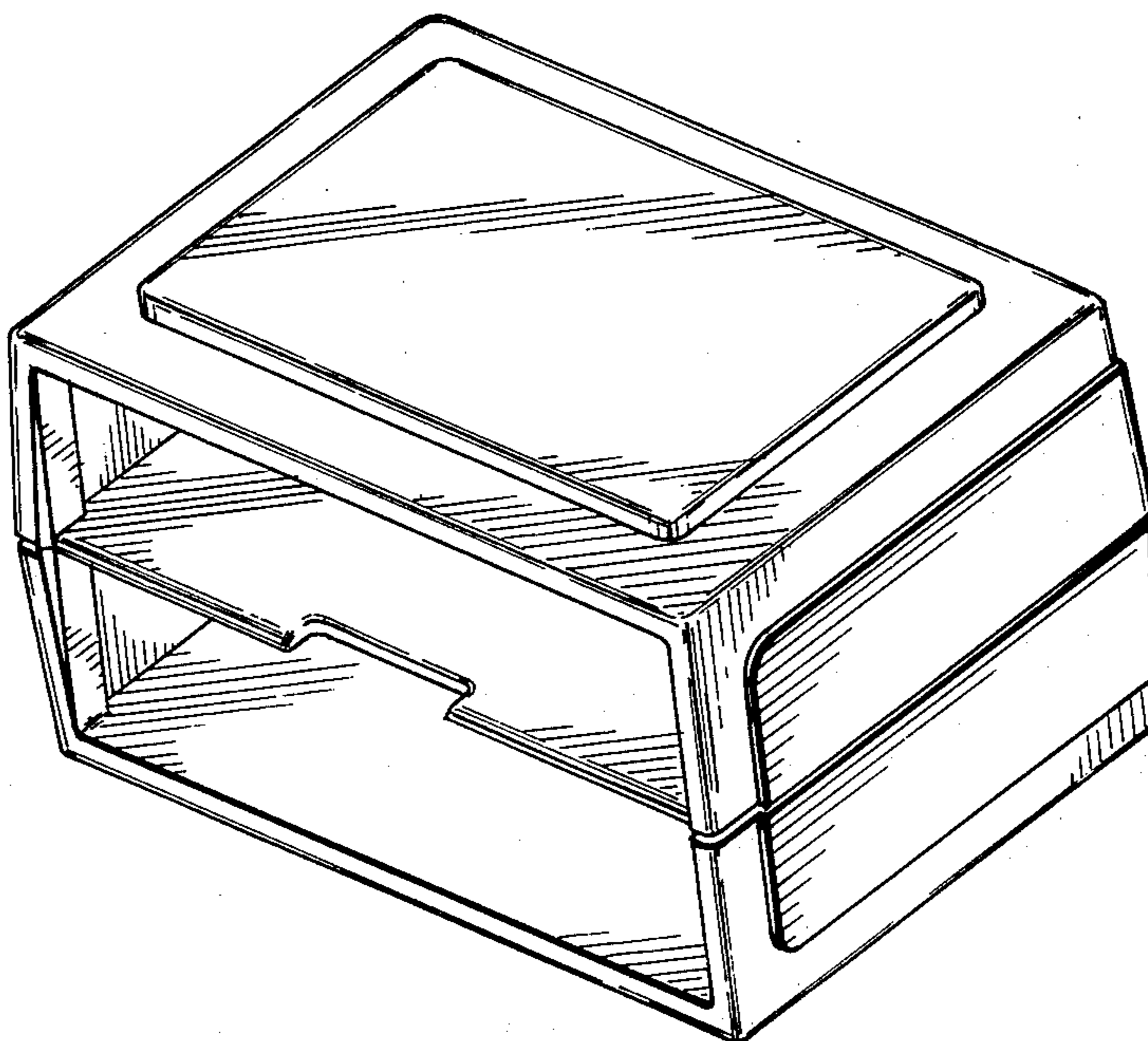
Primary Examiner—Carmen H. Vales
Attorney, Agent, or Firm—Edwin E. Greigg

[57] **CLAIM**

The ornamental design for a directory shelf, as shown.

DESCRIPTION

FIG. 1 is a front perspective view of a directory shelf showing my new design;
FIG. 2 is a rear perspective view thereof;
FIG. 3 is a front elevational view thereof; and
FIG. 4 is a bottom plan view thereof.



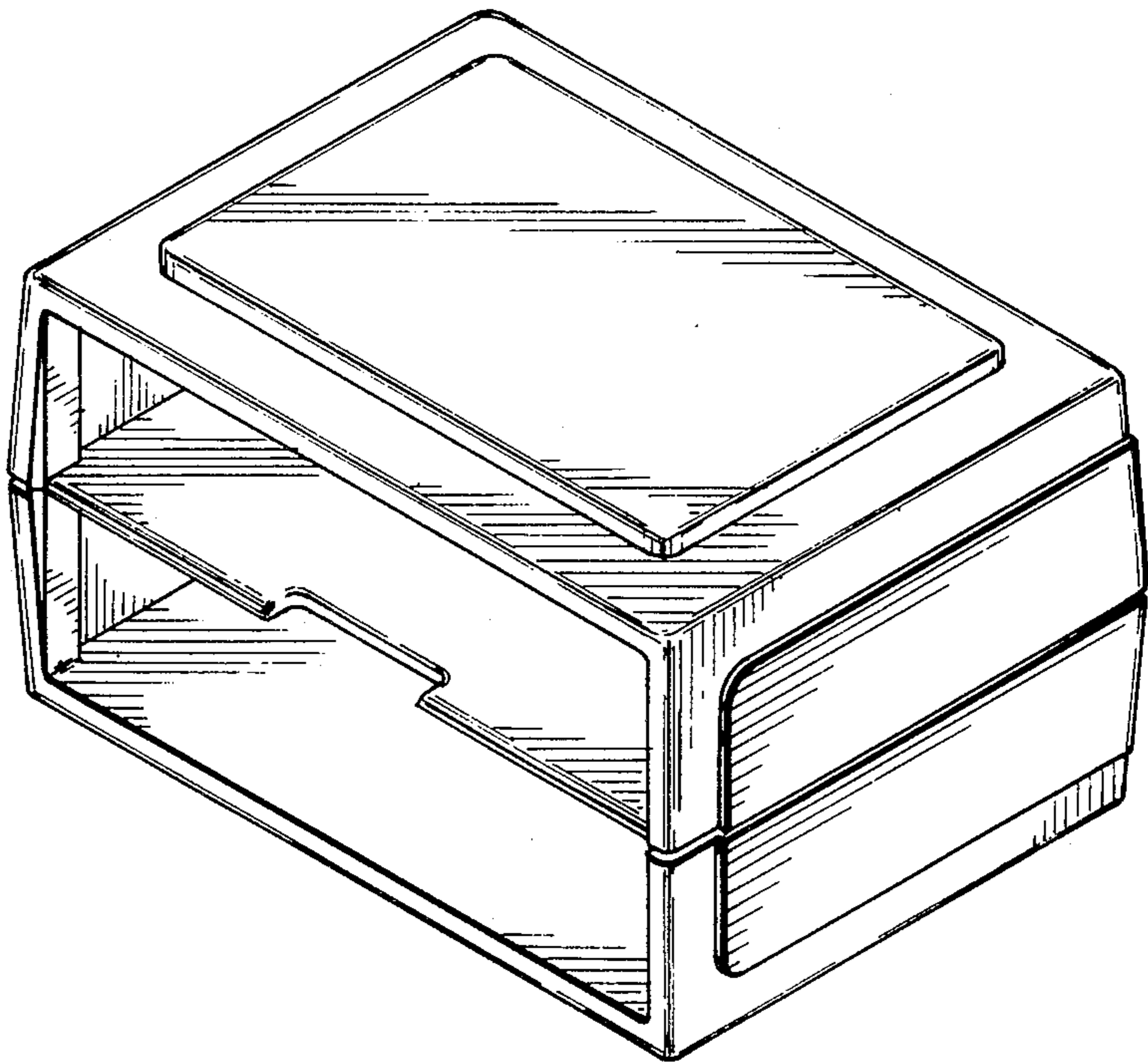


FIG 1

FIG 2

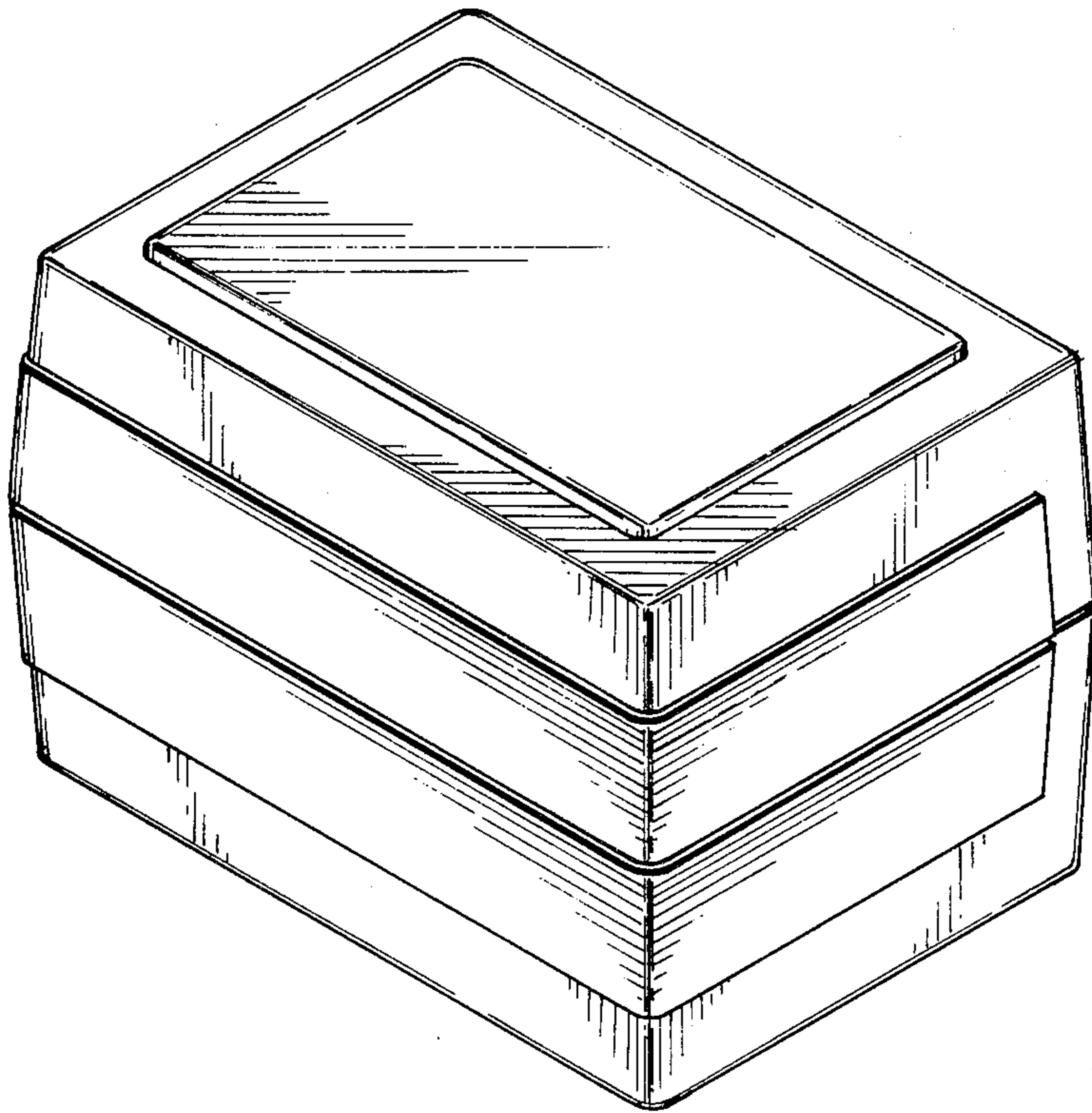


FIG 3

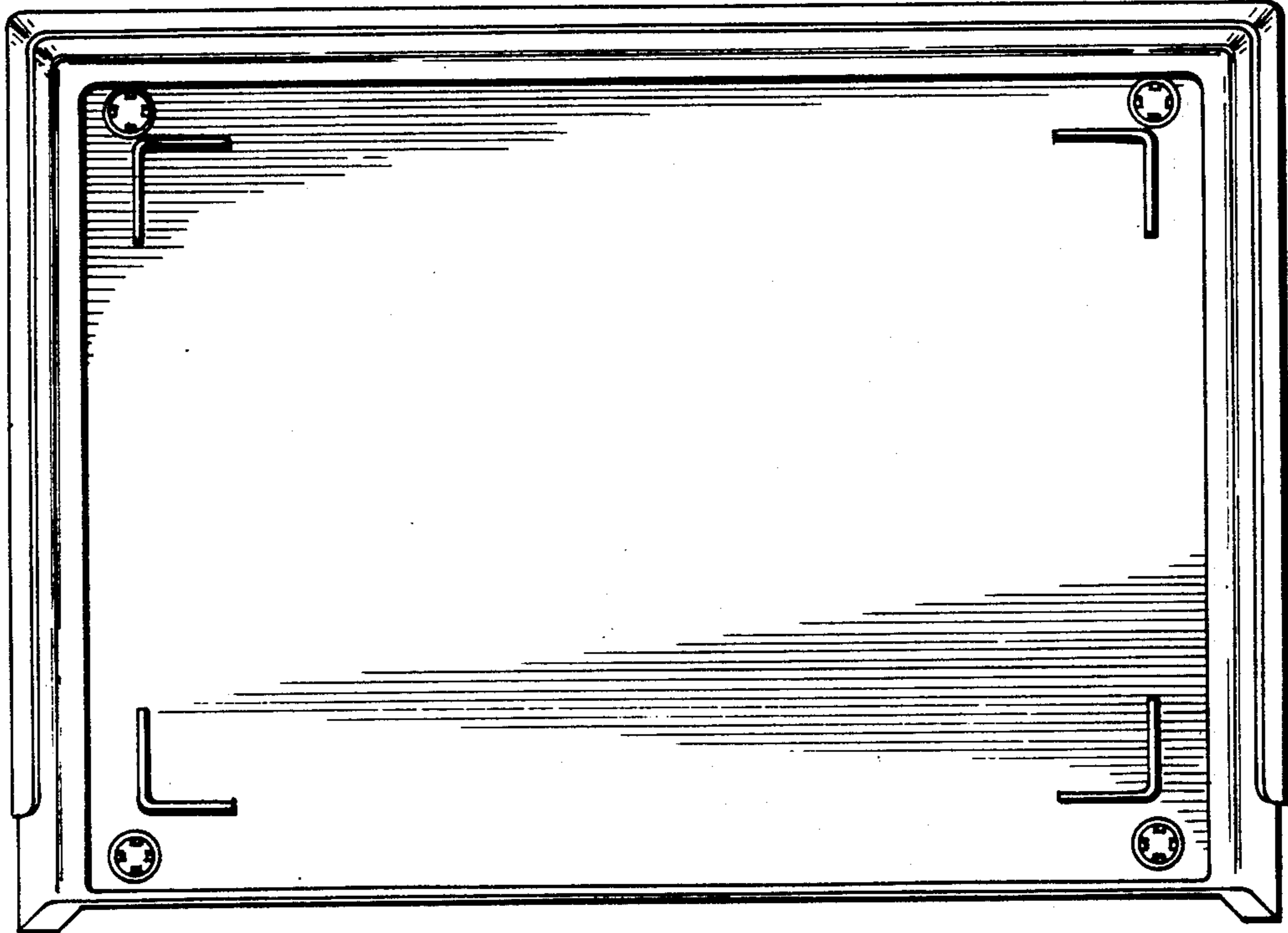
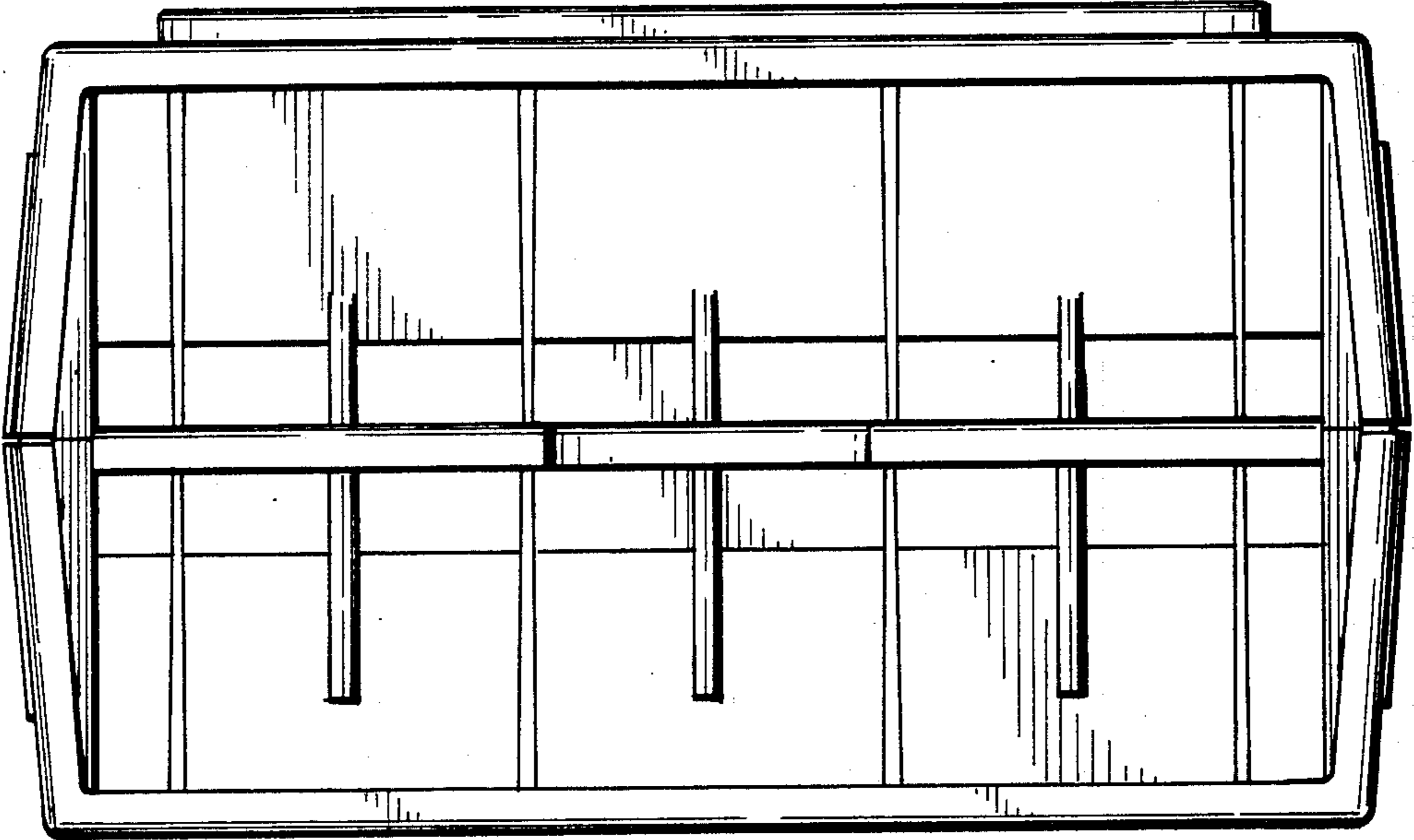


FIG 4