

[54] COMBINED DISPLAY AND STORAGE CASE FOR PENS AND THE LIKE

D. 161,956 2/1951 Newburger D6/471
D. 199,709 12/1964 Harrison D6/472
D. 254,044 1/1980 Lawson D6/474 X
D. 271,239 11/1983 Lemieux et al. D9/341 X

[75] Inventor: William C. Perchak, Chicago, Ill.

Primary Examiner—Carmen H. Vales
Attorney, Agent, or Firm—Lee, Smith & Zickert

[73] Assignee: Plastofilm Industries, Inc., Wheaton, Ill.

[**] Term: 14 Years

[57] CLAIM

[21] Appl. No.: 579,373

The ornamental design for a combined display and storage case for pens and the like, substantially as shown and described.

[22] Filed: Feb. 13, 1984

[52] U.S. Cl. D6/472; D9/341

DESCRIPTION

[58] Field of Search D6/470, 471, 472, 476, D6/473, 474, 475; D9/341; 206/214, 224, 38, 458, 457; 312/114, 117

FIG. 1 is a perspective view of a combined display and storage case for pens and the like showing my new design;

FIG. 2 is a front elevational view thereof;

FIG. 3 is right side elevational view, the left side being a mirror image thereof;

FIG. 4 is top plan view taken in the direction of the arrows in FIG. 3;

FIG. 5 is a bottom perspective view thereof; and

FIG. 6 is rear elevational view thereof.

[56] References Cited

U.S. PATENT DOCUMENTS

D. 30,889 5/1899 Robin D6/471
D. 45,718 5/1914 Karpeles D6/471
D. 130,041 10/1941 Meyer D6/472
D. 157,247 2/1950 Evans D6/471

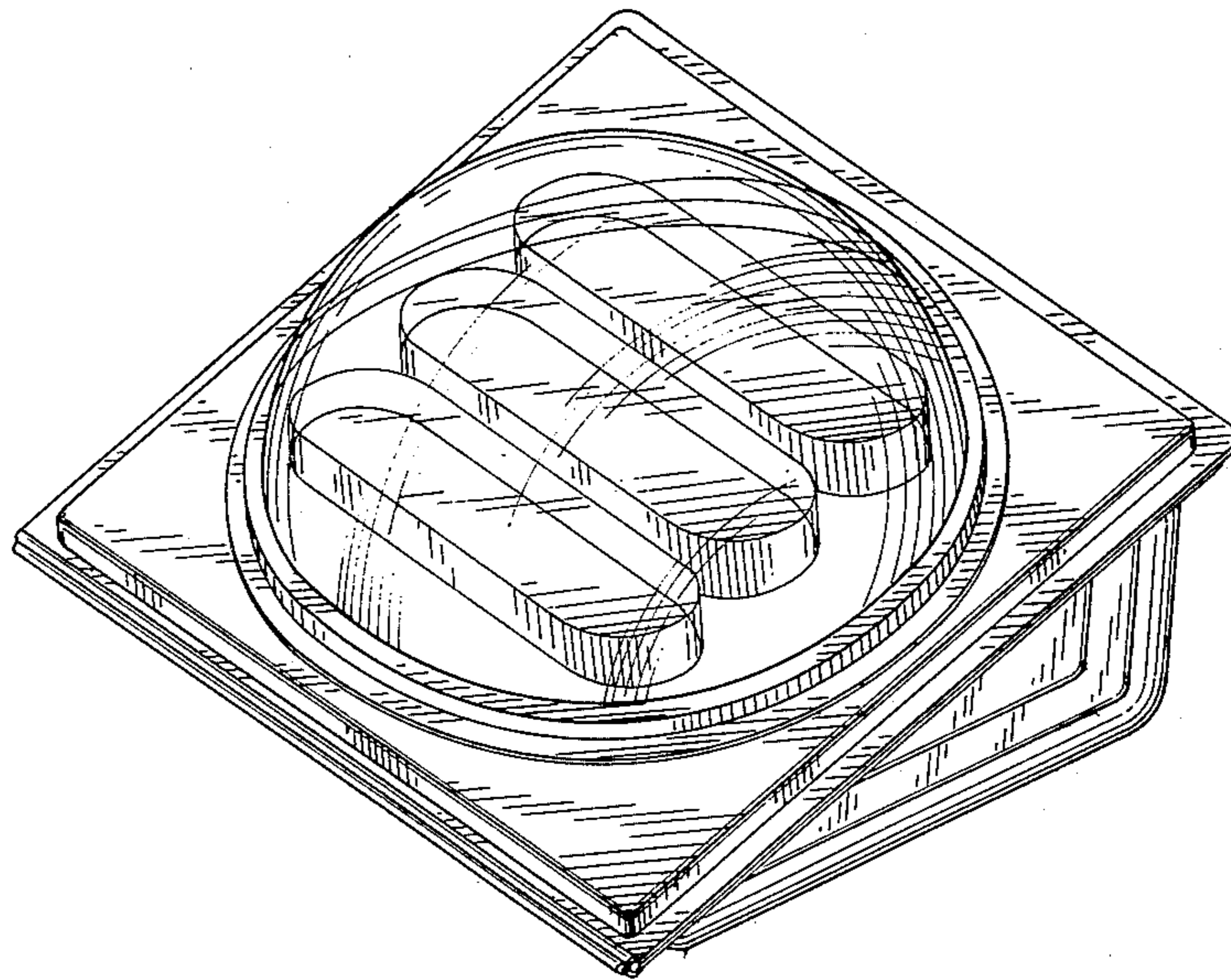


Fig. 1.

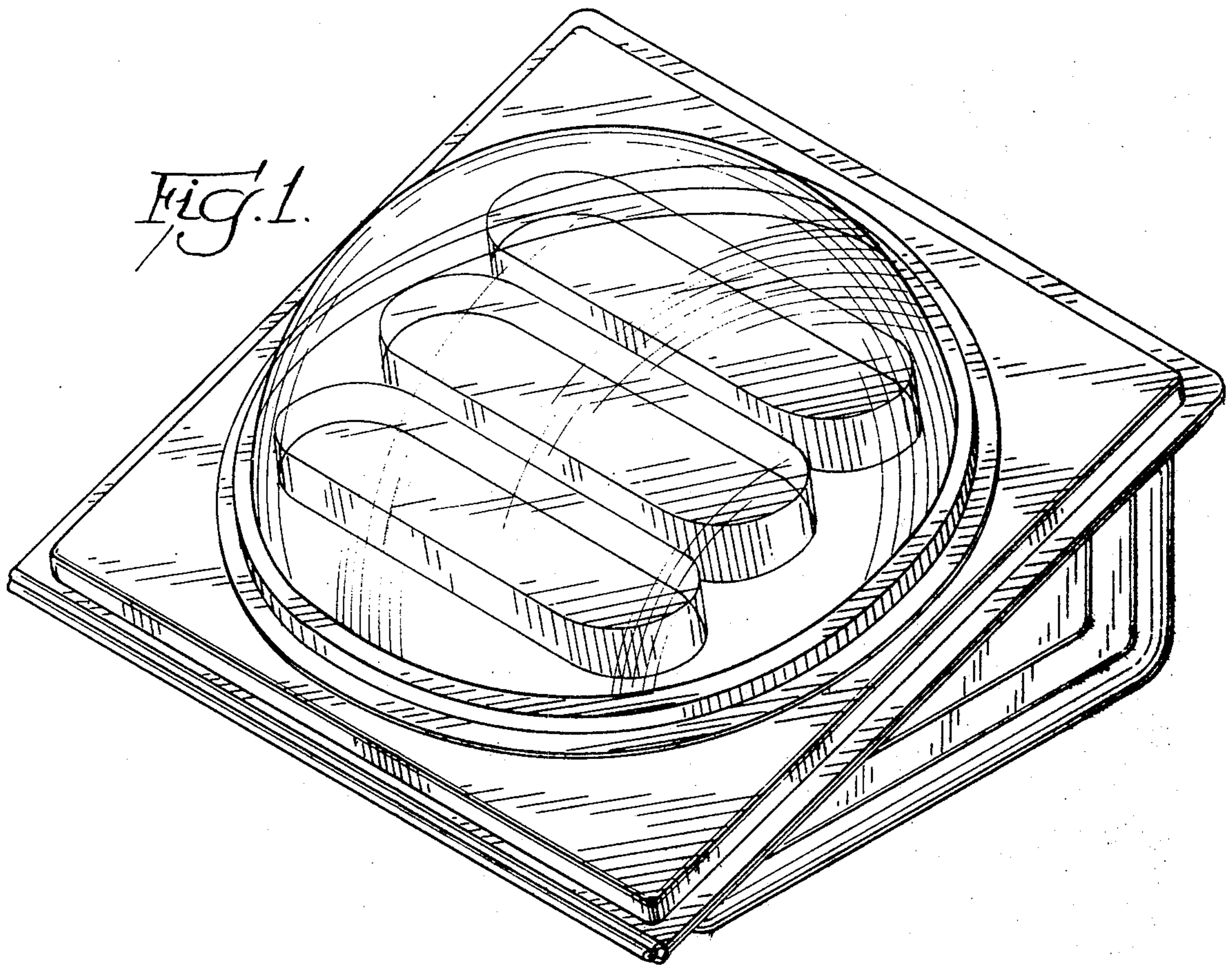
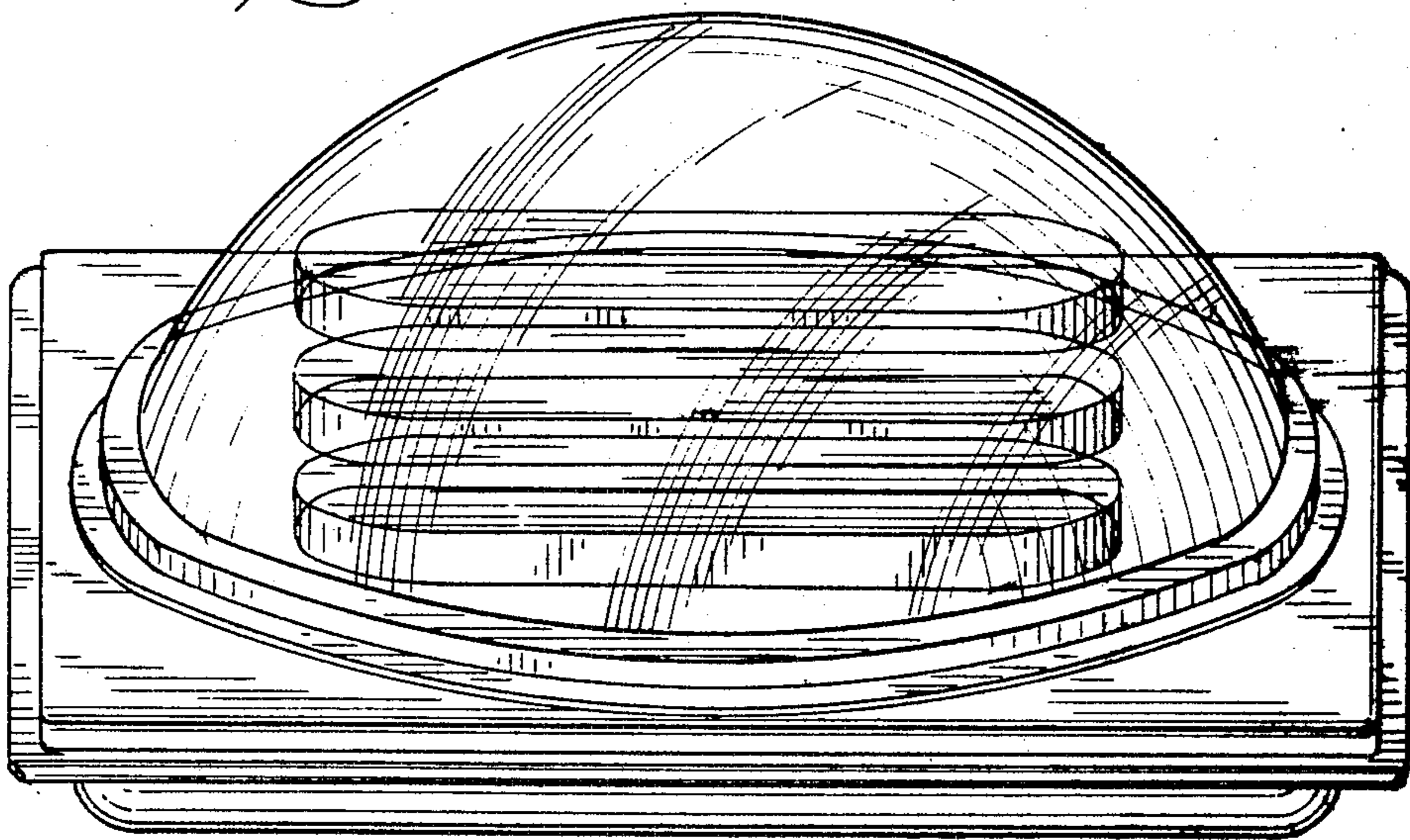


Fig. 2.



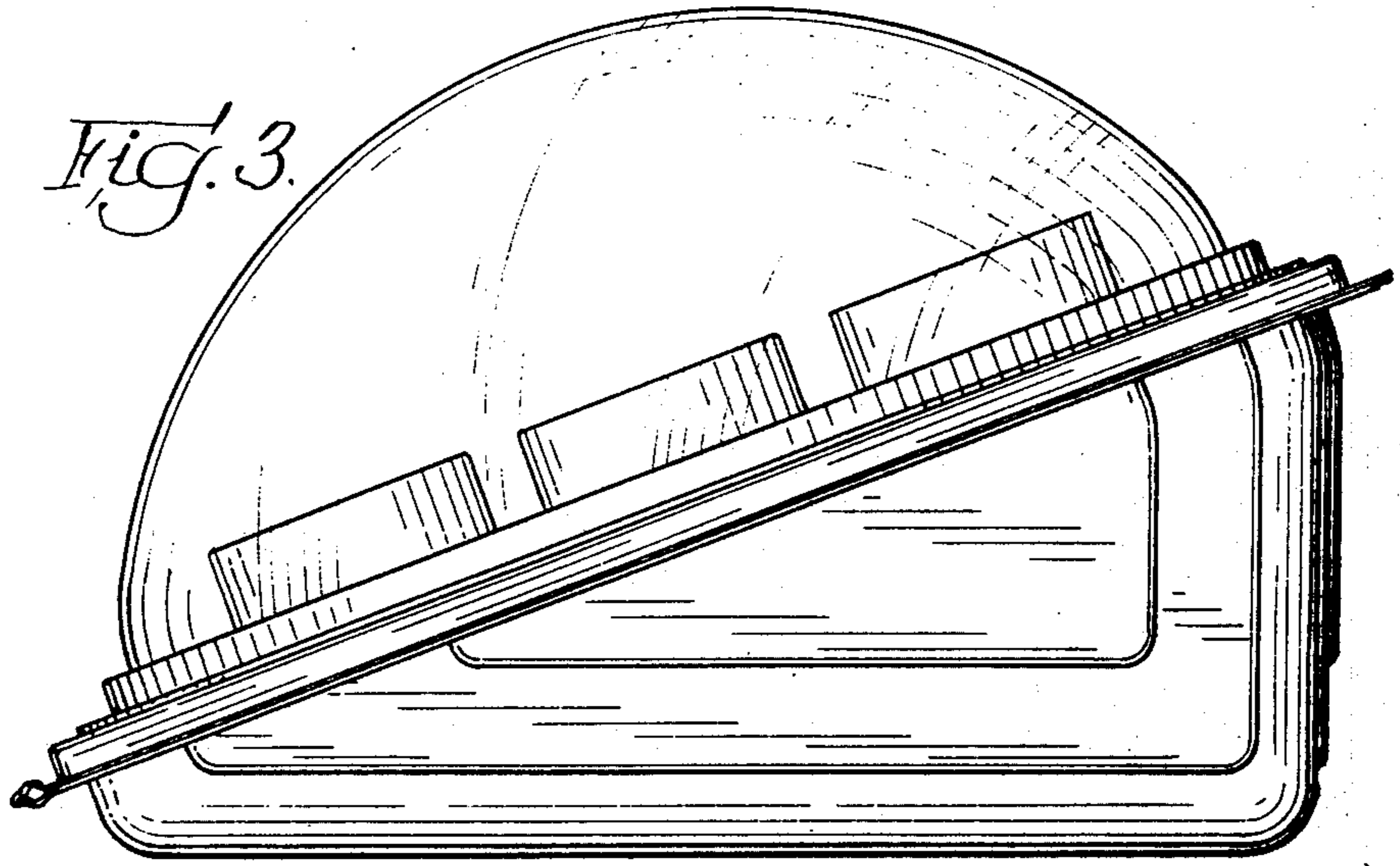


Fig. 4.

