

[54] COUNTER DISPLAY UNIT

1,420,942 6/1922 Peyton 312/140.1

[75] Inventor: Thomas Carvel, Chauncey, N.Y.

Primary Examiner—Carmen H. Vales
Attorney, Agent, or Firm—Jordan and Hamburg

[73] Assignee: Carvel Corporation, Chauncy, N.Y.

[**] Term: 14 Years

[57] CLAIM

[21] Appl. No.: 454,296

The ornamental design for a counter display unit, substantially as shown.

[22] Filed: Dec. 29, 1982

DESCRIPTION

[52] U.S. Cl. D6/471

[58] Field of Search D6/436, 432, 441, 443,
D6/470, 471, 472, 402; 312/140.1

FIG. 1 is a top plan view of a counter display unit showing my new design;

FIG. 2 is a front elevational view thereof;

FIG. 3 is a right side elevational view thereof;

FIG. 4 is a rear elevational view thereof;

FIG. 5 is a left side elevational view thereof;

FIG. 6 is a bottom plan view thereof;

FIG. 7 is a sectional side elevational view taken along line 7—7 in FIG. 8;

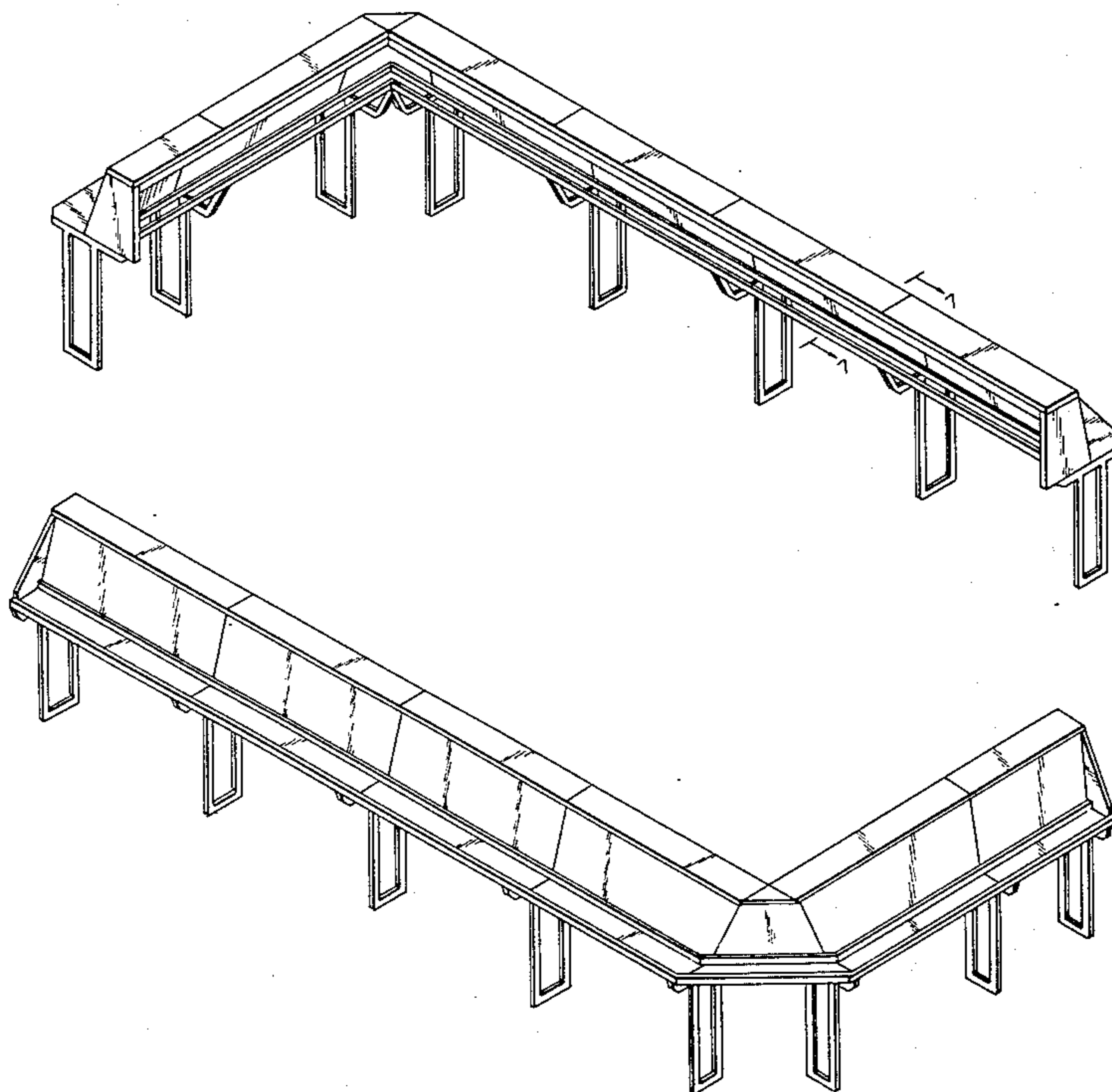
FIG. 8 is a front perspective view thereof; and

FIG. 9 is a rear perspective view thereof.

[56] References Cited

U.S. PATENT DOCUMENTS

- D. 85,605 11/1931 Thompson D6/471
- D. 125,283 2/1941 Miller D6/471
- D. 125,292 2/1941 Shell D6/436
- D. 129,258 9/1941 James D6/471
- D. 165,088 11/1951 McElgin D6/436 X



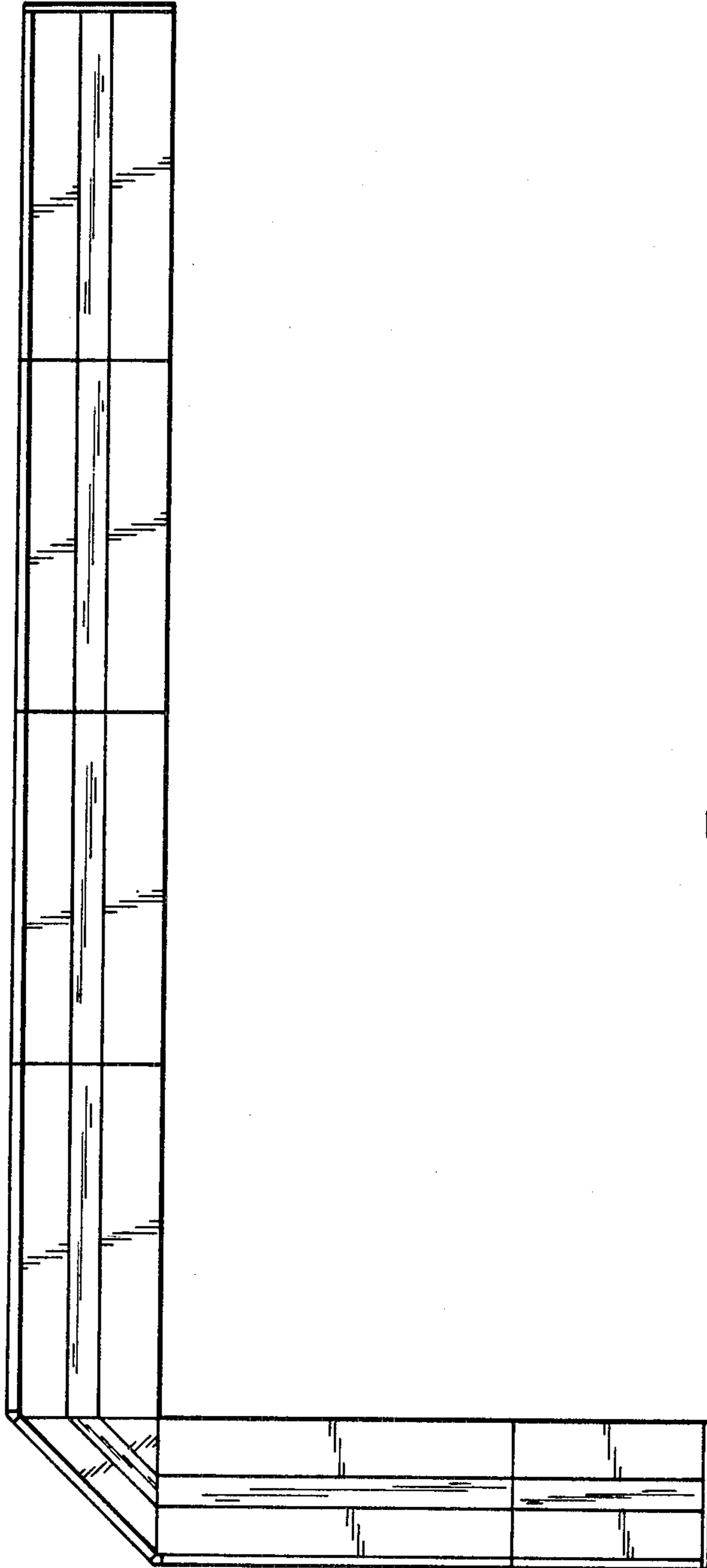


FIG. 1

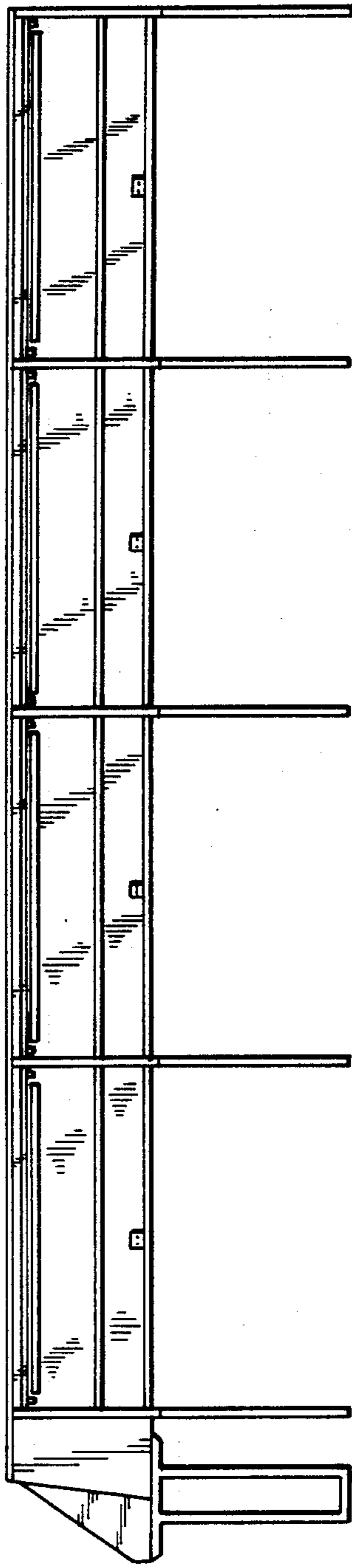


FIG. 2

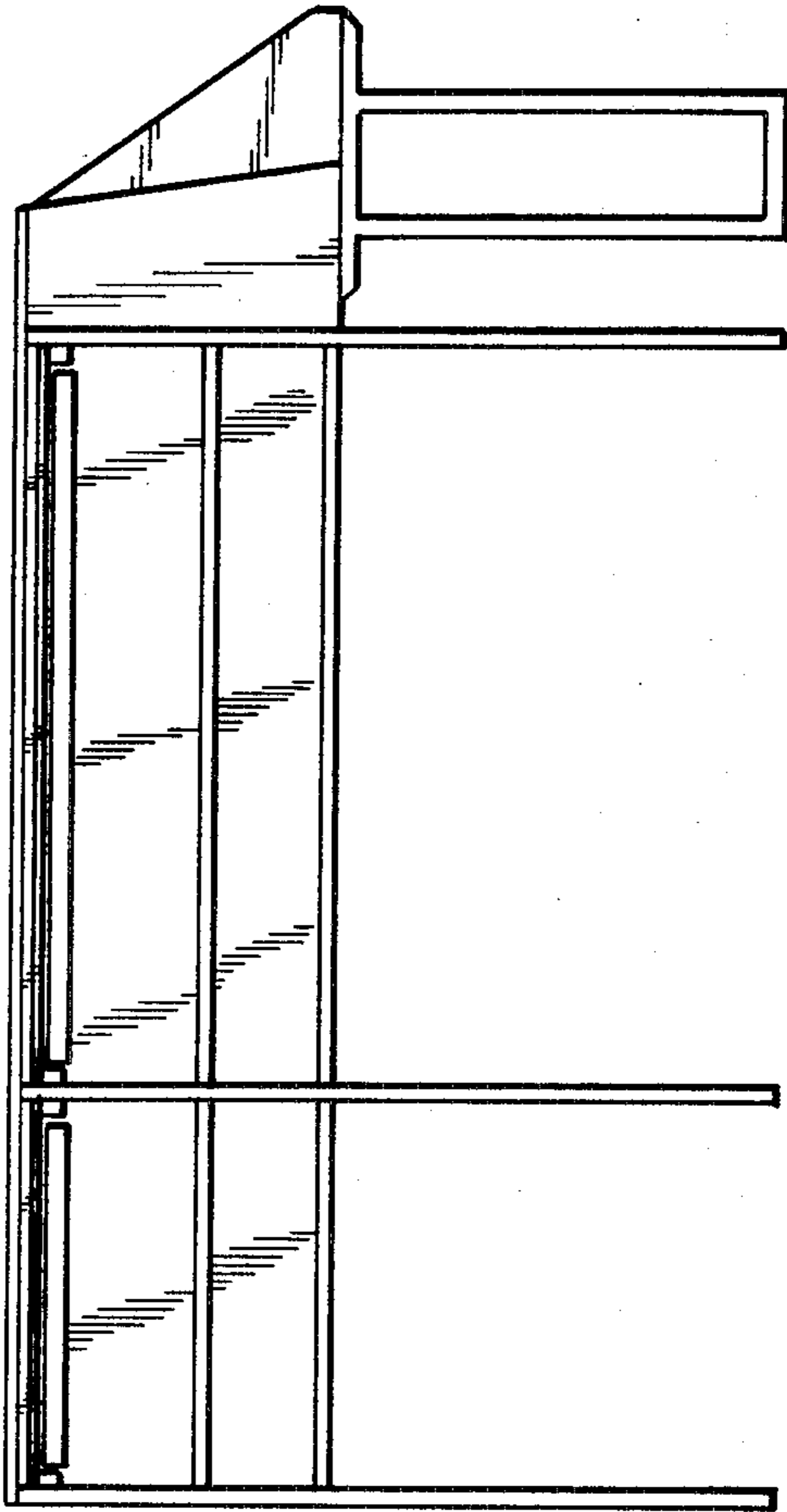


FIG. 3

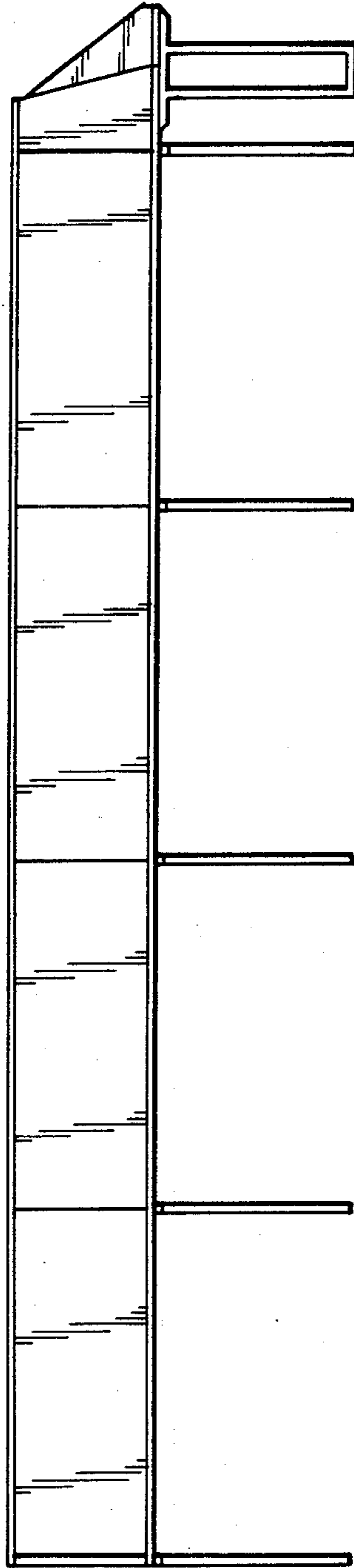


FIG. 4

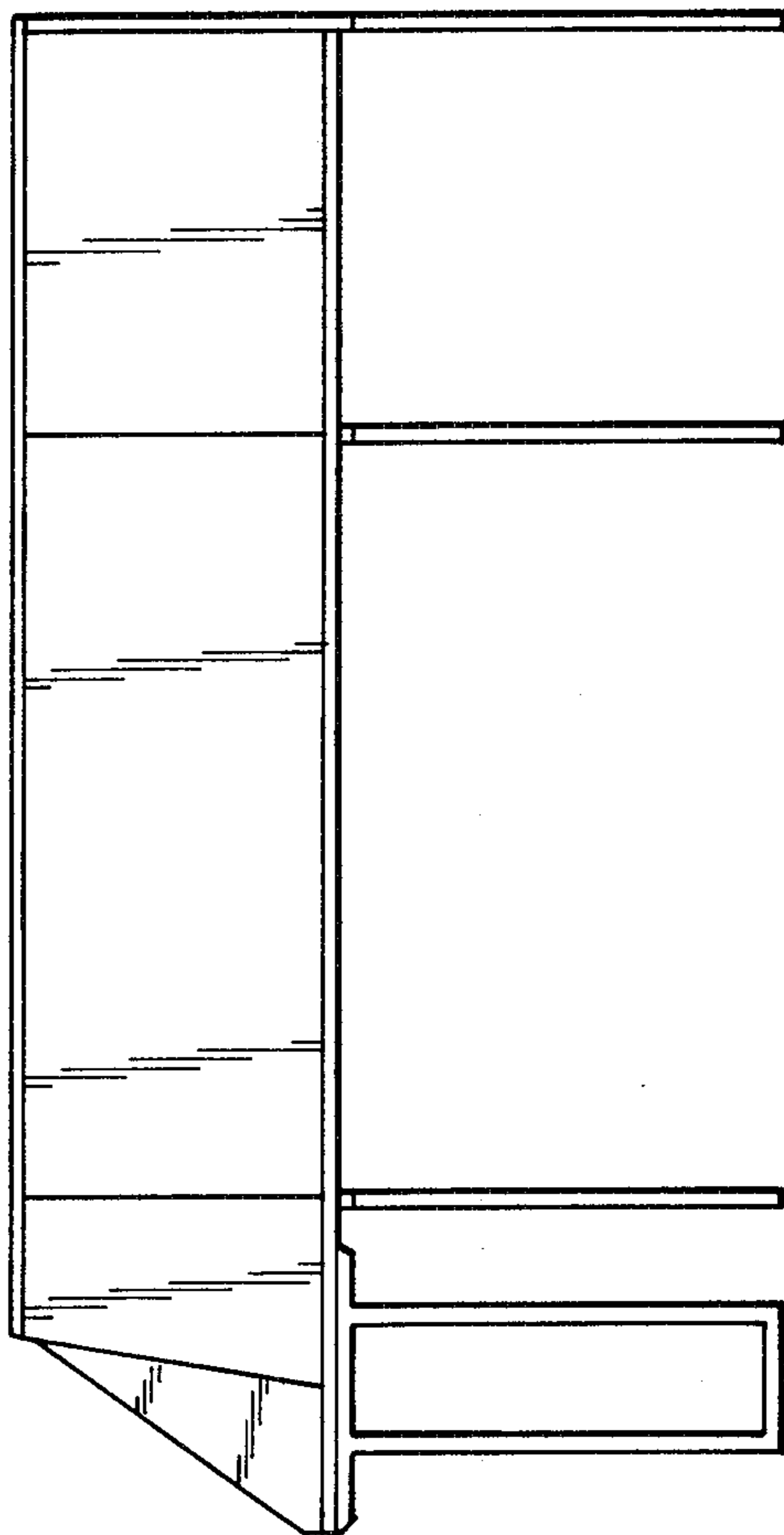
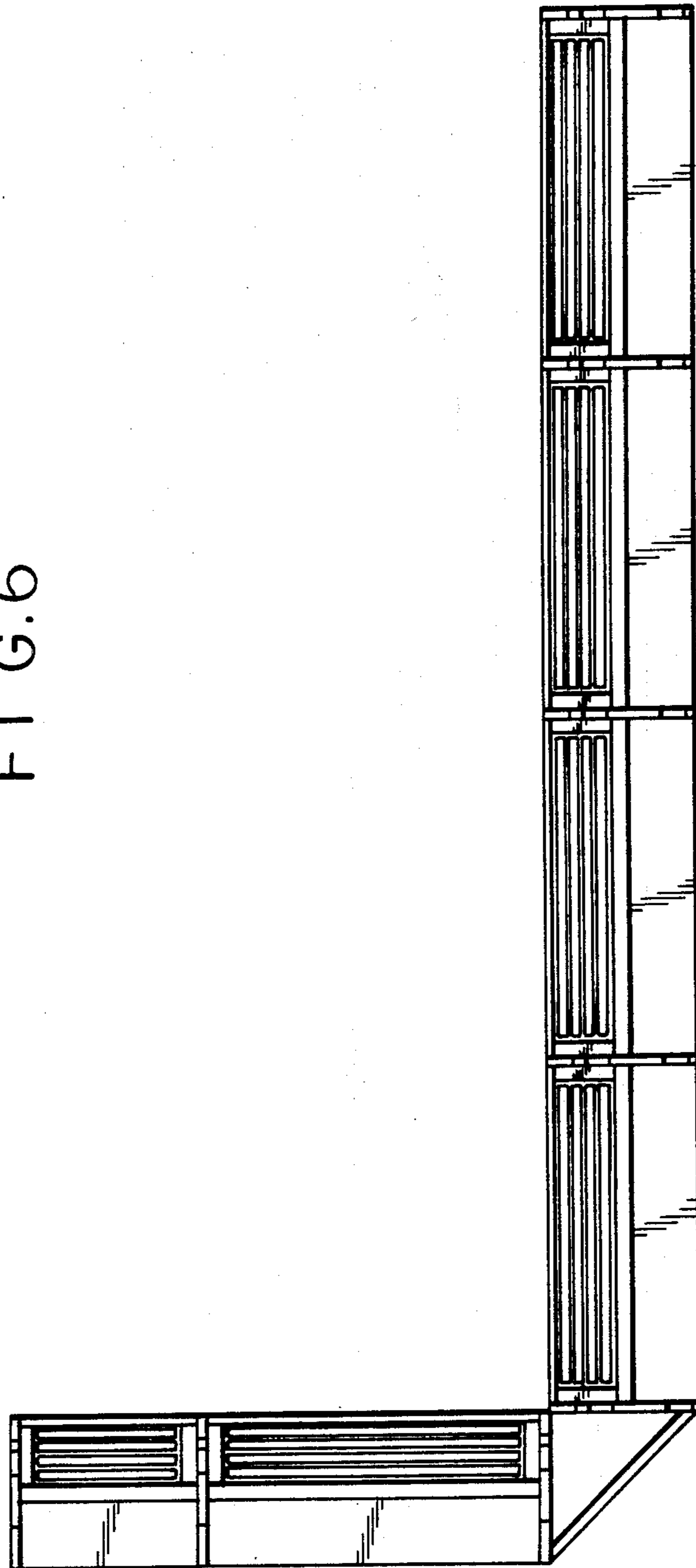


FIG. 5

FIG. 6



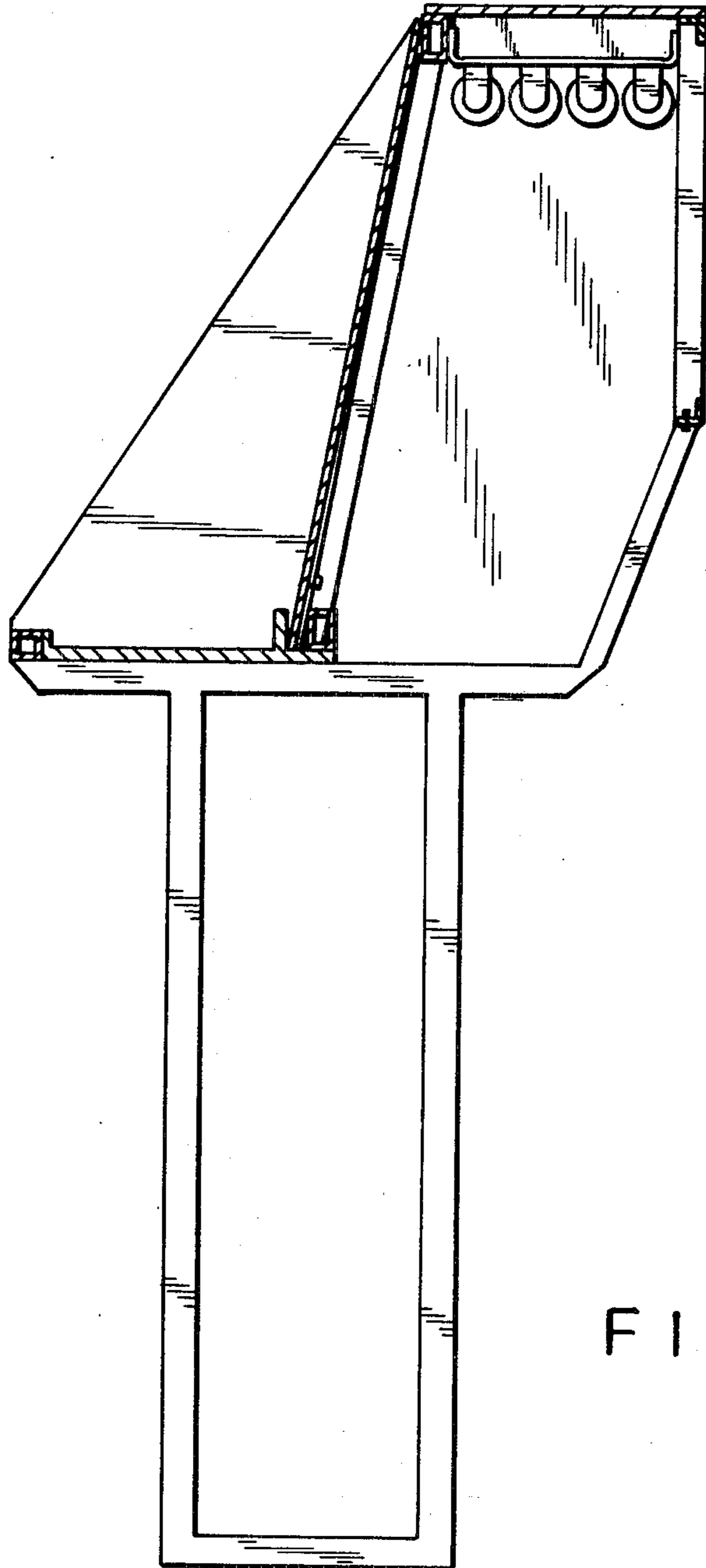


FIG. 7

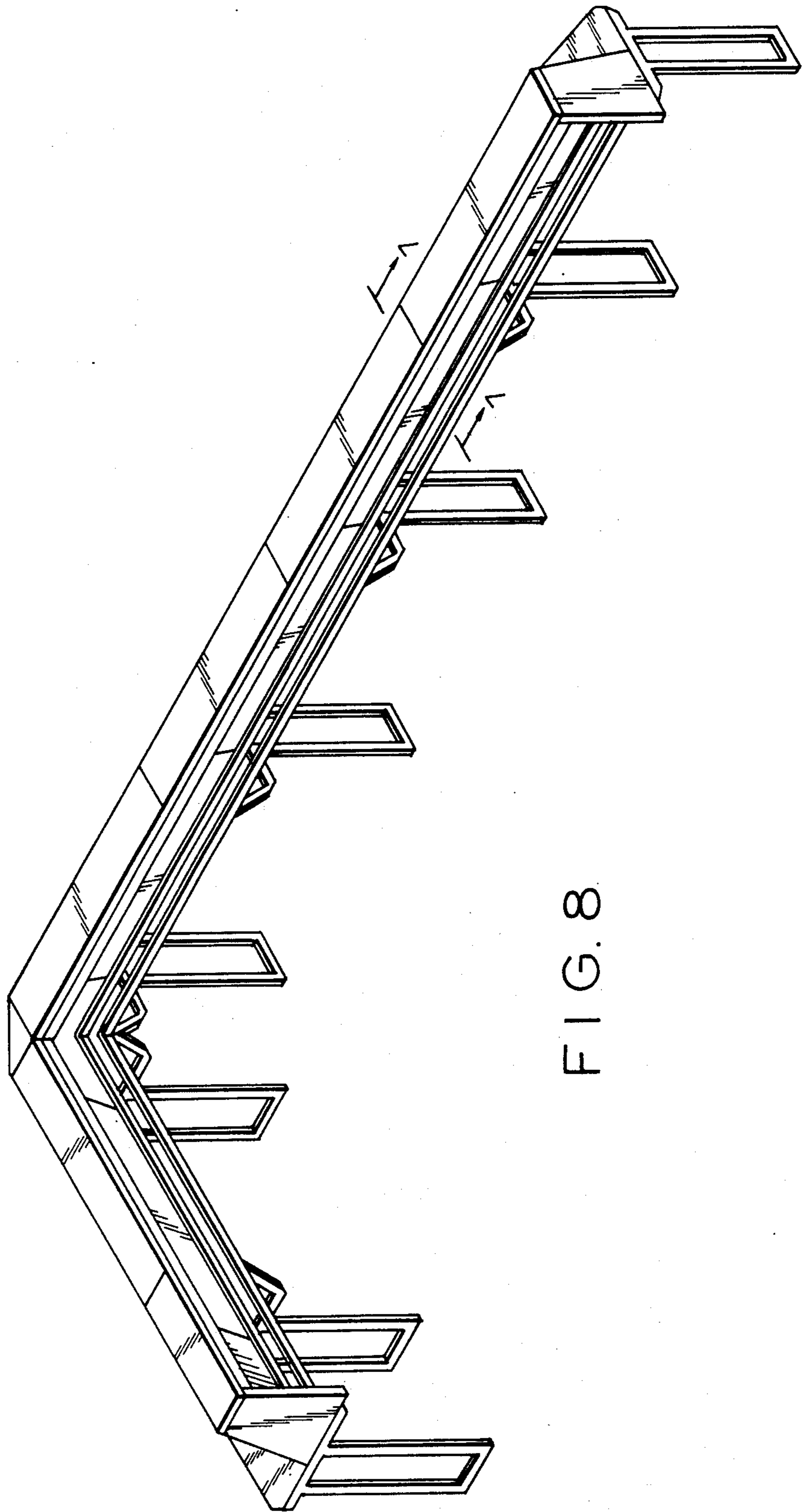


FIG. 8

FIG. 9

