

[54] SUPPORT FOR FLOWER POTS

[76] Inventor: Gerardus F. Mens, Von
Bonninghausenlaan 4, 2161 Et Lisse,
Netherlands

[**] Term: 14 Years

[21] Appl. No.: 699,250

[22] Filed: Feb. 7, 1985

[30] Foreign Application Priority Data

Aug. 20, 1984 [XH] Hague DM00410G
[52] U.S. Cl. D6/40; D21/134
[58] Field of Search D6/403, 404, 405, 513,553,
D6/556, 557, 558; 206/45, 45.14, 45.19;
211/71, 74, 86, 87, 89, 105.2; 248/27.8, 121,
127, 129, 146, 176; D12/17-19; D21/128, 138,
134, 140; D34/24; 47/39

[56] References Cited

U.S. PATENT DOCUMENTS

D. 131,158 1/1942 Foster D12/19
D. 186,709 11/1959 See D12/19

D. 192,138 1/1962 Huskey D12/19
D. 192,139 1/1962 Huskey D12/19
D. 251,403 3/1979 Bosler D6/404
D. 256,749 9/1980 Crawford et al. D6/404

FOREIGN PATENT DOCUMENTS

1018494 8/1984 United Kingdom .
DM003122 11/1983 World Intel. Prop. Org. .

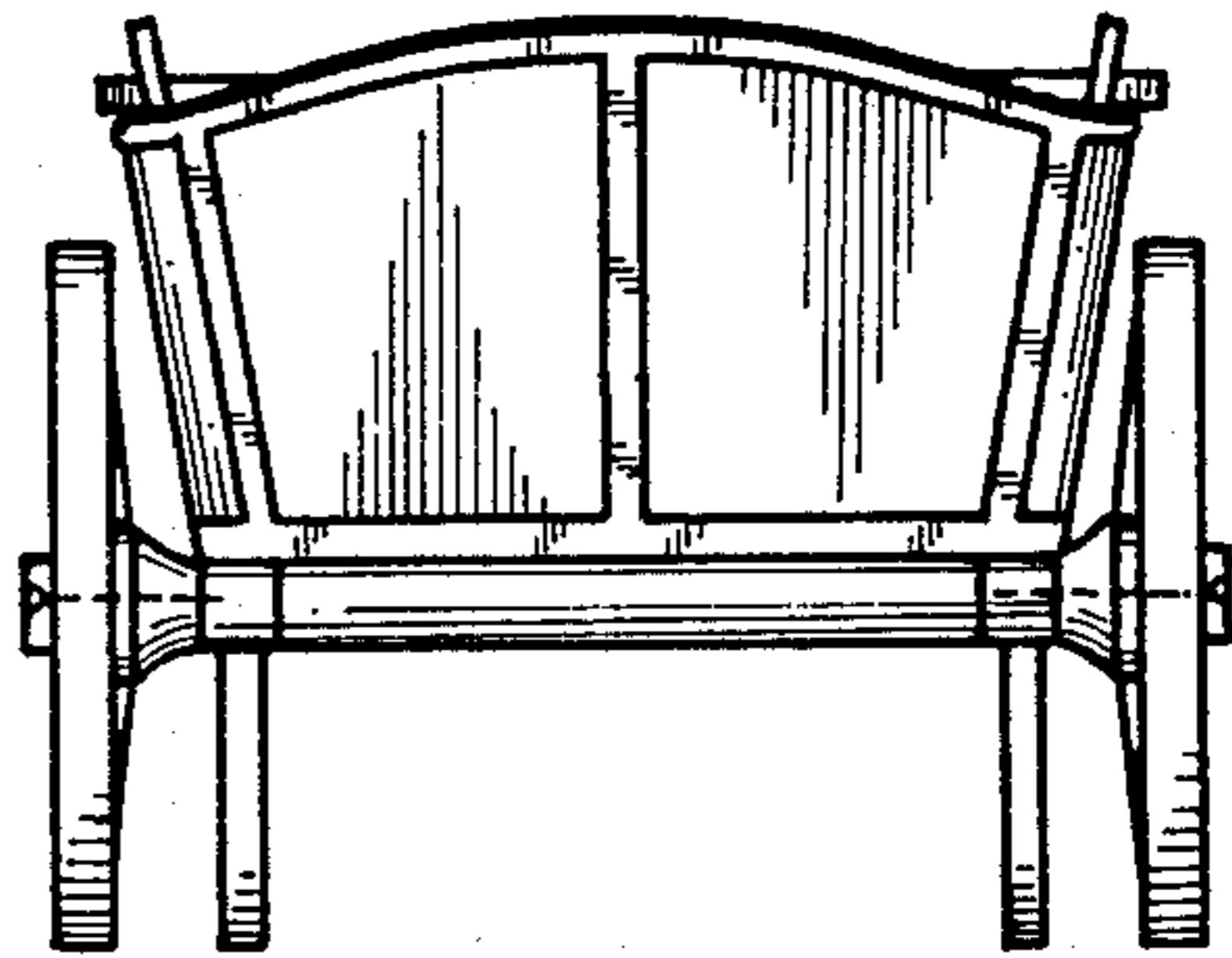
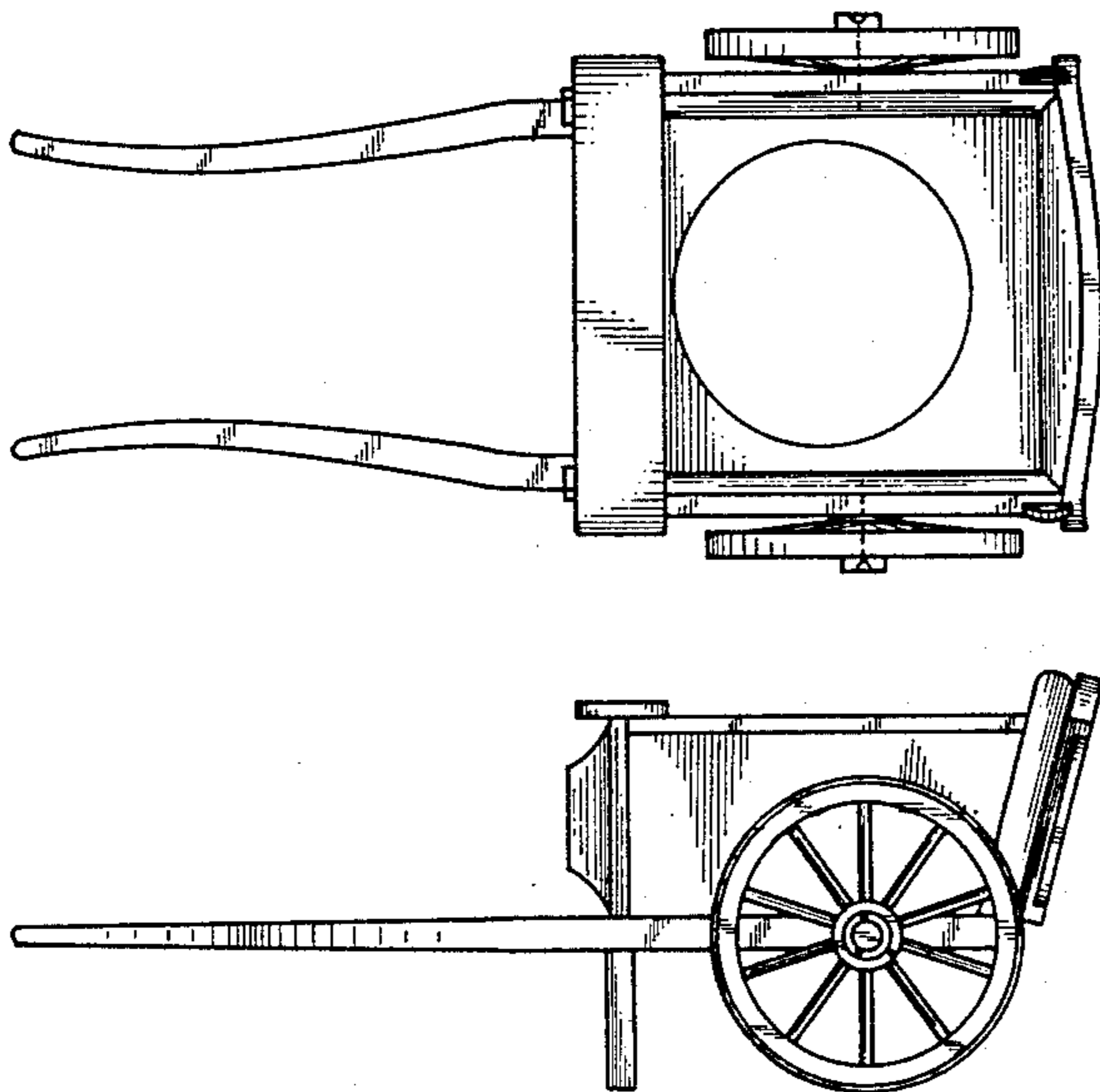
Primary Examiner—B. J. Bullock
Assistant Examiner—Suzanne N. Gitlin
Attorney, Agent, or Firm—Pahl, Lorusso & Loud

[57] CLAIM

The ornamental design for a support for flower pots, as shown.

DESCRIPTION

FIG. 1 is a top plan view of a support for flower pots showing my new design;
FIG. 2 is a side elevational view thereof;
FIG. 3 is a bottom plan view thereof;
FIG. 4 is a reduced side elevational view, opposite that seen in FIG. 2;
FIG. 5 is a front elevational view thereof;
FIG. 6 is a rear elevational view thereof.



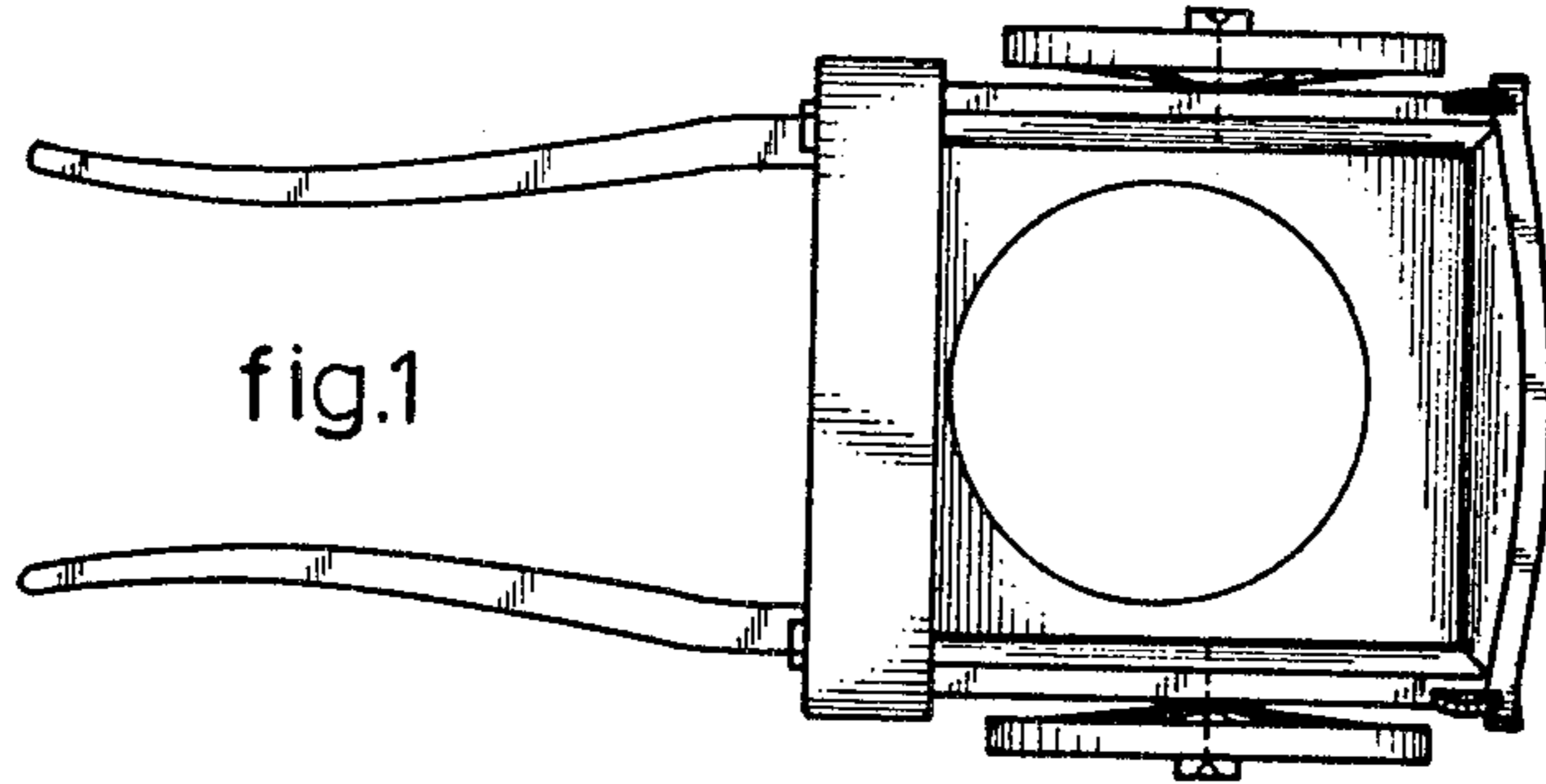


fig.1

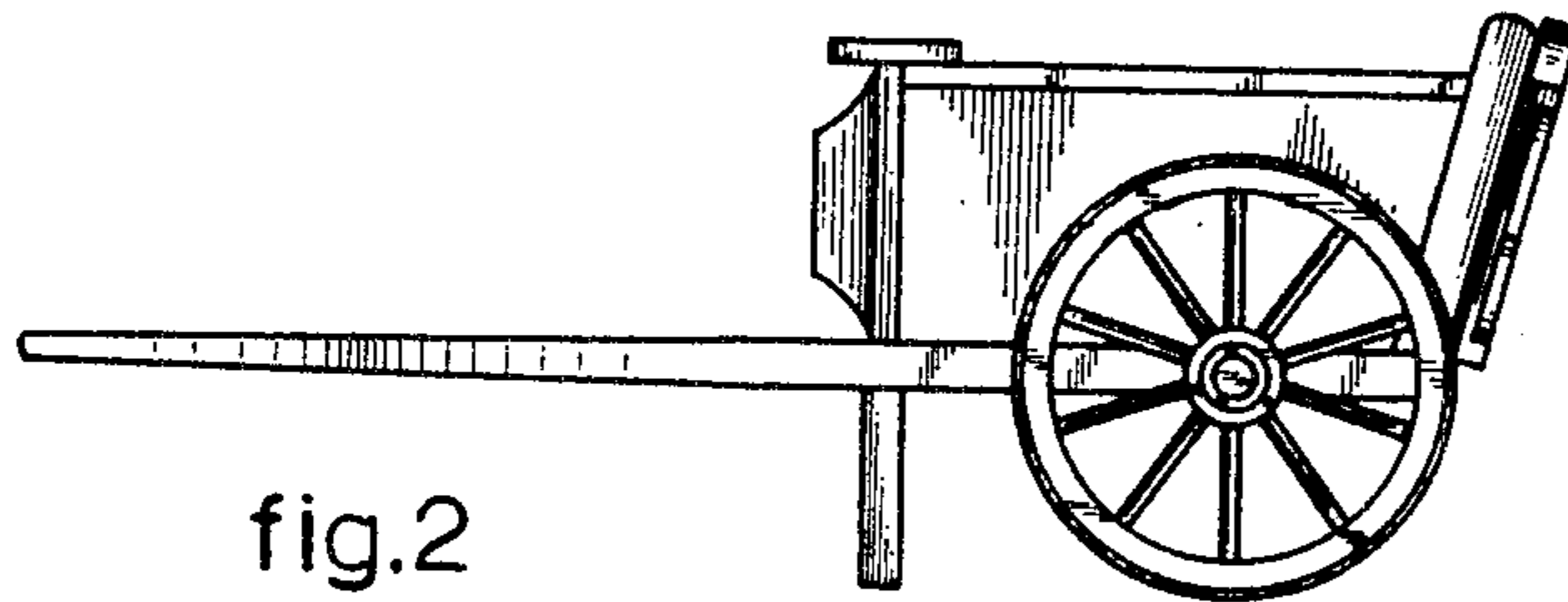


fig.2

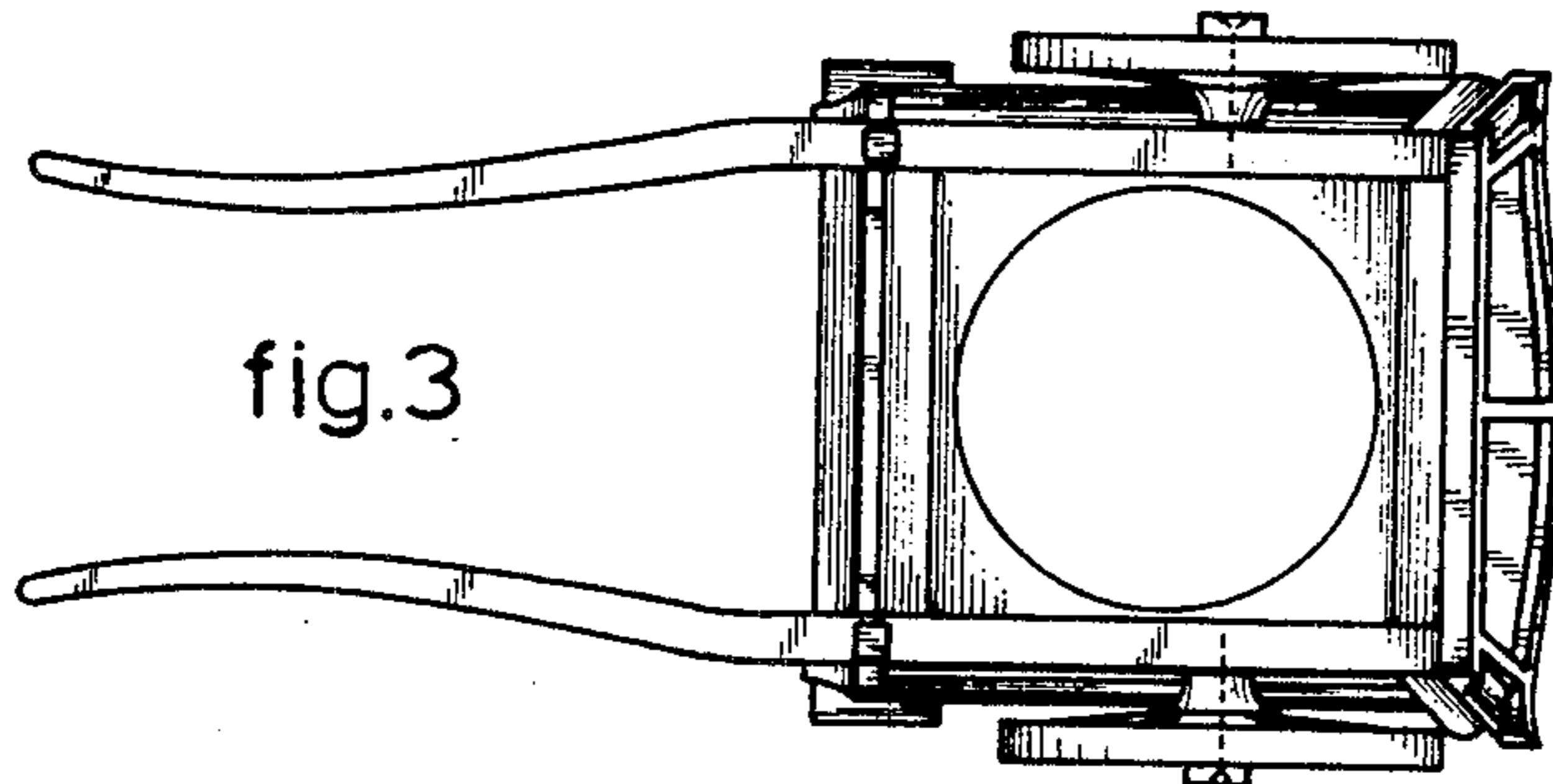


fig.3

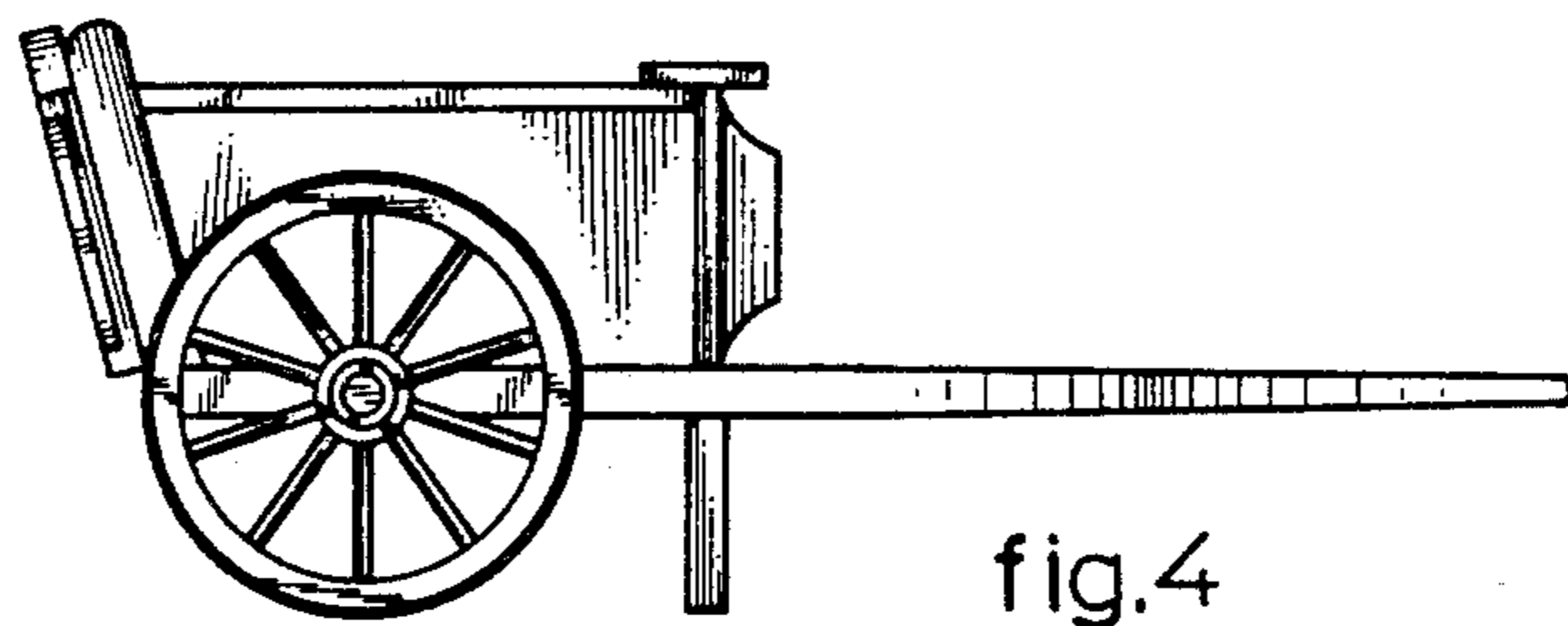


fig.4

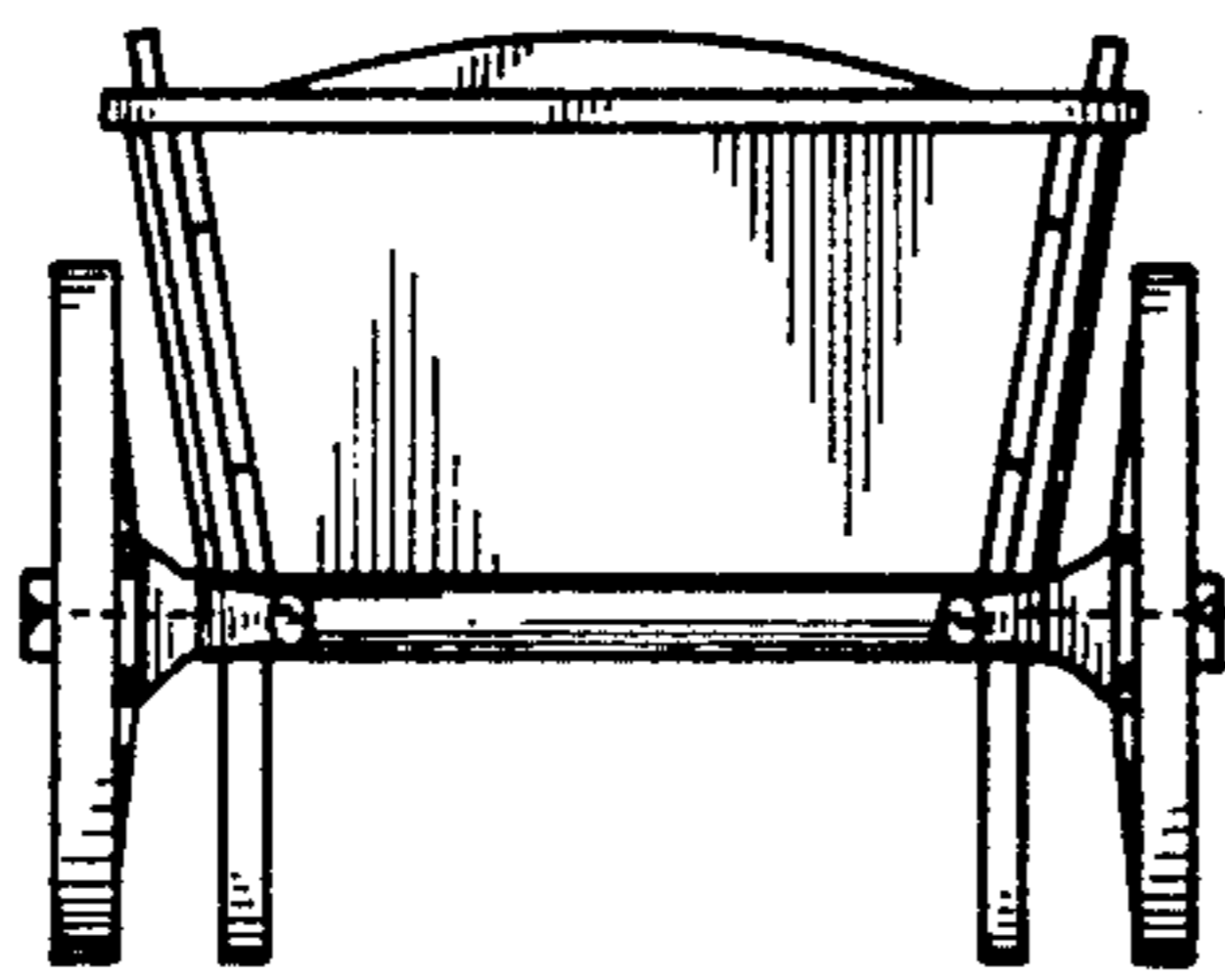


fig.5

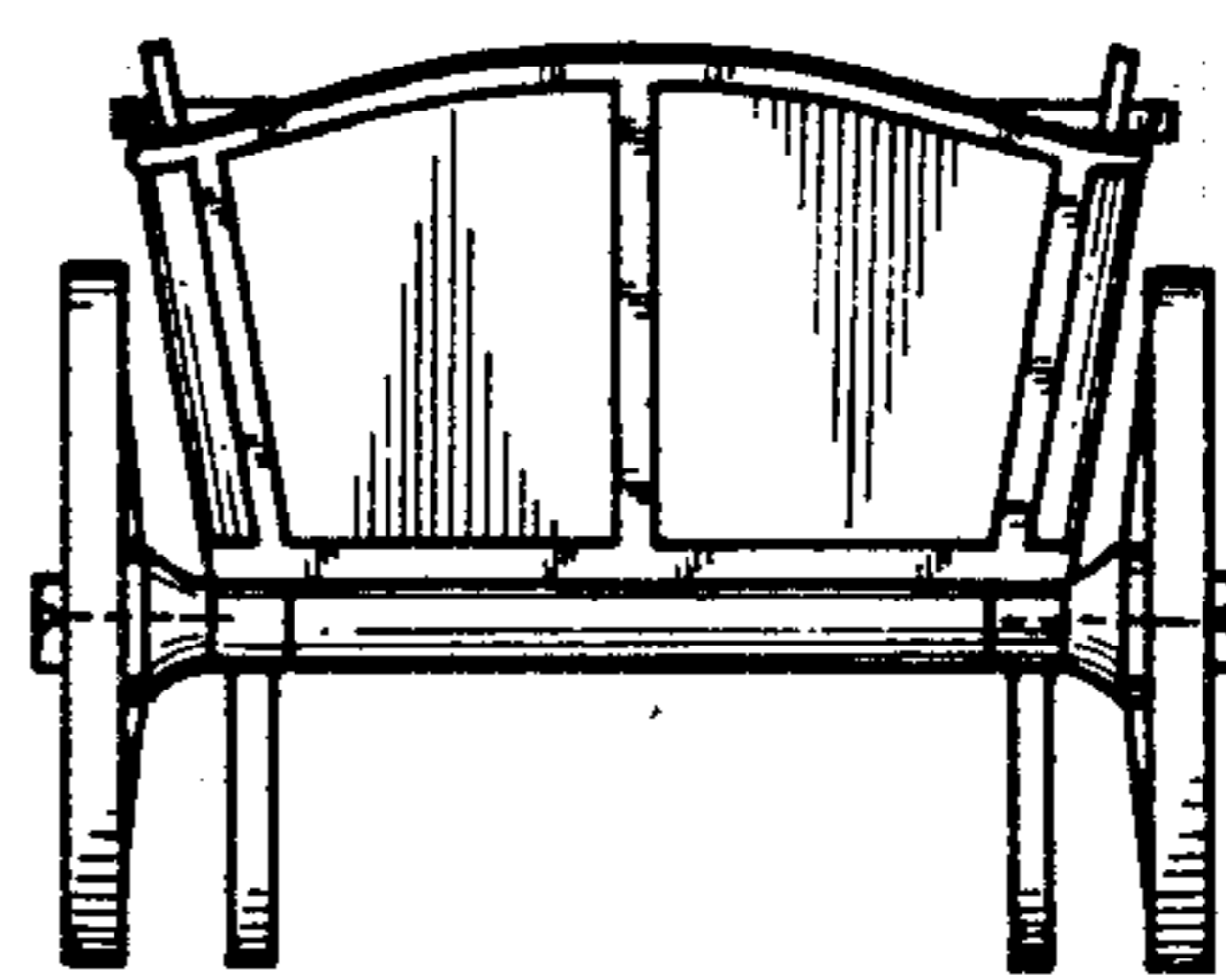


fig.6