

[54] COMBINED TABLE AND PLURAL SEAT UNIT

[75] Inventors: Brian B. Trainis, Fulwood House, Durford Wood, Hampshire GU31 5AL, England; Dragoslava Punisi, Oktobar, Yugoslavia

[73] Assignee: Brian Bernard Trainis, England

[**] Term: 14 Years

[21] Appl. No.: 603,932

[22] Filed: Apr. 26, 1984

[30] Foreign Application Priority Data

Nov. 28, 1983 [GB] United Kingdom 1016576
[52] U.S. Cl. D6/337
[58] Field of Search D6/335, 336, 337, 381; 297/135, 157, 158; 108/50

[56] References Cited

U.S. PATENT DOCUMENTS

D. 128,165 7/1941 Jory D6/337
D. 134,541 12/1942 Mastrangelo D6/337
D. 183,814 10/1958 Scott 297/158 X
D. 214,374 6/1969 Winer D6/337
1,692,252 11/1928 Eichman 297/158
4,036,150 7/1977 Algier 297/158 X

Primary Examiner—Bruce W. Dunkins
Attorney, Agent, or Firm—Larson and Taylor

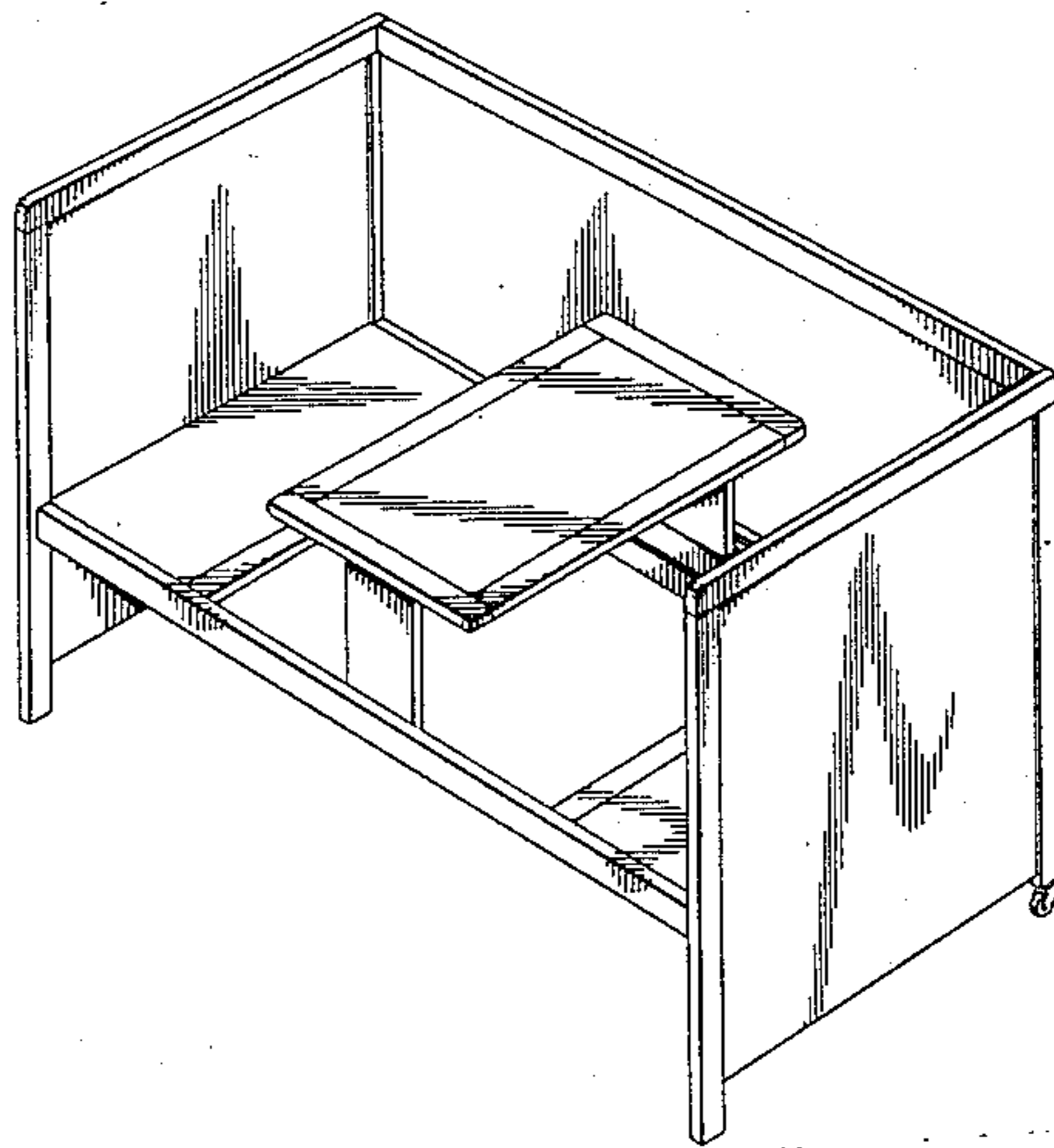
[57] CLAIM

The ornamental design for a combined table and plural seat unit, as shown and described.

DESCRIPTION

FIG. 1 is a front perspective view of a combined table and plural seat unit showing our design; FIG. 2 is a rear elevational view; and FIG. 3 is a side elevational view taken from the left in FIG. 1.

The undisclosed inner surfaces on the right side in FIG. 3 are mirror images of the respective surfaces shown in the left in FIG. 1.



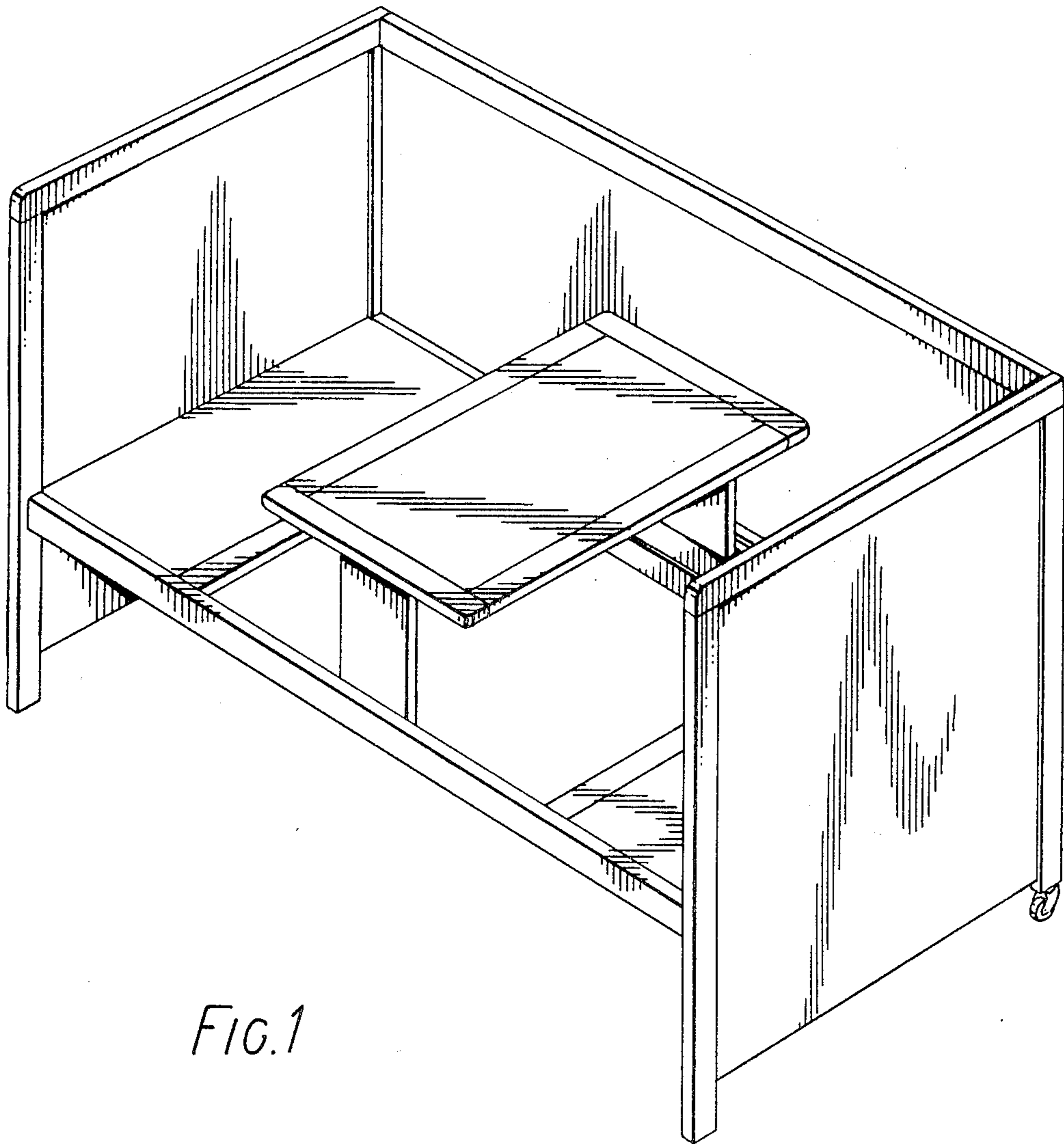


FIG. 1

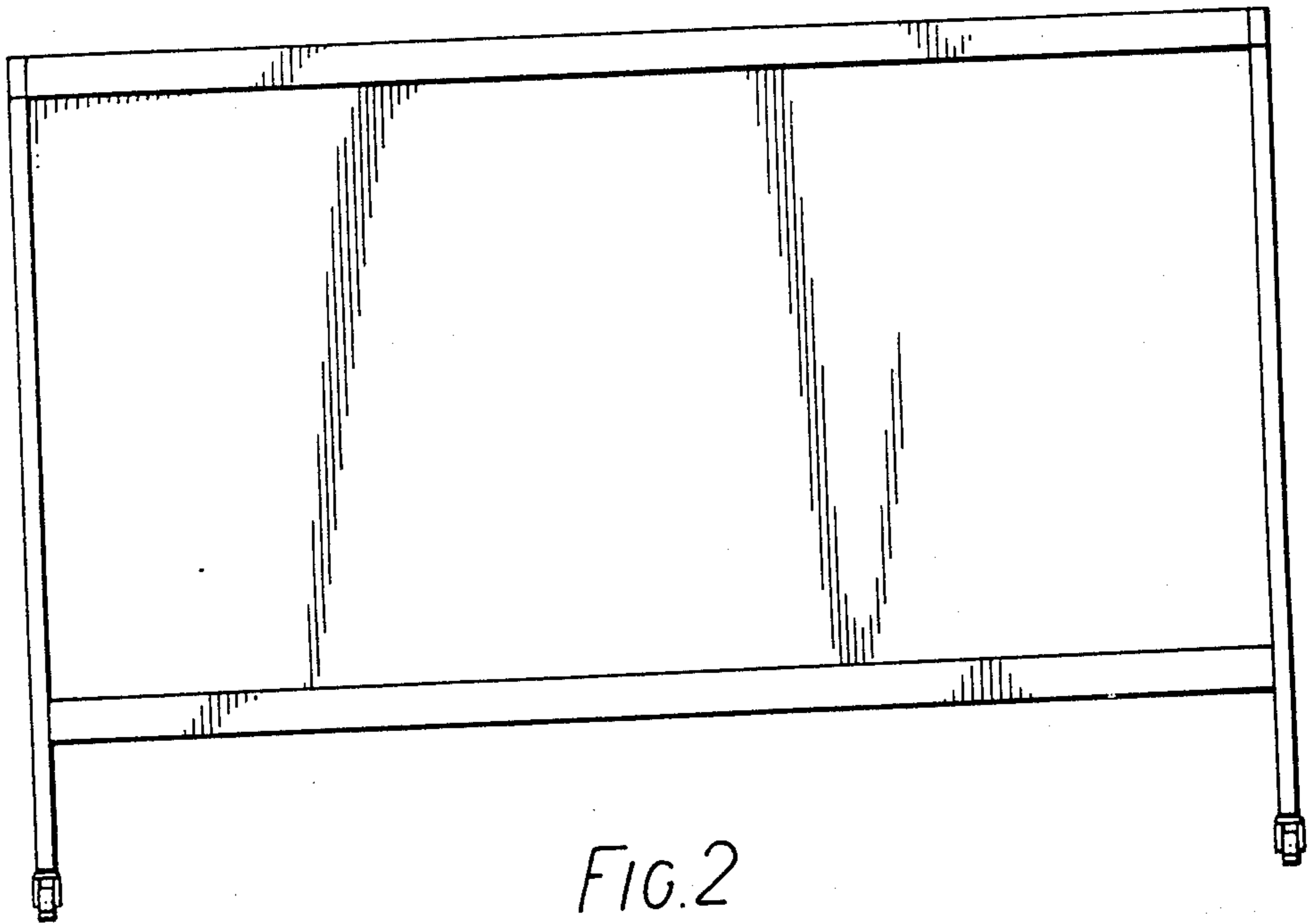


FIG. 2

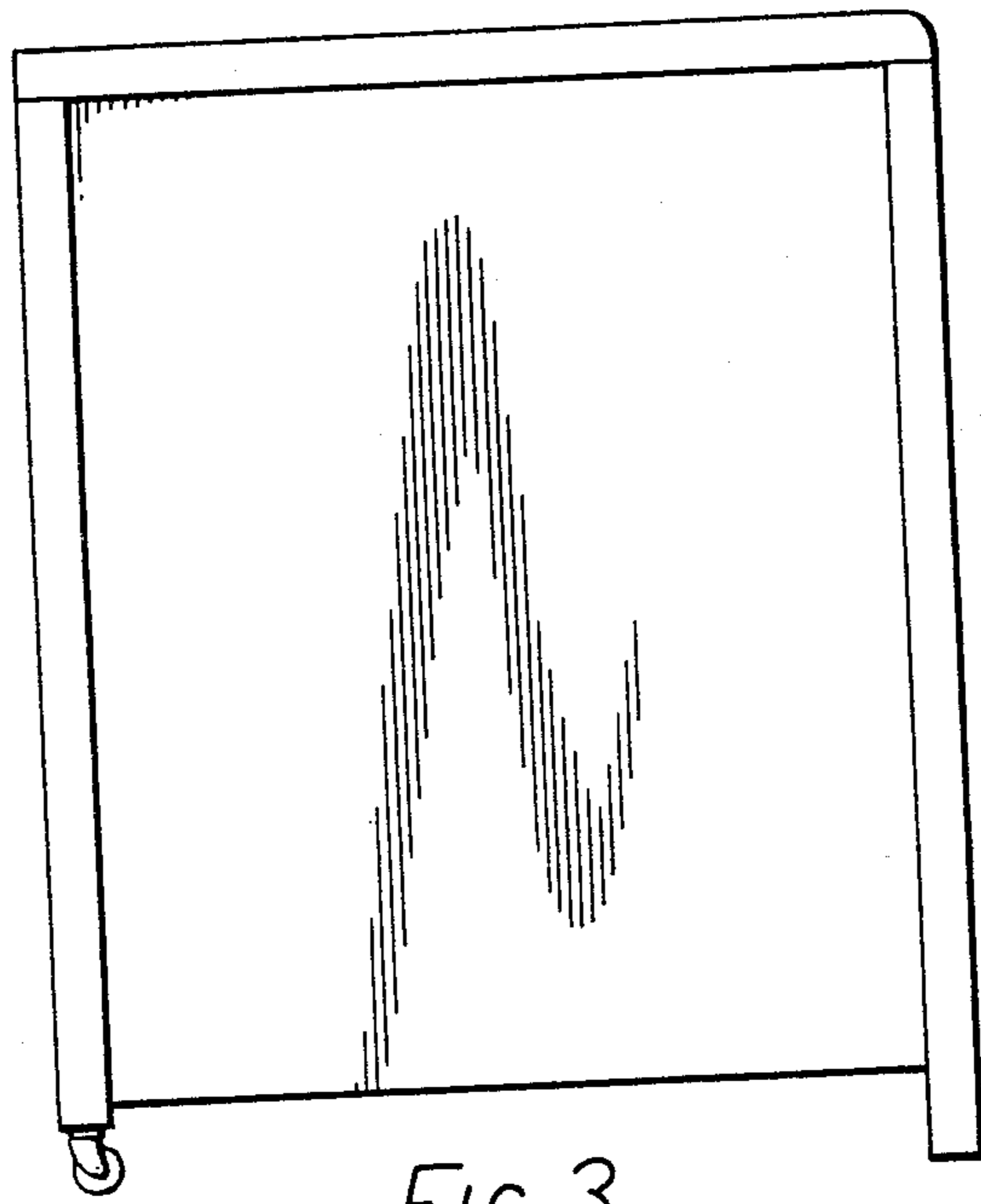


FIG. 3