

[54] PLASTIC BAG SUPPORTER

3,659,816 5/1972 Wilson D34/6

[76] Inventor: Richard S. Risch, 1942 Deerpark #58, Fullerton, Calif. 92631

Primary Examiner—James M. Gandy
Assistant Examiner—Kay H. Chin
Attorney, Agent, or Firm—Blakely, Sokoloff, Taylor & Zafman

[**] Term: 14 Years

[21] Appl. No.: 651,889

[57] CLAIM

The ornamental design for a plastic bag supporter, as shown.

[22] Filed: Sep. 19, 1984

[52] U.S. Cl. D34/6; D6/496

[58] Field of Search D34/1, 5, 6; D6/495, D6/496, 498, 484, 487; 248/96, 97, 98, 99, 100, 101

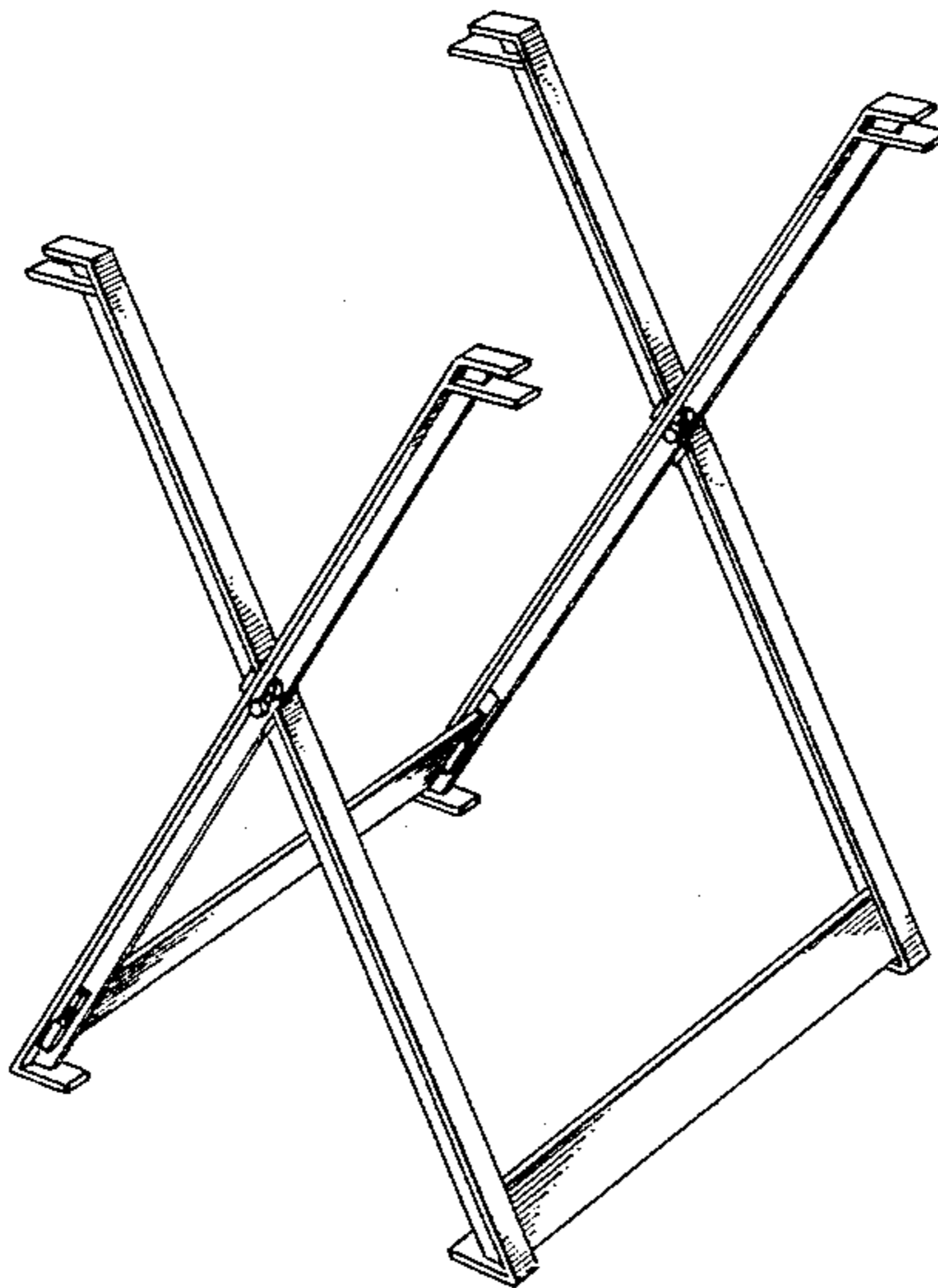
DESCRIPTION

FIG. 1 is a top perspective view of a plastic bag supporter showing the new design; FIG. 2 is a top plan view thereof; FIG. 3 is a left side elevational view thereof; FIG. 4 is a front elevational view thereof; FIG. 5 is a right side elevational view thereof; FIG. 6 is a rear elevational view thereof; and FIG. 7 is a bottom plan view thereof.

[56] References Cited

U.S. PATENT DOCUMENTS

63,383	4/1867	Hanks	248/100
354,713	12/1886	Lawson et al.	248/97
639,292	12/1899	Rippon et al.	248/97



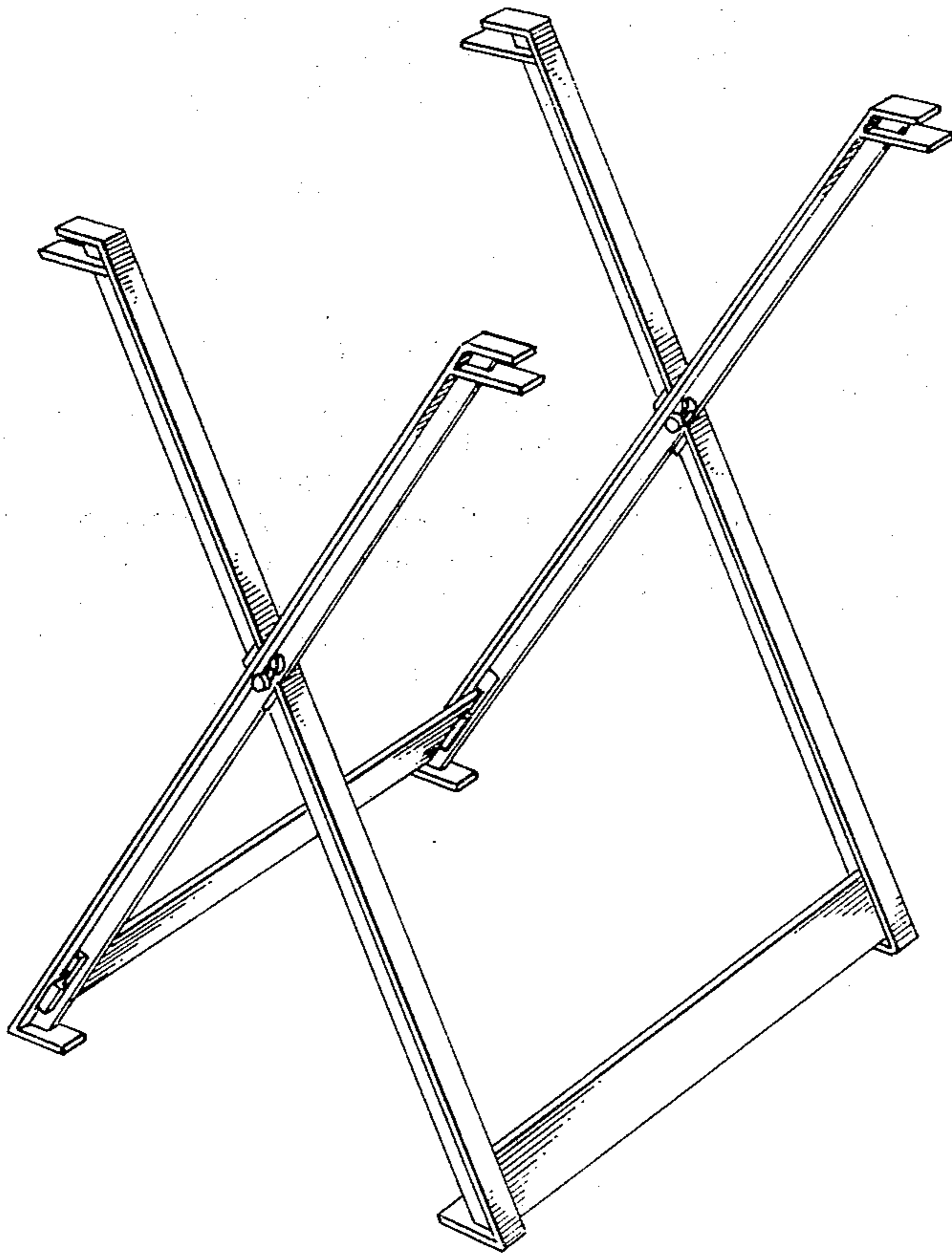


Fig. 1

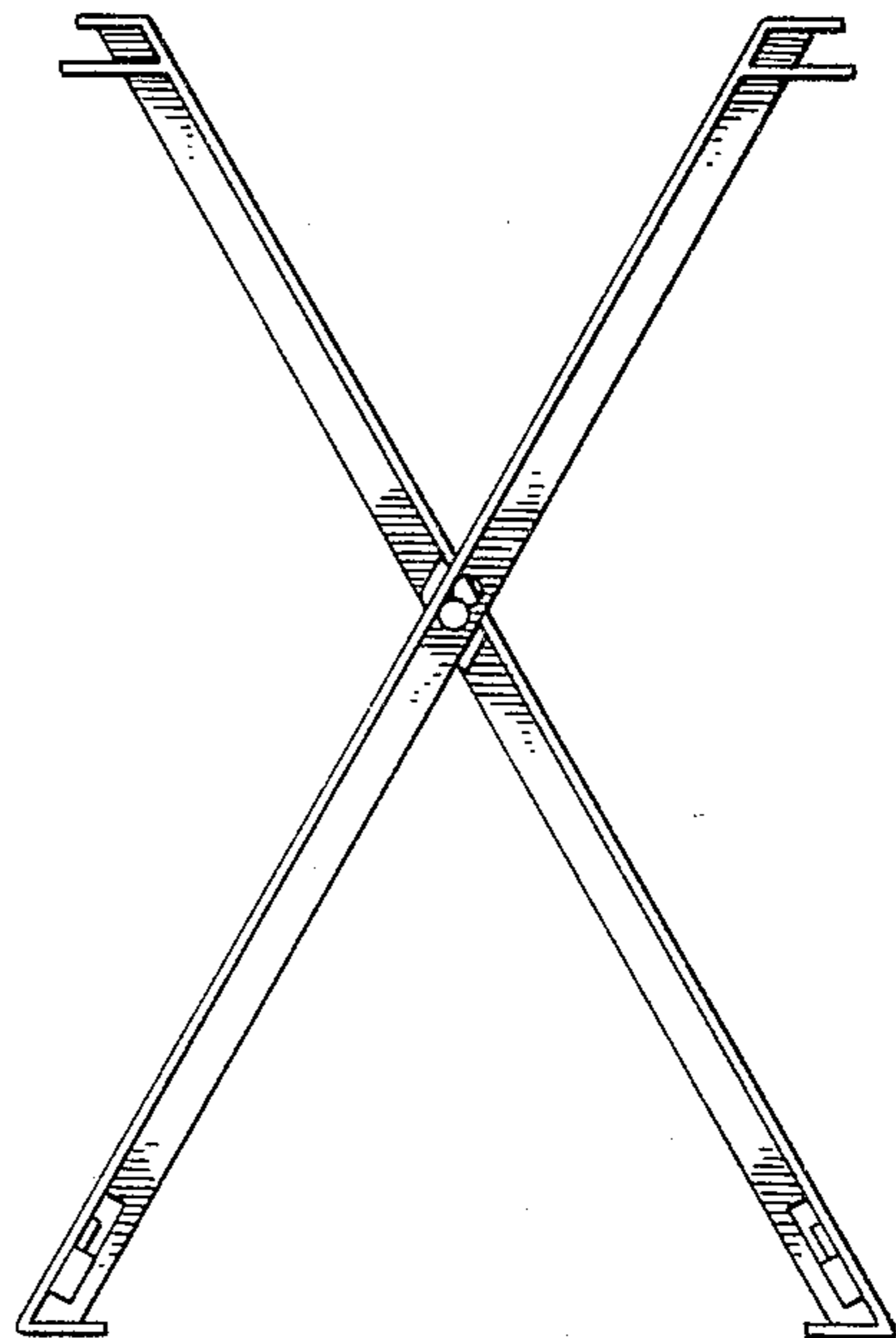


Fig. 3

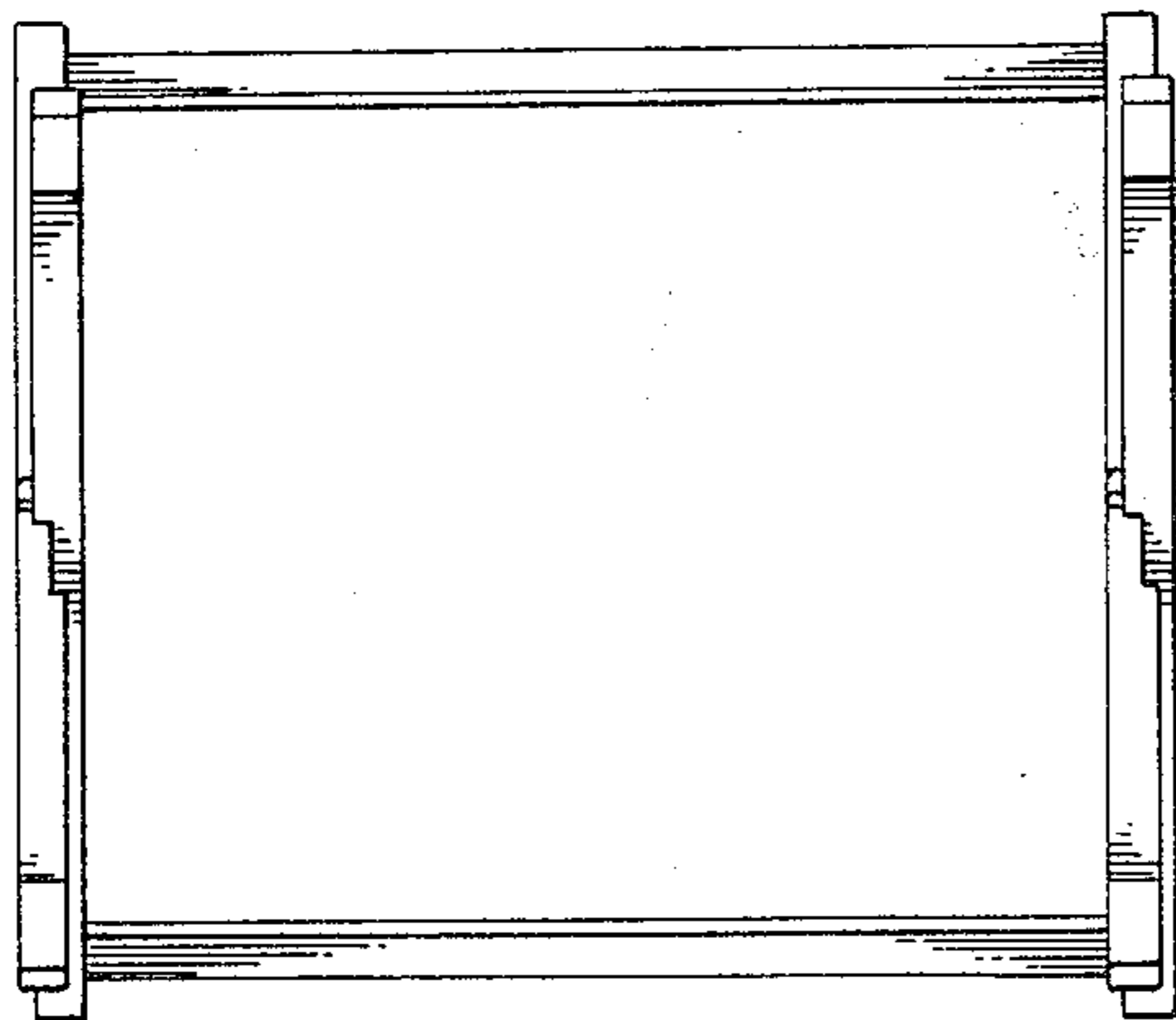


Fig. 2

Fig. 4

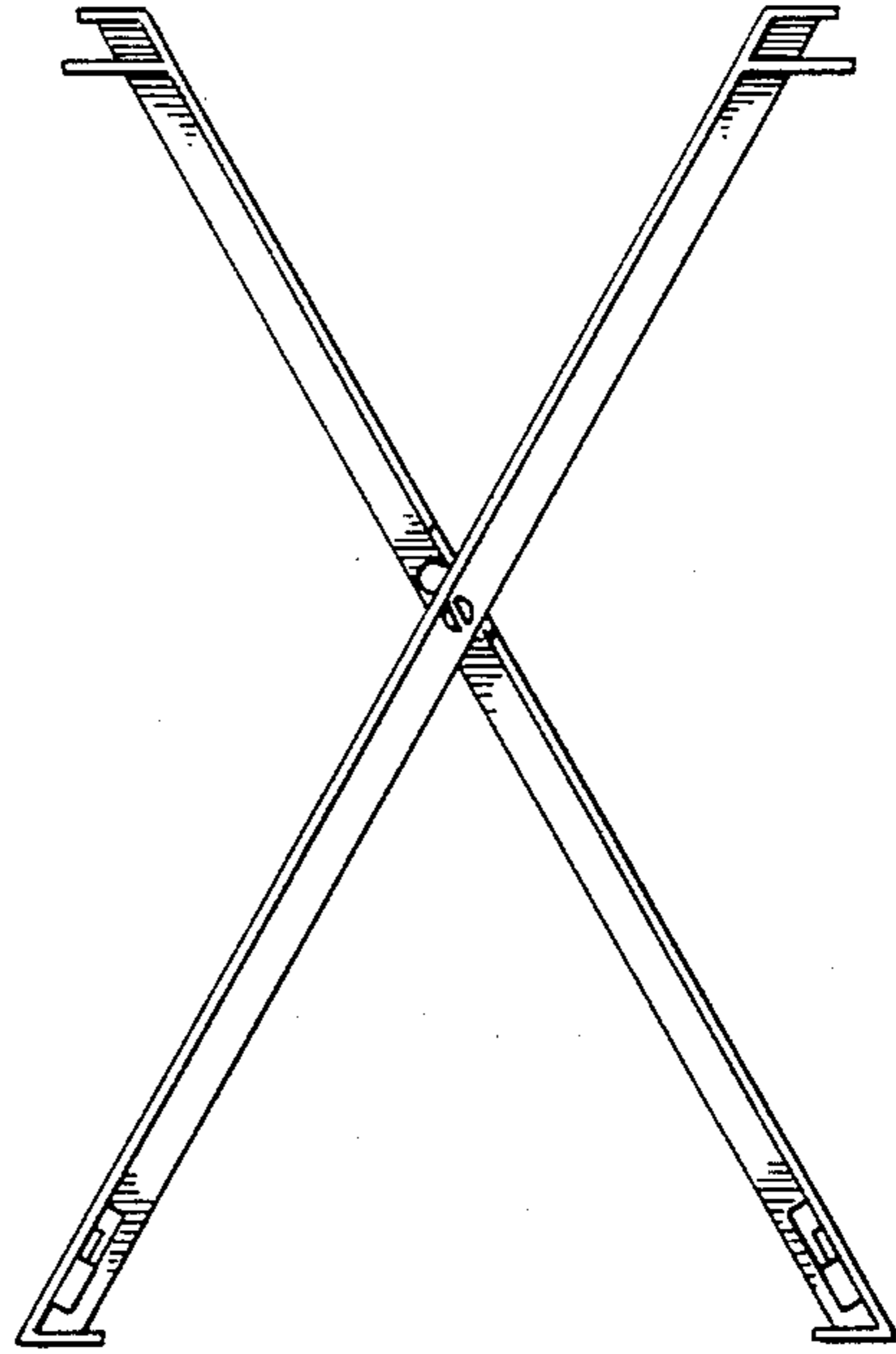
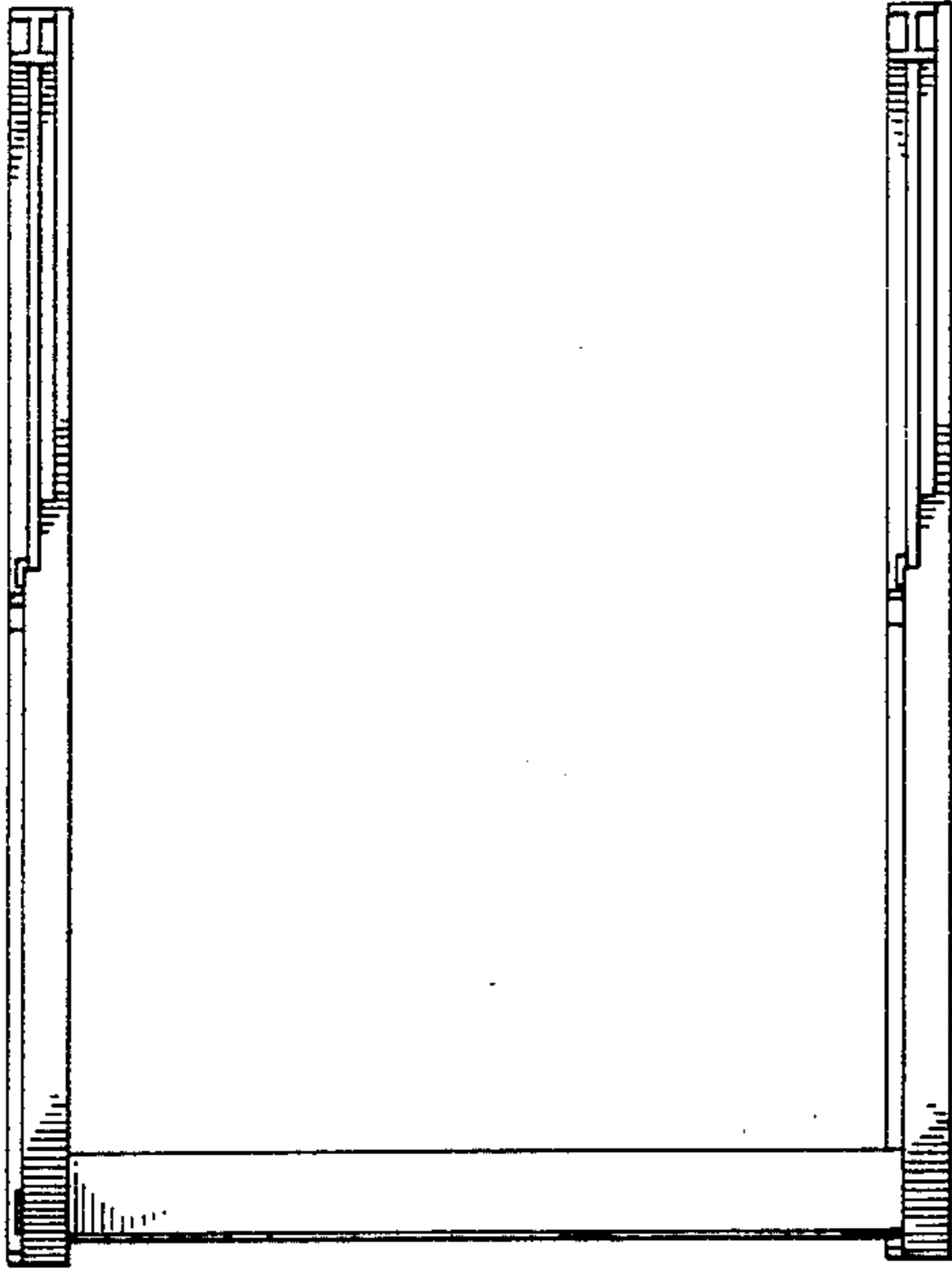


Fig. 5

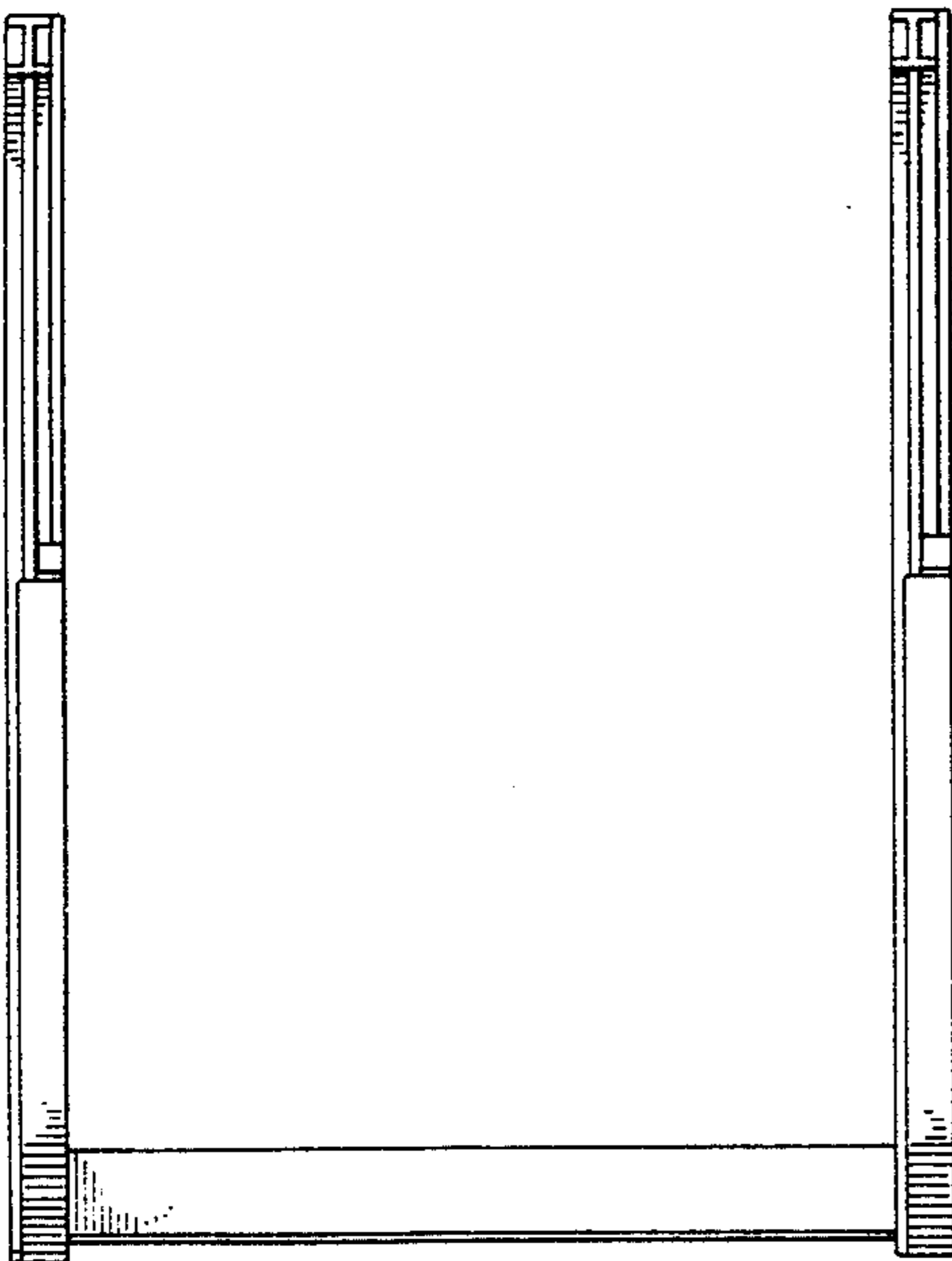


Fig. 6

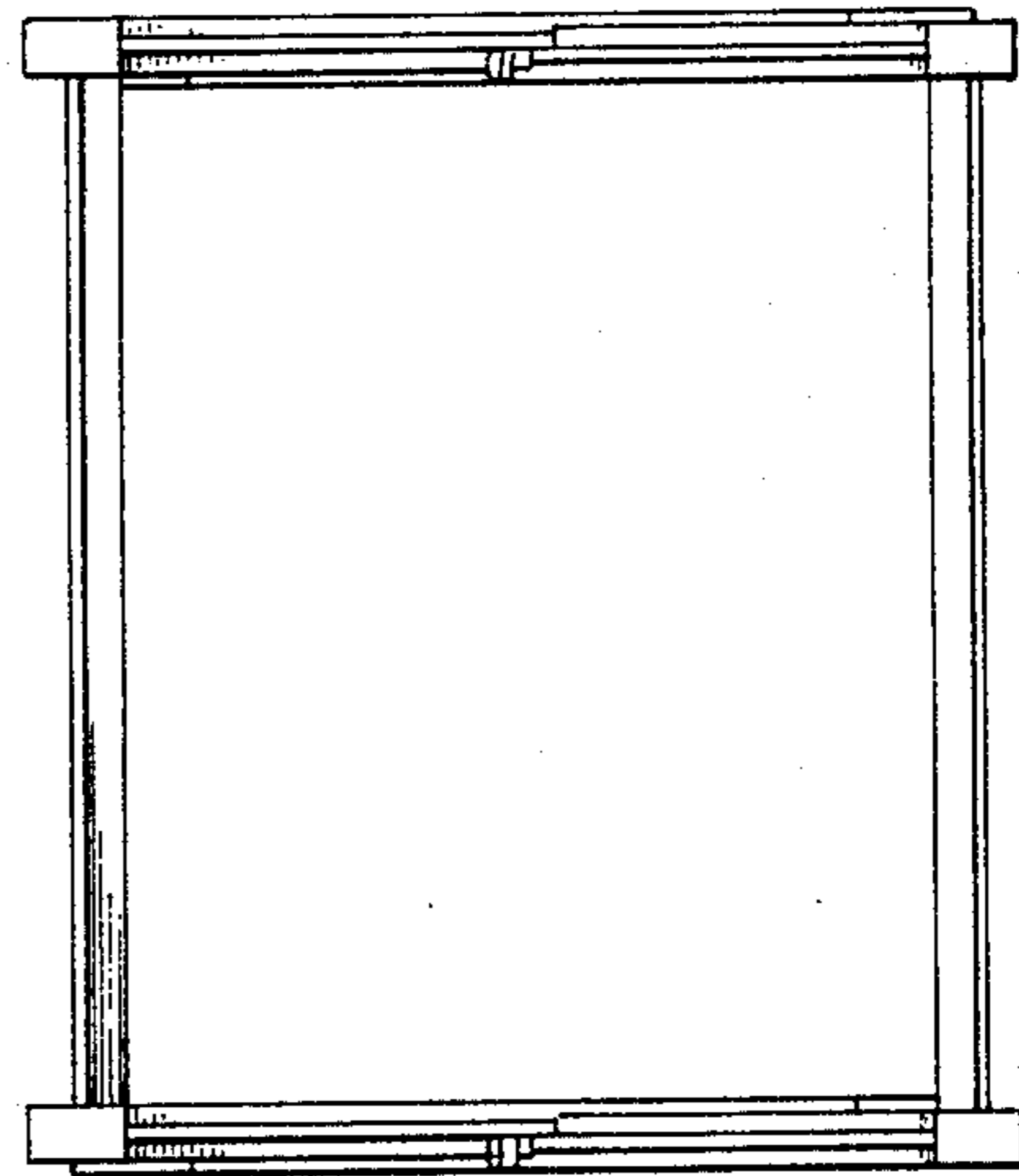


Fig. 7