

[54] BUILDING

[75] Inventor: Ernest F. J. Prinzhorn, Pasadena, Calif.

[73] Assignee: QRS Corporation, Los Angeles, Calif.

[**] Term: 14 Years

[21] Appl. No.: 552,727

[22] Filed: Nov. 17, 1983

[52] U.S. Cl. D99/28; D25/1; D25/16; D25/33

[58] Field of Search D99/28, 43; D25/1 X, D25/16 X, 33, 59; 109/10, 11, 12, 21, 1 V, 7 R, 19, 24.1

[56] References Cited

U.S. PATENT DOCUMENTS

D. 269,822	7/1983	Barthel	D99/28
D. 275,893	10/1984	Duggar	D25/1 X
D. 278,176	3/1985	Root	D99/28

Primary Examiner—A. Hugo Word
Attorney, Agent, or Firm—Saul Epstein

[57] CLAIM

The ornamental design for a building, substantially as shown and described.

DESCRIPTION

FIG. 1 is a perspective view of a first embodiment of a building showing my new design;
 FIG. 2 is a front view of the first and second embodiments of the invention;
 FIG. 3 is a left side view of the first embodiment of the invention;
 FIG. 4 is a rear view of the first and second embodiments of the invention;
 FIG. 5 is a top view of the first and second embodiments of the invention;
 FIG. 6 is a perspective view of a second embodiment of the invention;
 FIG. 7 is a left side view of the second embodiment of the invention;
 FIG. 8 is a perspective view of a third embodiment of the invention;
 FIG. 9 is a front view of the third embodiment of the invention;
 FIG. 10 is a left side view of the third embodiment of the invention;
 FIG. 11 is a rear view of the third embodiment of the invention;
 FIG. 12 is a top view of the third embodiment of the invention.

The broken lines appearing in FIGS. 1, 2, 6, 8 and 9 represent an automated teller machine which may be installed in the invented building and forms no part of the invention. A representative automated teller machine is shown for illustrative purposes.

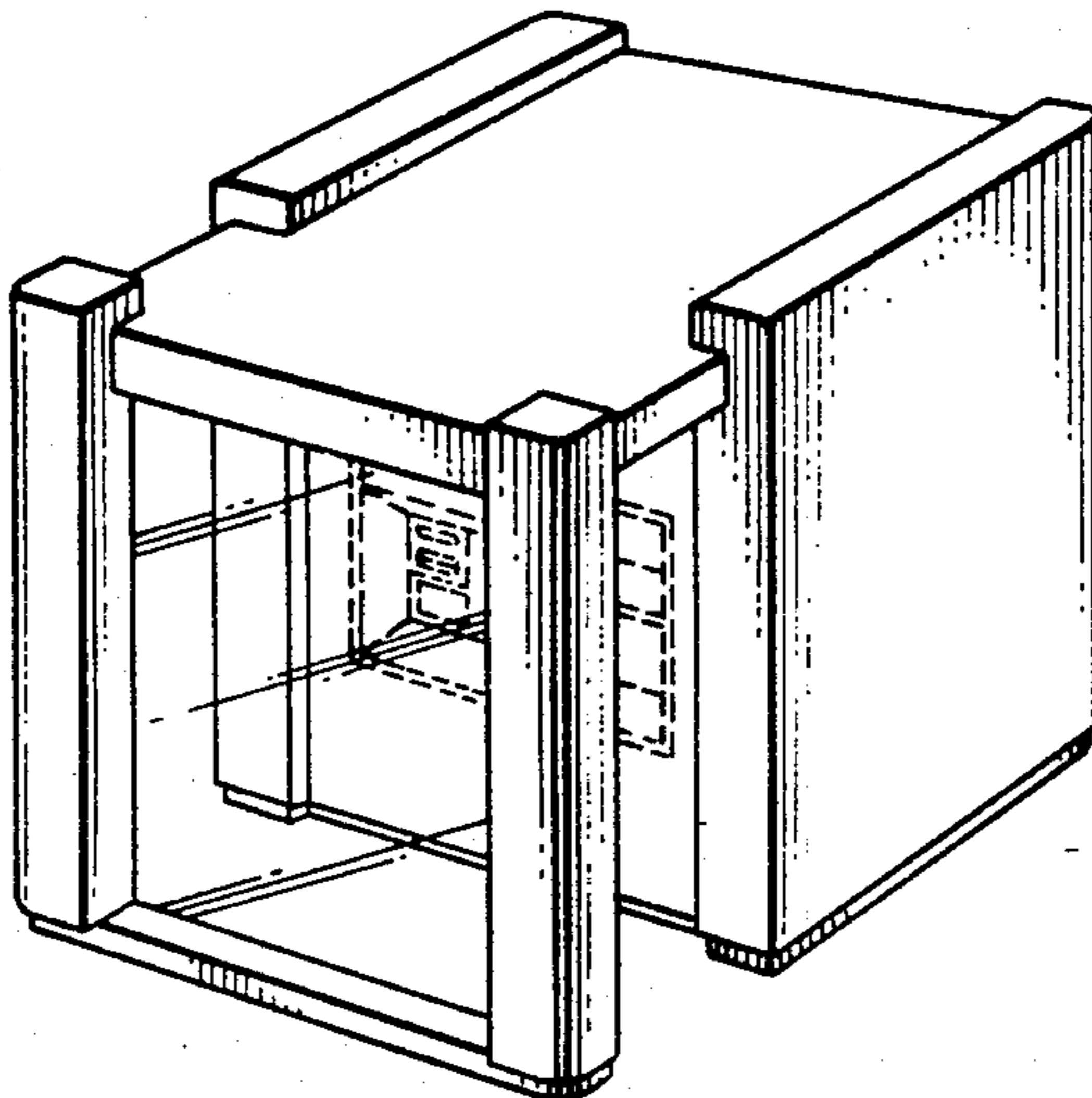


FIG. 1.

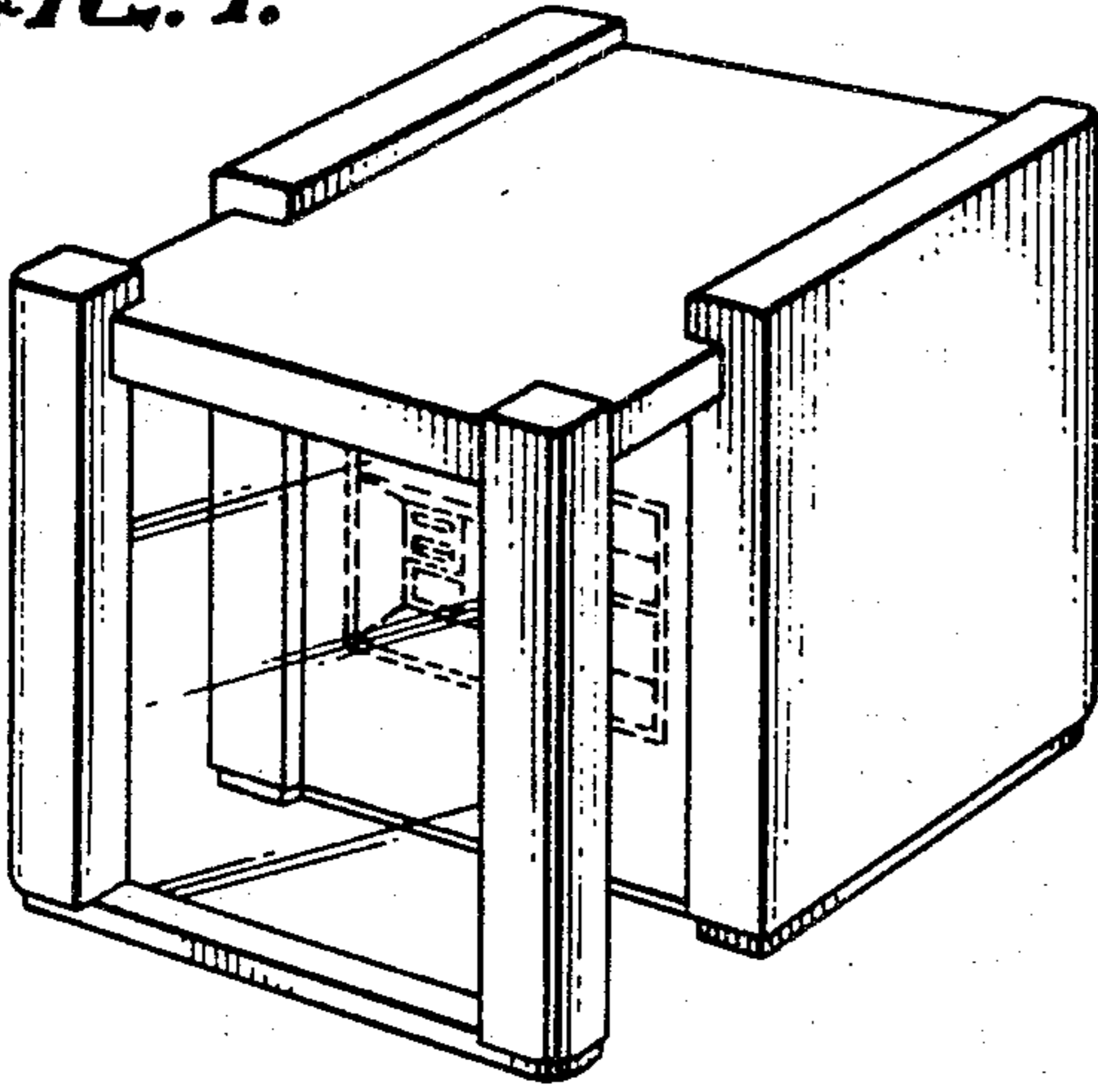


FIG. 2.

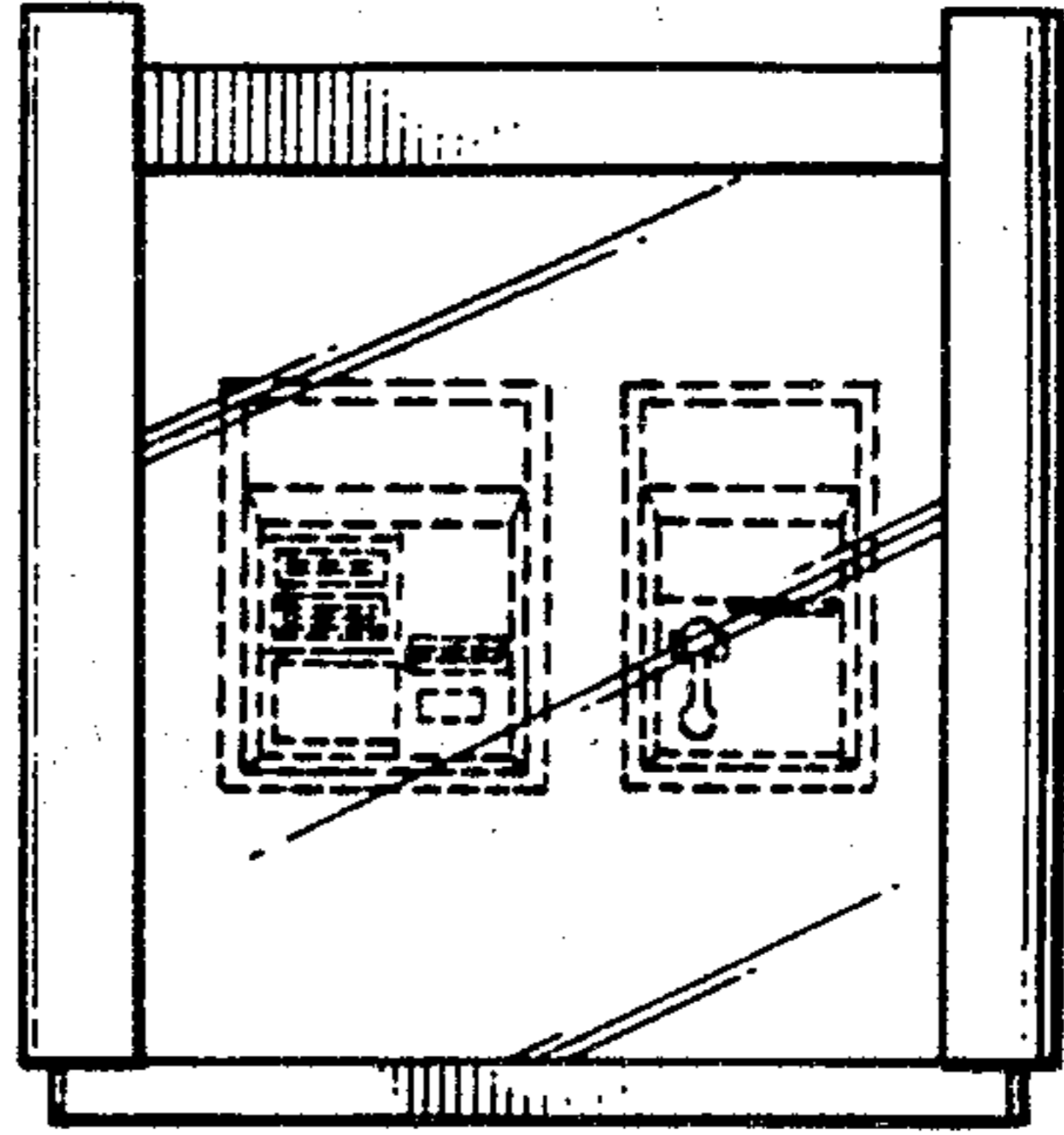


FIG. 3.

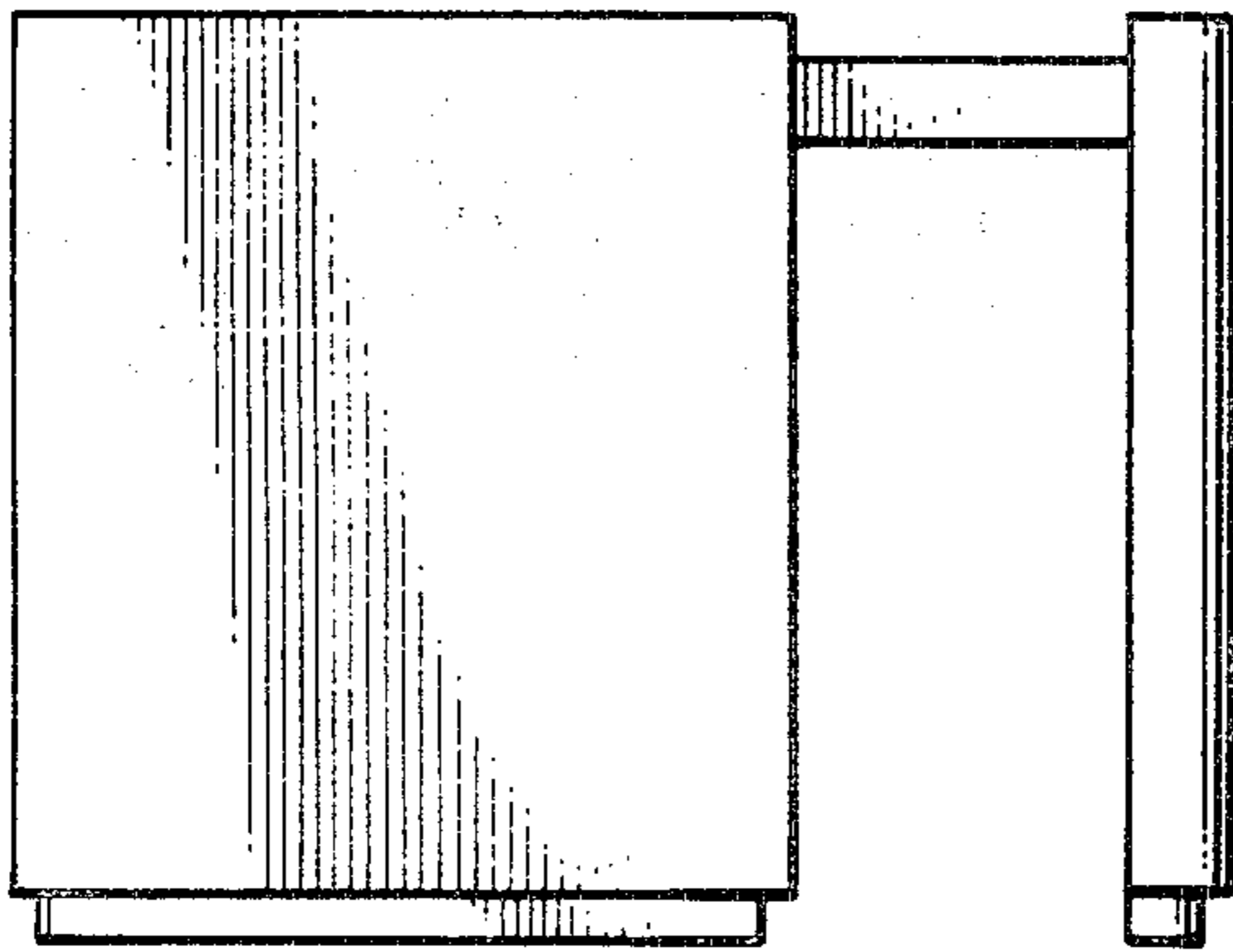


FIG. 4.

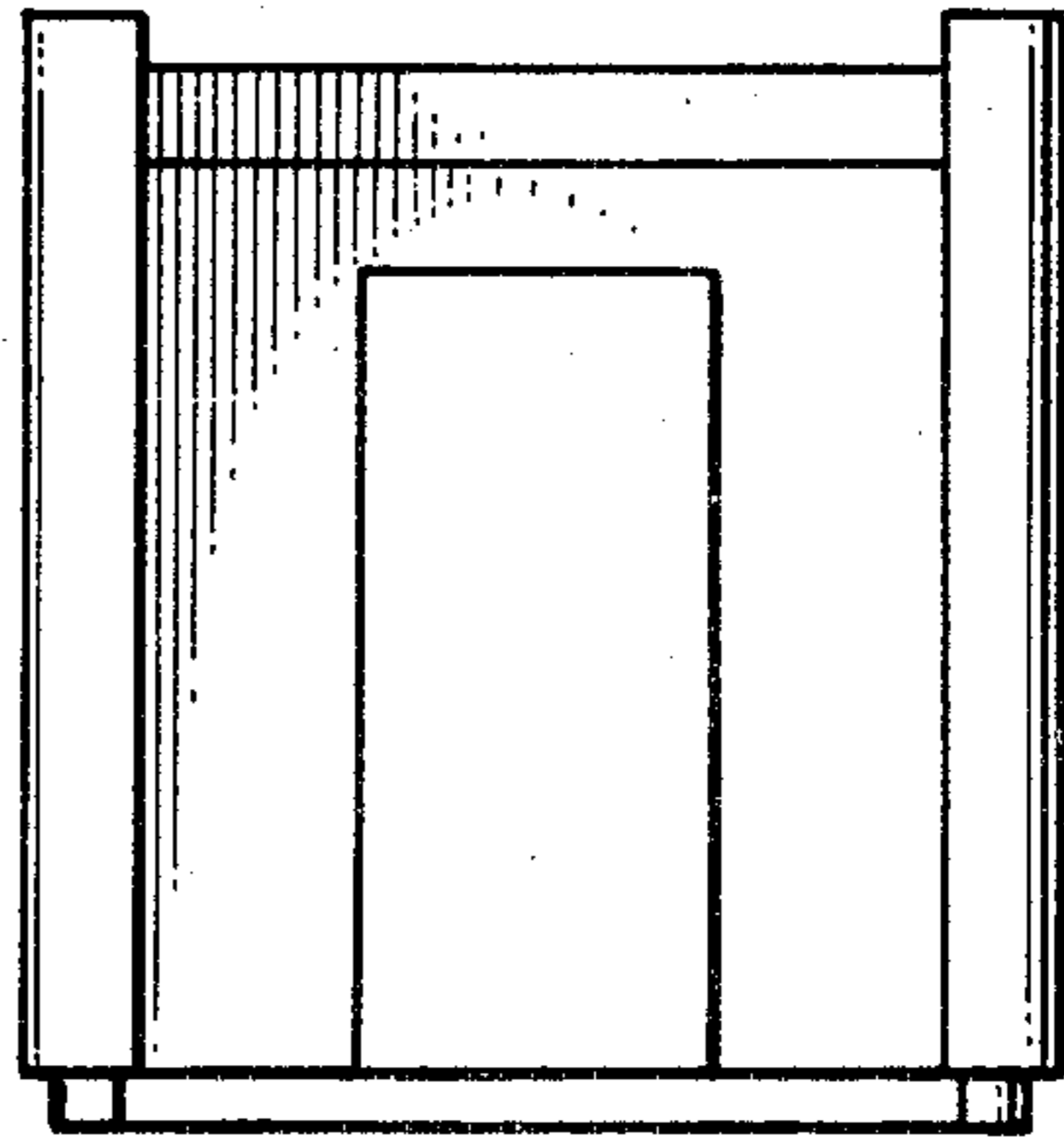


FIG. 5.

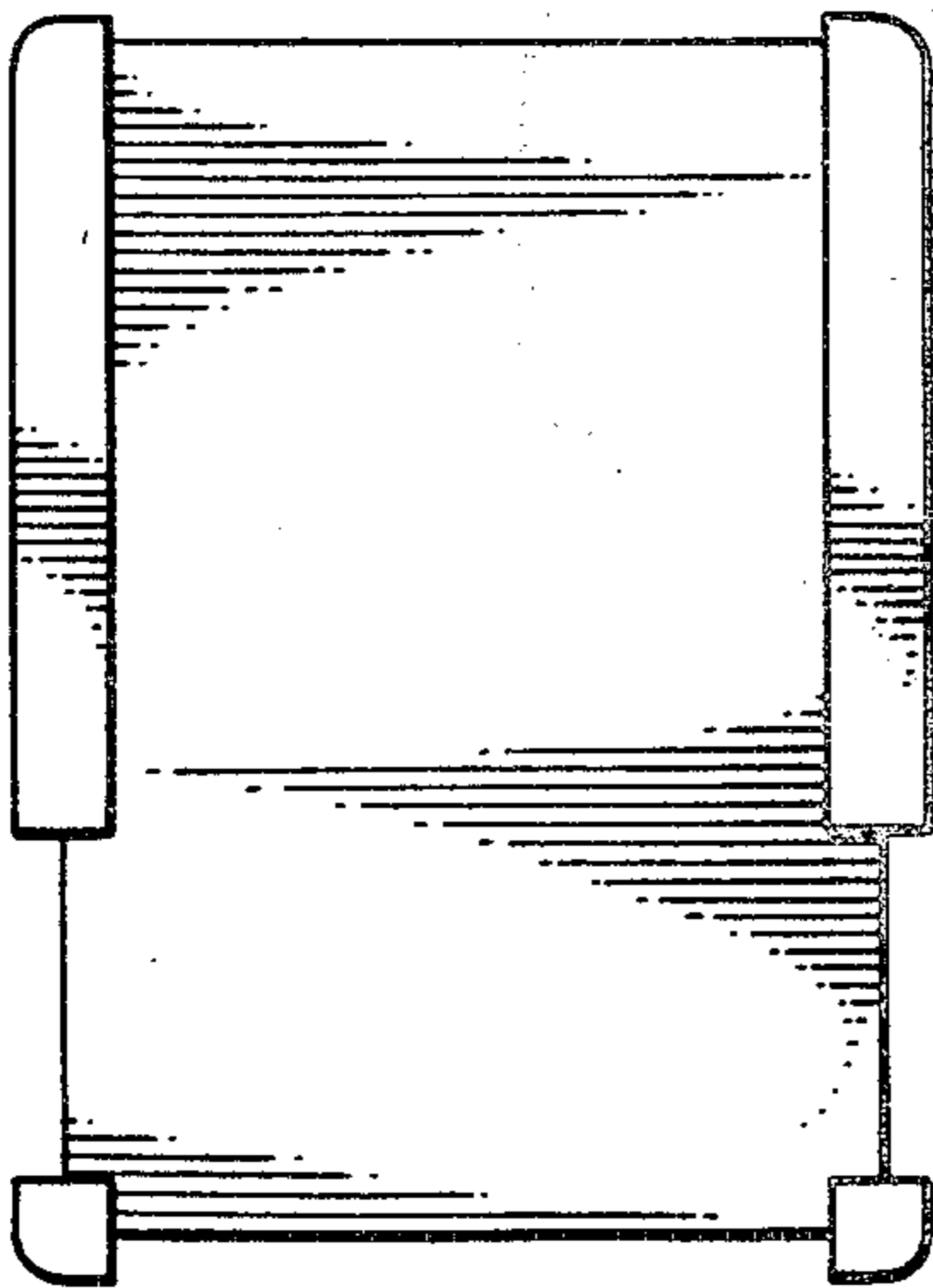


FIG. 6.

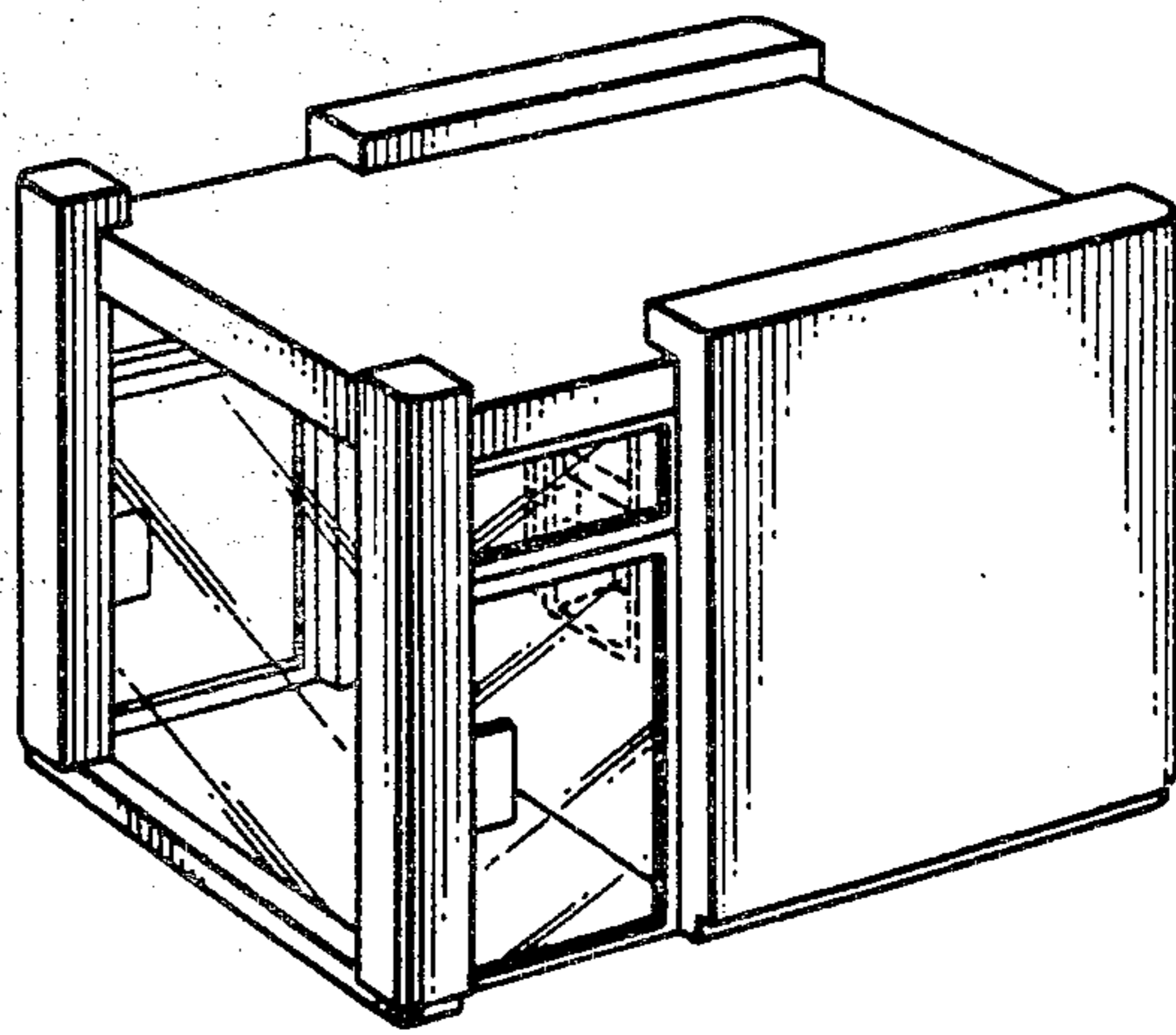


FIG. 7.

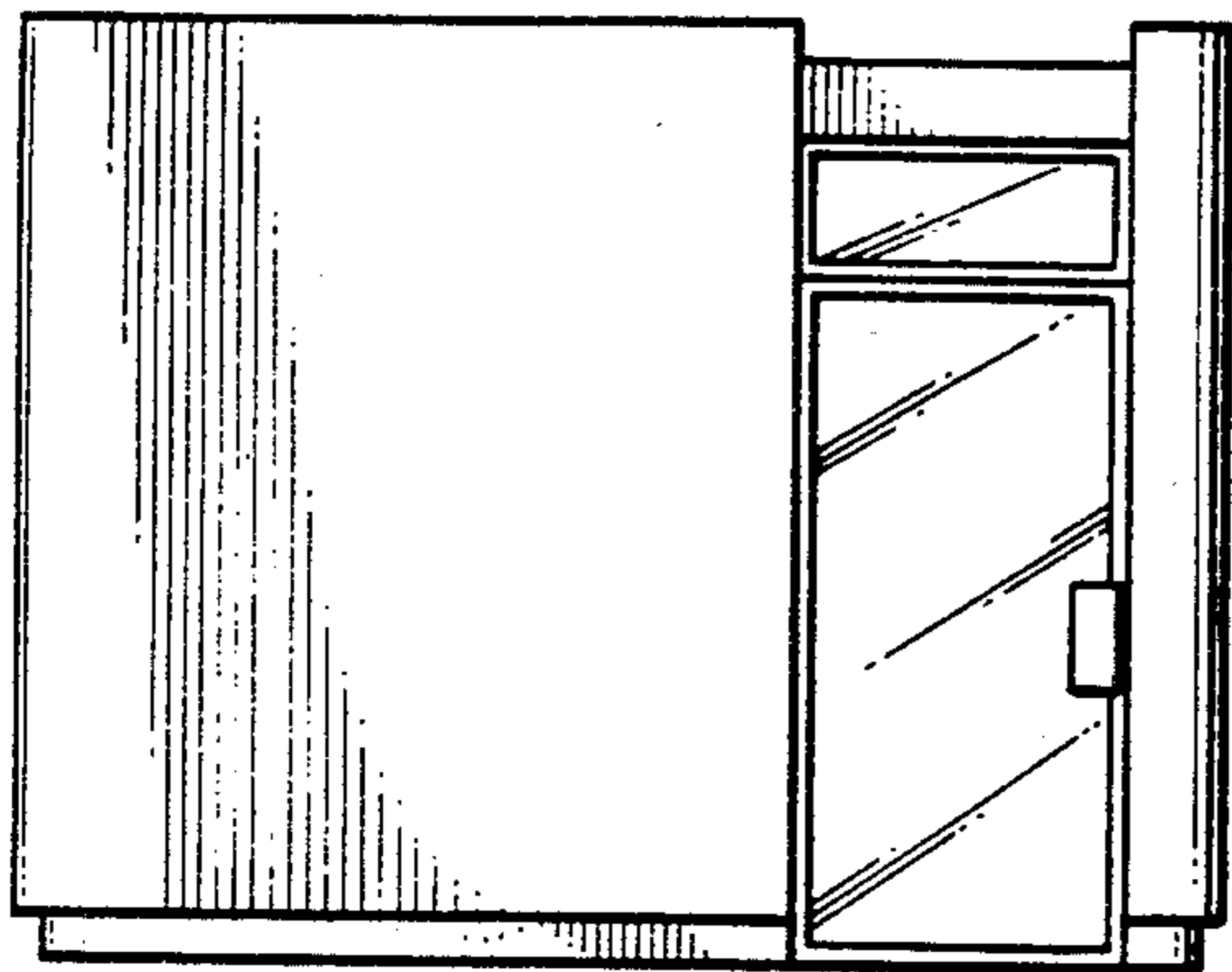


FIG. 9.

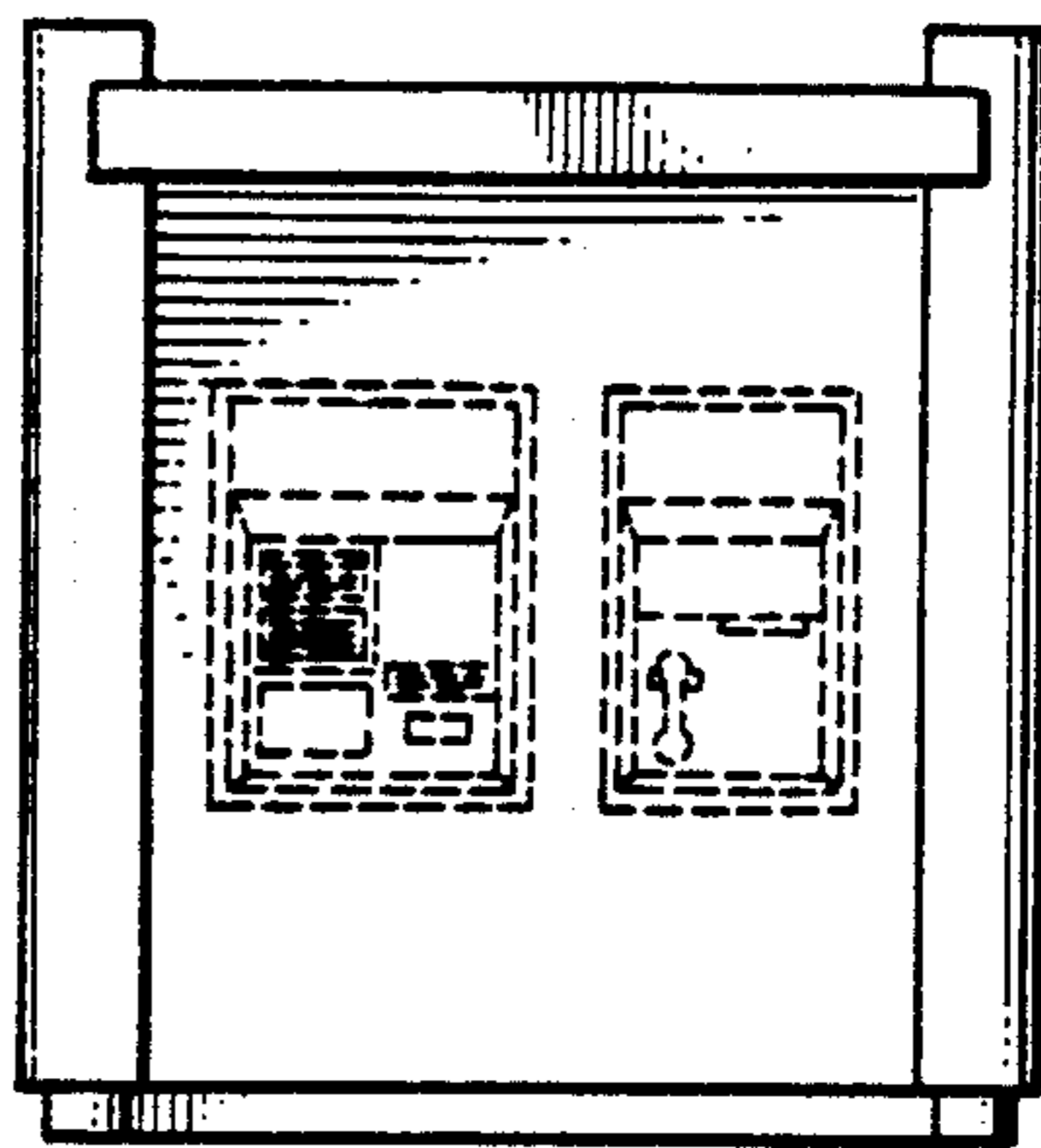


FIG. 8.

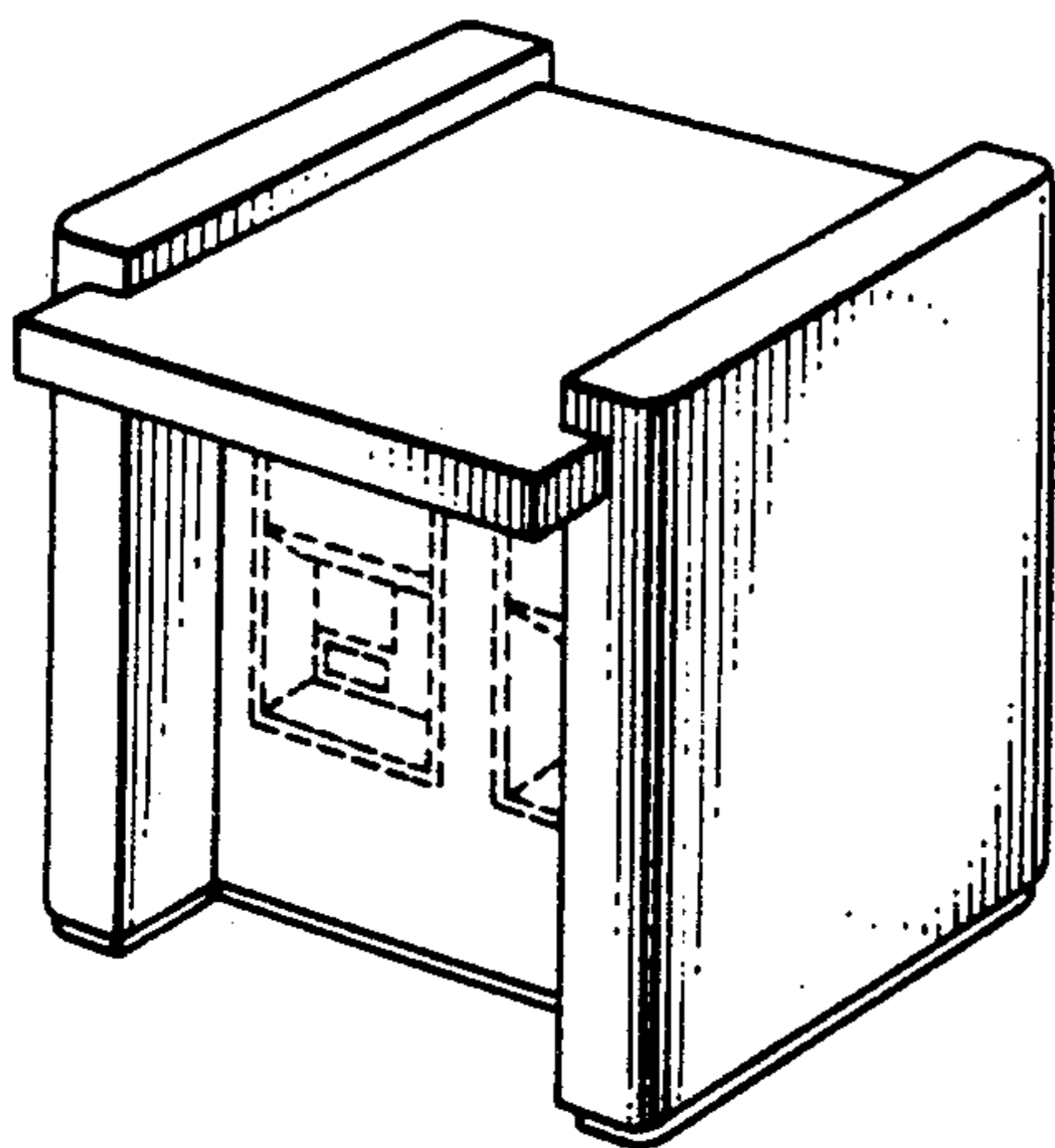


FIG. 10.

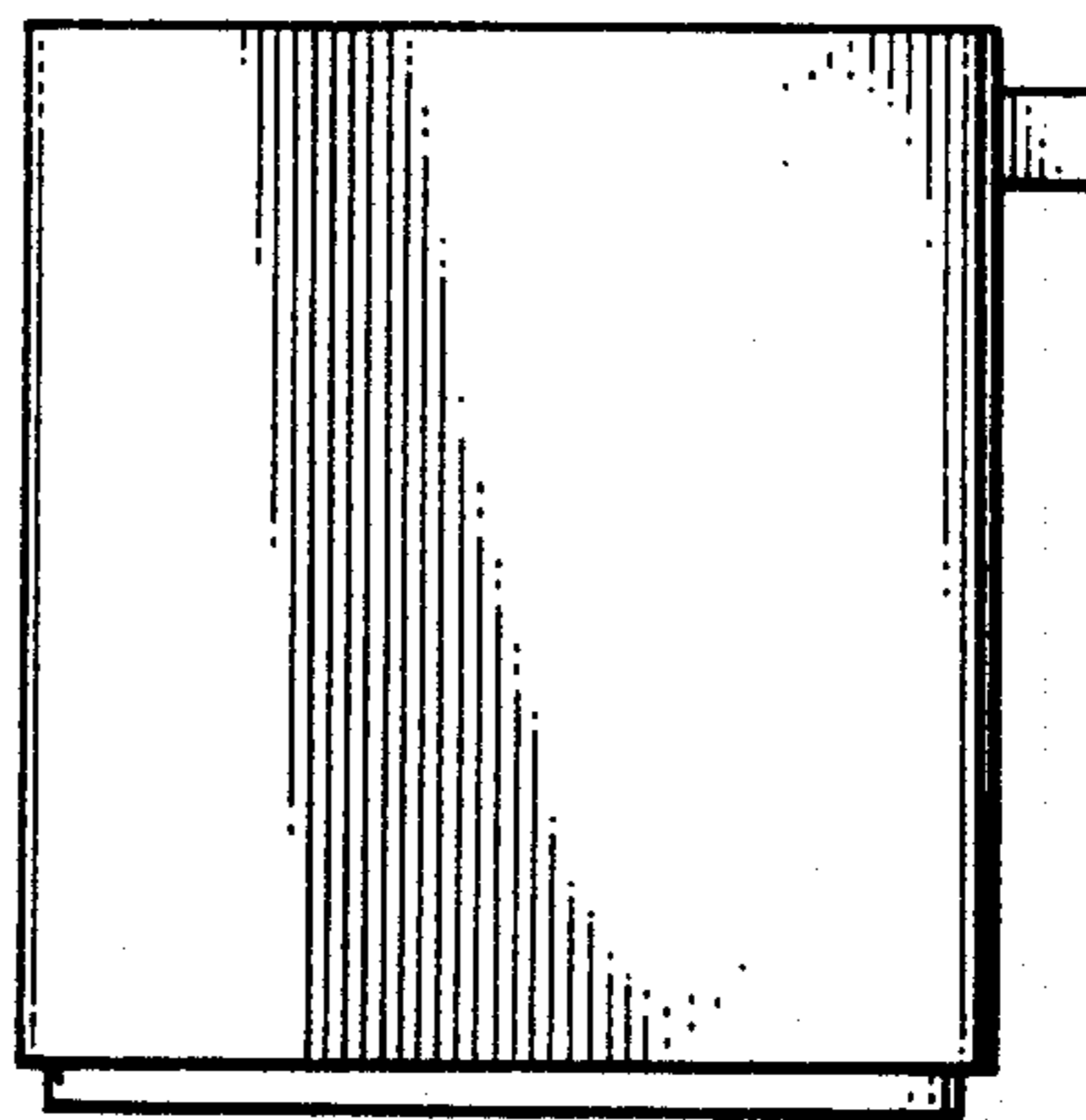


FIG. 11.

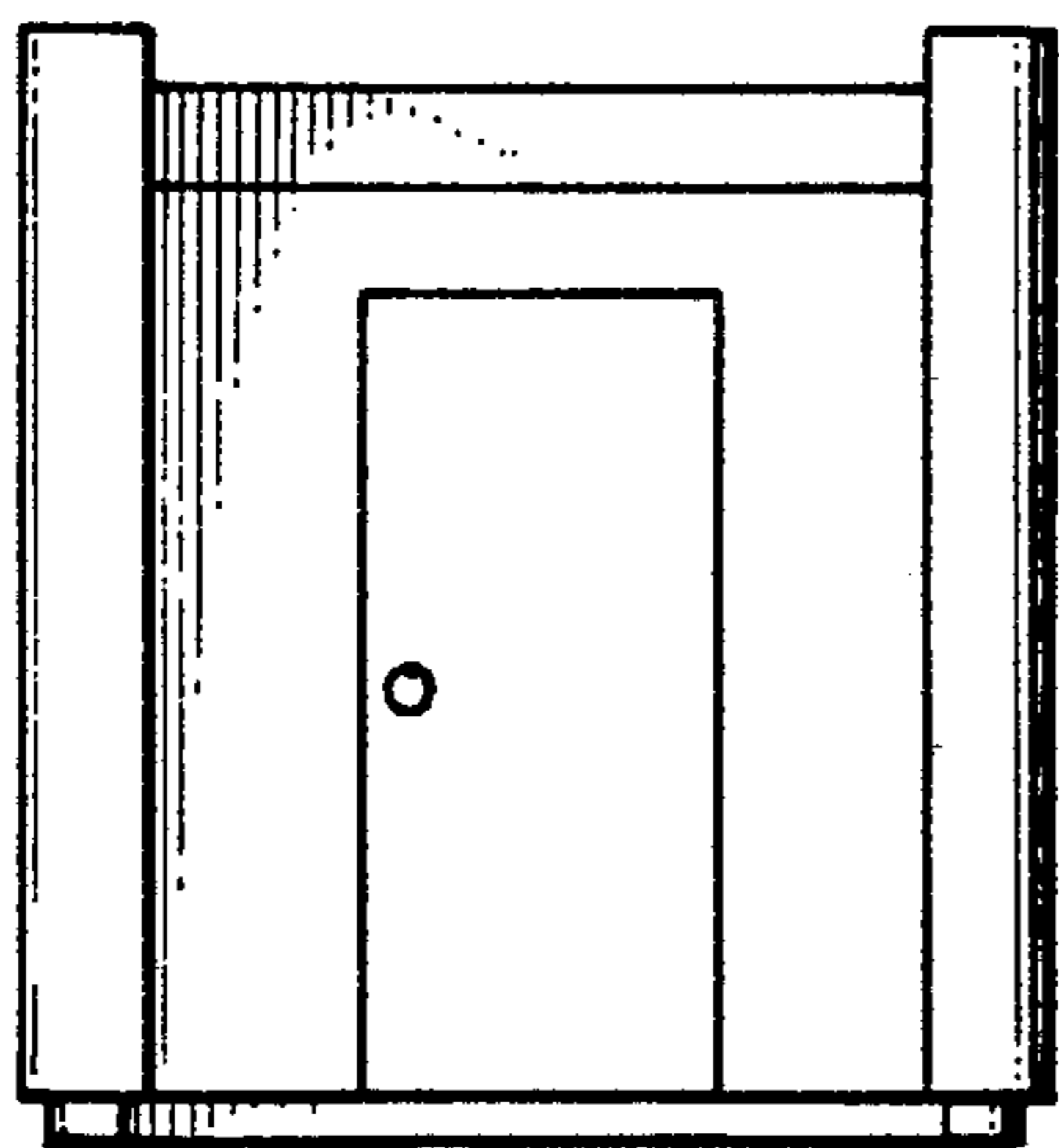


FIG. 12.

