

# United States Patent [19]

Van Asten

[11] Patent Number: **Des. 286,095**

[45] Date of Patent: **\*\* Oct. 7, 1986**

[54] TRAVEL IRON

[75] Inventor: **Jan F. Van Asten, Leek, Netherlands**

[73] Assignee: **U.S. Philips Corporation, New York, N.Y.**

[\*\*] Term: **14 Years**

[21] Appl. No.: **594,637**

[22] Filed: **Mar. 29, 1984**

[30] **Foreign Application Priority Data**

Oct. 11, 1983 [XB] Benelux ..... 58337-02

[52] U.S. Cl. .... **D32/69; D32/70**

[58] Field of Search ..... **D32/68-72; 38/74, 75, 77.1-77.9, 79, 81, 88-92, 95**

[56] **References Cited**

**U.S. PATENT DOCUMENTS**

D. 275,042	8/1984	Stowell et al. ....	D32/70
D. 276,473	11/1984	Ogawa et al. ....	D32/70
D. 278,752	5/1985	Shalvoy et al. ....	D32/70
D. 279,416	6/1985	Chan .....	D32/69
2,763,075	9/1956	Vance .....	38/77.4 X

2,786,287	3/1957	Swann .....	38/77.4
3,229,392	1/1966	Canilleri .....	38/90
3,672,080	6/1972	Murphy et al. ....	38/90

**OTHER PUBLICATIONS**

Sanyo Portable Travel Iron brochure—printed Jul. 1981.

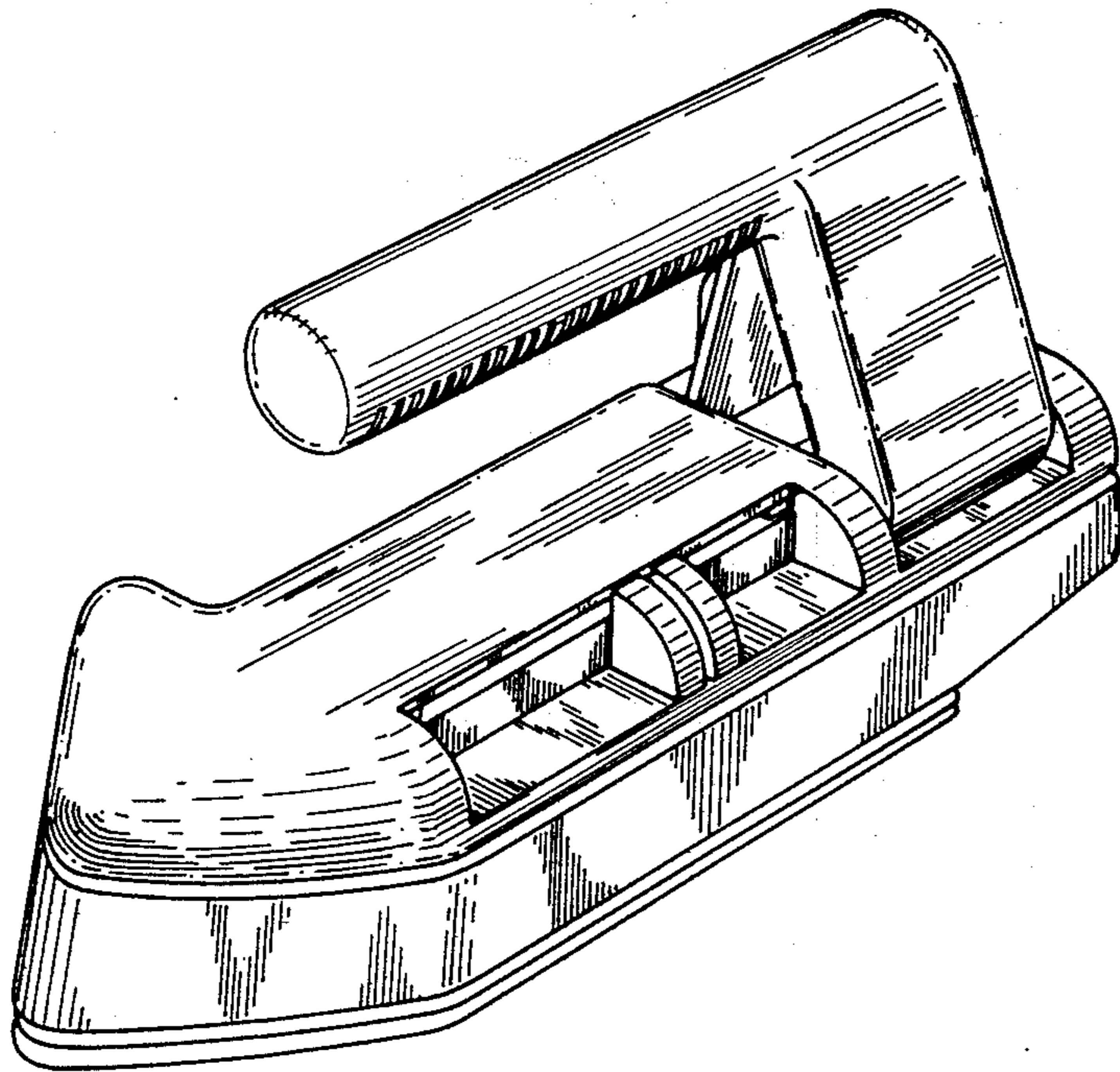
*Primary Examiner*—Catherine E. Kemper  
*Attorney, Agent, or Firm*—Rolf E. Schneider

[57] **CLAIM**

The ornamental design for a travel iron, as shown and described.

**DESCRIPTION**

FIG. 1 is a front, top and right side perspective view of a travel iron showing my new design, the foldable handle being in its upright position;  
FIG. 2 is a front elevational view thereof;  
FIG. 3 is a rear elevational view thereof;  
FIG. 4 is a right side elevational view thereof;  
FIG. 5 is a left side elevational view thereof;  
FIG. 6 is a top plan view thereof;  
FIG. 7 is a bottom plan view thereof; and  
FIG. 8 is a perspective view like FIG. 1 with the handle in its folded position.



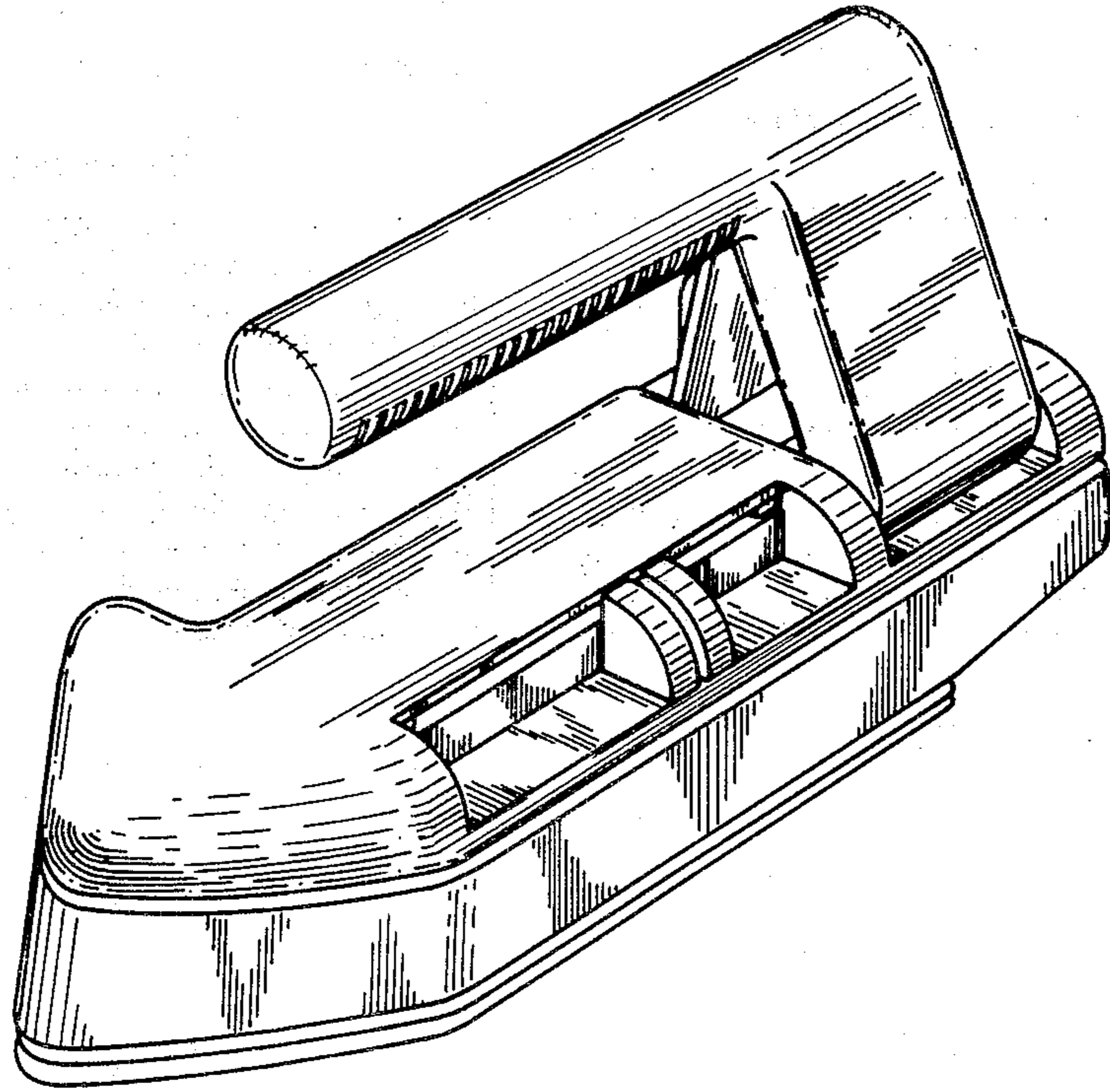
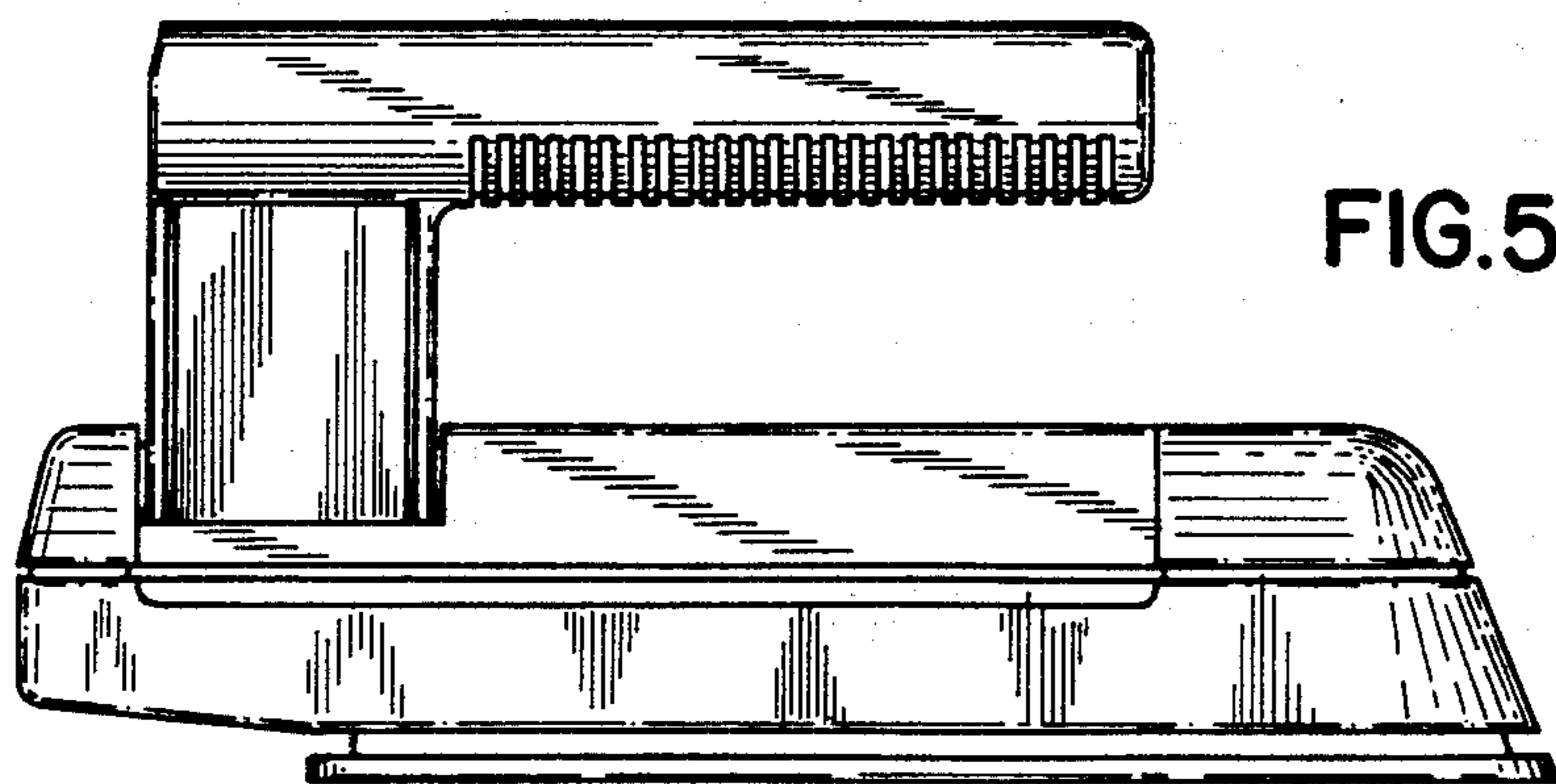
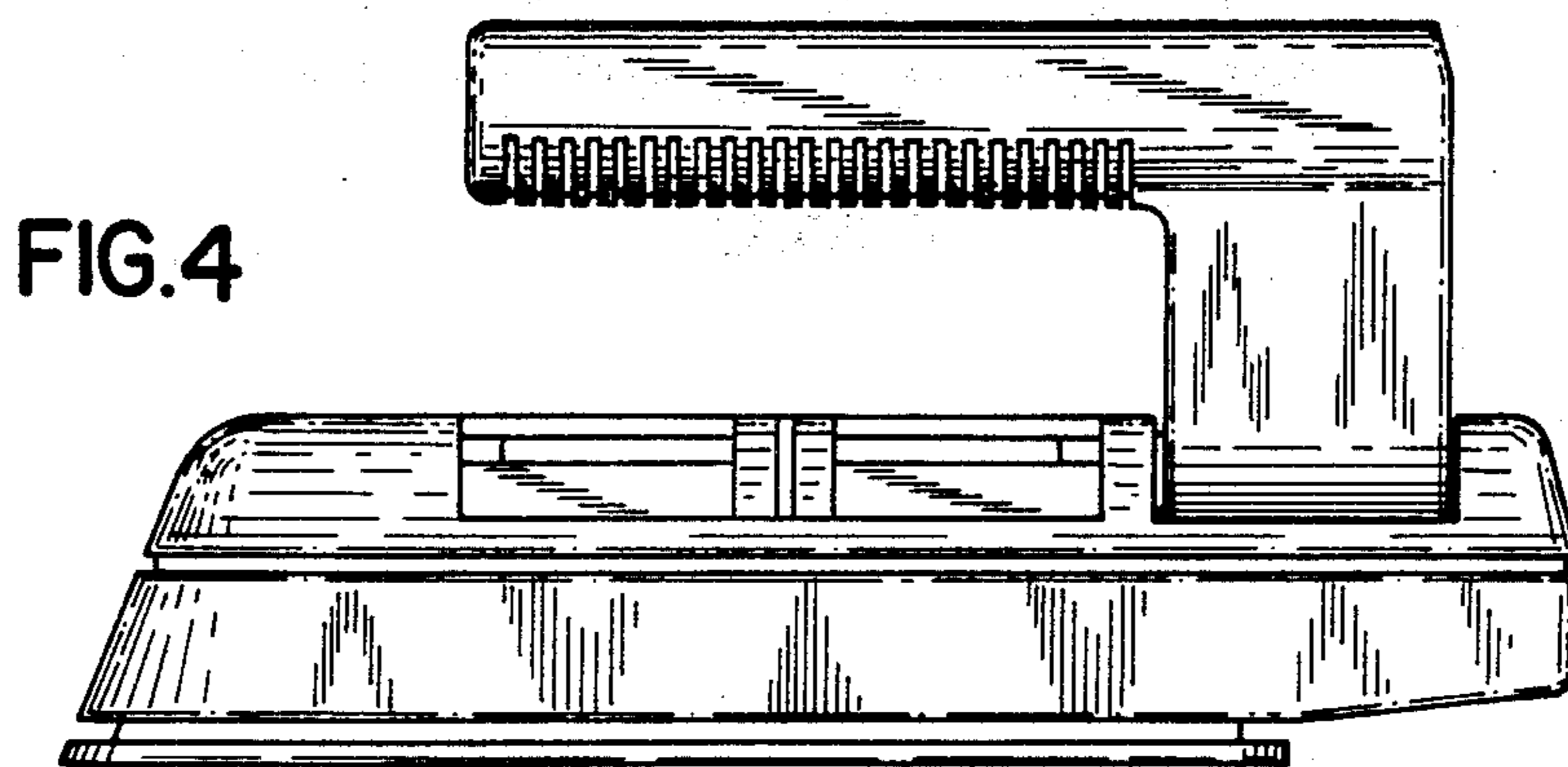
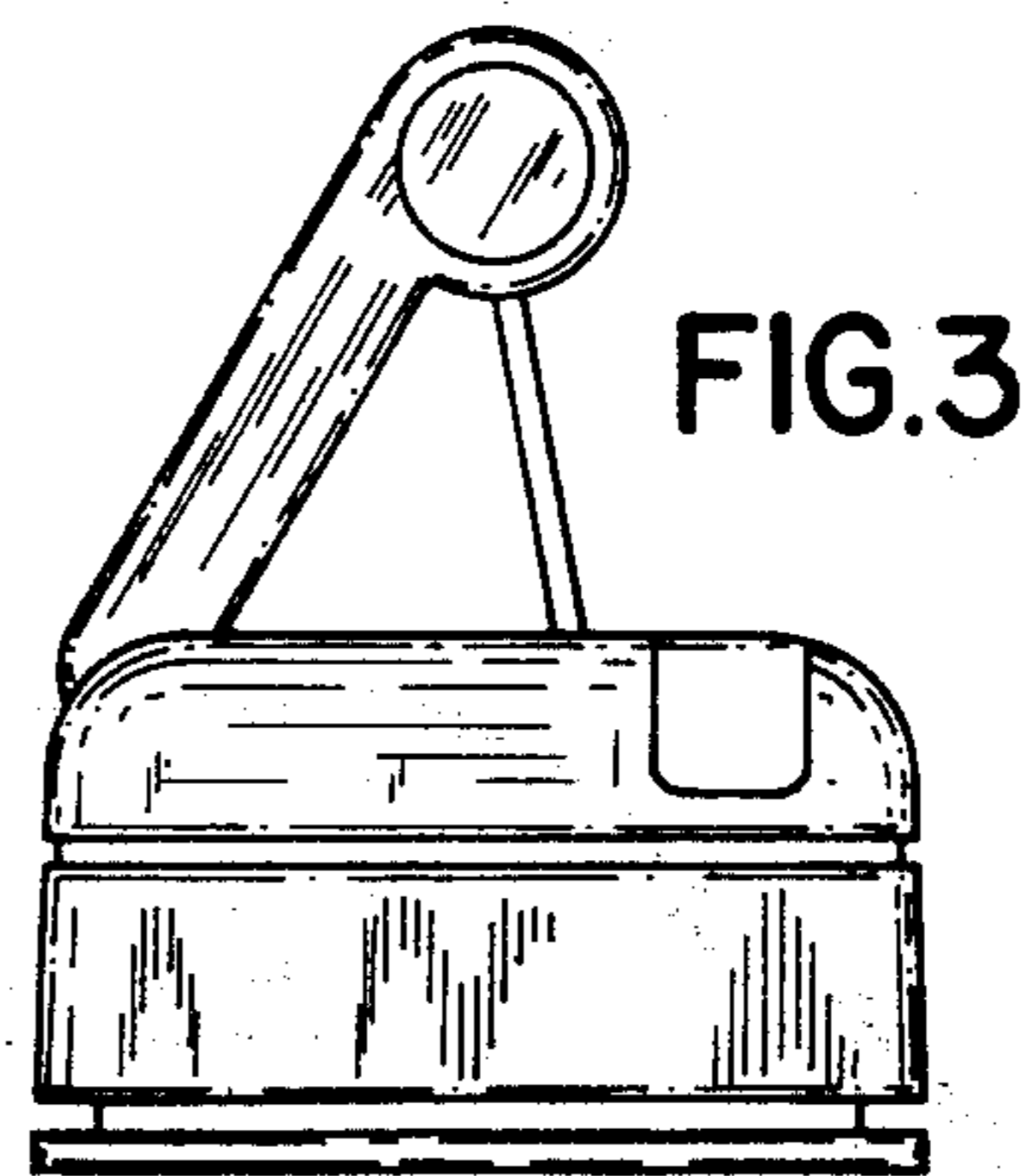
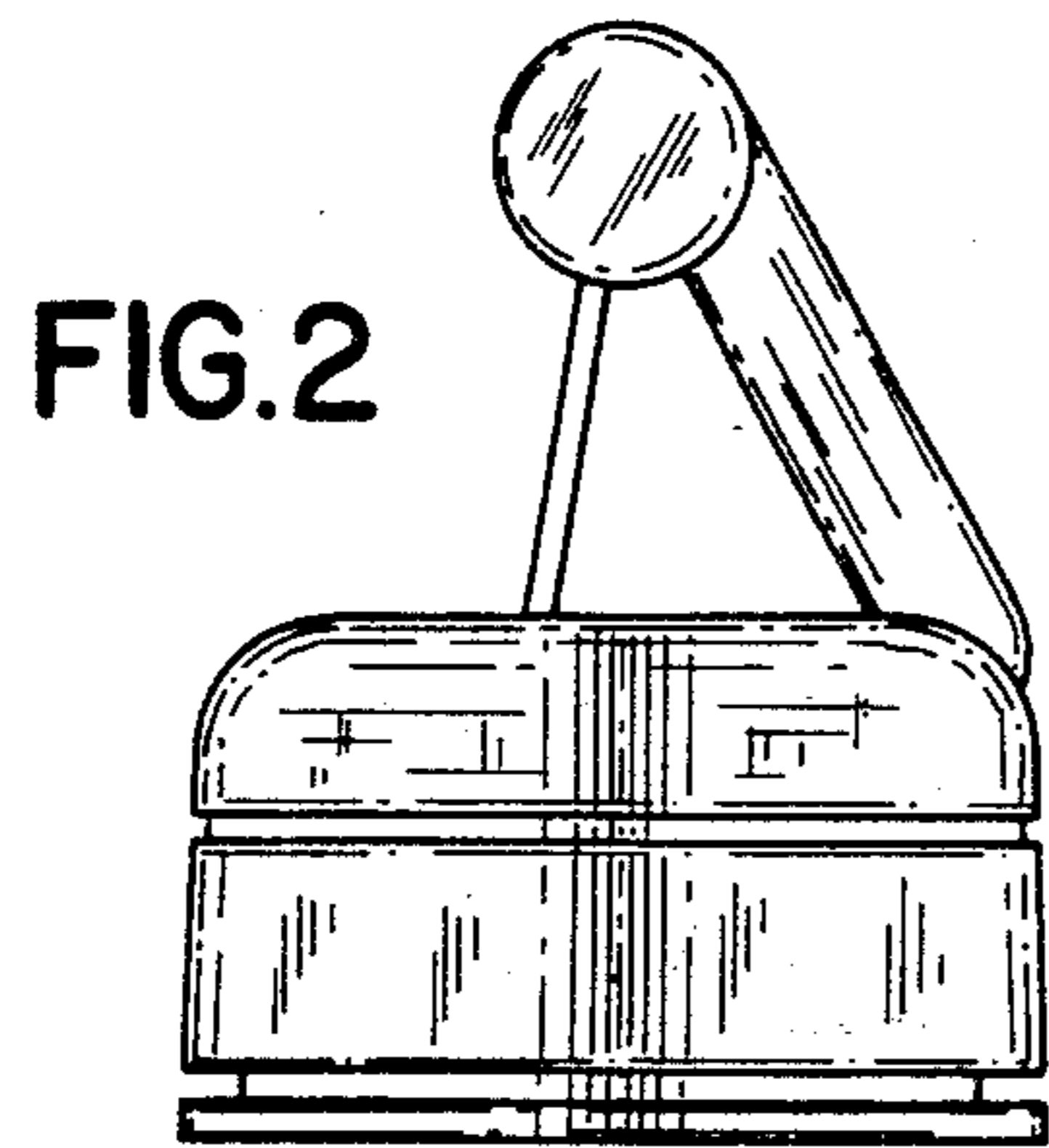


FIG. 1



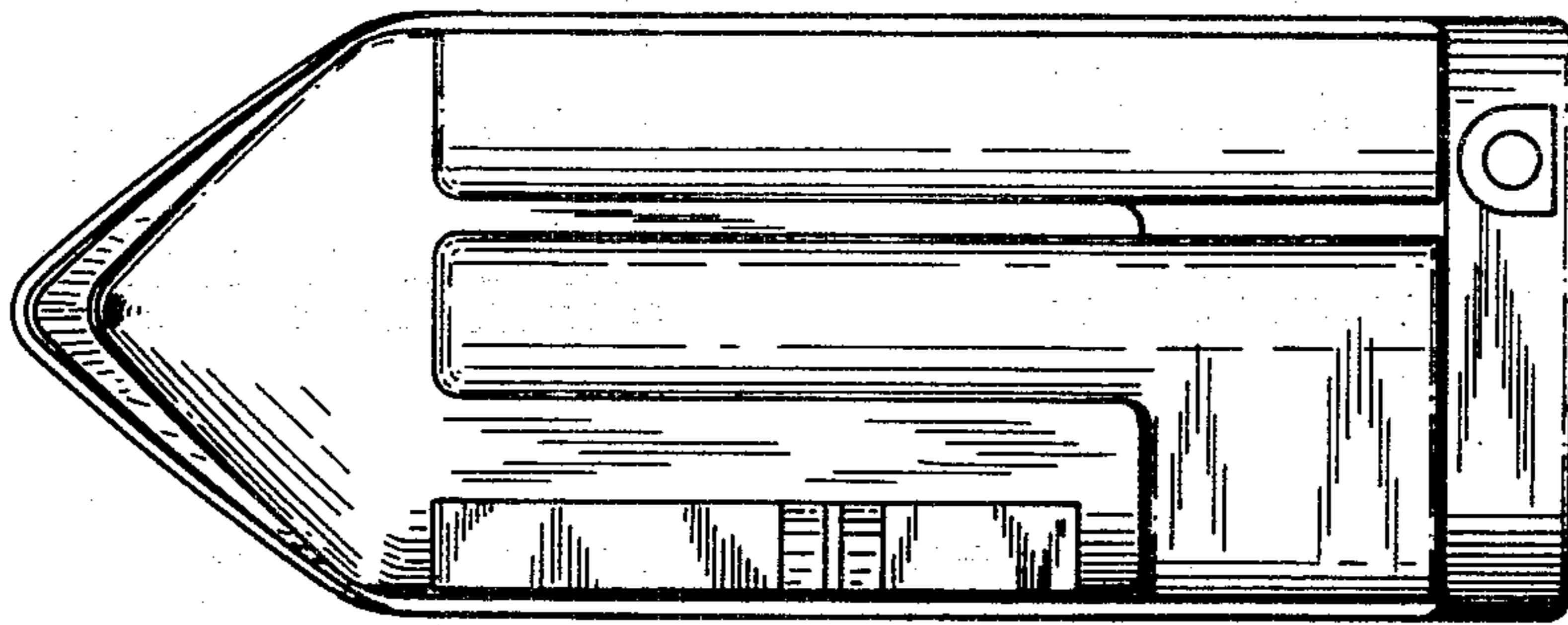


FIG. 6

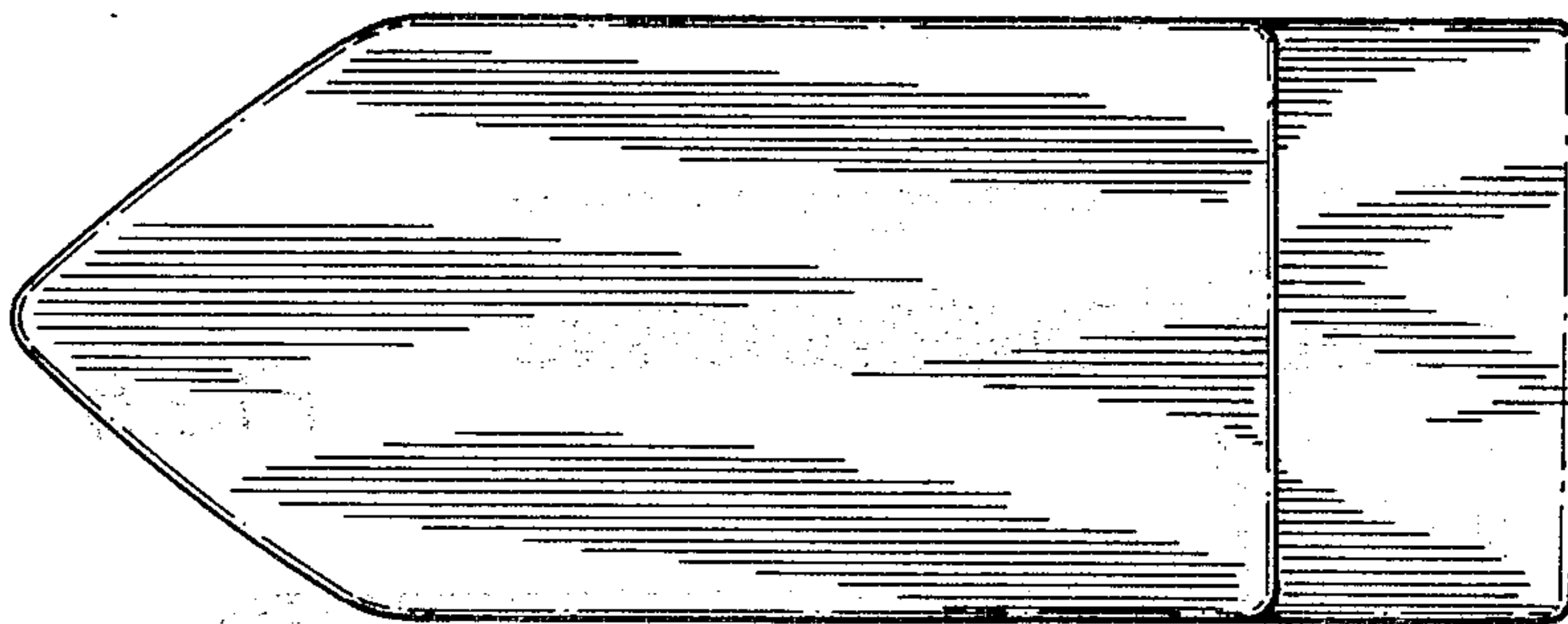


FIG. 7

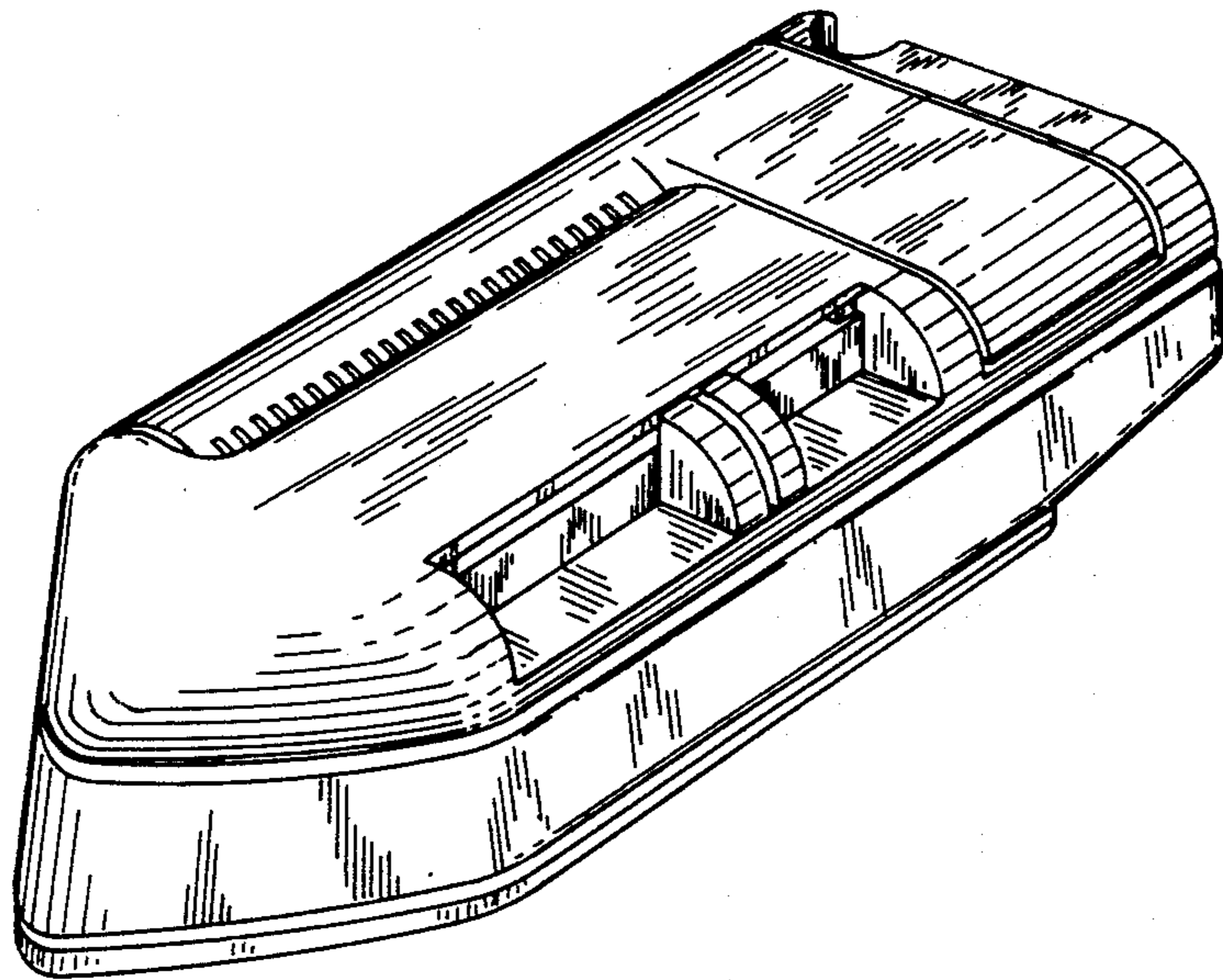


FIG. 8