

[54] **HAIR-DRYER**

[75] **Inventor: Murray I. C. Camens, Groningen, Netherlands**

[73] **Assignee: U.S. Philips Corporation, New York, N.Y.**

[**] **Term: 14 Years**

[21] **Appl. No.: 626,954**

[22] **Filed: Jul. 2, 1984**

[30] **Foreign Application Priority Data**

Jan. 25, 1984 [GB] United Kingdom 1017515
[52] **U.S. Cl. D28/13**
[58] **Field of Search D28/9, 10, 12, 13, 15-18, D28/24, 25, 35; 219/222; 34/96-101; 132/9**

[56]

References Cited

U.S. PATENT DOCUMENTS

D. 262,061 11/1981 Janssens D28/13
D. 274,153 6/1984 Nagelkerke D28/13
4,260,871 4/1981 Nagelkerke 132/9 X

OTHER PUBLICATIONS

Design, 8/1980, p. 35-Braun PGC 1000 Hair Dryer.

Primary Examiner—Louis S. Zarfes

Attorney, Agent, or Firm—Rolf E. Schneider

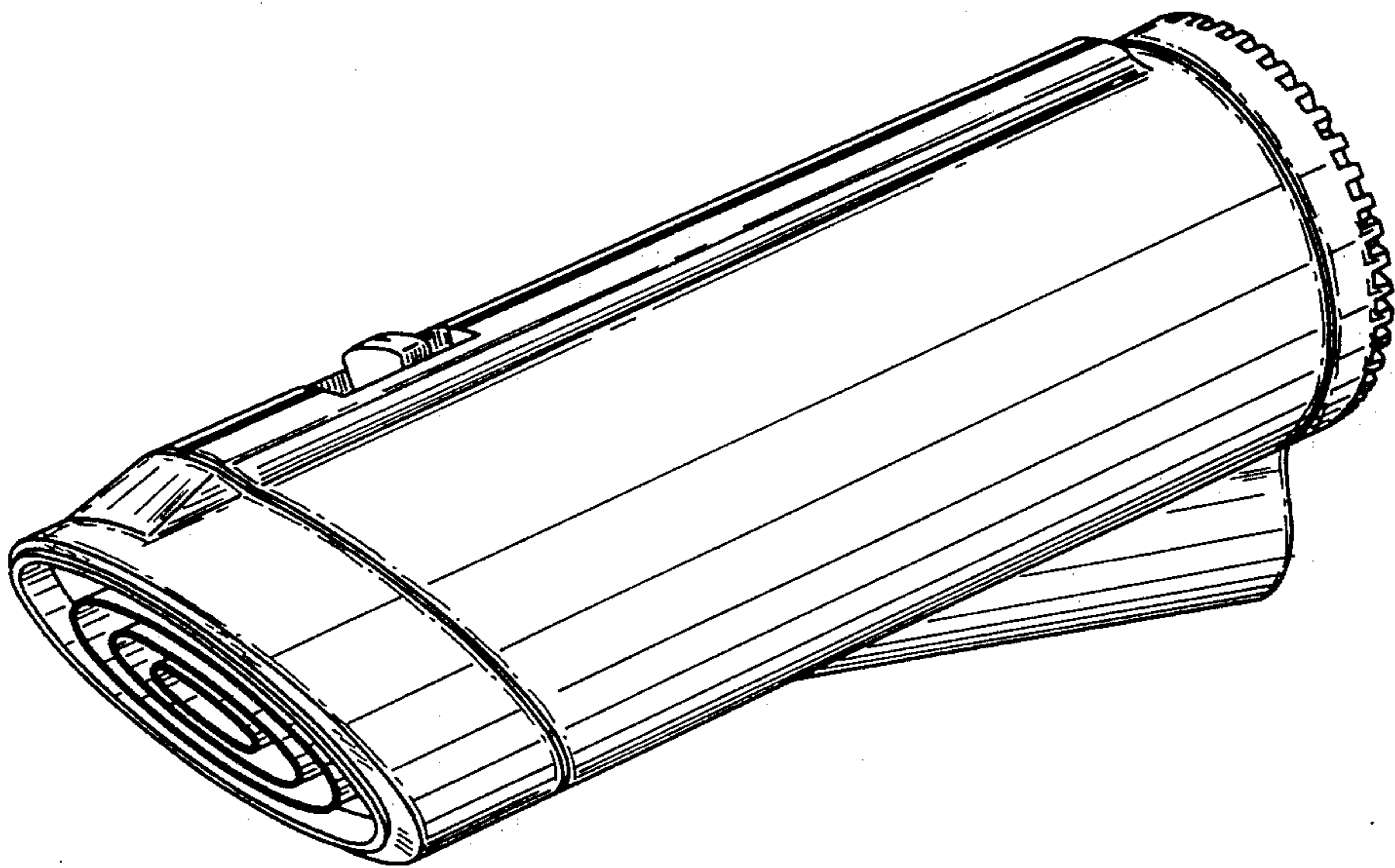
[57]

CLAIM

The ornamental design for a hair-dryer, as shown.

DESCRIPTION

FIG. 1 is a front, top and right side perspective view of a hair dryer showing my new design;
FIG. 2 is a right side elevational view thereof;
FIG. 3 is a left side elevational view thereof;
FIG. 4 is a top plan view thereof;
FIG. 5 is a bottom plan view thereof;
FIG. 6 is a front elevational view thereof; and
FIG. 7 is a rear elevational view thereof.



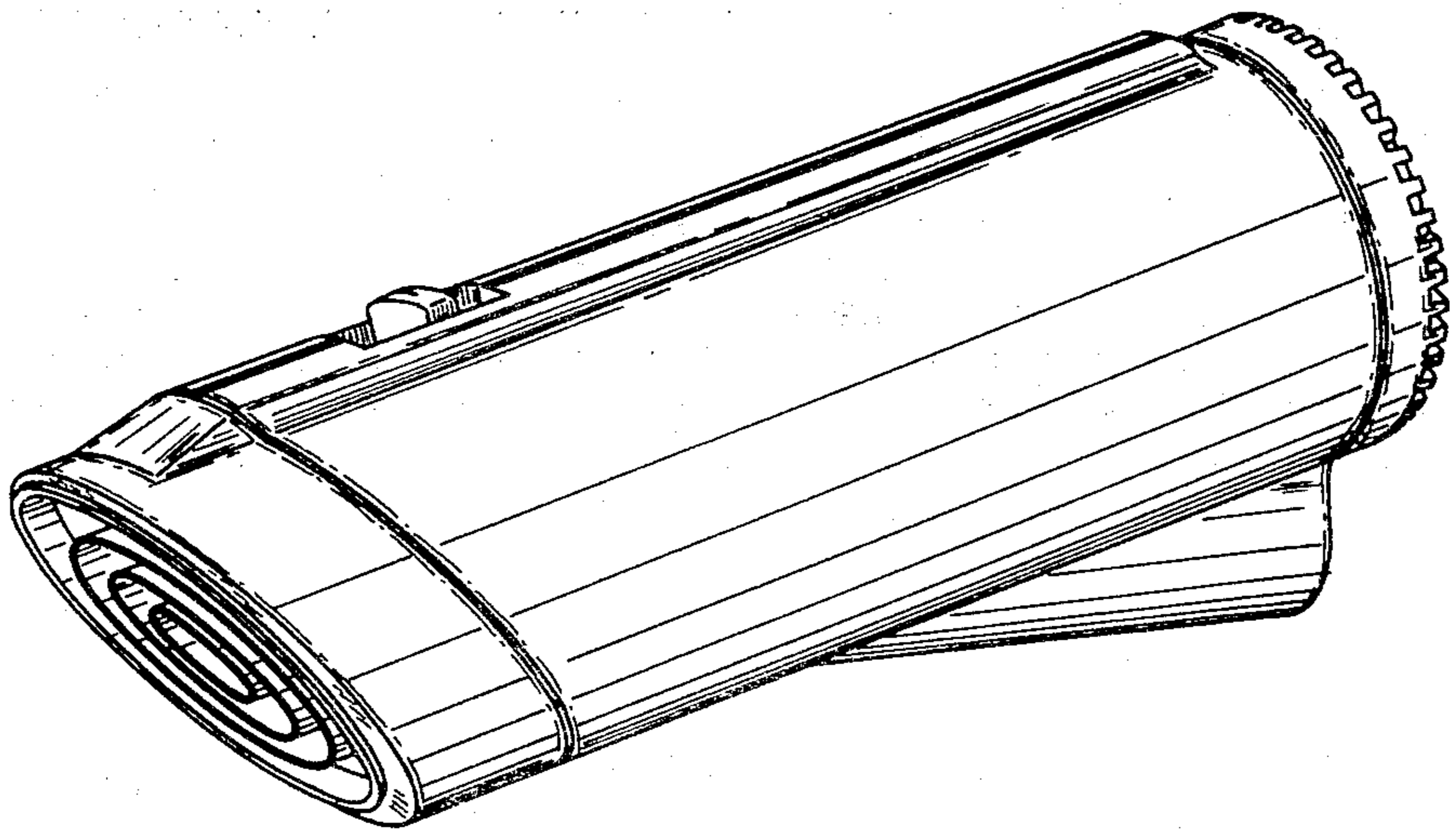


FIG. 1

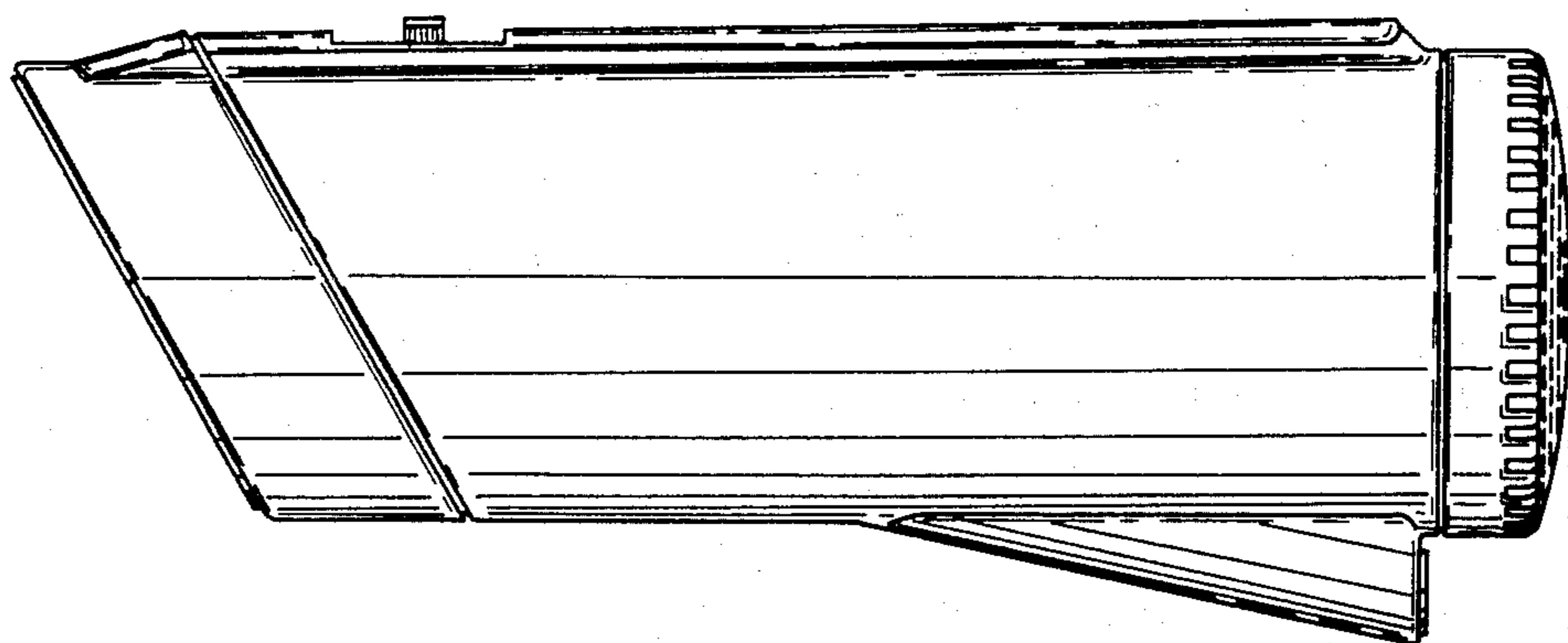


FIG. 2

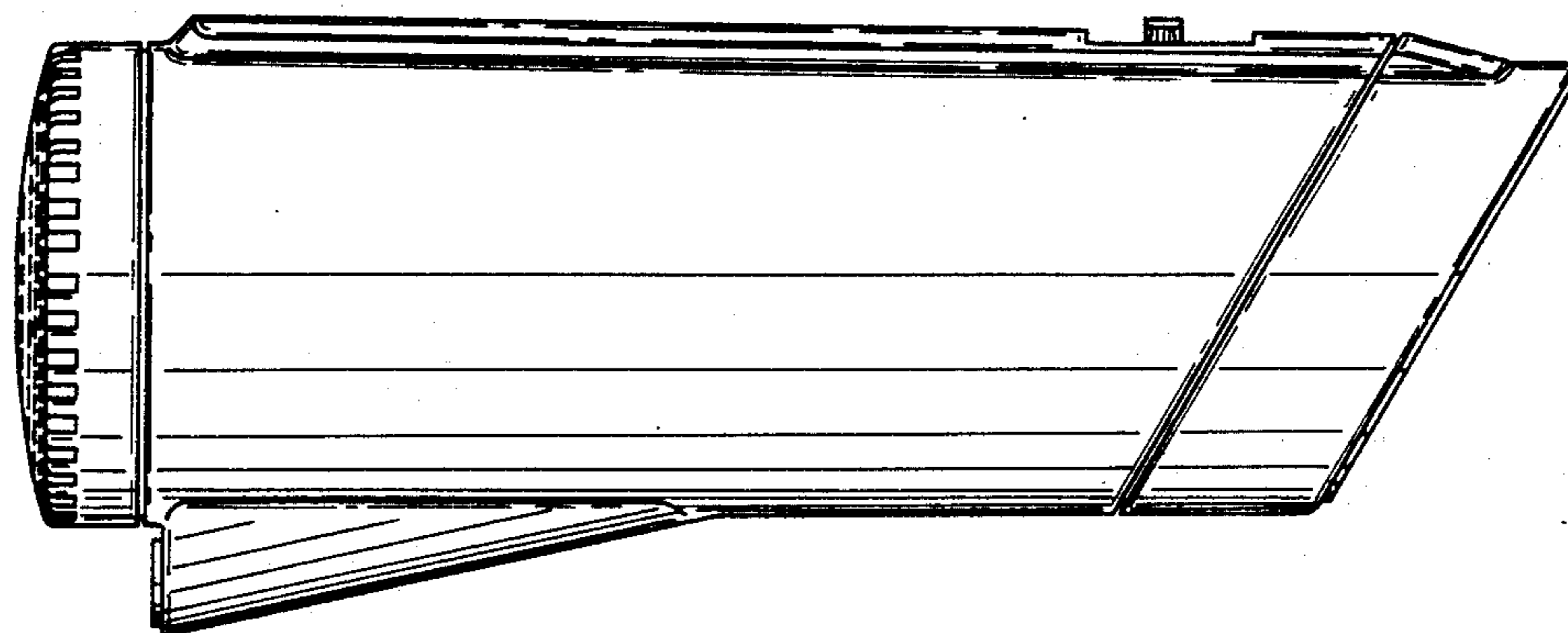


FIG. 3

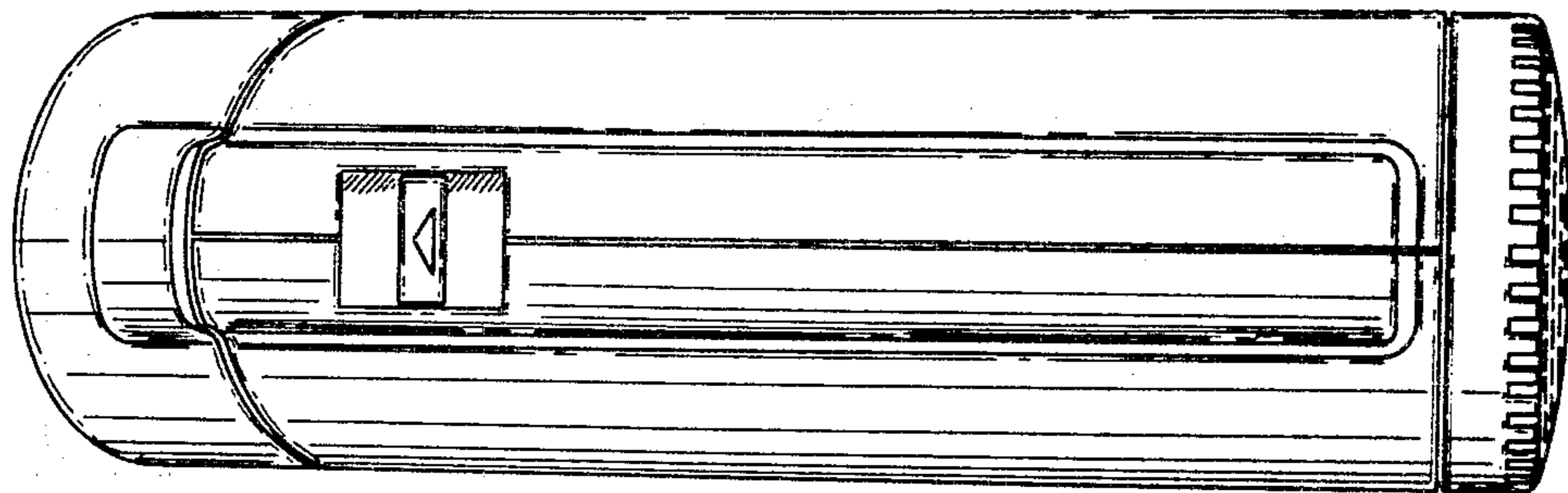


FIG. 4

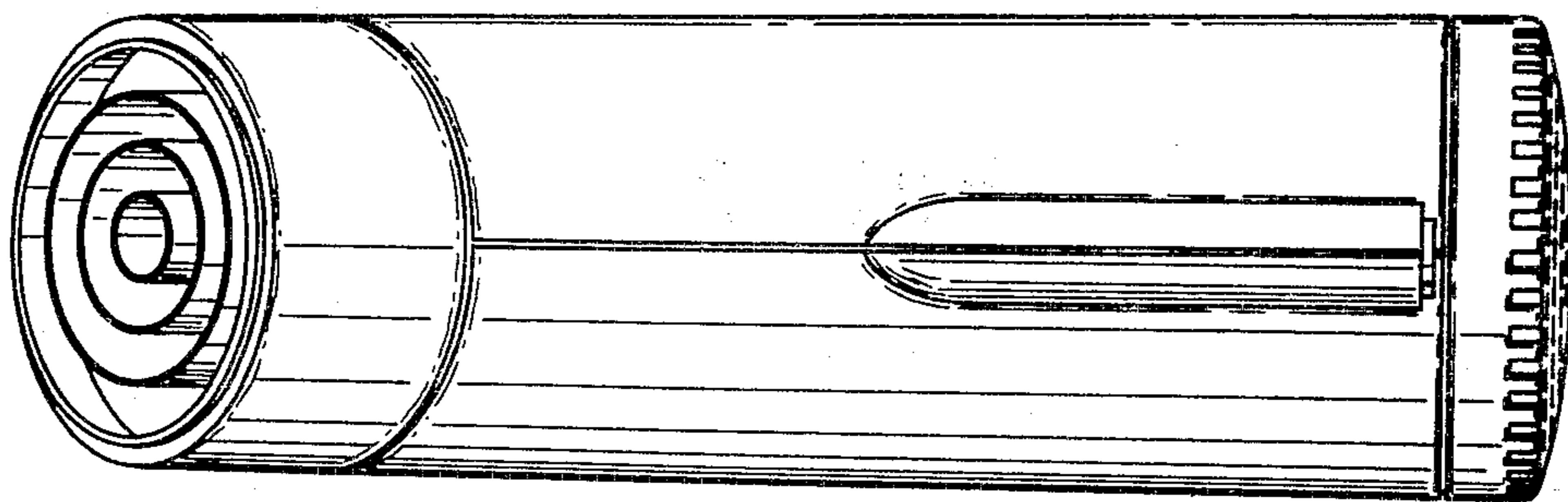


FIG. 5

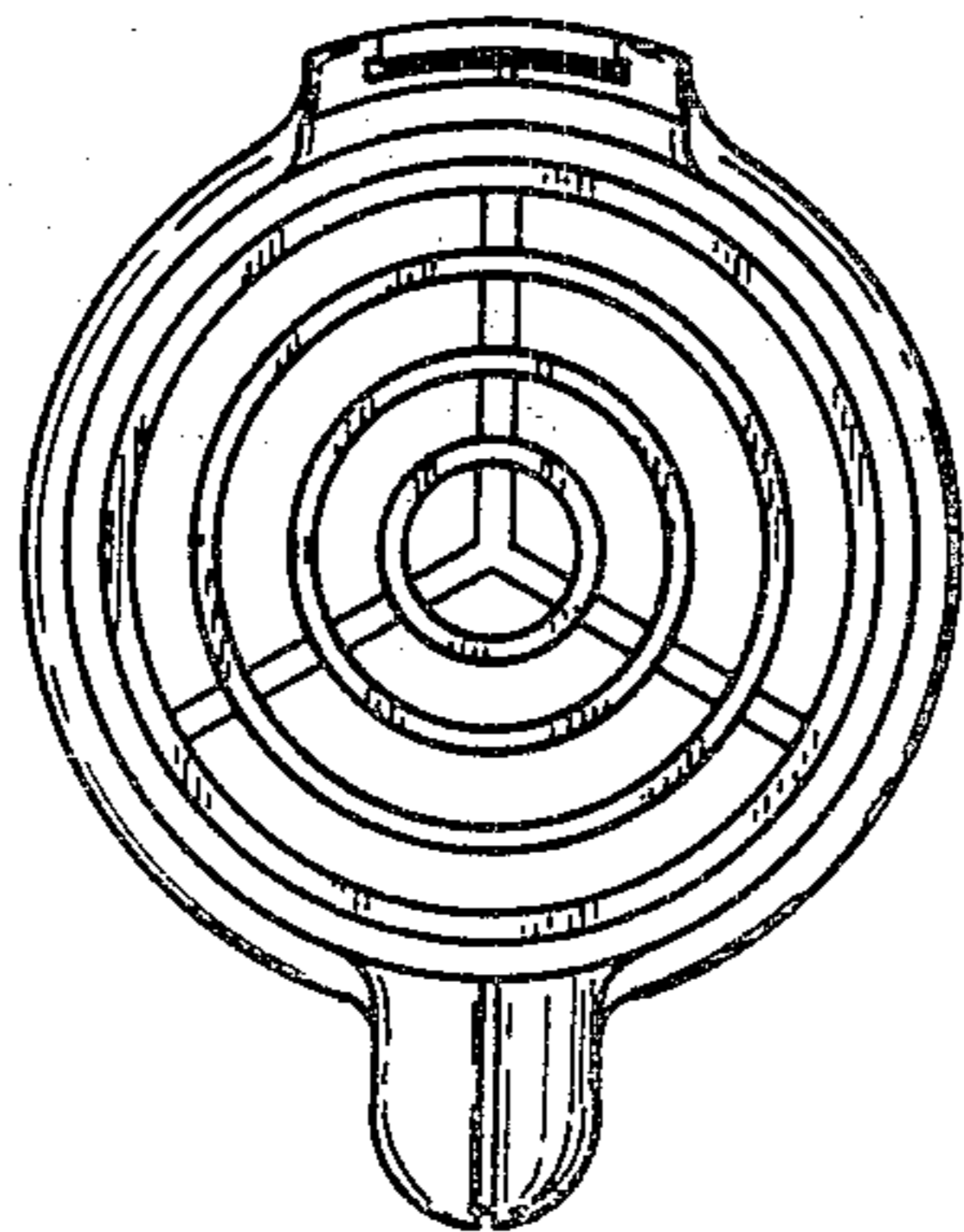


FIG. 6

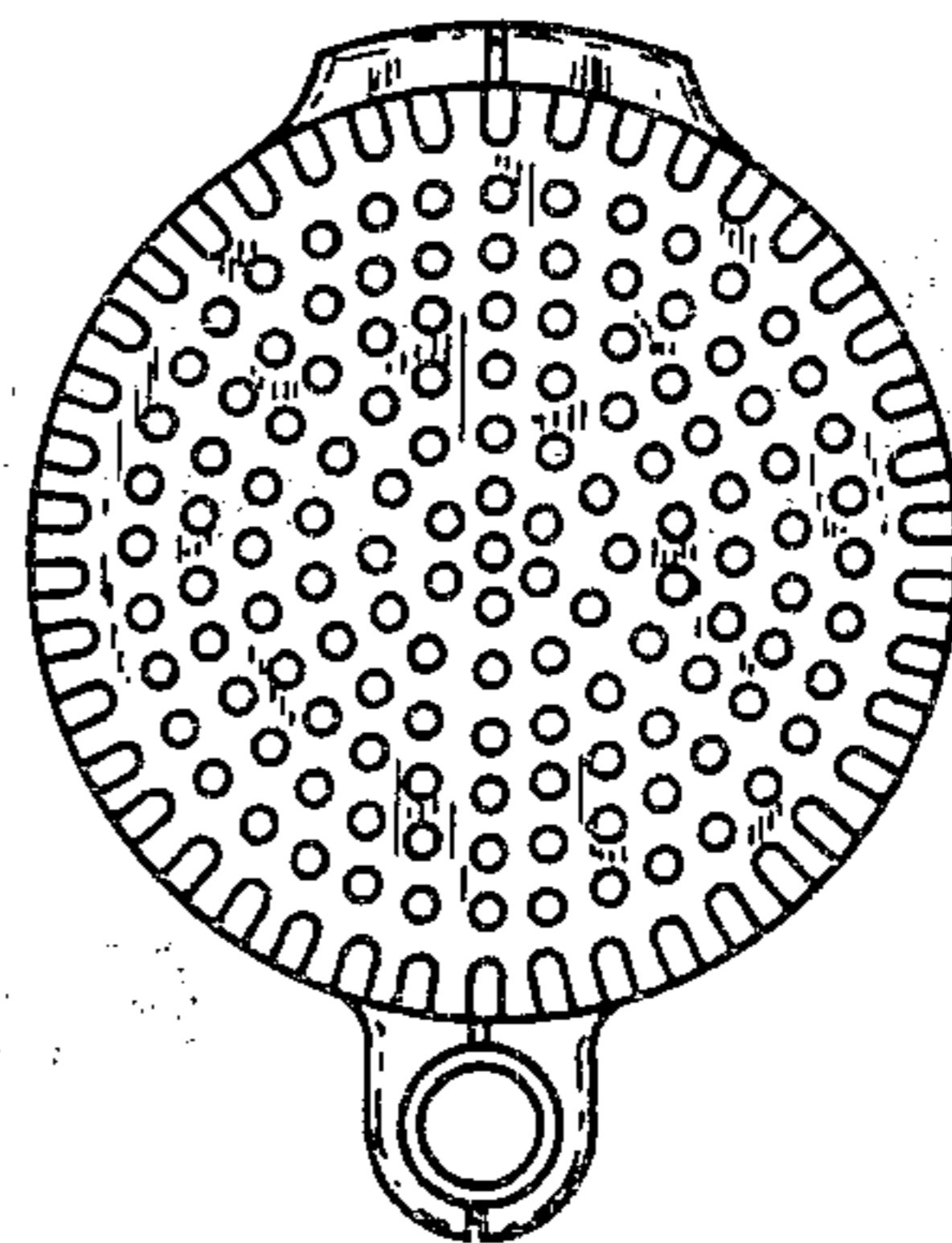


FIG. 7