

[54] **PHARMACEUTICAL TABLET**

[75] **Inventor: Geoffrey D. Tovey, East Common, England**

[73] **Assignee: Smith Kline & French Laboratories Limited, Welwyn Garden City, England**

[\*] **Notice: The portion of the term of this patent subsequent to Feb. 8, 2000 has been disclaimed.**

[\*\*] **Term: 14 Years**

[21] **Appl. No.: 687,405**

[22] **Filed: Dec. 28, 1984**

[52] **U.S. Cl. .... D28/2**

[58] **Field of Search .... D28/1-3, D28/8, 8.1, 8.2; D1/100, 127, 128, 129, 199, 121, 106, 112; 424/14, 15, 18; 426/97, 98; 252/92**

[56] **References Cited**

**U.S. PATENT DOCUMENTS**

D. 269,721 7/1983 Tovey ..... D28/2  
4,376,111 3/1983 Tovey ..... D28/2

*Primary Examiner*—James M. Gandy

*Assistant Examiner*—Kay H. Chin

*Attorney, Agent, or Firm*—Joseph A. Marlino; Stuart R. Suter; Alan D. Lourie

[57] **CLAIM**

The ornamental design for a pharmaceutical tablet, as shown and described.

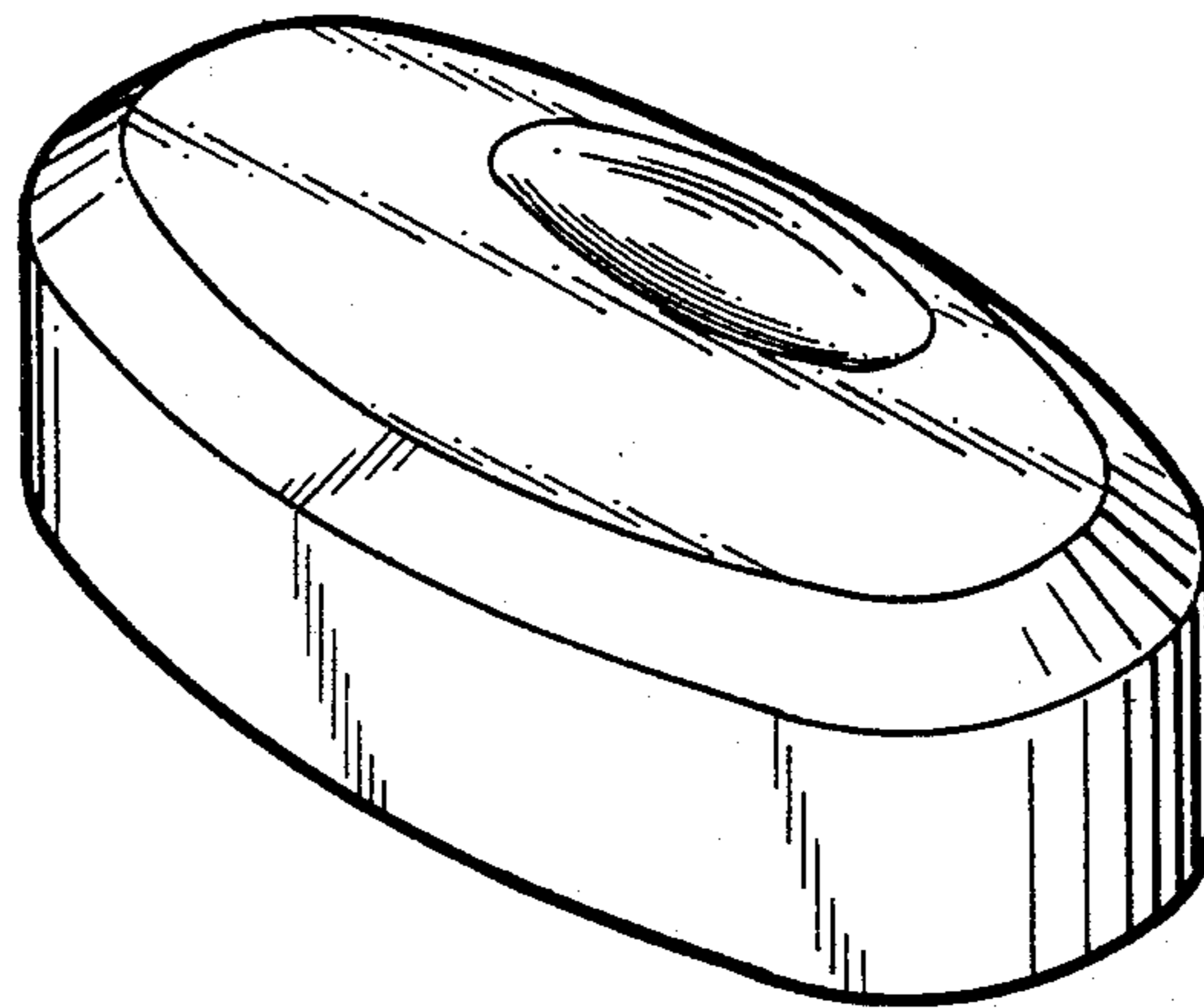
**DESCRIPTION**

FIG. 1 is a perspective view from above, one side and one end of a pharmaceutical tablet showing my design.

FIG. 2 is an end elevation view thereof.

FIG. 3 is a top plan view thereof, the bottom plan view being a mirror image of that shown.

FIG. 4 is a rear elevation view thereof.



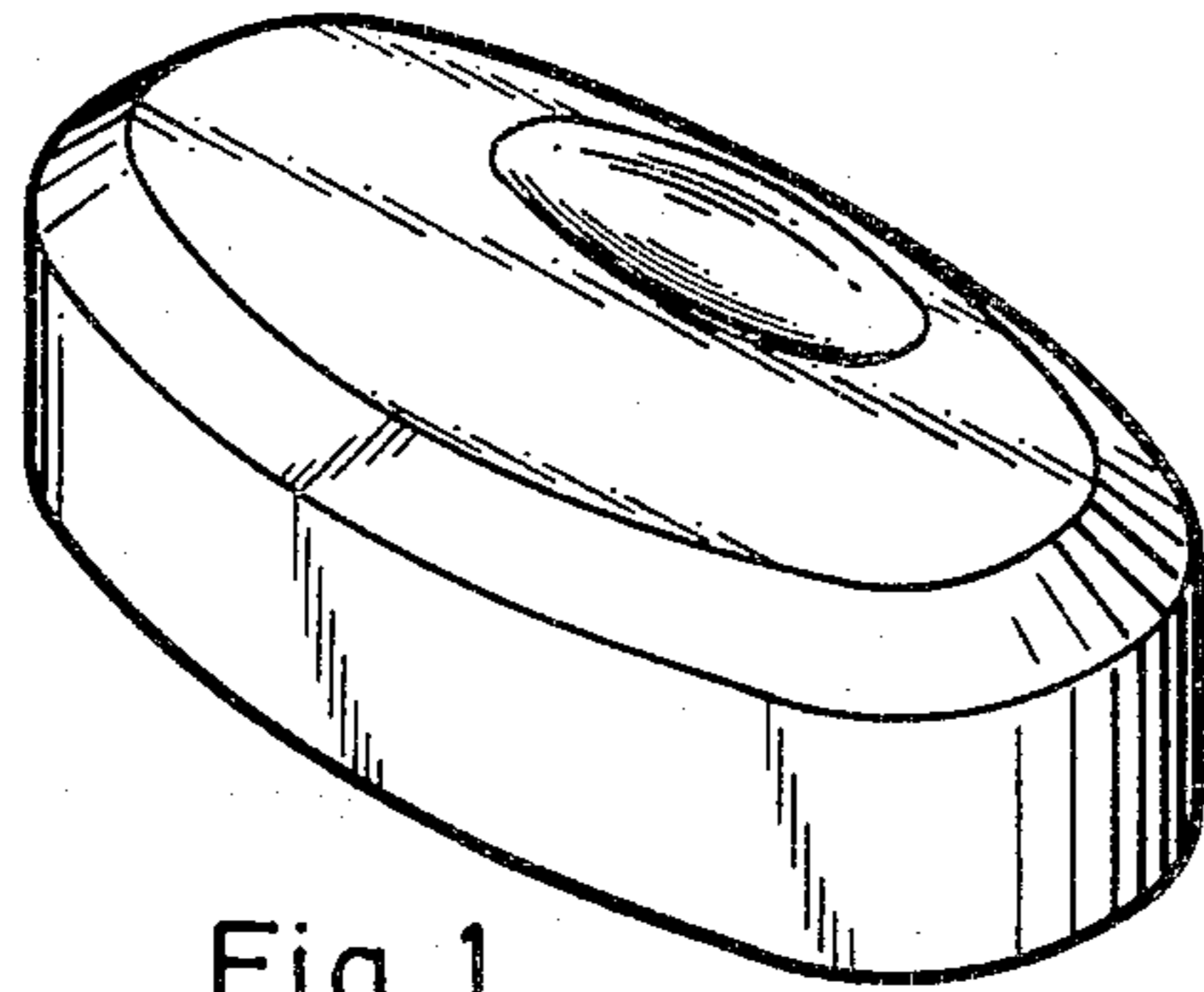


Fig. 1

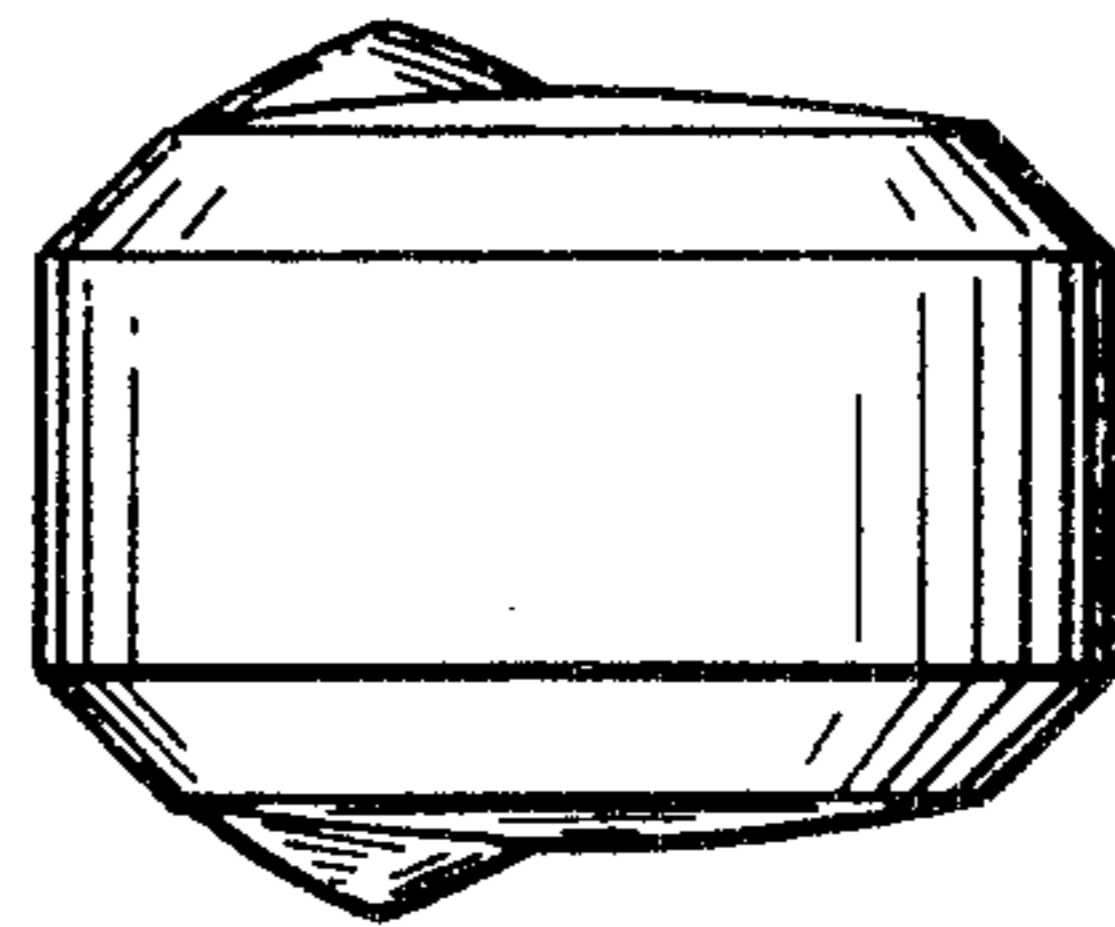


Fig. 2

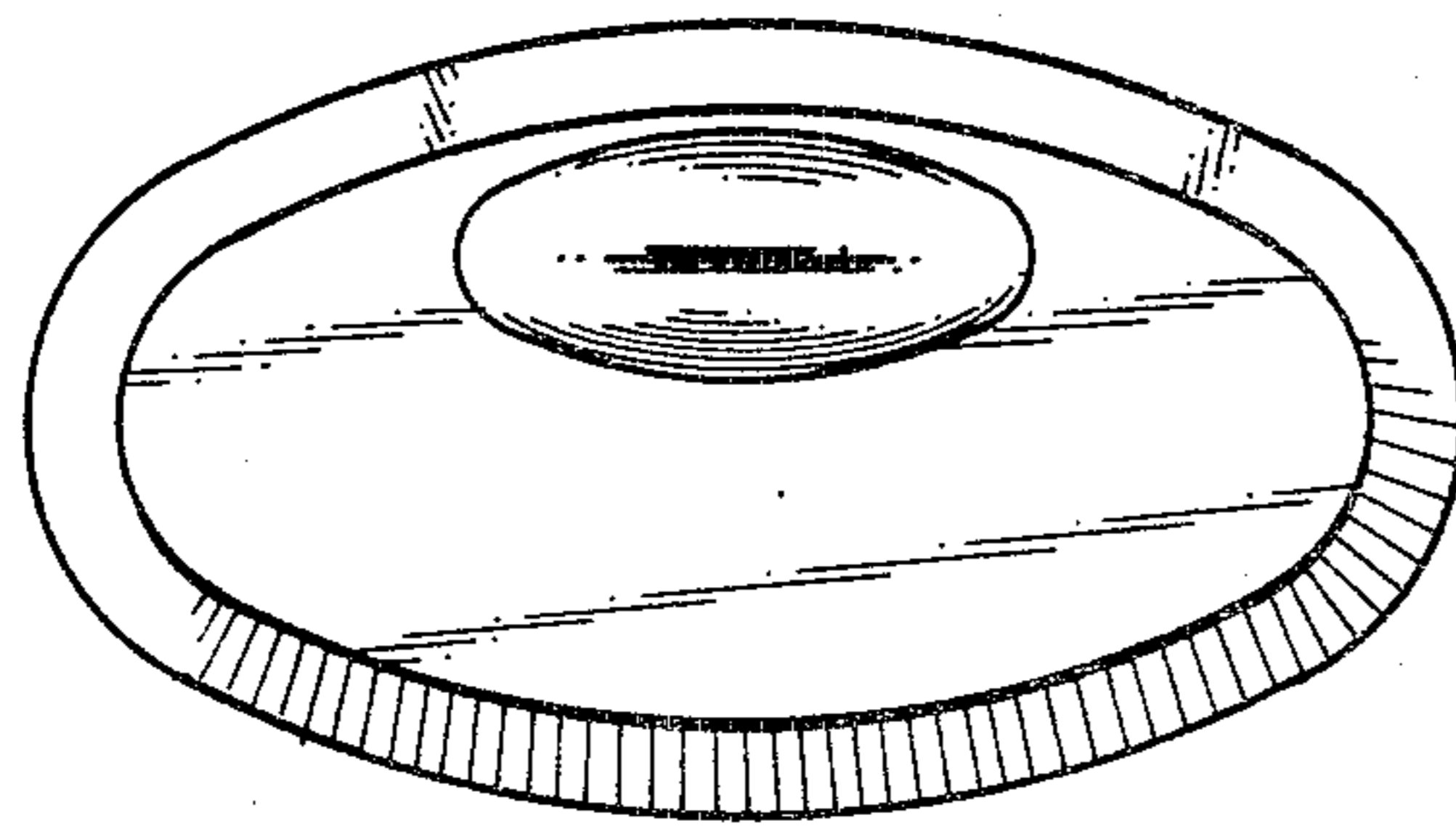


Fig. 3

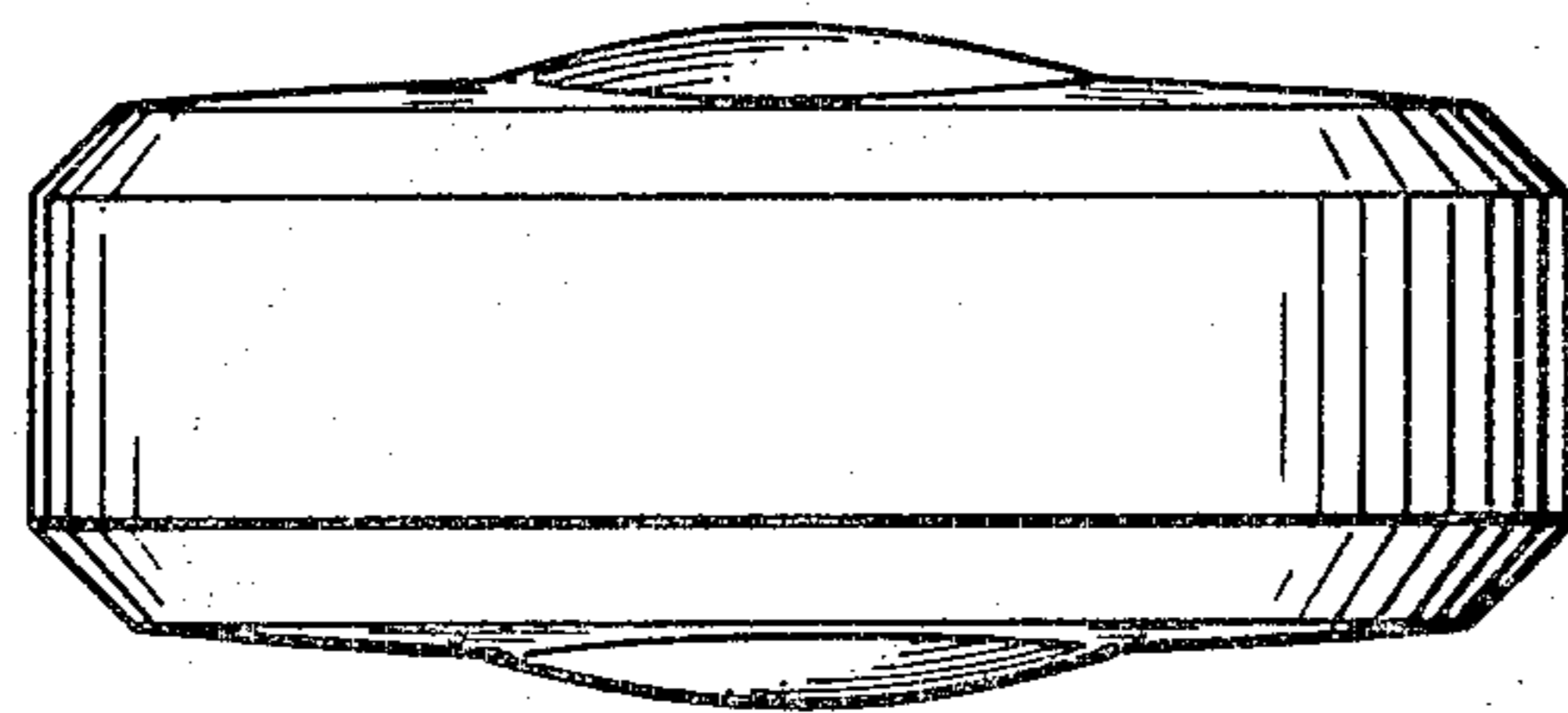


Fig. 4