

[54] **LAMP BASE**

[75] Inventors: **Joseph A. Minicucci**, New York, N.Y.; **Terry Manton**, Clifton, N.J.

[73] Assignee: **Westwood Lighting Group, Inc.**, Paterson, N.J.

[**] Term: **14 Years**

[21] Appl. No.: **586,900**

[22] Filed: **Mar. 6, 1984**
(Under 37 CFR 1.47)

[52] U.S. Cl. **D26/110; D26/58; D26/101**

[58] Field of Search **D26/93, 94, 101-112, D26/51, 58; 362/410-414, 431; 248/127, 158, 159**

[56] **References Cited**

U.S. PATENT DOCUMENTS

- D. 53,187 4/1919 Von Lossberg D26/110
- D. 78,967 7/1929 Cricchio D26/105
- 2,061,132 11/1936 Bell 248/158 X

OTHER PUBLICATIONS

Dunning Industries, Inc., Lamp Catalog, p. 85, Floor Lamp 72083-935.

Dunning Industries, Inc., Lamp Catalog, p. 85, Floor Lamp 72082-935.

Primary Examiner—Susan J. Lucas

Attorney, Agent, or Firm—Blum Kaplan Friedman Silberman & Beran

[57] **CLAIM**

The ornamental design for a lamp base, as shown and described.

DESCRIPTION

FIG. 1 is a top plan view of a lamp base showing our new design;

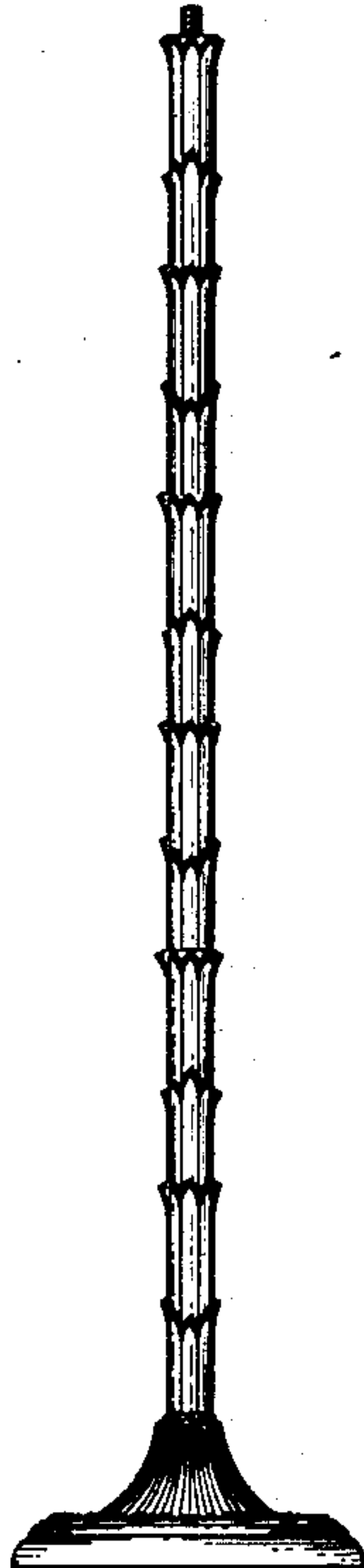
FIG. 2 is a side elevational view thereof, the opposite side being identical thereto;

FIG. 3 is a bottom plan view thereof;

FIG. 4 is a top plan view of a second embodiment of the lamp base;

FIG. 5 is a side elevational view thereof, the opposite side being identical thereto;

FIG. 6 is a bottom plan view thereof.



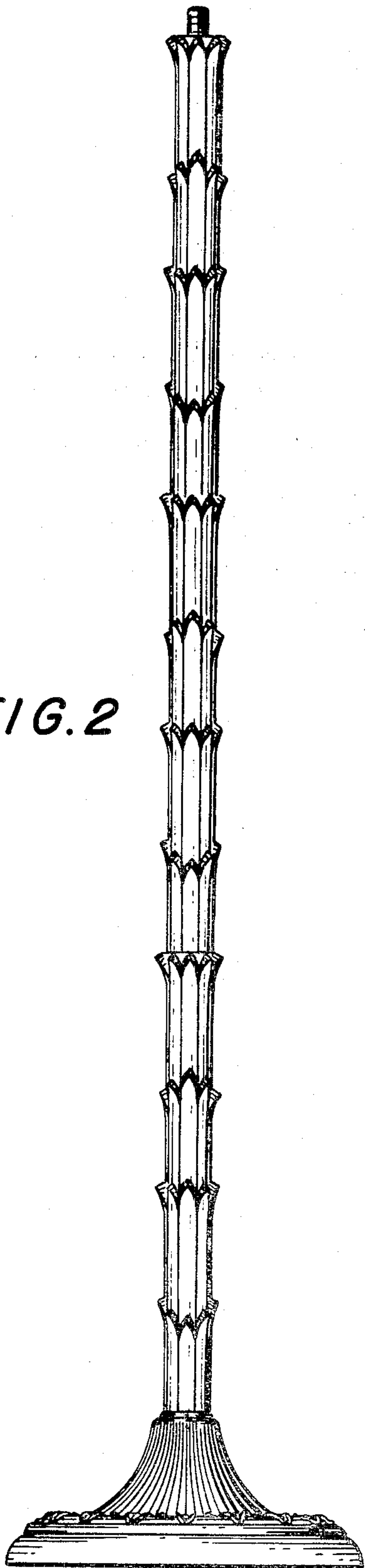


FIG. 2

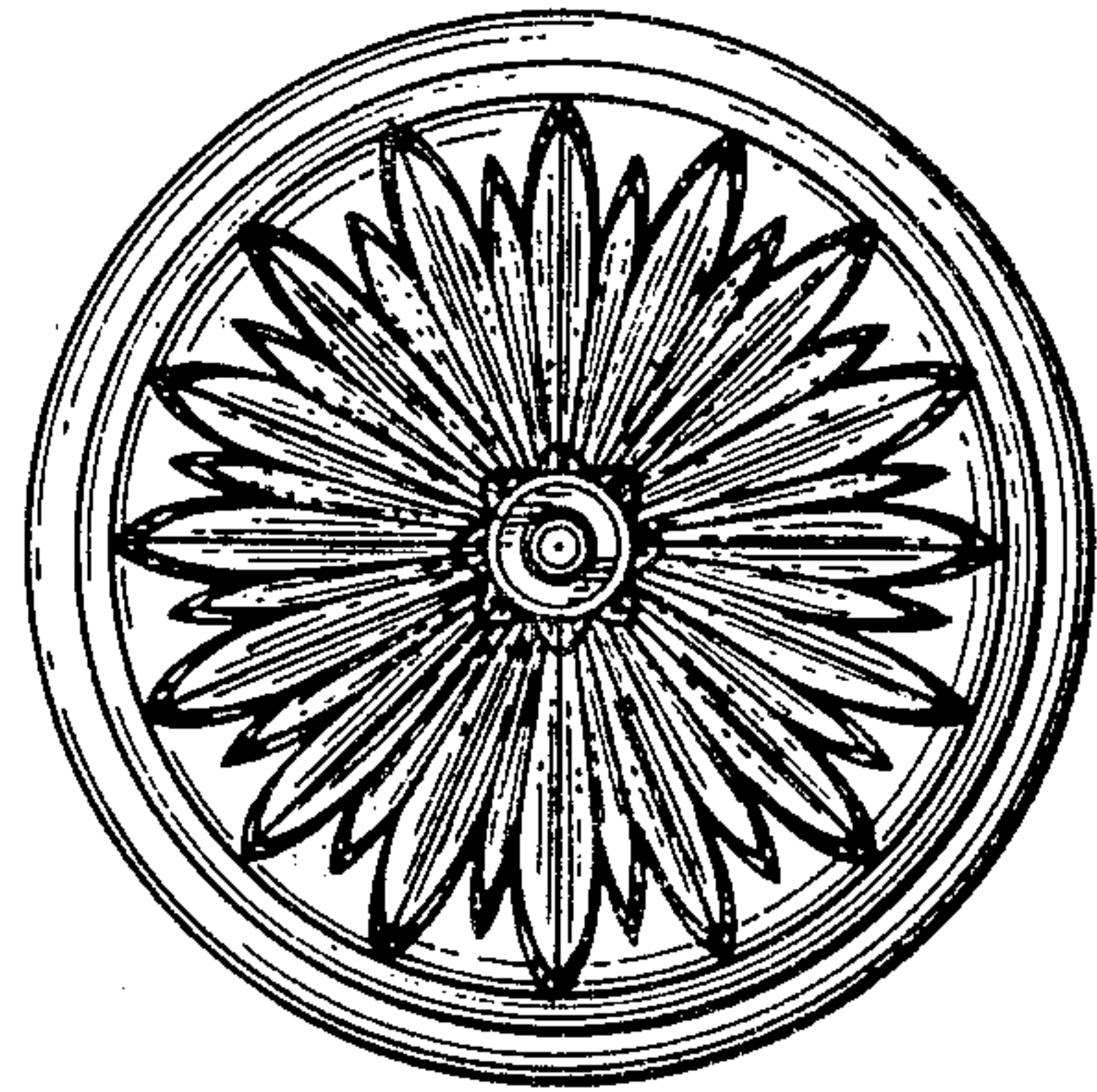


FIG. 1

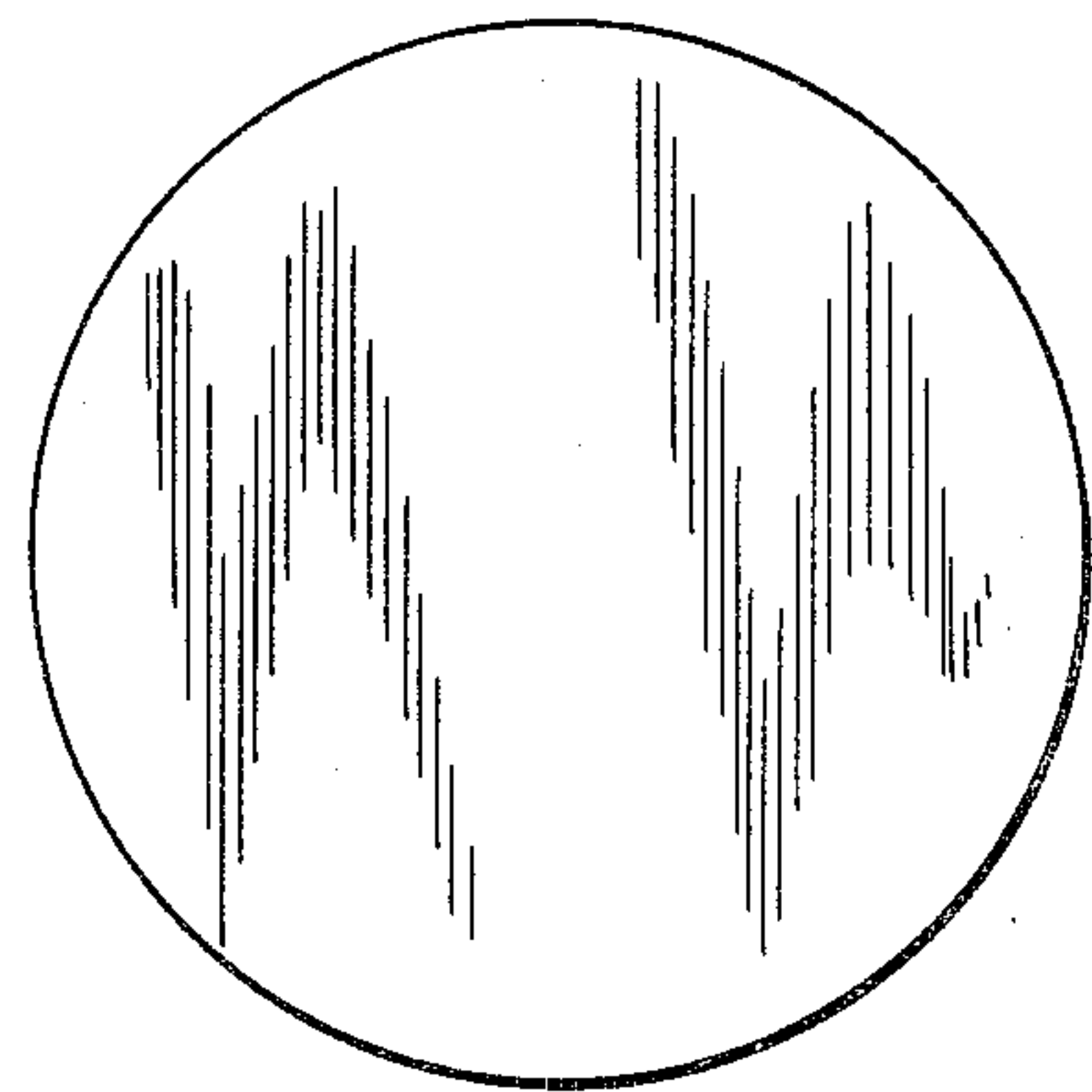


FIG. 3

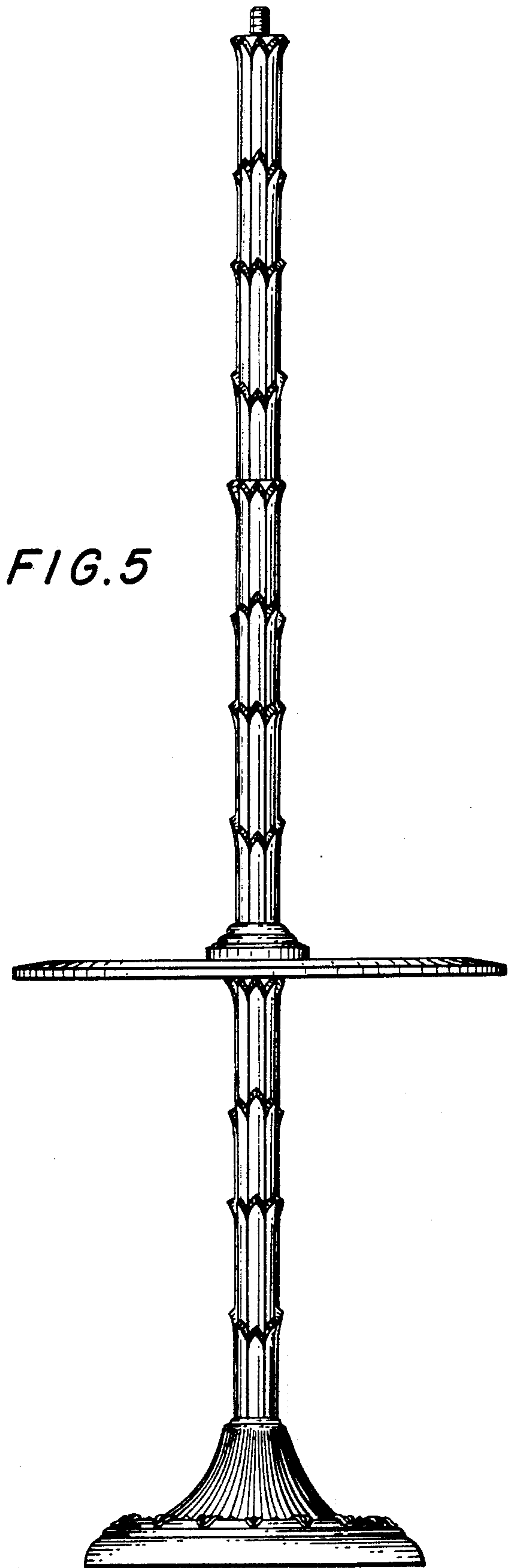


FIG. 5

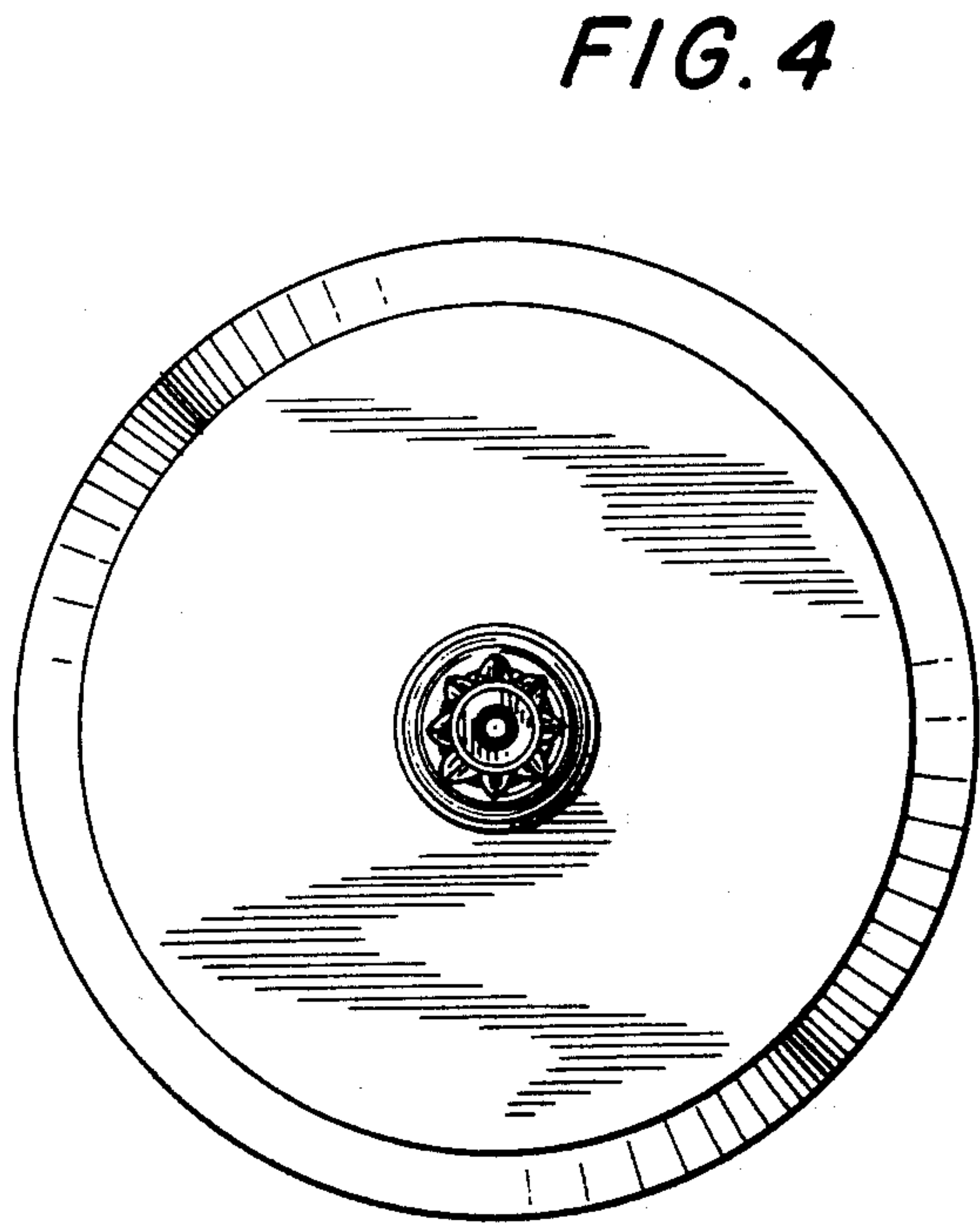


FIG. 4

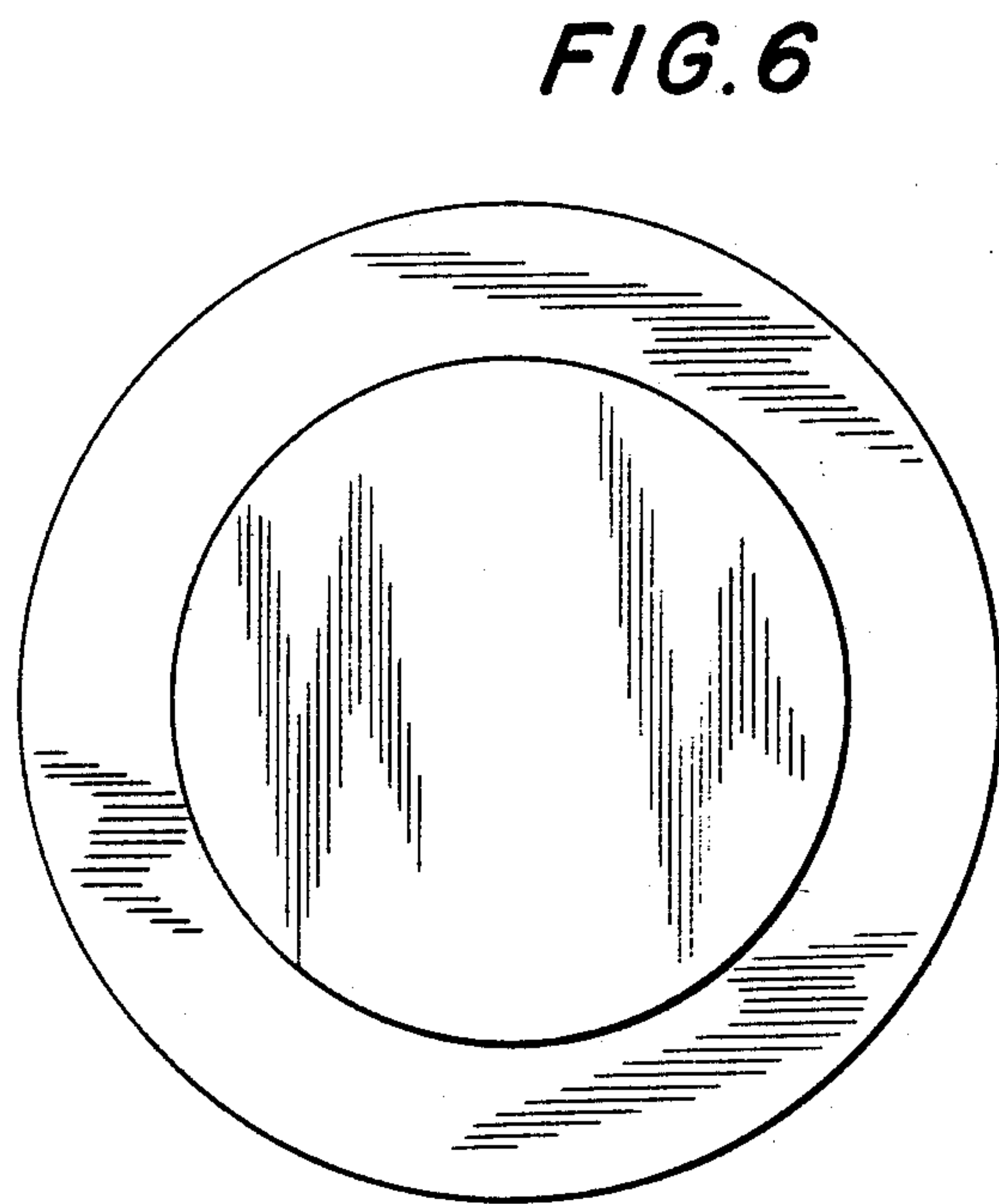


FIG. 6