

[54] ADJUSTABLE LAMP

[75] Inventor: Haim Shwisha, Westport, Conn.

[73] Assignee: Electrix, Inc., New Haven, Conn.

[**] Term: 14 Years

[21] Appl. No.: 618,725

[22] Filed: Jun. 8, 1984

[52] U.S. Cl. D26/61

[58] Field of Search D13/60-66;
362/269, 277, 282, 285, 418, 427

[56] References Cited

PUBLICATIONS

Home Lighting & Accessories, 5-1983, p. 18, "Electrix" ® Task Lighting Halogen Lamp (top).

Primary Examiner—Susan J. Lucas
Attorney, Agent, or Firm—Bachman & LaPointe

[57] CLAIM

The ornamental design for an adjustable lamp, as shown and described.

DESCRIPTION

FIG. 1 is a perspective view of an adjustable lamp showing my new design, the arm and base being shown in broken lines for illustrative purposes only;

FIG. 2 is a right side elevational view of the adjustable lamp on an enlarged scale, the left side being a mirror image;

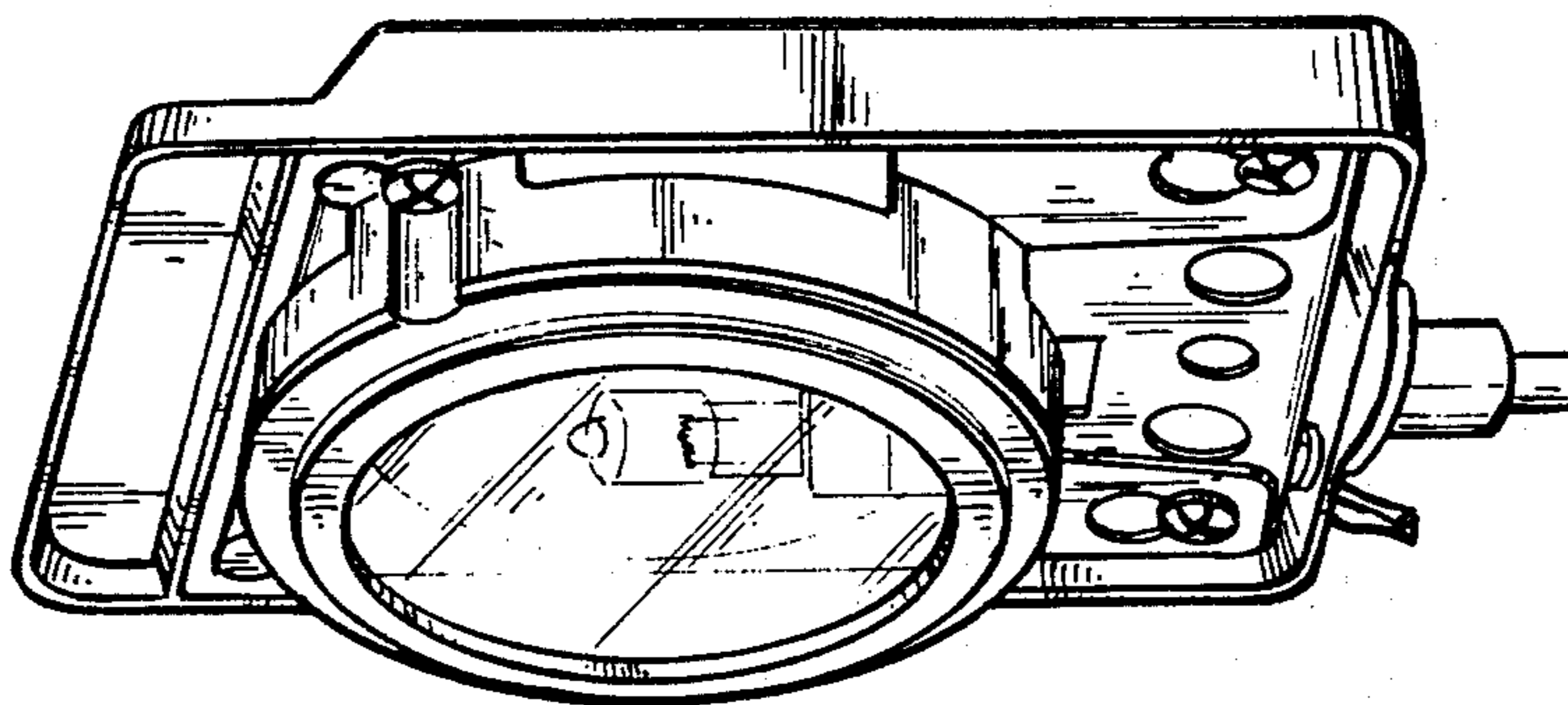
FIG. 3 is a bottom plan view thereof;

FIG. 4 is a top plan view thereof;

FIG. 5 is a bottom perspective view thereof;

FIG. 6 is a front elevational view thereof;

FIG. 7 is a rear elevational view thereof.



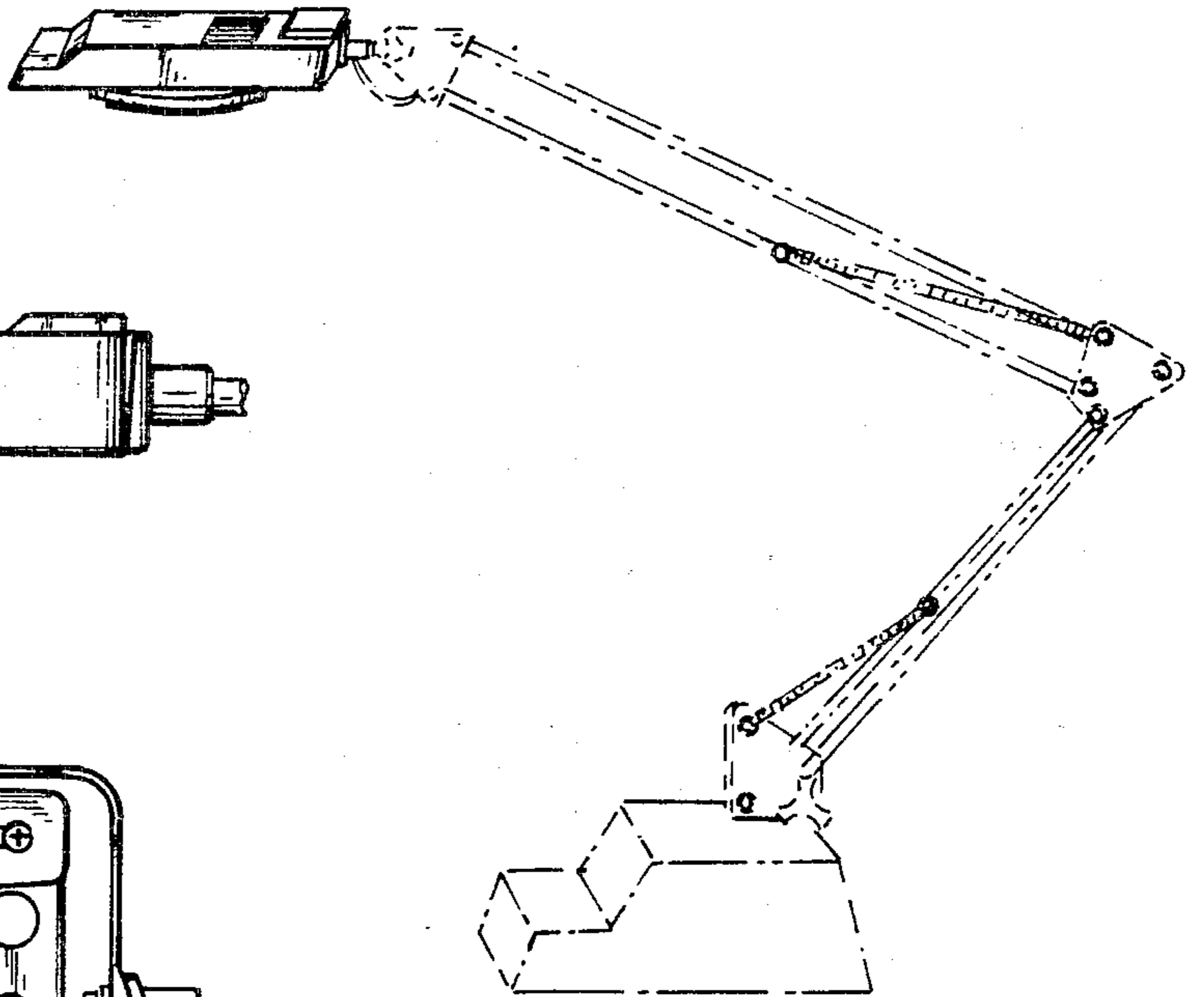


FIG-1

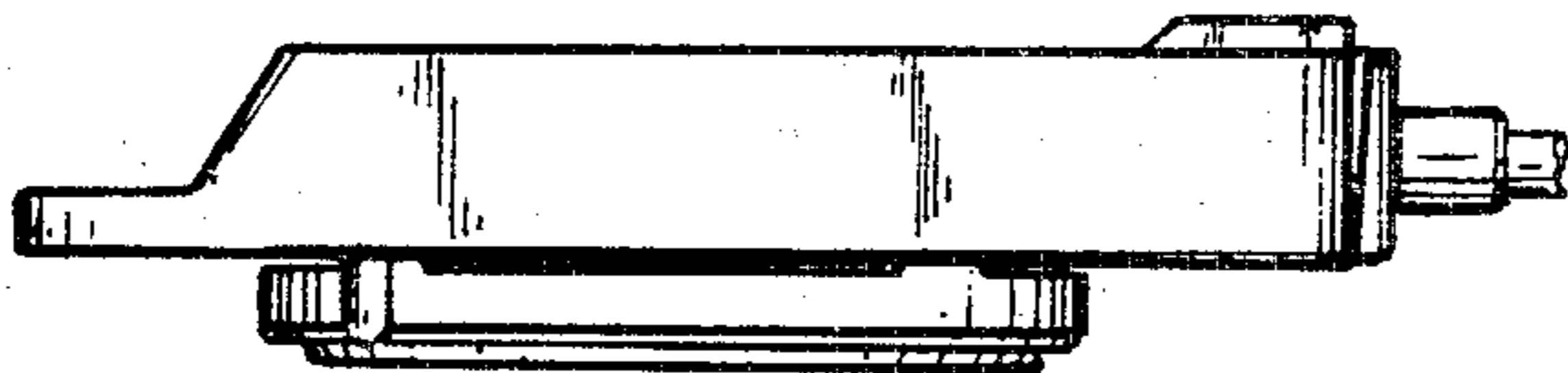


FIG-2

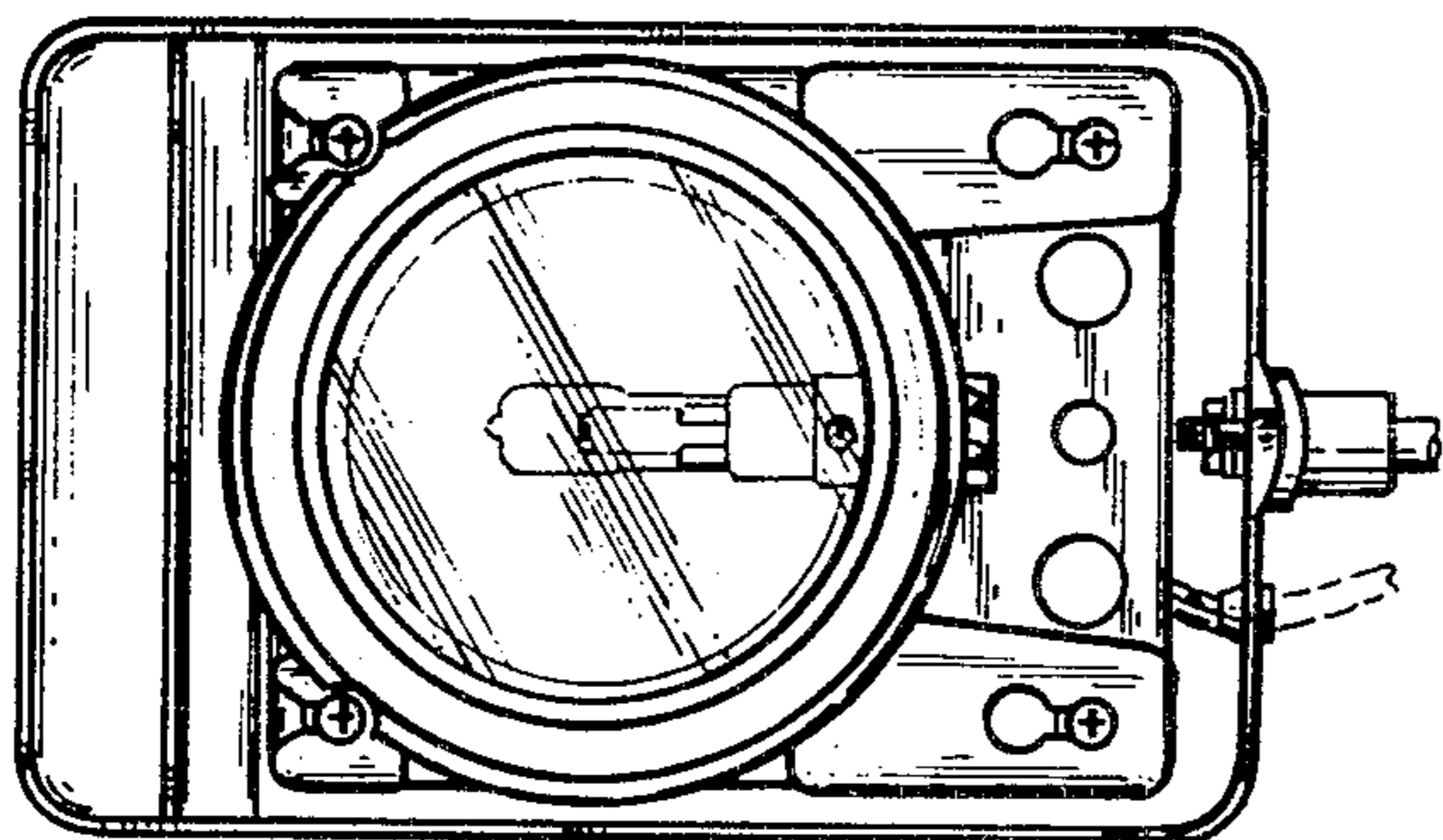


FIG-3

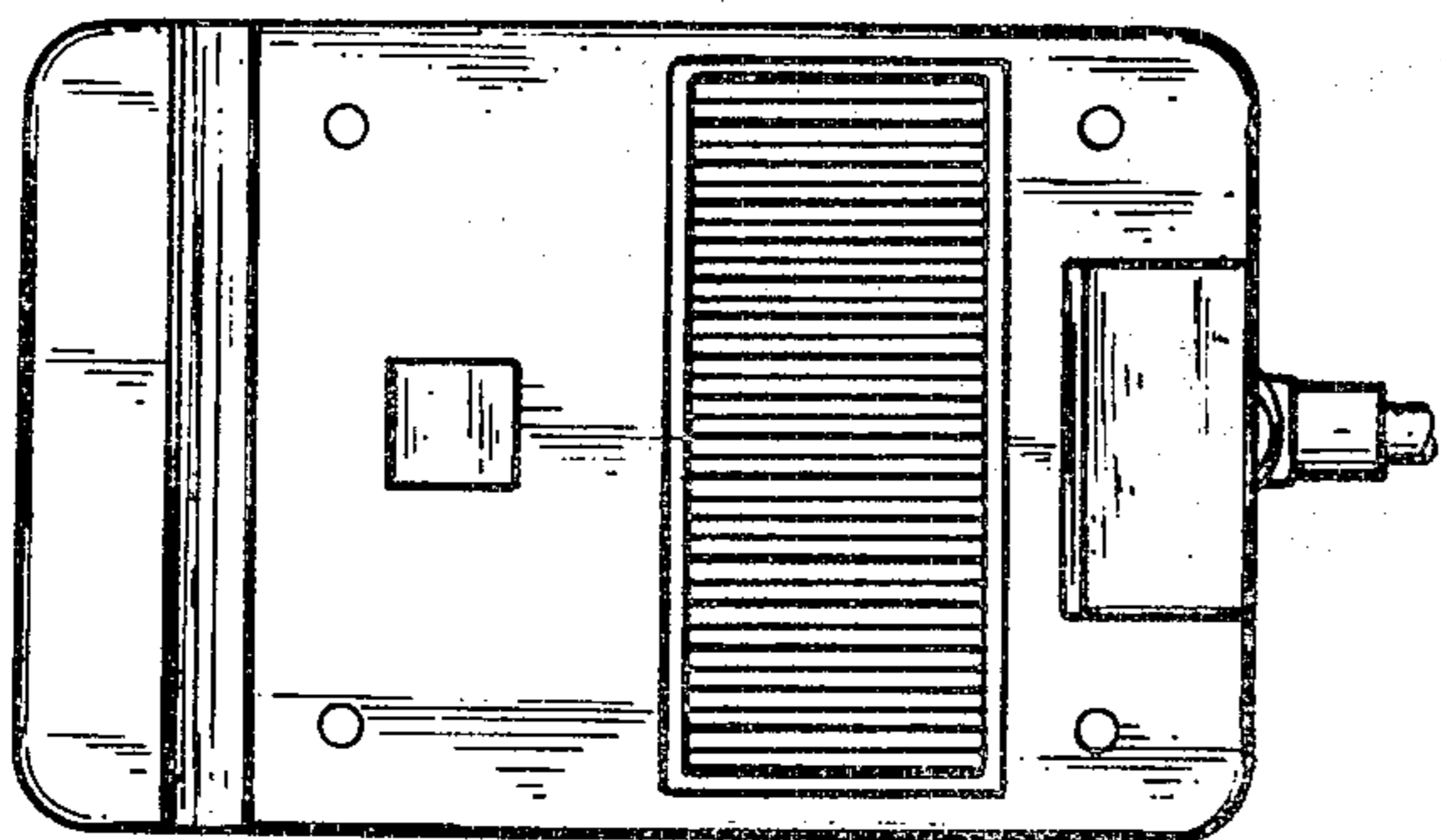


FIG-4

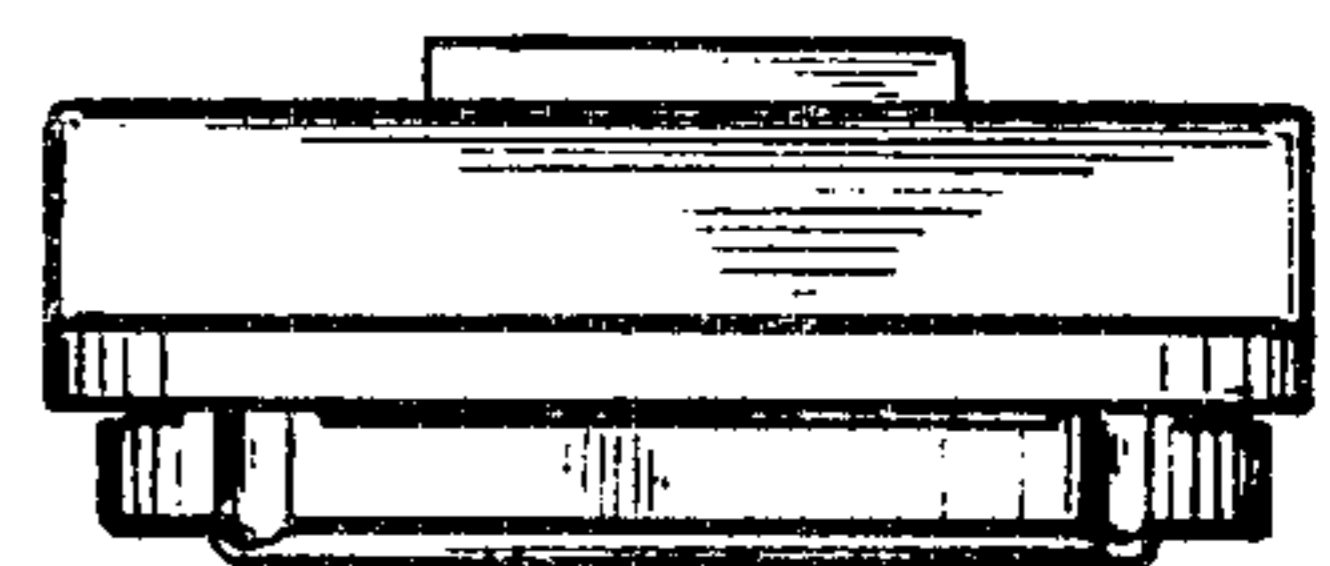


FIG-6

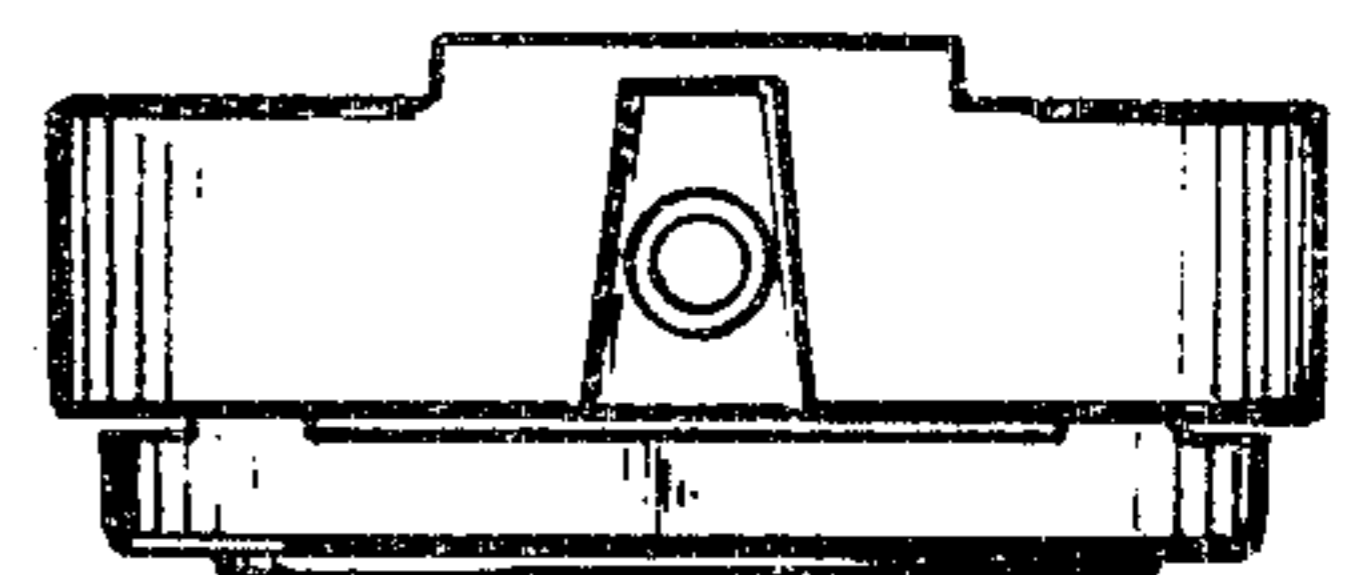


FIG-7

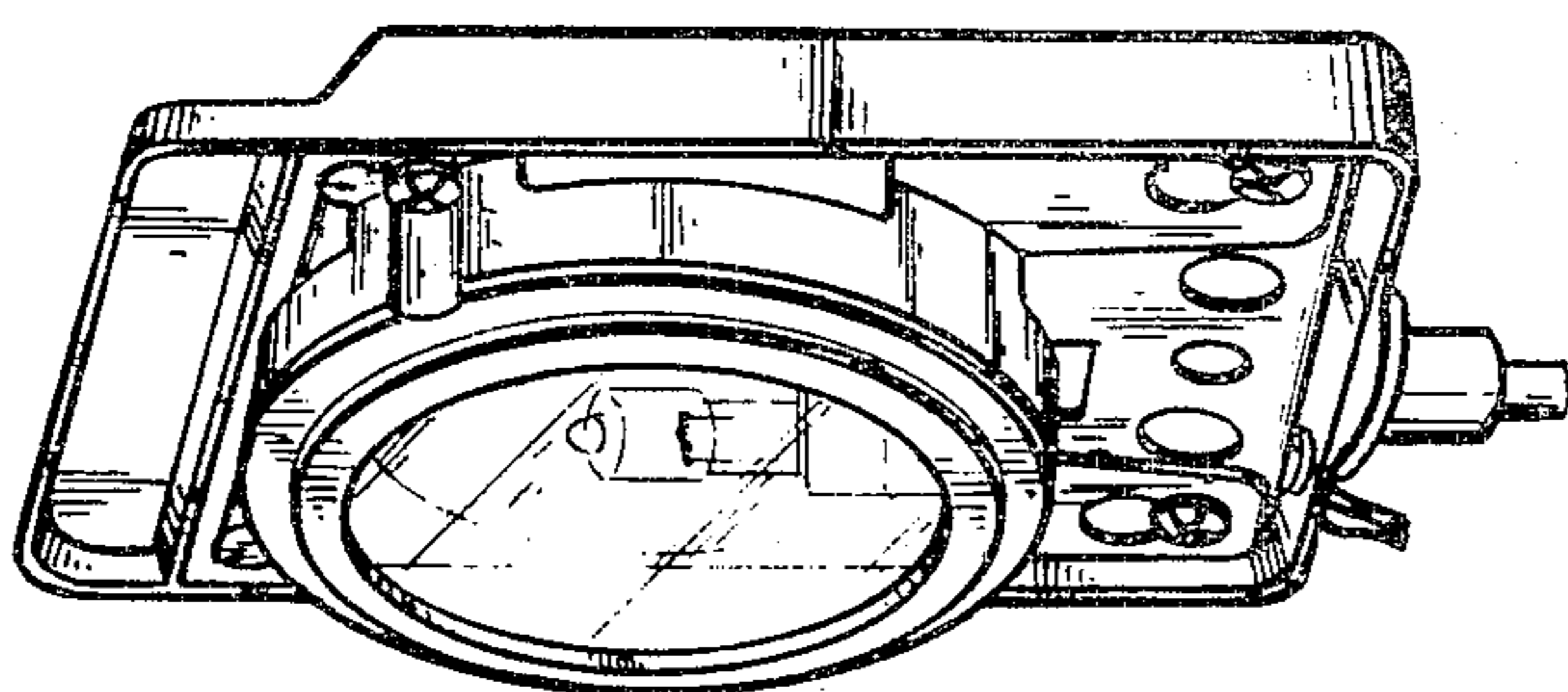


FIG-5