

[54] **FRAME FIXED JAMB**

[76] **Inventor: Joseph C. Bancroft, 812 Sweetwater Club Blvd., Longwood, Fla. 32779**

[**] **Term: 14 Years**

[21] **Appl. No.: 761,820**

[22] **Filed: Aug. 2, 1985**

[52] **U.S. Cl. D25/74**

[58] **Field of Search D25/52, 73-76; 49/419, 504, DIG. 2; 52/202**

[56] **References Cited**

U.S. PATENT DOCUMENTS

D. 251,447	3/1979	Bancroft et al.	D25/74
D. 251,448	3/1979	Bancroft et al.	D25/74
D. 251,450	3/1979	Bancroft et al.	D25/74
D. 251,504	4/1979	Bancroft et al.	D25/74
4,048,774	9/1977	Yamamoto	D25/76 X

Primary Examiner—A. Hugo Word
Attorney, Agent, or Firm—Macdonald J. Wiggins

[57] **CLAIM**

The ornamental design for a frame fixed jamb, as shown and described.

DESCRIPTION

FIG. 1 is a fragmentary top perspective view of the frame fixed jamb showing my design;
 FIG. 2 is a front elevational view thereof in which the rear view thereof is a mirror image of the front view;
 FIG. 3 is a left elevational view thereof broken away to indicate indeterminate length;
 FIG. 4 is a right elevational view thereof broken away to indicate indeterminate length;
 FIG. 5 is a bottom plan view thereof broken away to indicate indeterminate length; and
 FIG. 6 is a top plan view thereof broken away to indicate indeterminate length.

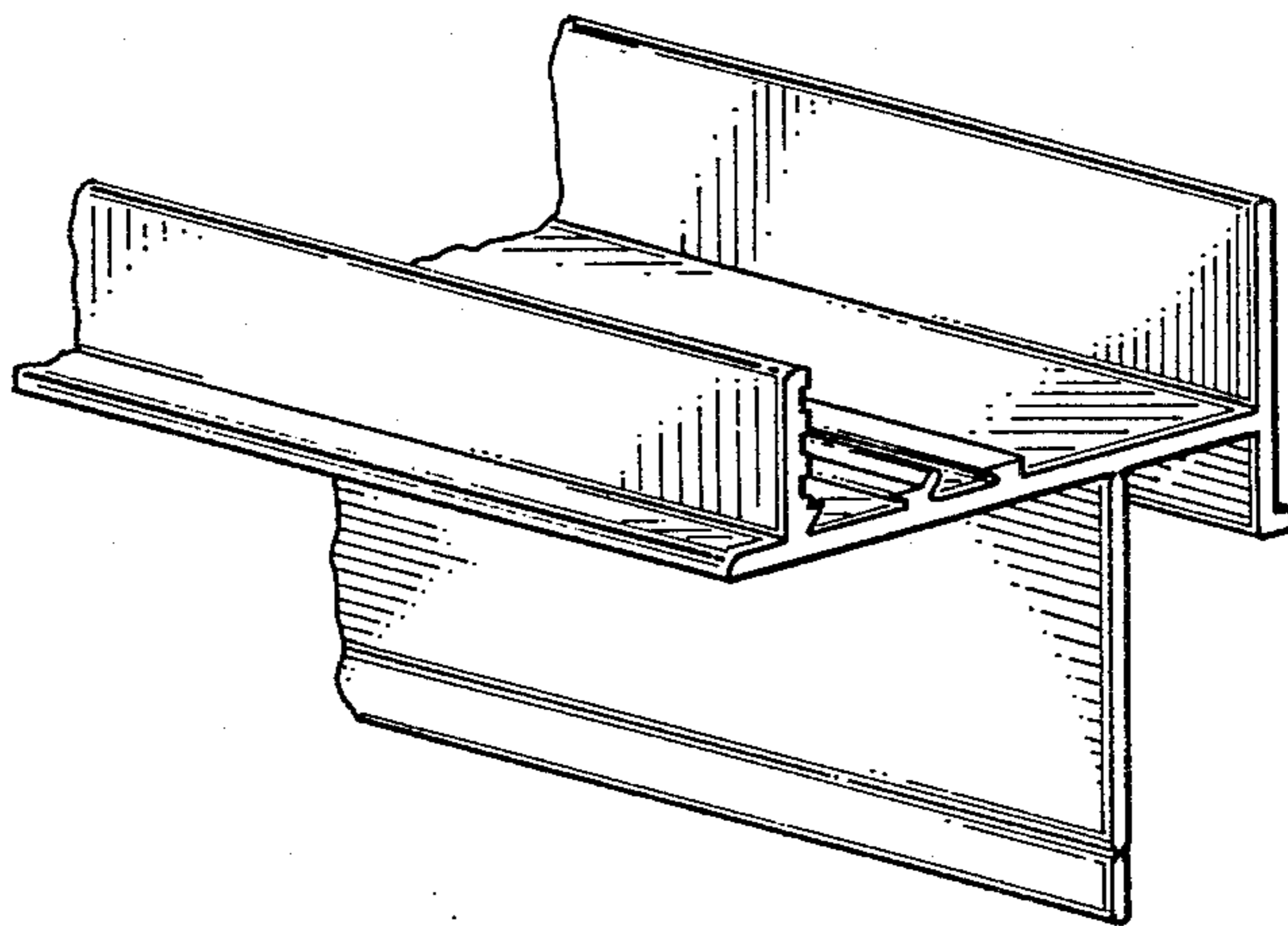


FIG. 2

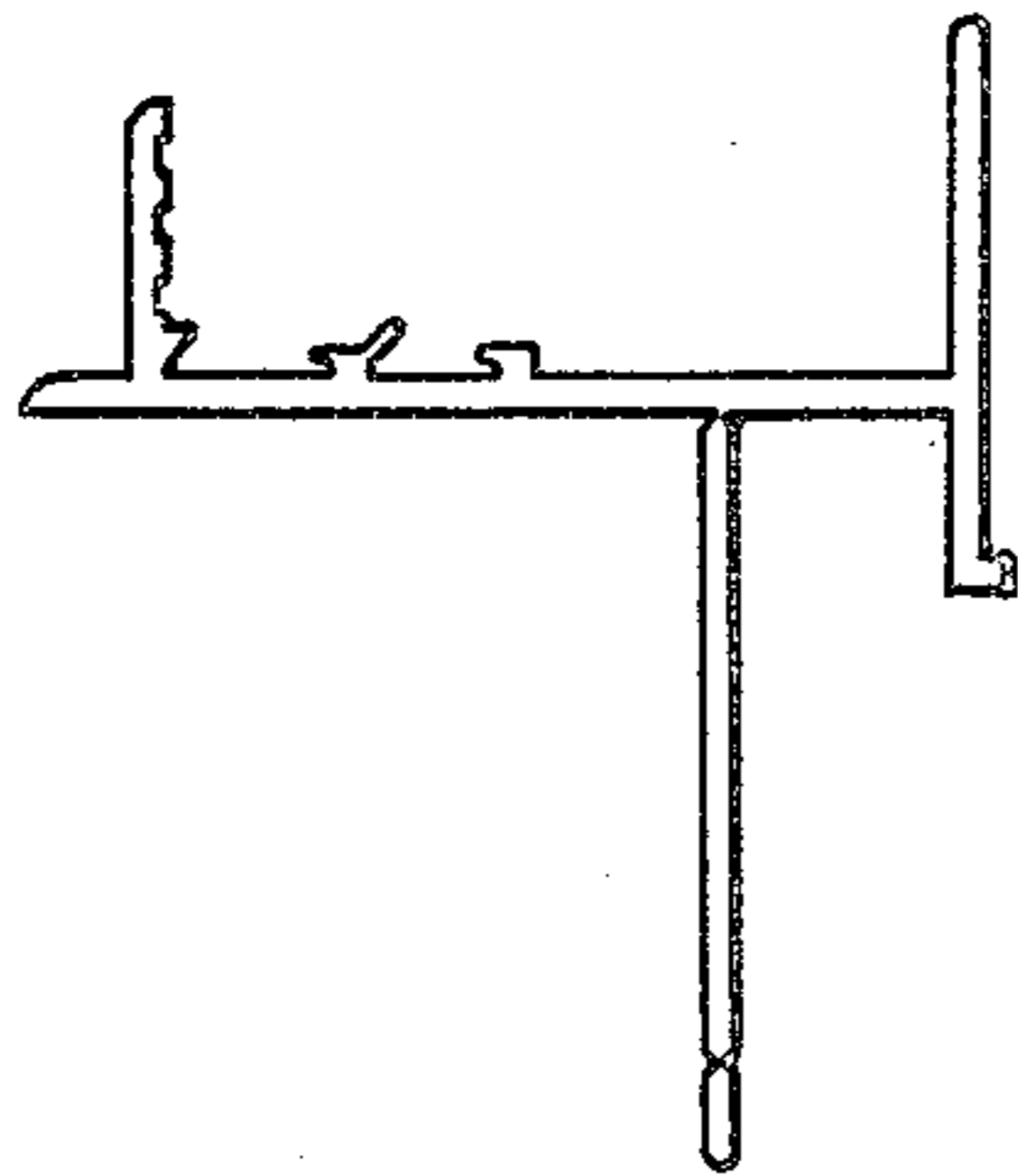


FIG. 1

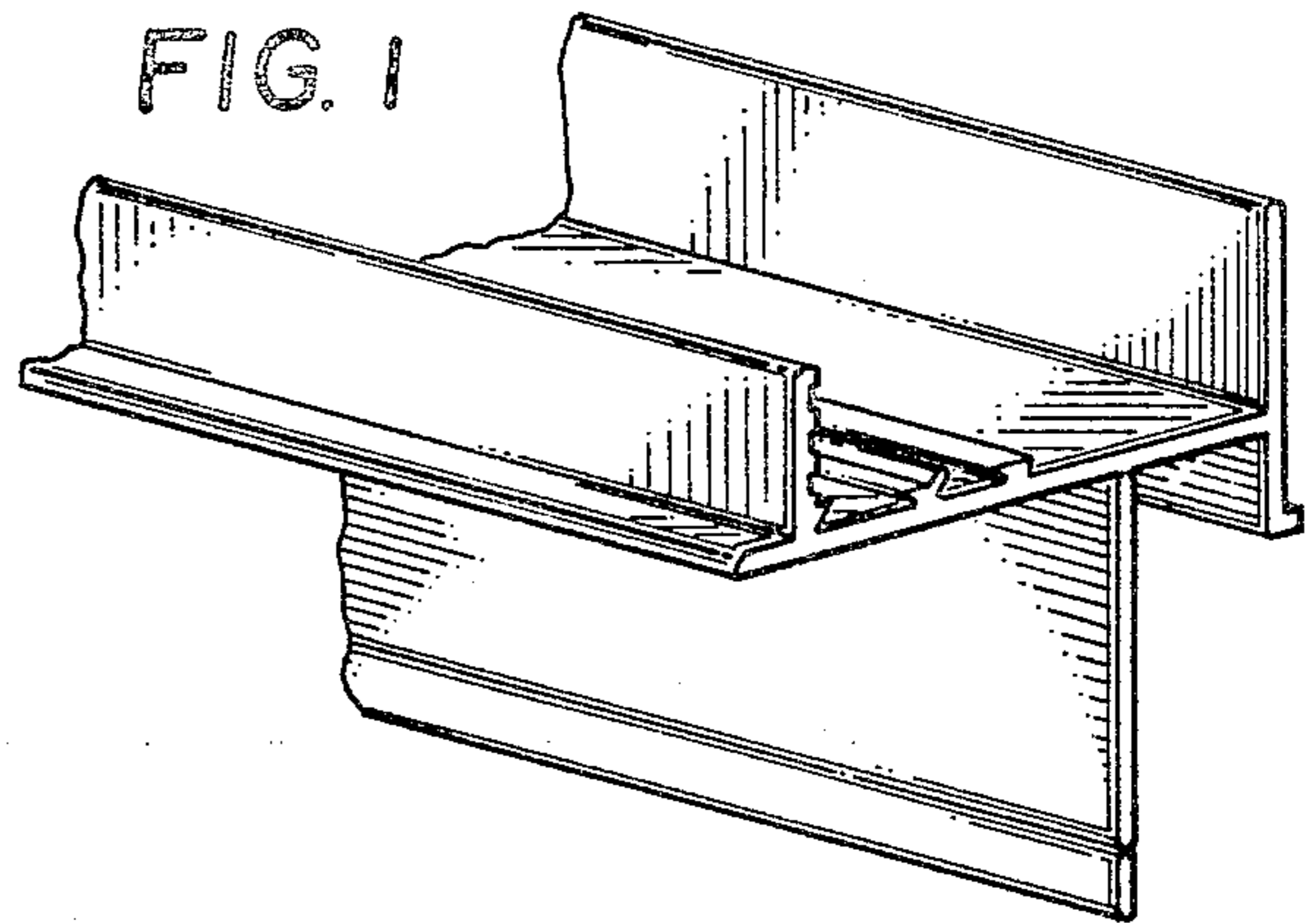


FIG. 3

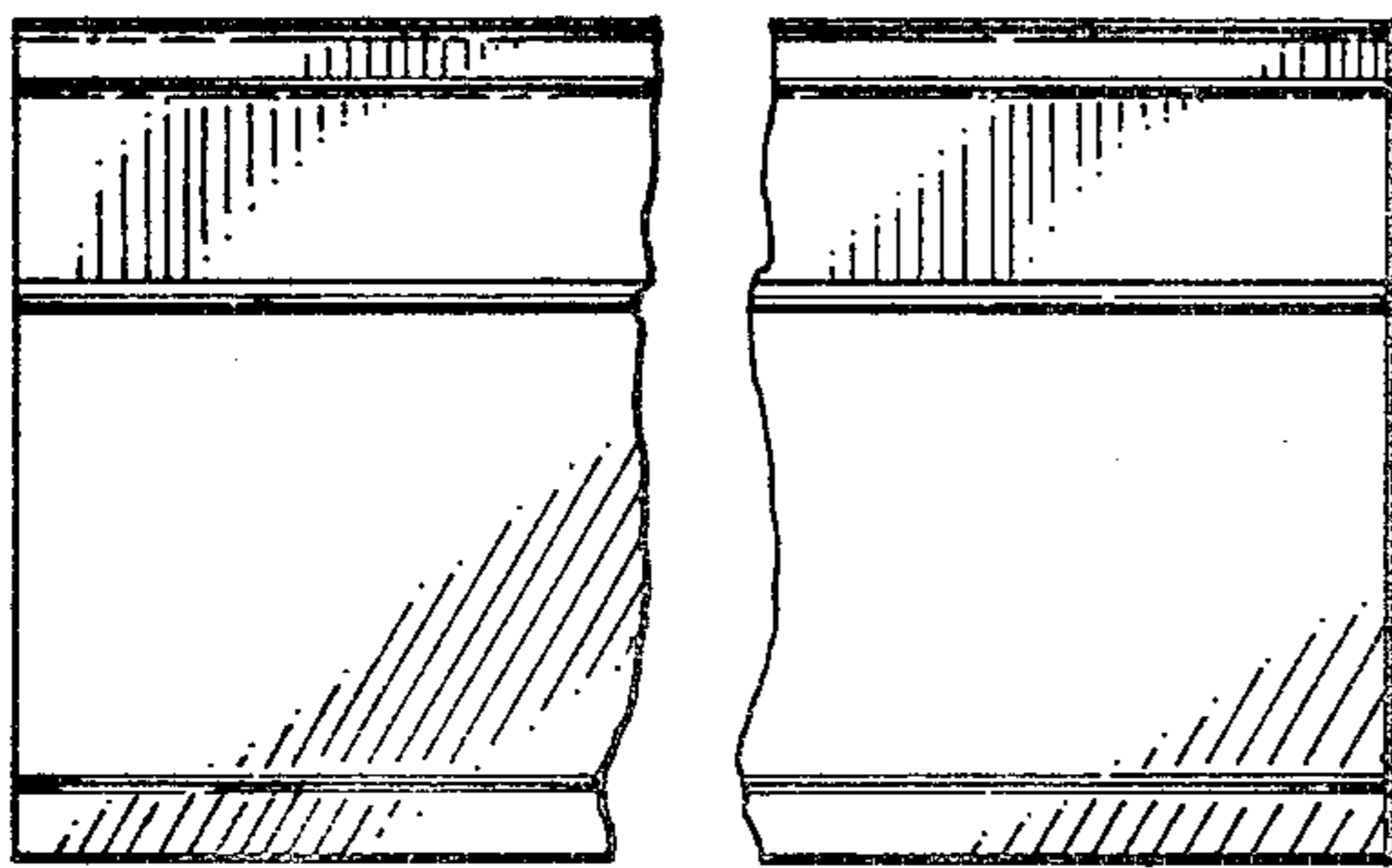


FIG. 4

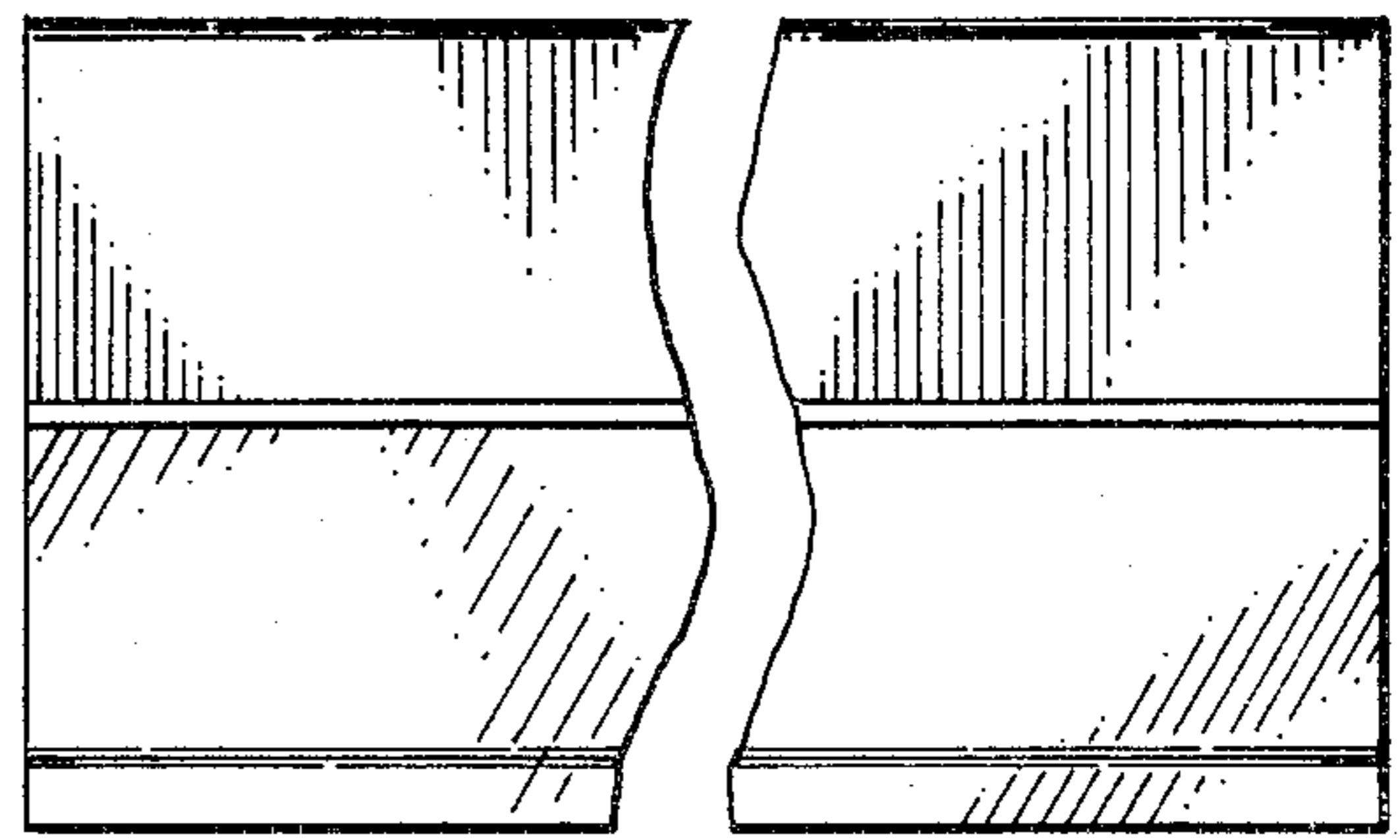


FIG. 5

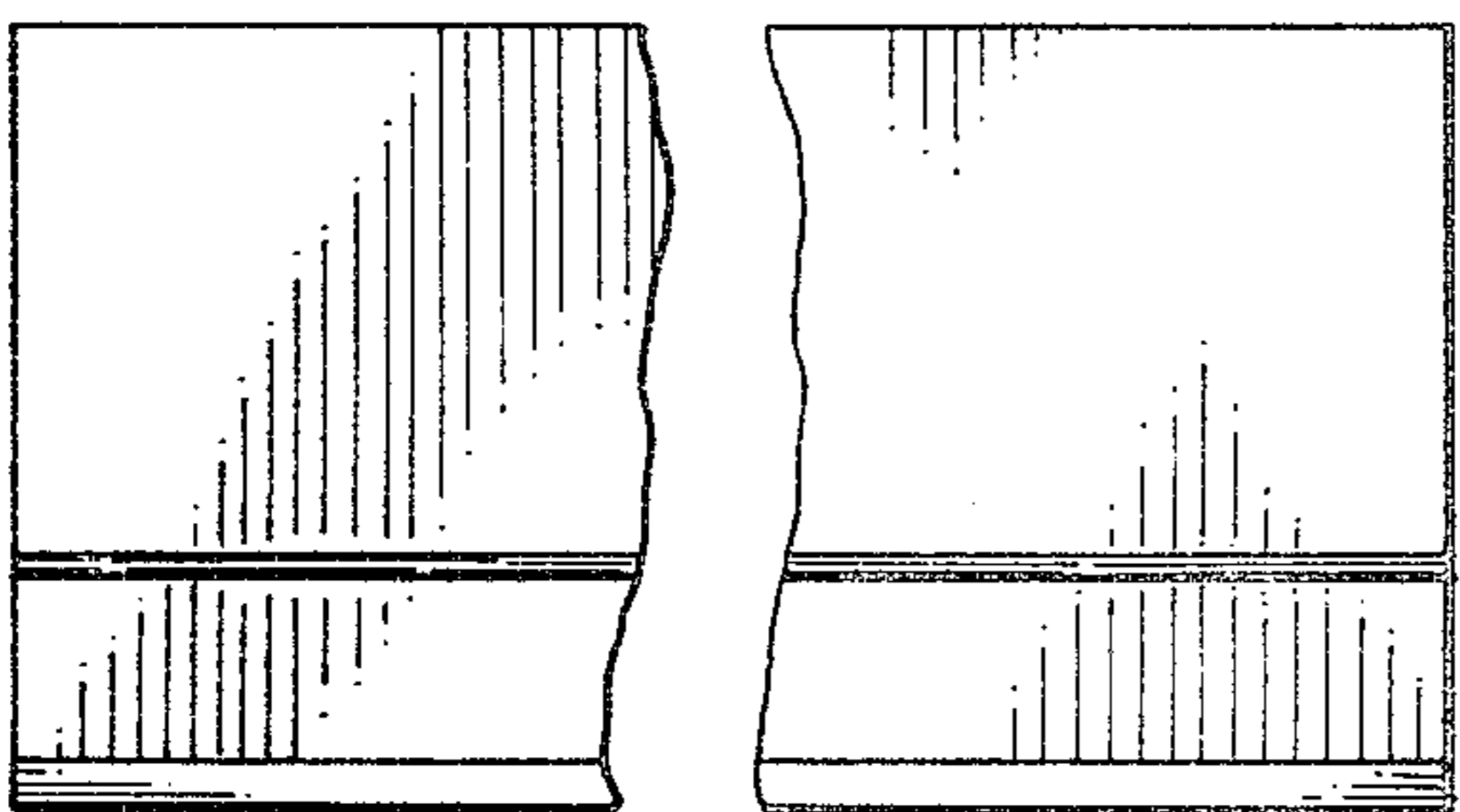


FIG. 6

