

[54] **ICE CREAM SHOP**

[76] **Inventor: Joseph J. DeStefano, 531 DeCoursey St., Independence, Ky. 41051**

[**] **Term: 14 Years**

[21] **Appl. No.: 547,662**

[22] **Filed: Oct. 28, 1983**

[52] **U.S. Cl. D25/10; D25/19**

[58] **Field of Search D25/1, 7, 3, 8, 16, D25/9, 10, 11, 18, 19; D9/329; D7/5; D21/245, 115; 248/163.1; 52/79**

[56] **References Cited**

U.S. PATENT DOCUMENTS

D. 78,897 7/1929 Peterson D25/10
D. 151,559 10/1948 Sachs D25/10
D. 229,924 1/1974 Brown D25/18 X

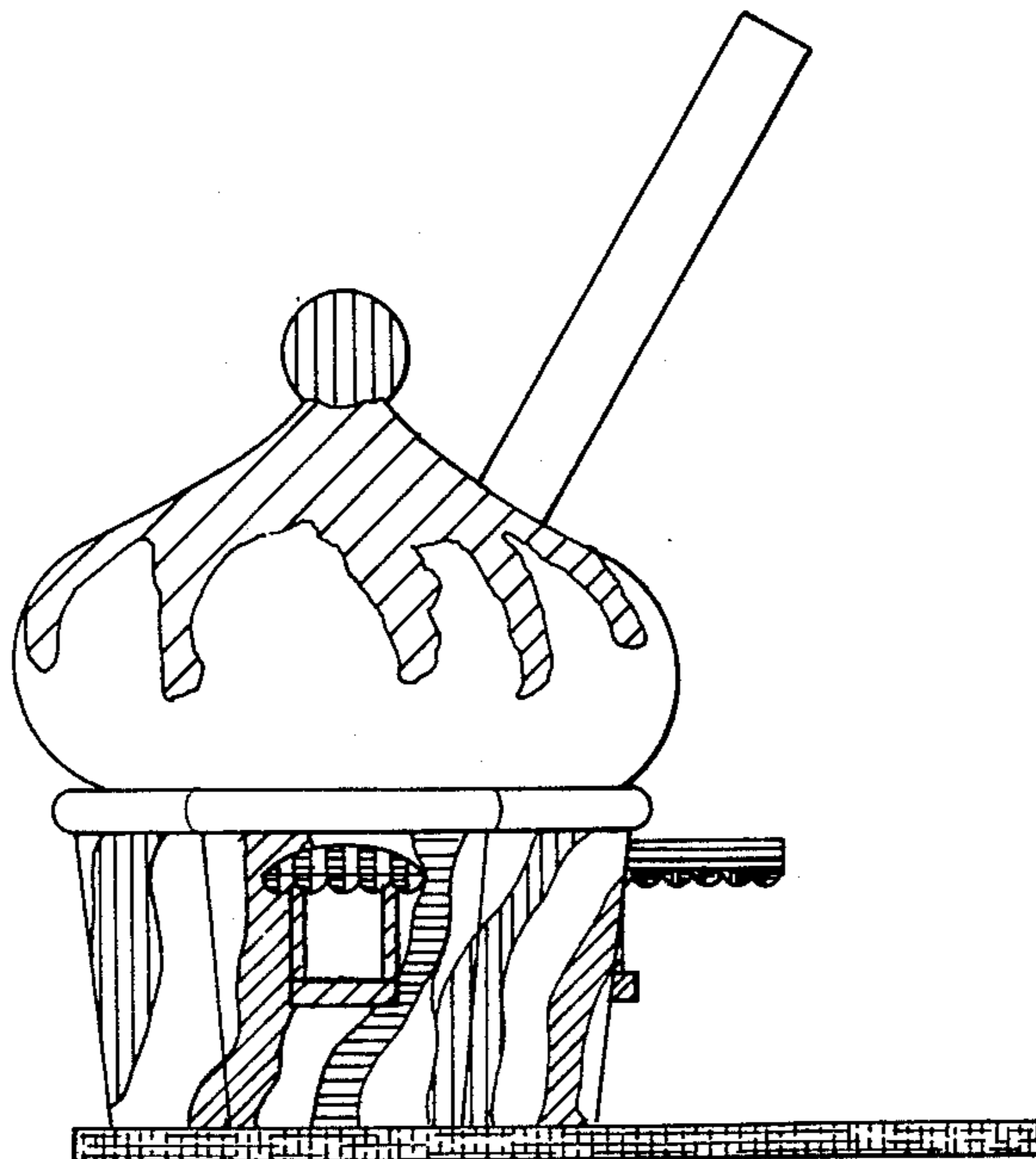
Primary Examiner—A. Hugo Word
Attorney, Agent, or Firm—James B. Lake, Jr.

[57] **CLAIM**

The ornamental design for an ice cream shop, as shown.

DESCRIPTION

FIG. 1 is a right side elevation of the invention, FIG. 2 is a front view of the invention, FIG. 3 is a left side elevation of the invention, FIG. 4 is a rear view of the invention, and FIG. 5 is a plan view of the invention.



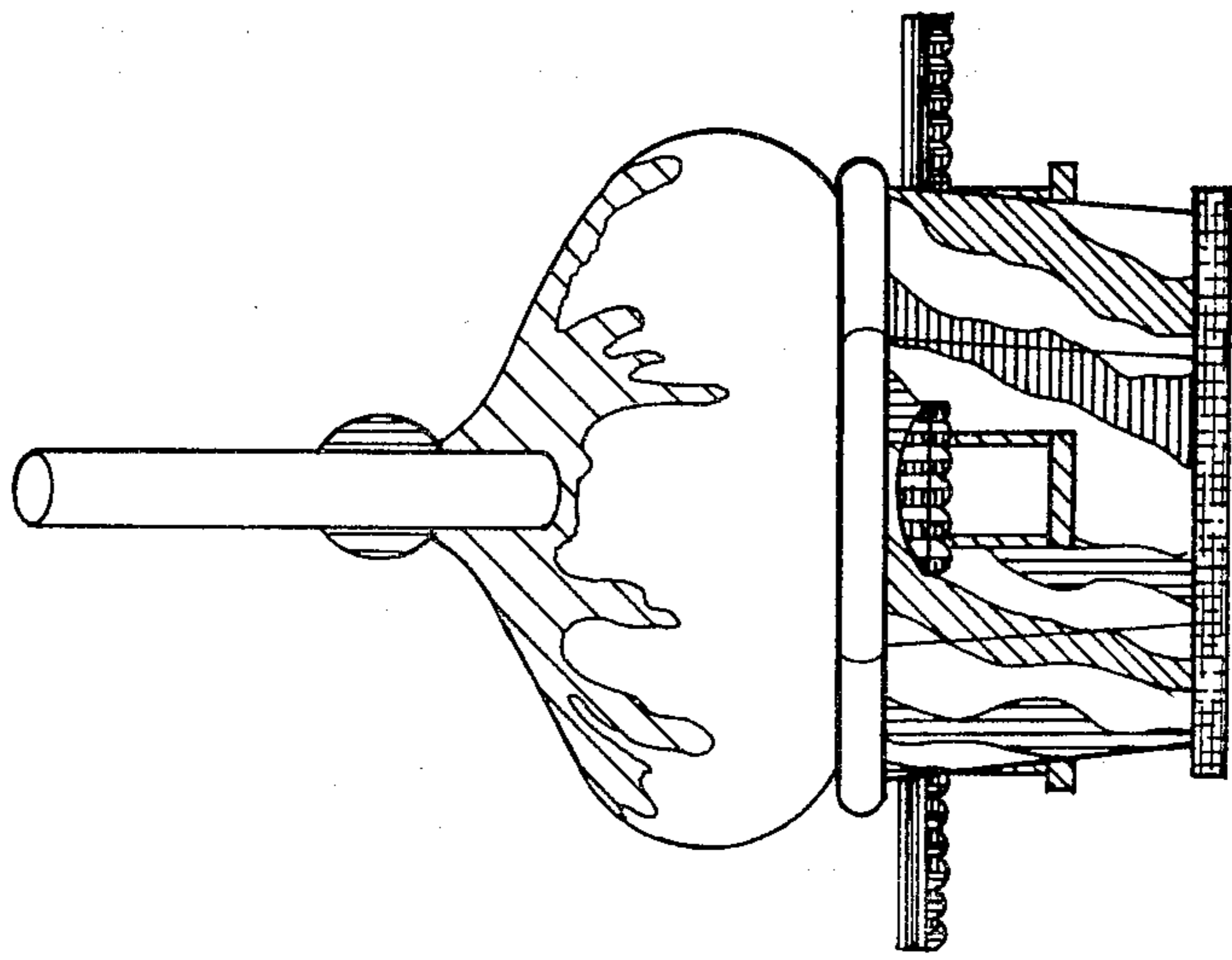


FIG. 2

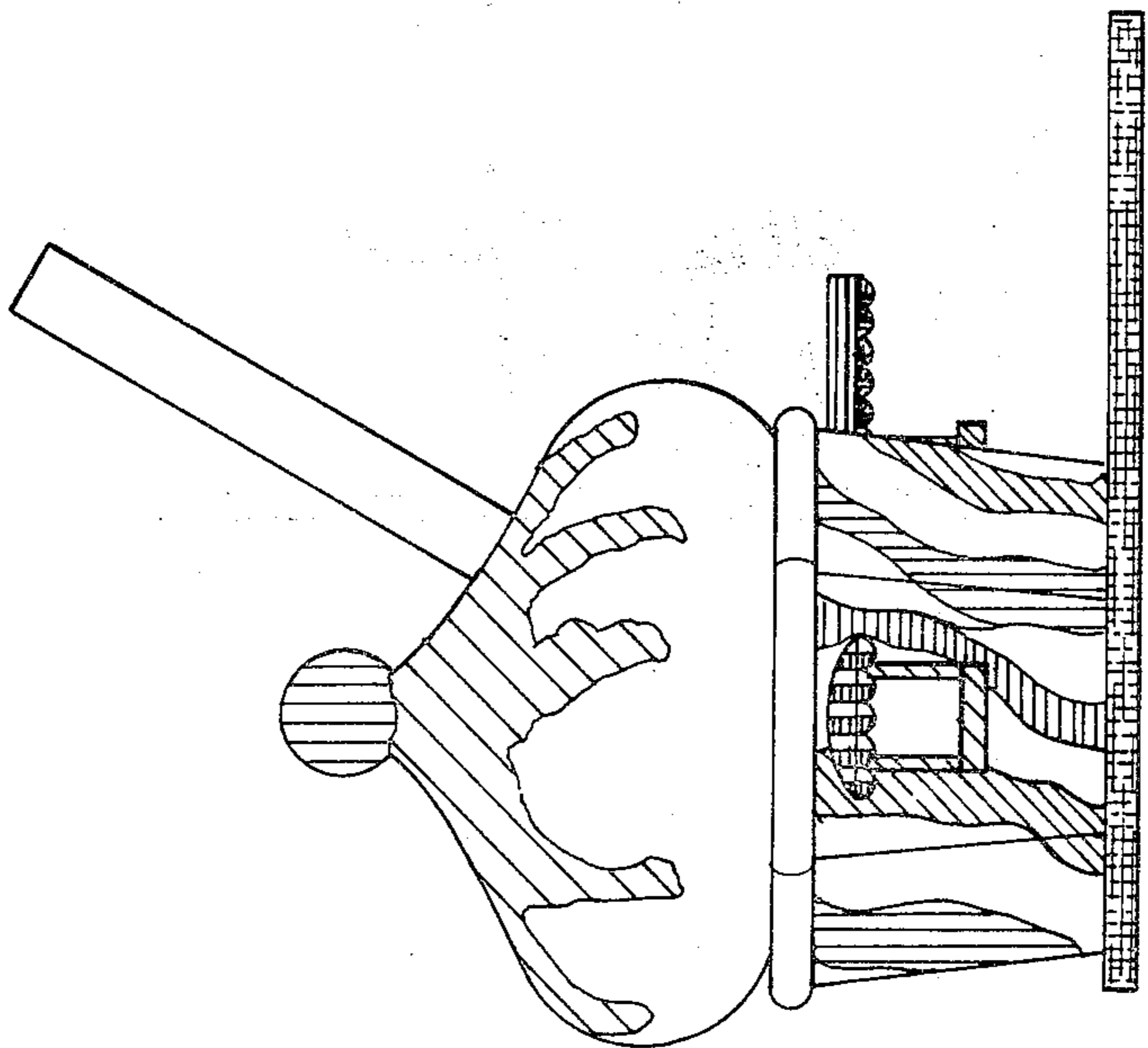


FIG. 1

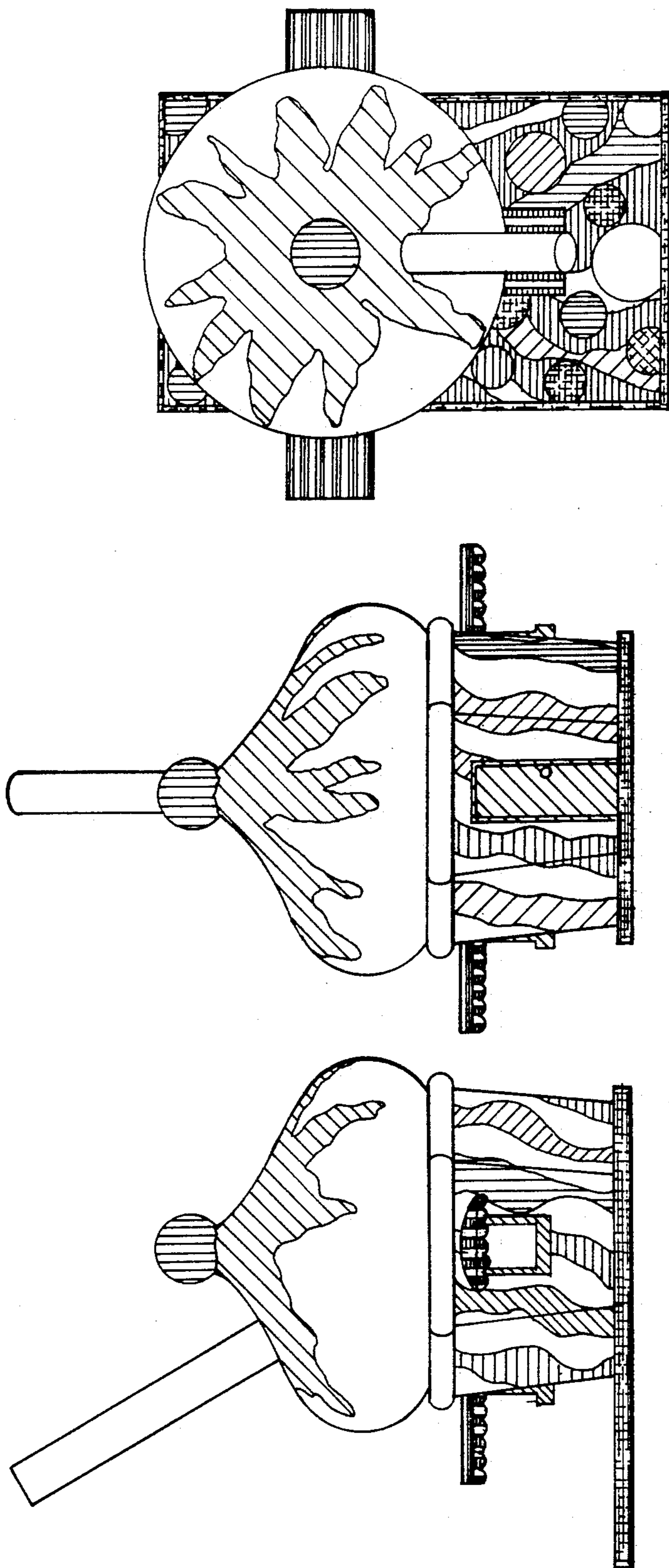


FIG. 4

FIG. 3

FIG. 5