

[54] SPLINT

4,299,211 11/1981 Doynow ..... 128/89 R  
4,383,523 5/1983 Schurman ..... 128/87 B X

[75] Inventor: Robert A. Russell, Annandale, Australia

Primary Examiner—Catherine E. Kemper  
Attorney, Agent, or Firm—McAulay, Fields, Fisher, Goldstein & Nissen

[73] Assignee: Consulting Organization of Sydney College of the Arts, Ltd., Glebe, Australia

[57] CLAIM

[\*\*] Term: 14 Years

The ornamental design for a splint, as shown and described.

[21] Appl. No.: 488,141

DESCRIPTION

[22] Filed: Apr. 25, 1983

[52] U.S. Cl. .... D24/64

[58] Field of Search ..... D24/64; 128/87, 78, 128/89, 84, 85, 88

FIG. 1 is a top plan view of a splint, showing my new design;

FIG. 2 is a side elevational view thereof;

FIG. 3 is an end elevational view thereof;

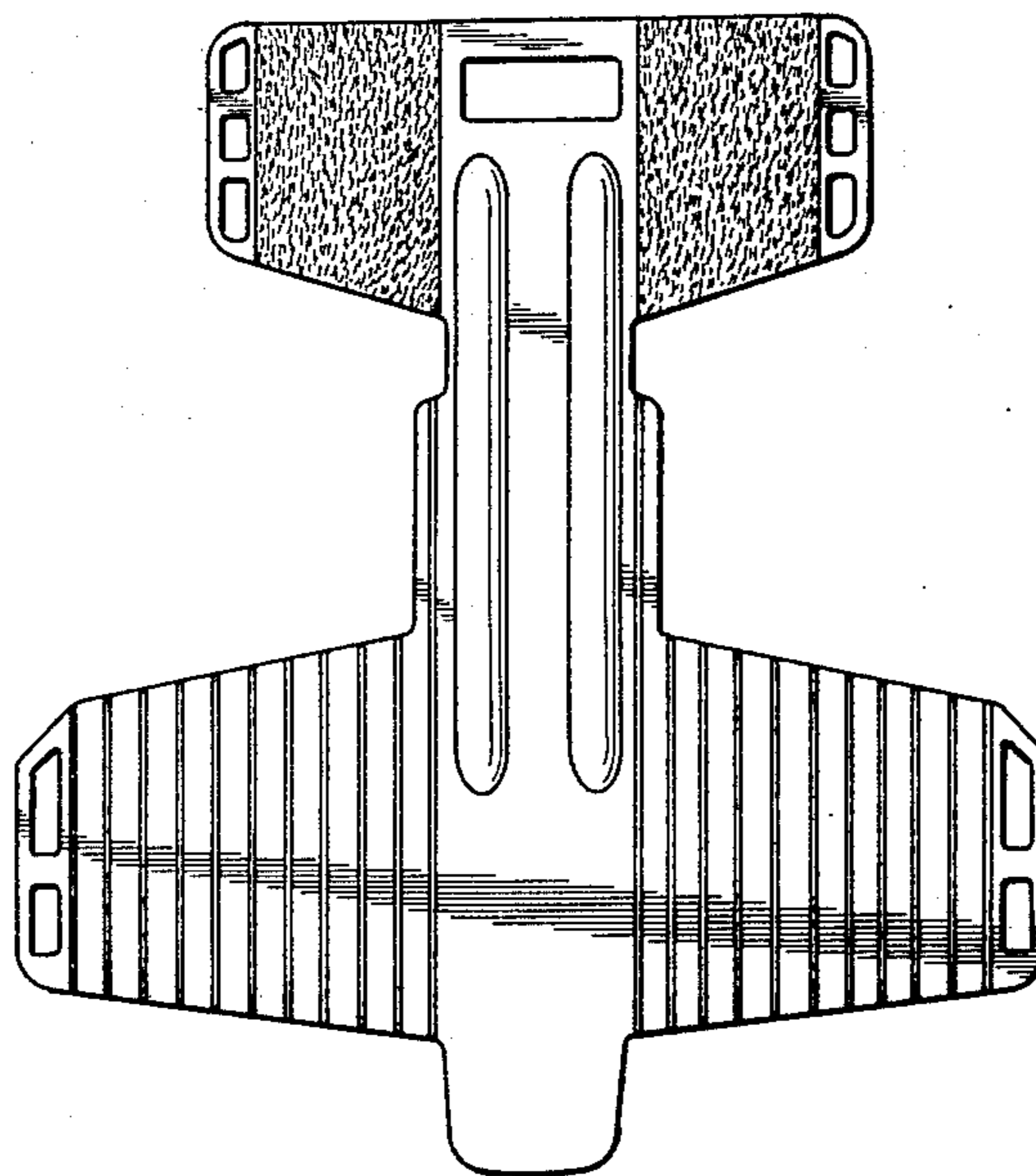
FIG. 4 is a front perspective view thereof;

FIG. 5 is a front perspective view showing the splint applied to a patient, with the broken line disclosure being for illustrative purposes only and forming no part of the claimed design.

[56] References Cited

U.S. PATENT DOCUMENTS

D. 242,955 1/1977 Arluck ..... D24/64  
4,211,218 7/1980 Kendrick ..... 128/87 R



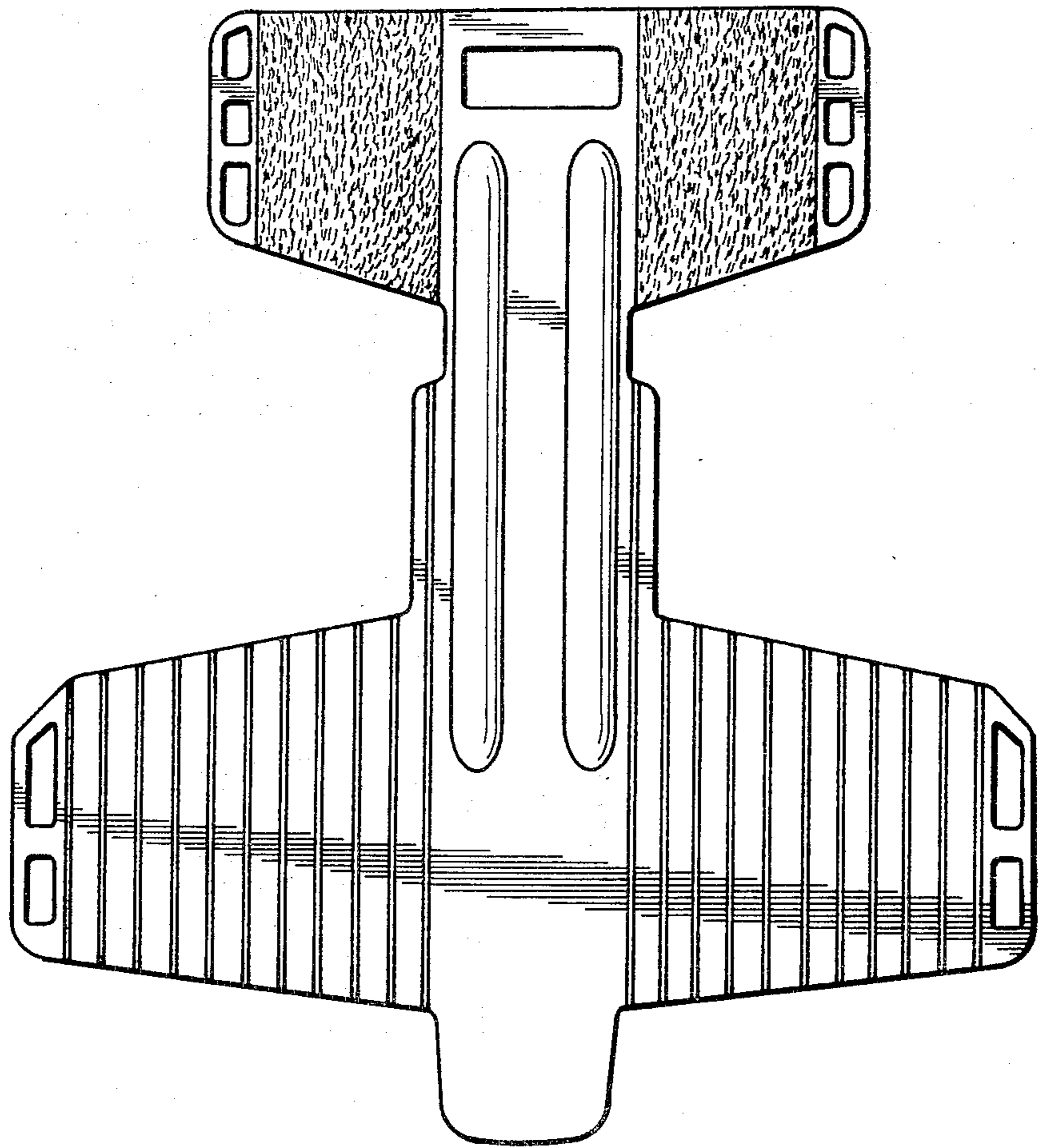


FIG. 1



FIG. 2



FIG. 3

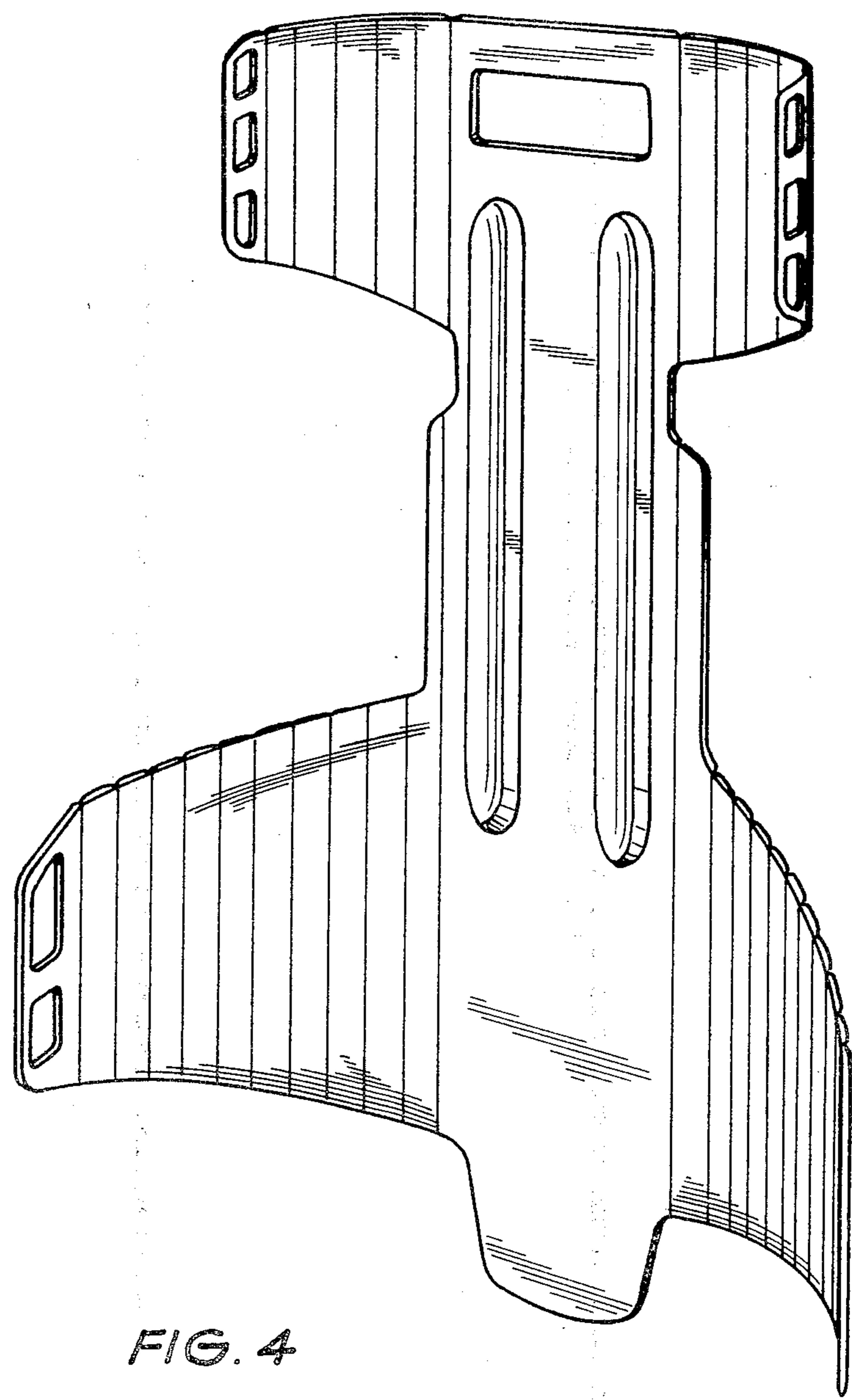


FIG. 4

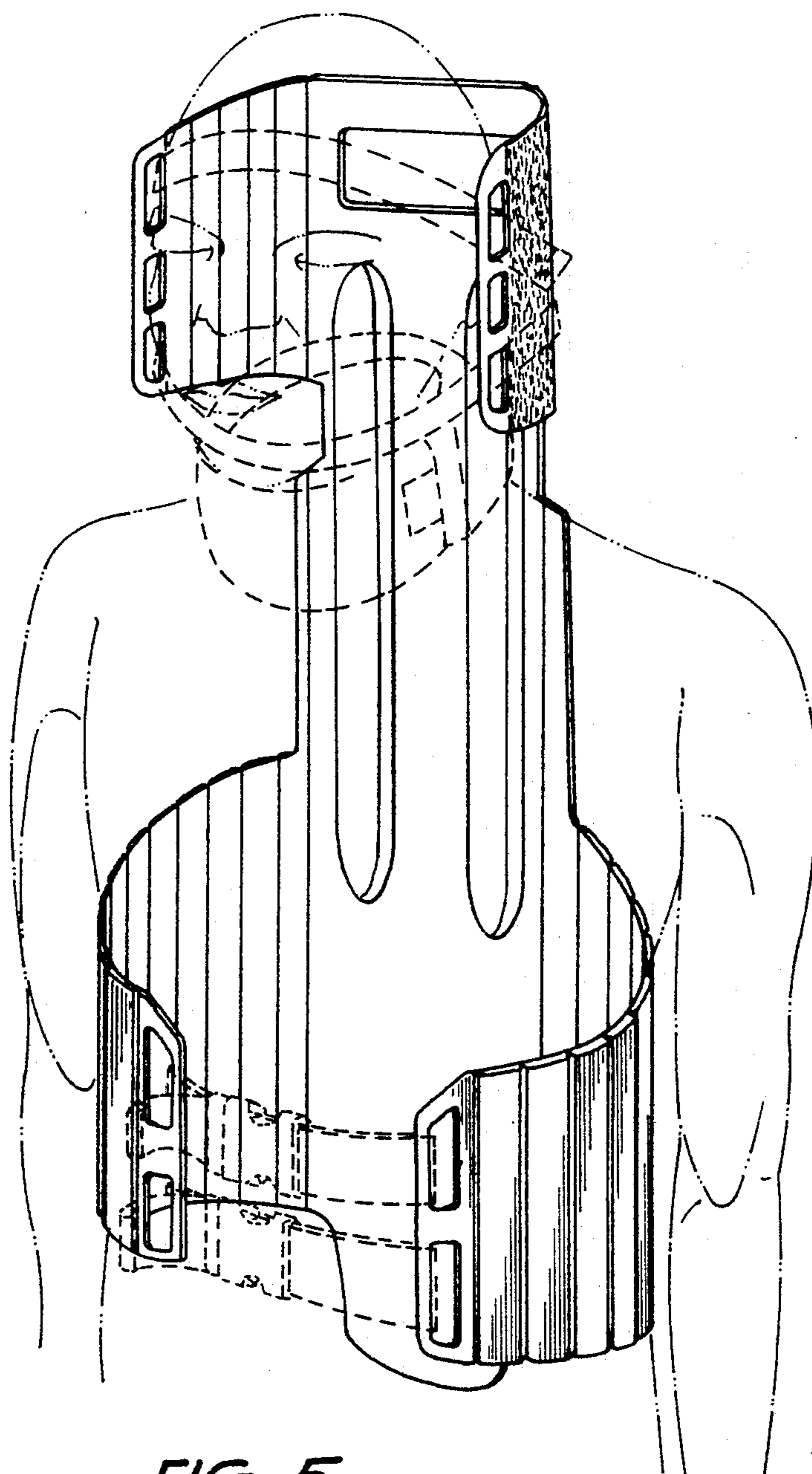


FIG. 5