

[54] BATHTUB RAIL

[76] Inventor: Kurt Landsberger, 103 Harrison St., Verona, N.J. 07044

[**] Term: 14 Years

[21] Appl. No.: 588,196

[22] Filed: Mar. 12, 1984

[52] U.S. Cl. D23/69

[58] Field of Search D23/69; 4/511, 571, 4/576, 577, 611

[56] References Cited

U.S. PATENT DOCUMENTS

2,642,581	6/1953	Loe	4/577
3,894,300	7/1975	Shively	4/577
4,417,361	11/1983	Smith	4/577

FOREIGN PATENT DOCUMENTS

872505 6/1971 Canada 4/577

Primary Examiner—James M. Gandy
Attorney, Agent, or Firm—Anthony F. Cuoco

[57] CLAIM

The ornamental design for a bathtub rail, as shown and described.

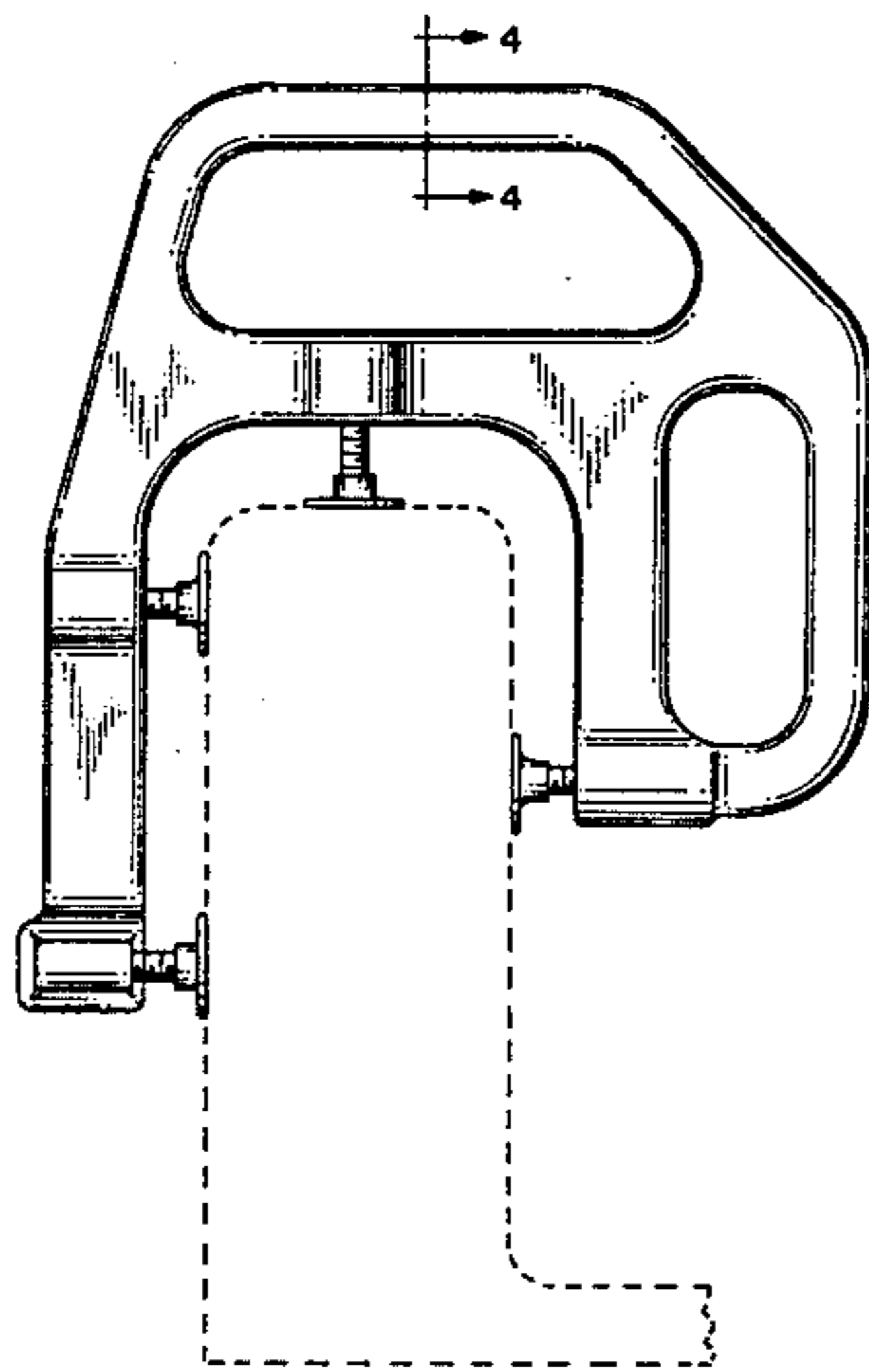
DESCRIPTION

FIG. 1 is a side elevation view of a bathtub rail showing my design, with the bathtub being shown in broken lines for illustrative purposes only.

FIG. 2 is a left end elevation view thereof relative to FIG. 1.

FIG. 3 is a right end elevation view thereof relative to FIG. 1.

FIG. 4 is an enlarged sectional view taken along line 4—4 in FIG. 1 and representative of a typical section of my design.



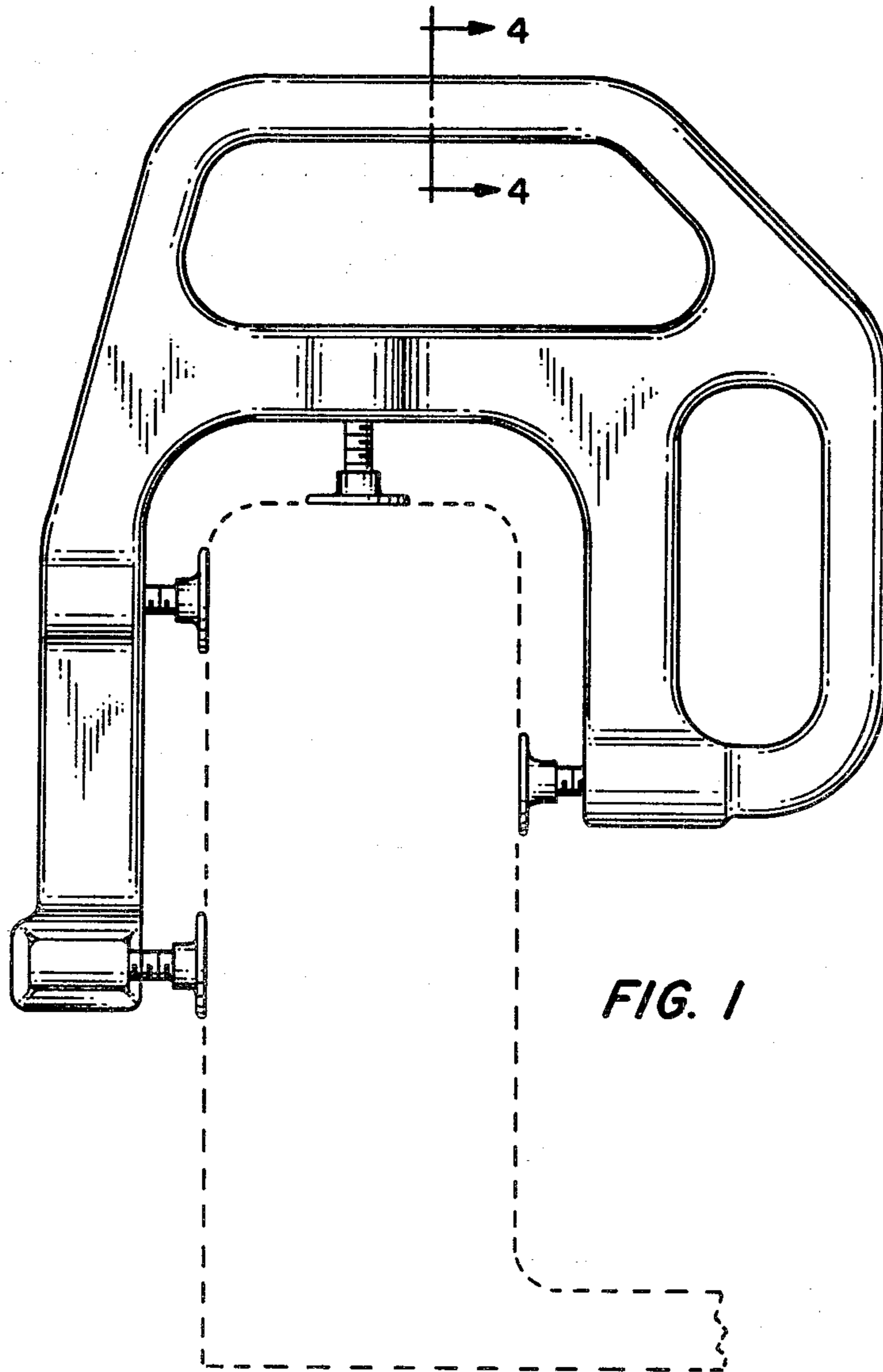


FIG. 1

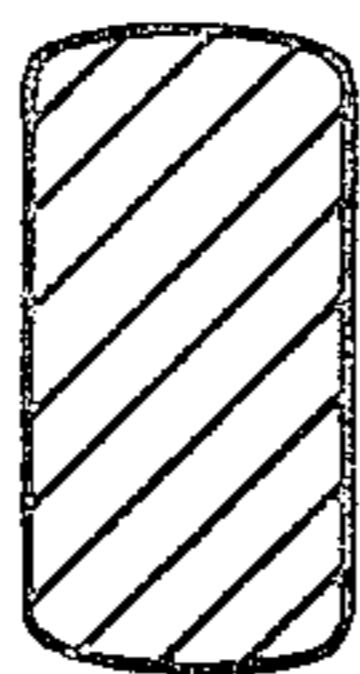


FIG. 4

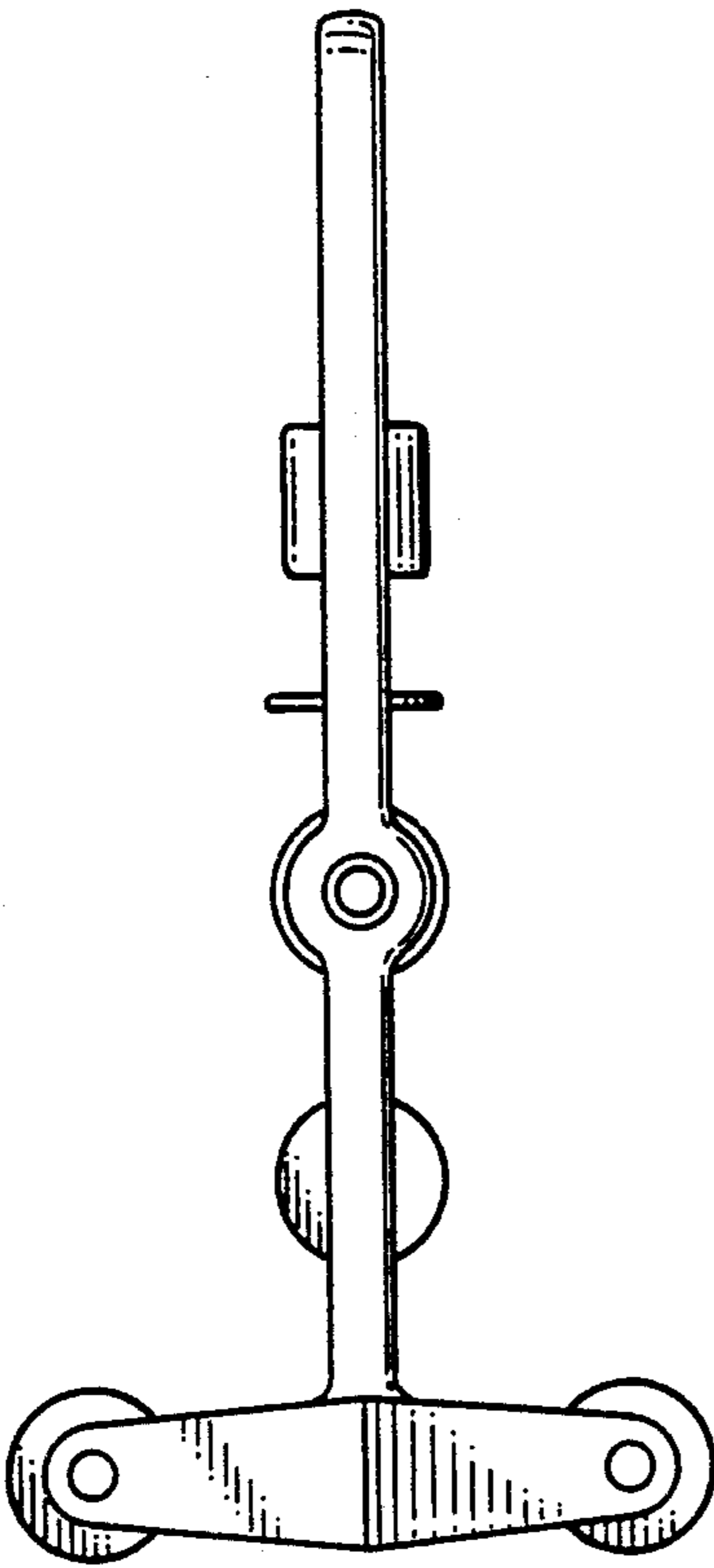


FIG. 2

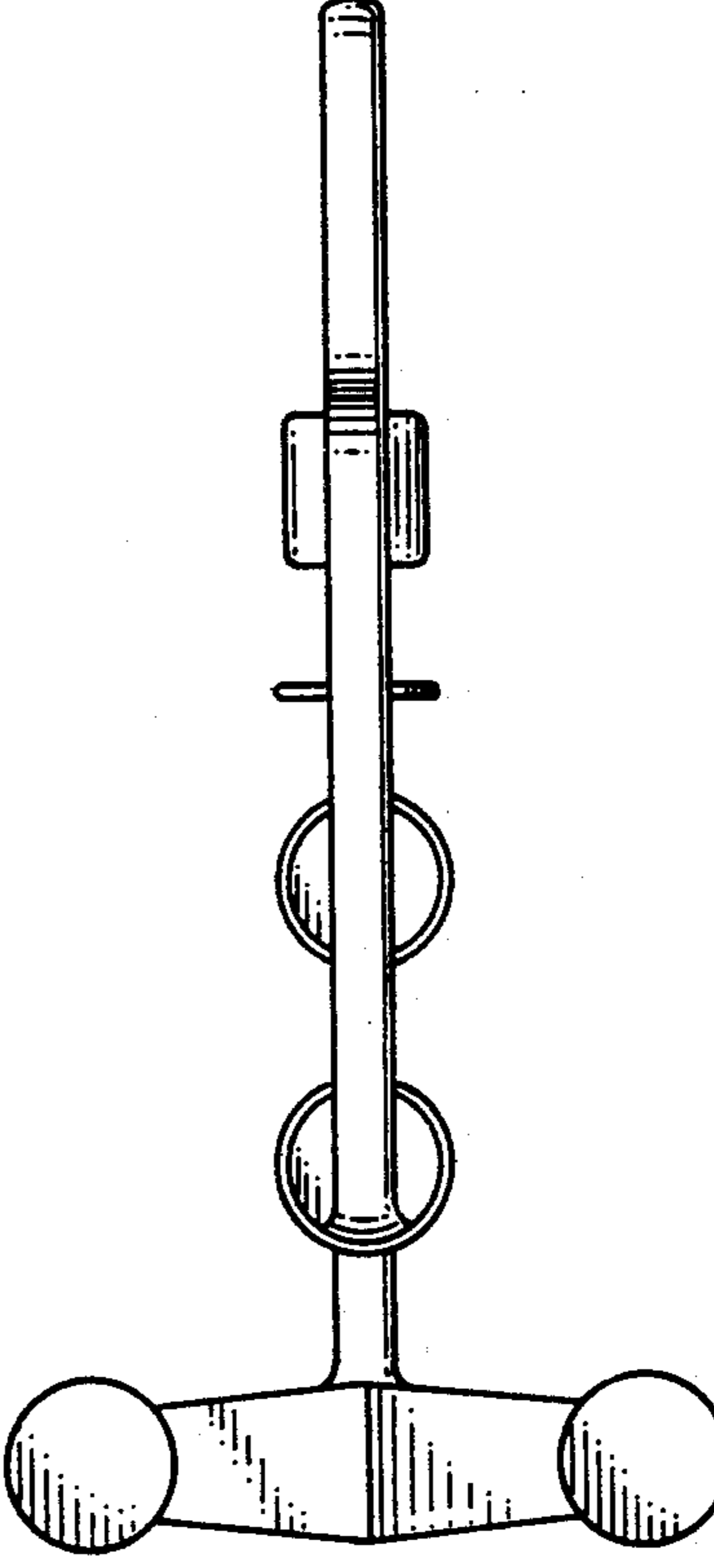


FIG. 3