

[54] **WATER CLOSET**

[75] **Inventor: Andrew L. Alger, Wilmette, Ill.**

[73] **Assignee: Household Manufacturing, Inc., Prospect Heights, Ill.**

[**] **Term: 14 Years**

[21] **Appl. No.: 476,596**

[22] **Filed: Mar. 18, 1983**

[52] **U.S. Cl. D23/65**

[58] **Field of Search D23/49, 65-67; 4/300, 321, 329-332, 353, 420**

[56] **References Cited**

U.S. PATENT DOCUMENTS

D. 199,021	9/1964	Stairs, Jr.	D23/65
D. 199,235	9/1964	Tiller	D23/65
D. 215,656	10/1969	Armstrong	D23/65
D. 237,884	12/1975	Kovol	D23/65
D. 261,799	11/1981	Alger	D23/65
D. 276,176	10/1984	Kaiser	D23/65
4,162,548	7/1979	Groombridge et al.	4/329

OTHER PUBLICATIONS

Domestic Engineering, Mar. 1963, p. 139, Items (B) and (C).

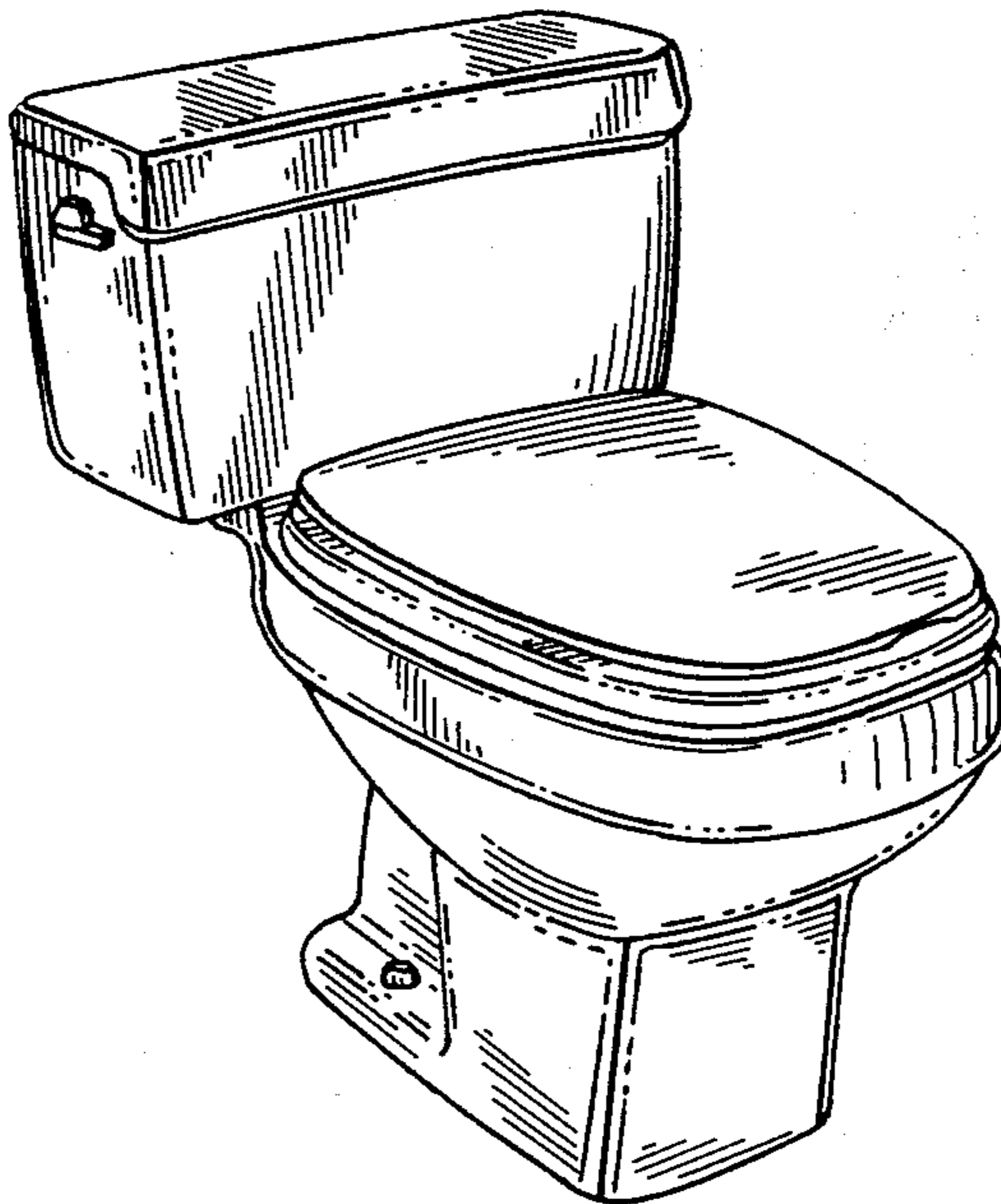
Primary Examiner—B. J. Bullock
Attorney, Agent, or Firm—Parmelee, Miller, Welsh & Kratz

[57] **CLAIM**

The ornamental design for a water closet, as shown and described.

DESCRIPTION

FIG. 1 is a top plan view of a water closet showing my design;
FIG. 2 is a bottom plan view thereof;
FIG. 3 is a front elevational view thereof;
FIG. 4 is a rear elevational view thereof;
FIG. 5 is a left side elevational view thereof, the right side being a mirror image for the left side shown, except for the omission of a flush handle; and
FIG. 6 is a perspective view thereof.



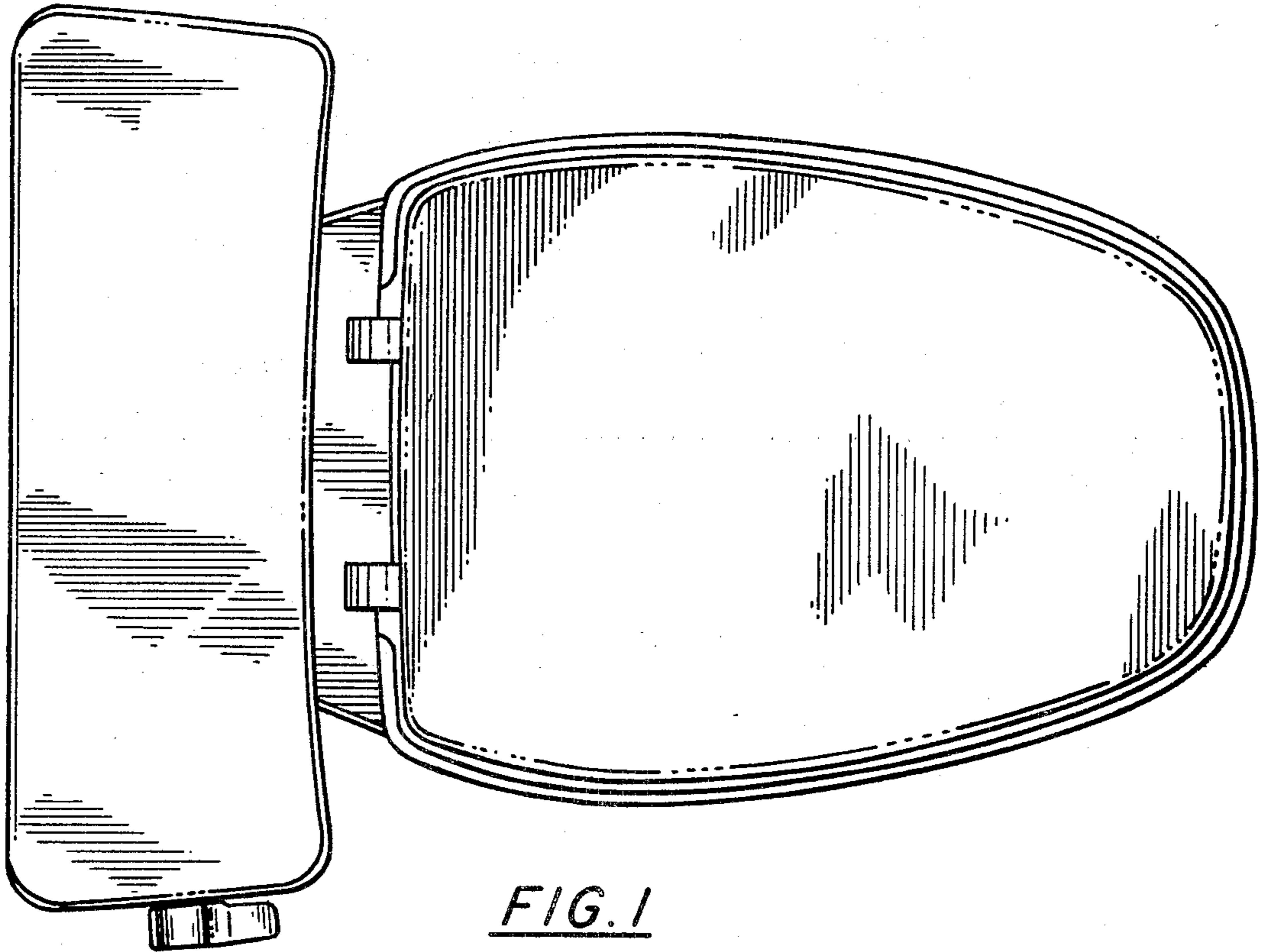


FIG. 1

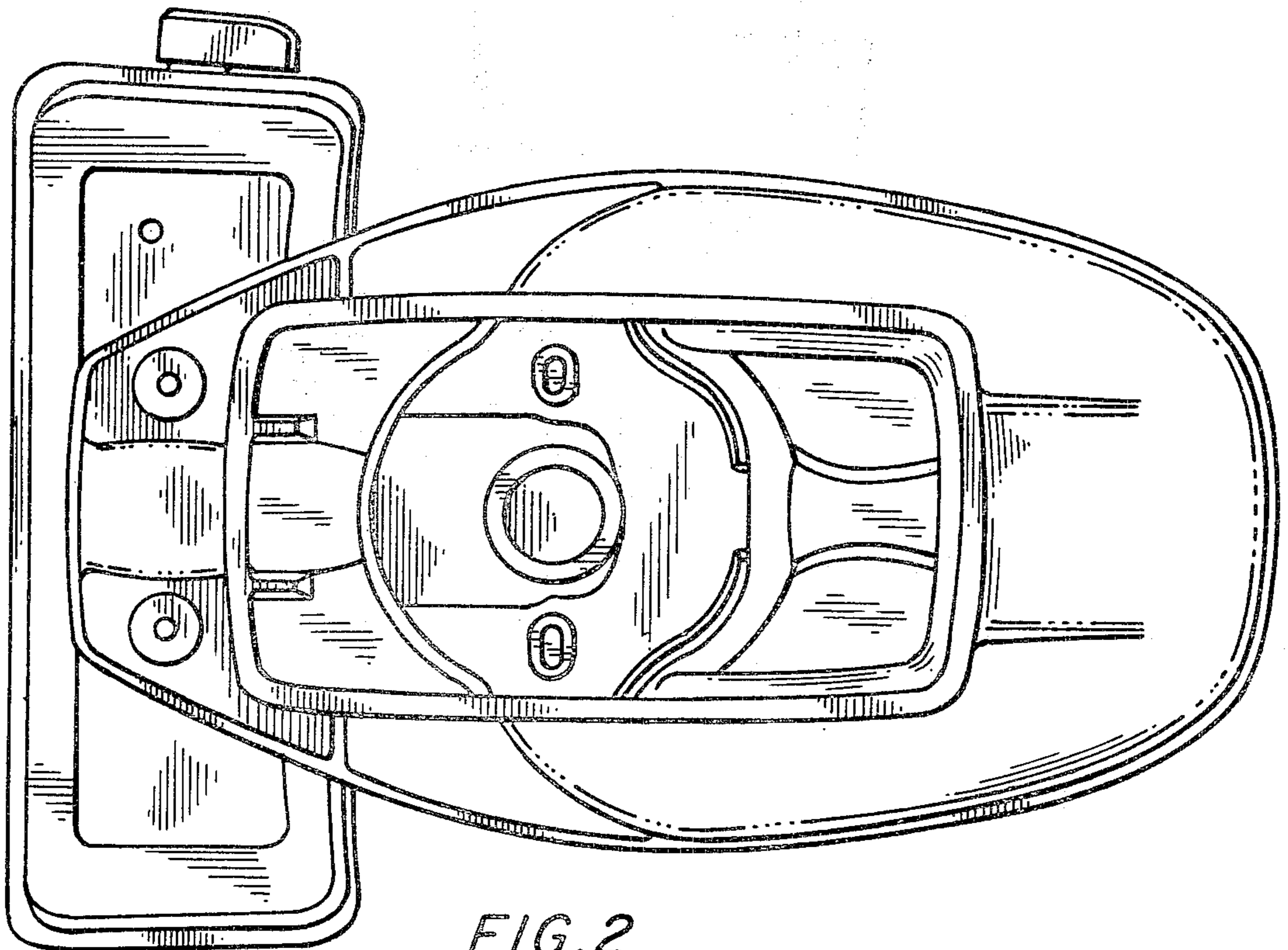


FIG. 2

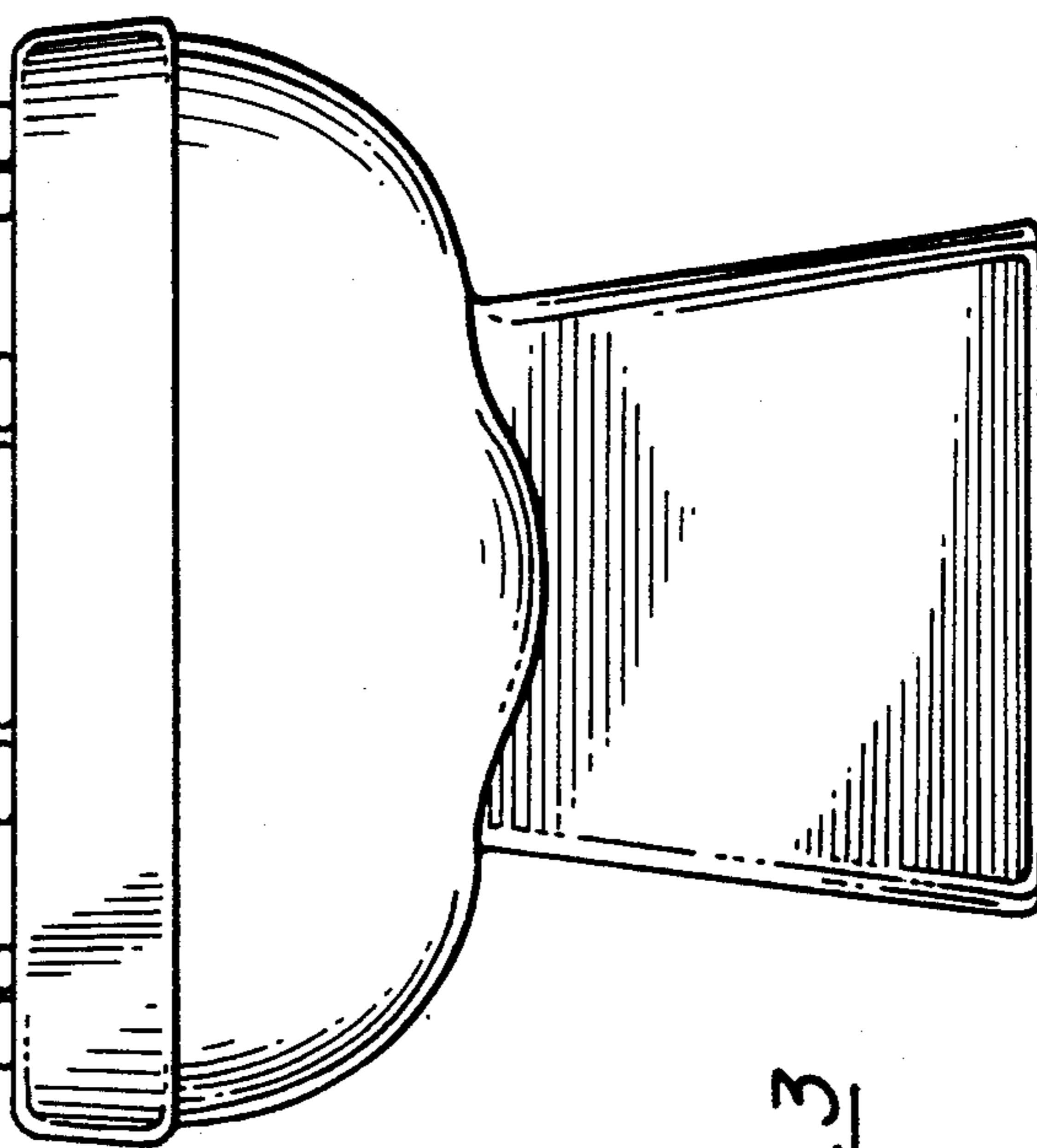
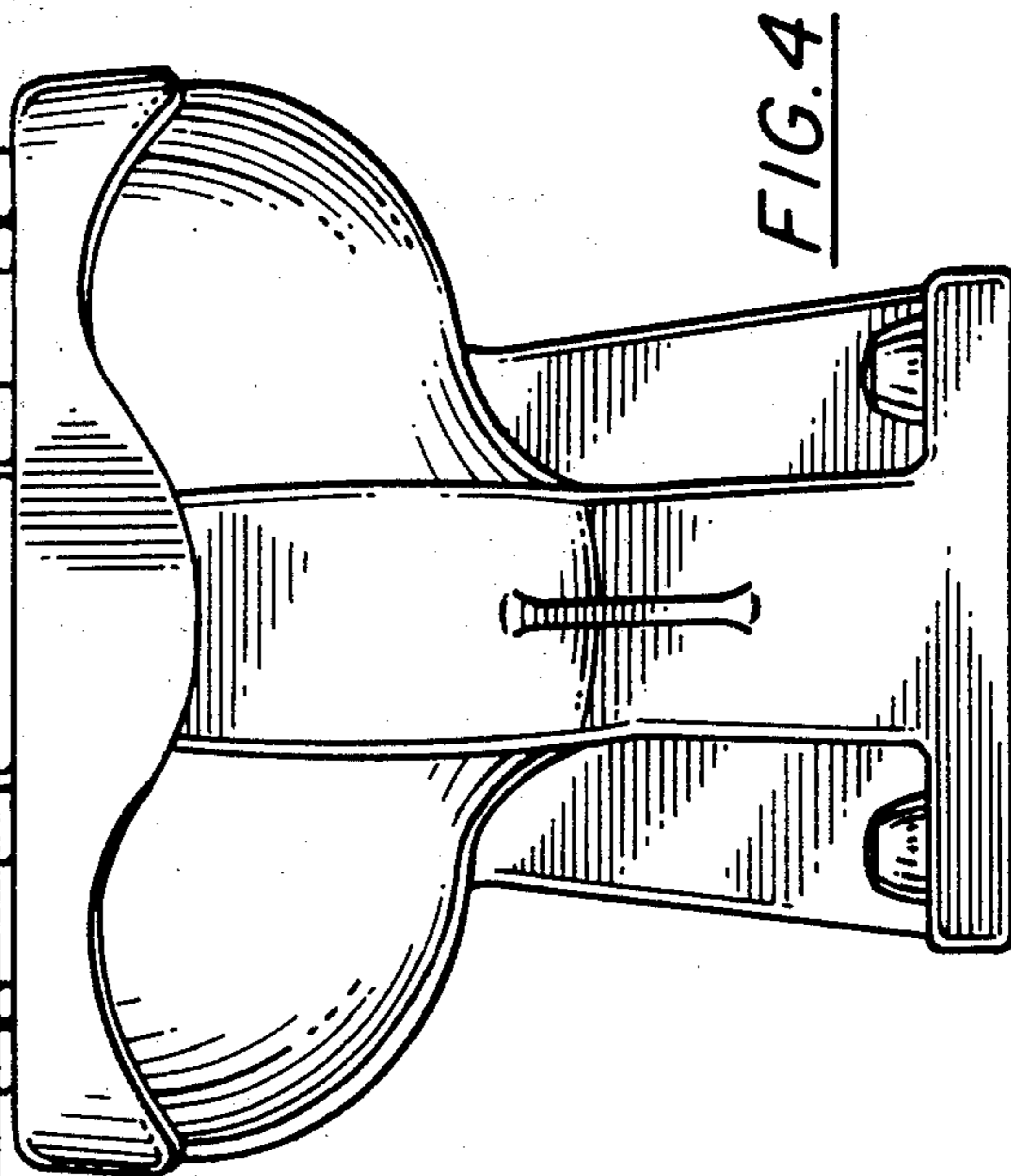
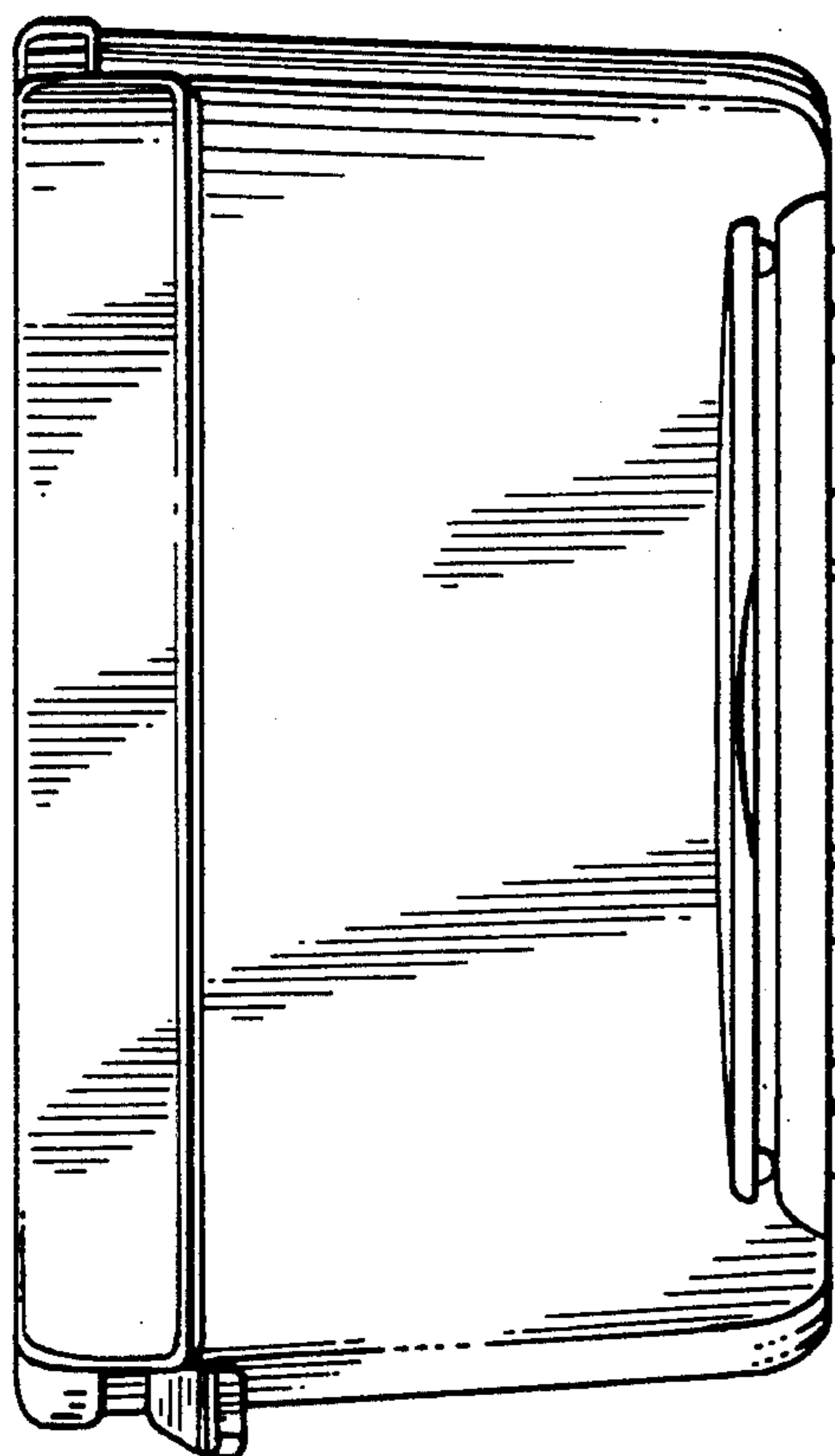
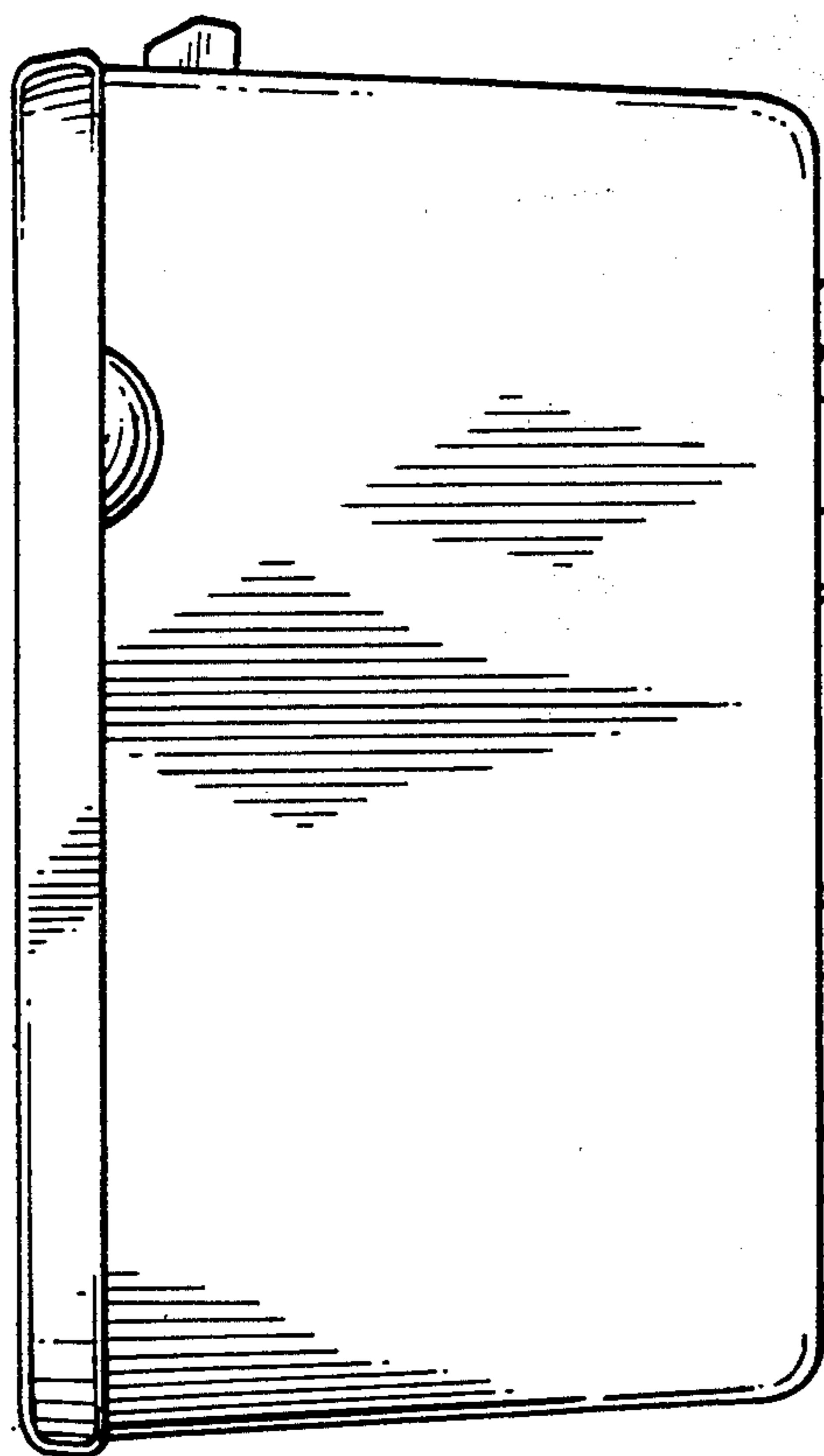


FIG. 4

FIG. 3

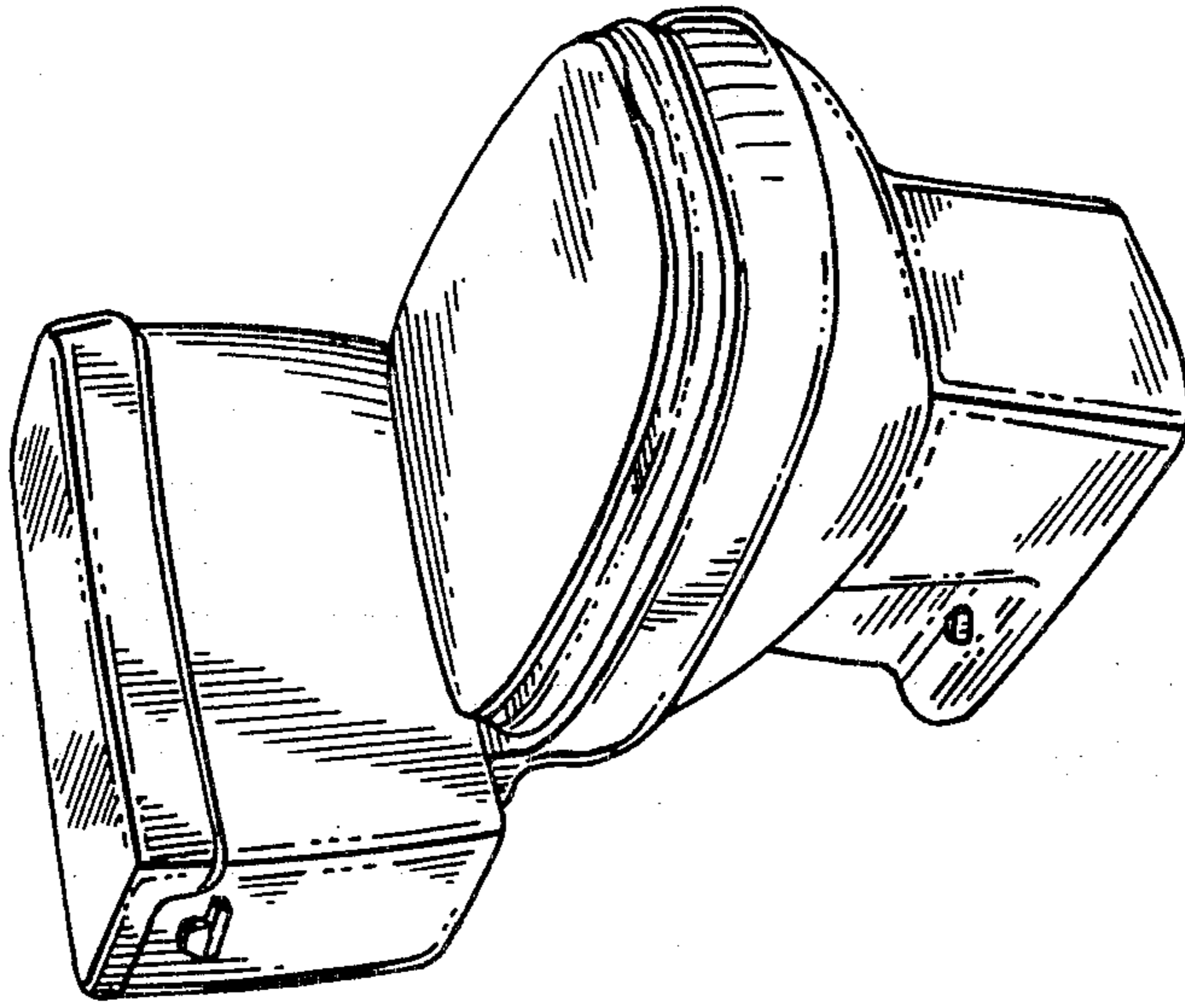


FIG. 6

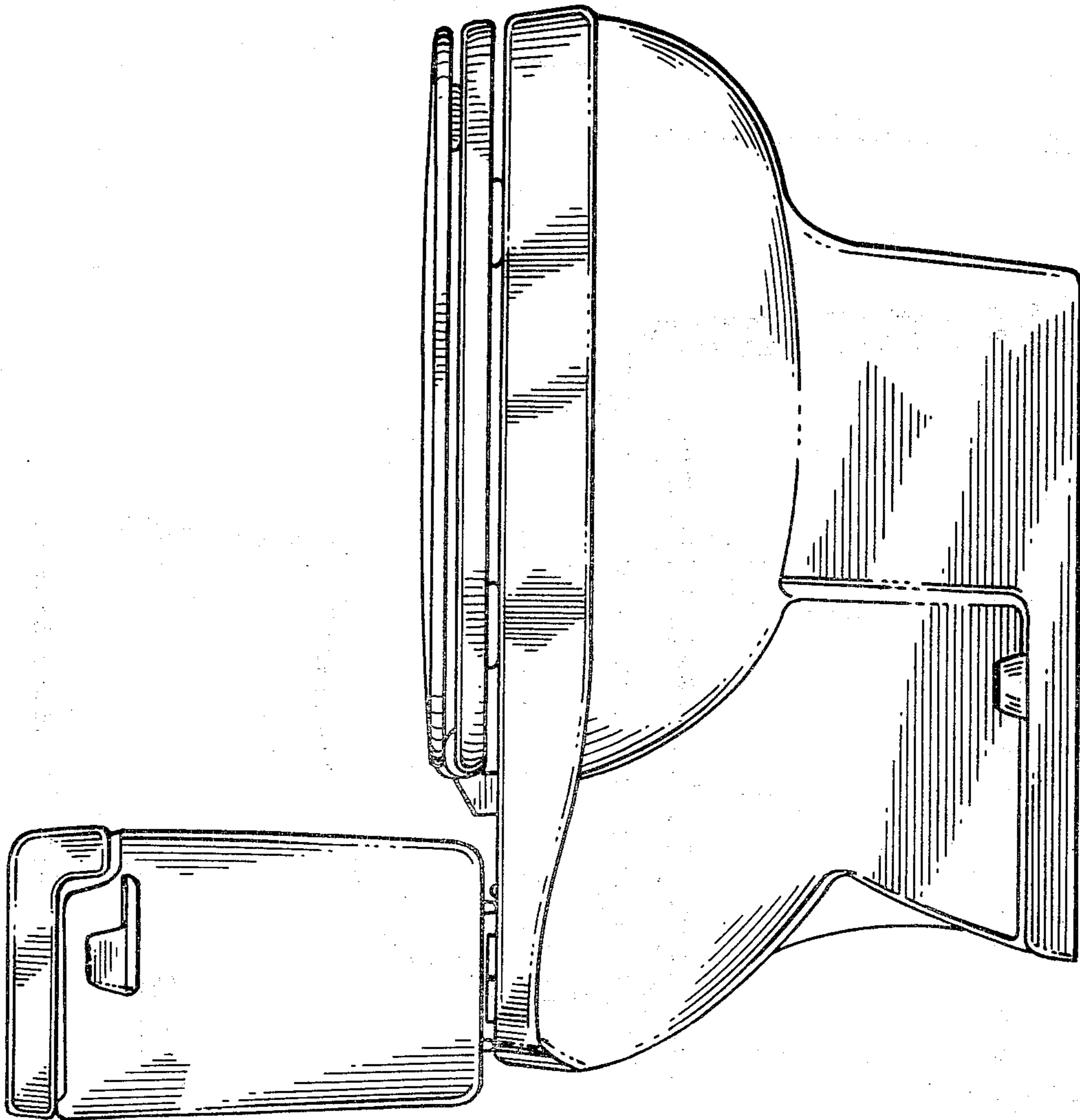


FIG. 5