

[54] INJECTOR NOZZLE

[75] Inventors: Kent W. Goessling, Fullerton; Erich E. Ginkel, San Dimas, both of Calif.

[73] Assignee: Rain Bird Consumer Products Mfg. Corp., Duarte, Calif.

[**] Term: 14 Years

[21] Appl. No.: 540,843

[22] Filed: Oct. 11, 1983

[52] U.S. Cl. D23/34

[58] Field of Search D23/14-16, D23/34-37, 40; 137/888; 417/151, 181; 239/310, 318

2,741,997 4/1956 Parker 417/181
 3,034,731 5/1962 Chapin 239/318
 3,132,806 5/1964 McNair et al. 239/318
 3,260,464 7/1966 Harant 239/310 X
 3,303,800 2/1967 Young 239/318 X
 3,470,826 10/1969 Foulds 417/181

Primary Examiner—James R. Lergen
 Attorney, Agent, or Firm—Fulwider, Patton, Rieber, Lee & Utecht

[57] CLAIM

The ornamental design for an injector nozzle, substantially as shown and described.

DESCRIPTION

FIG. 1 is a perspective view taken from the top, rear, and right sides of an injector nozzle embodying our new design;

FIG. 2 is a right side elevational view thereof;

FIG. 3 is a rear elevational view thereof;

FIG. 4 is a front elevational view thereof;

FIG. 5 is a left side elevational view thereof;

FIG. 6 is a top plan view thereof; and

FIG. 7 is a bottom plan view thereof.

[56] References Cited

U.S. PATENT DOCUMENTS

D. 244,937 7/1977 Houk D23/40
 2,215,132 9/1940 Parker 239/310 X
 2,230,201 1/1941 Hermann 239/310 X
 2,271,722 2/1942 Thornton 417/181
 2,381,589 8/1945 Hayes 417/181

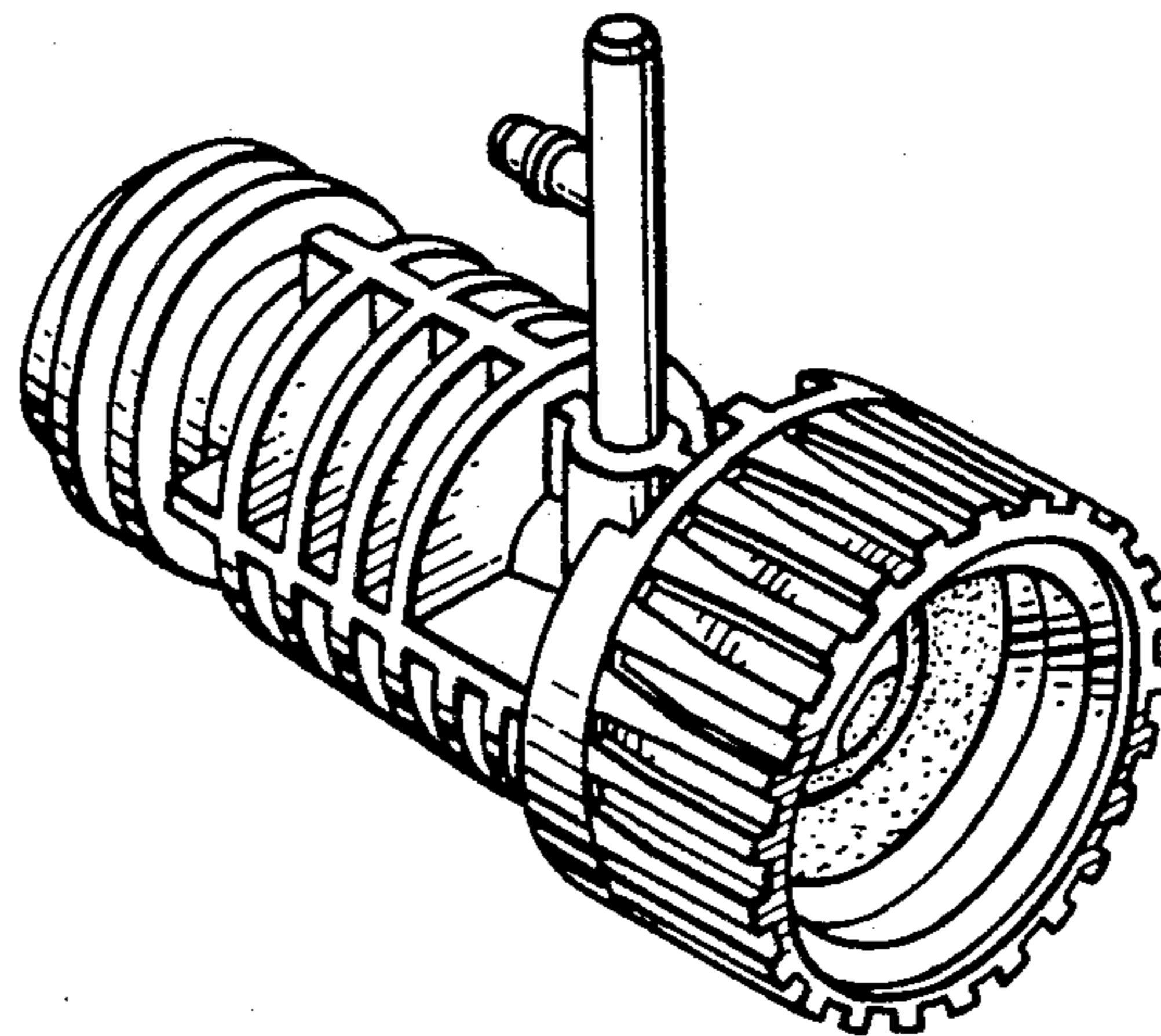


Fig. 1

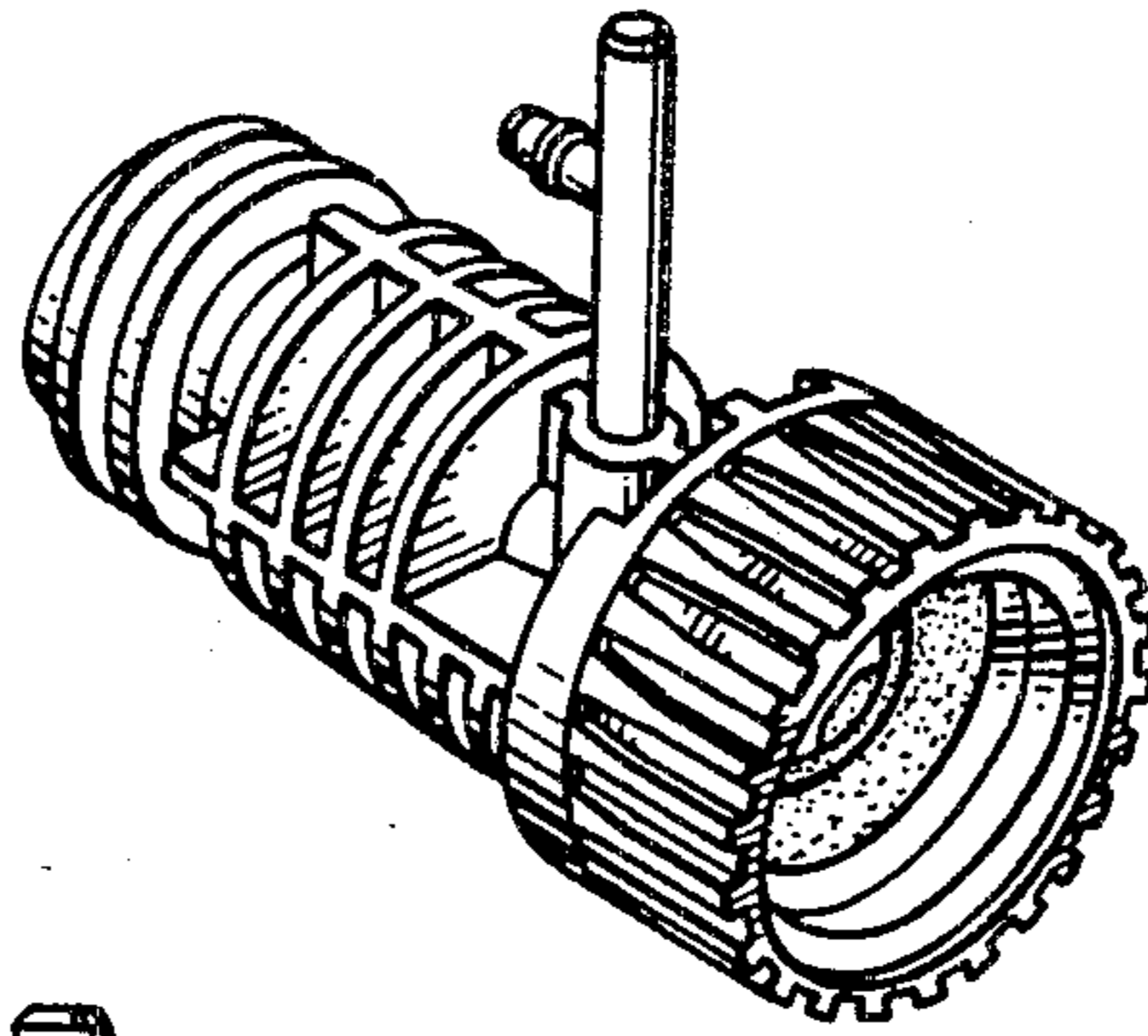


Fig. 2

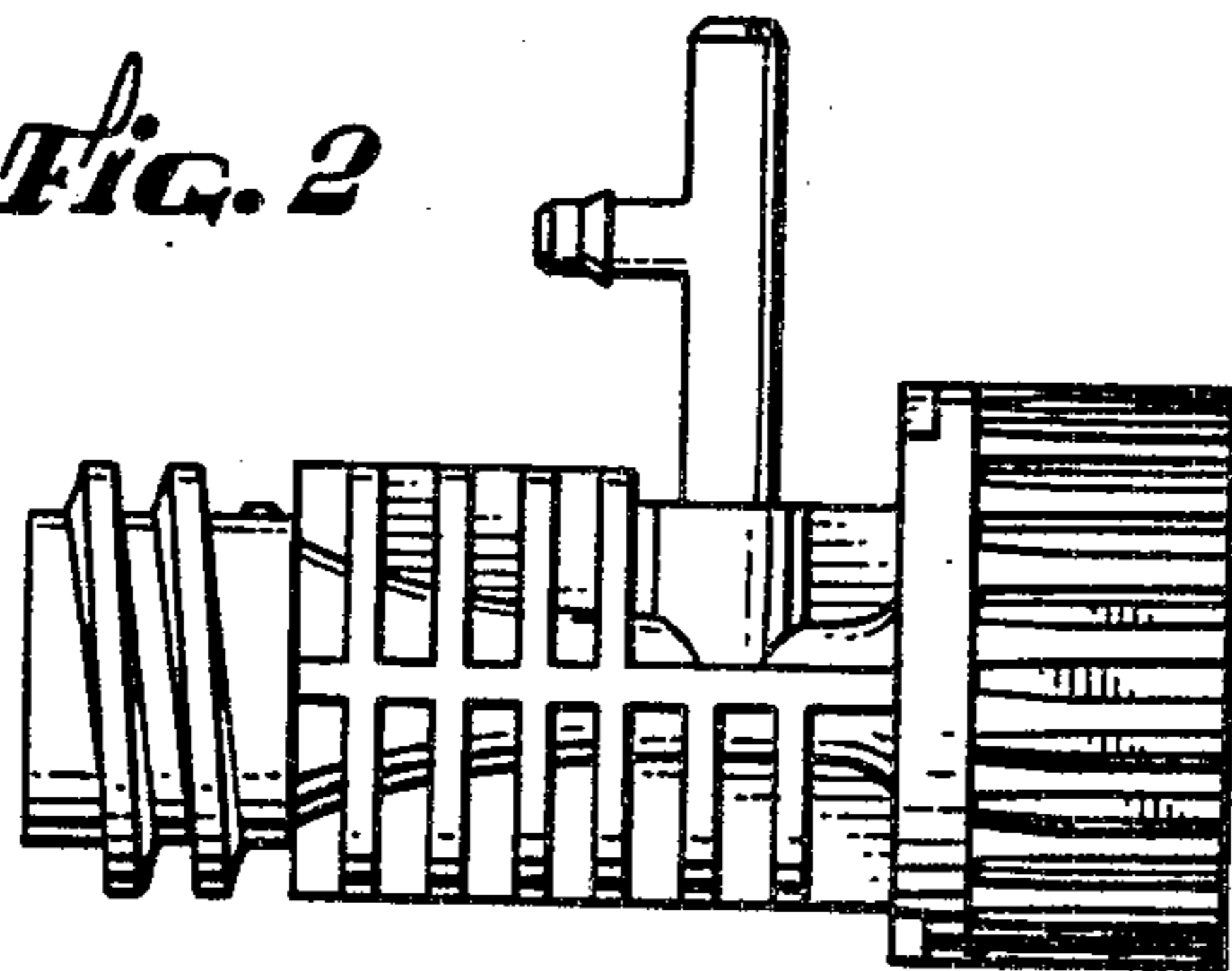


Fig. 3

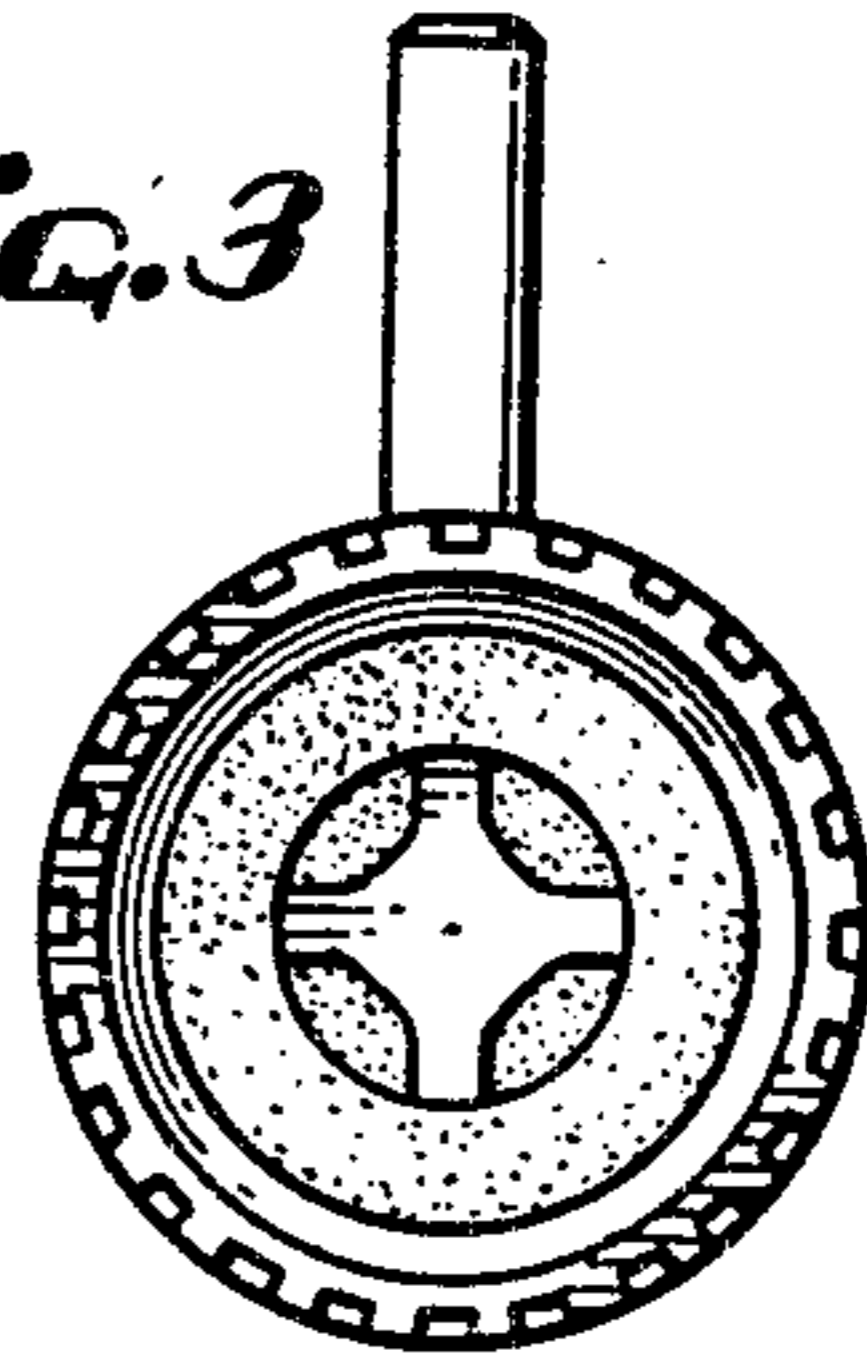


Fig. 4

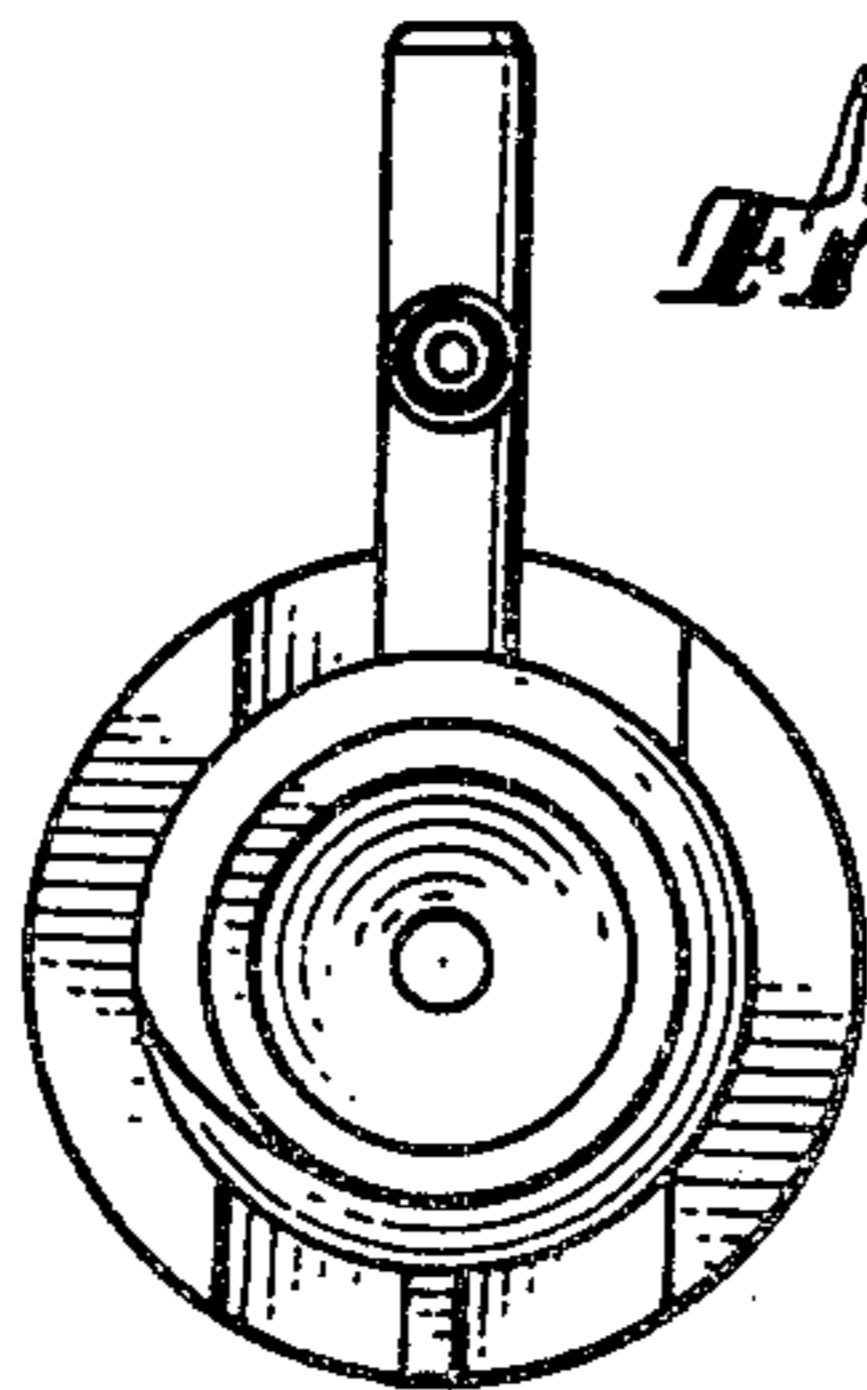


Fig. 5

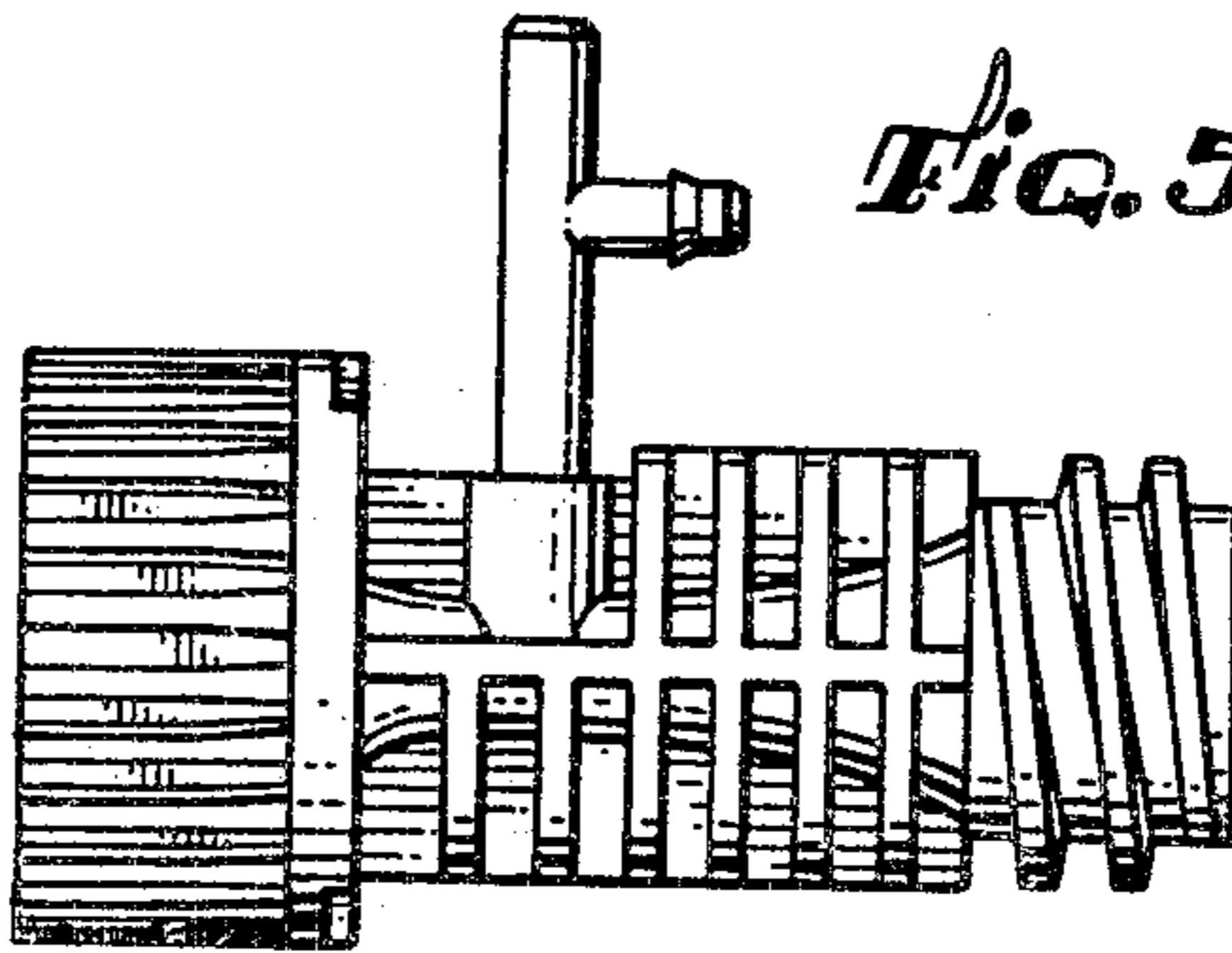


Fig. 6

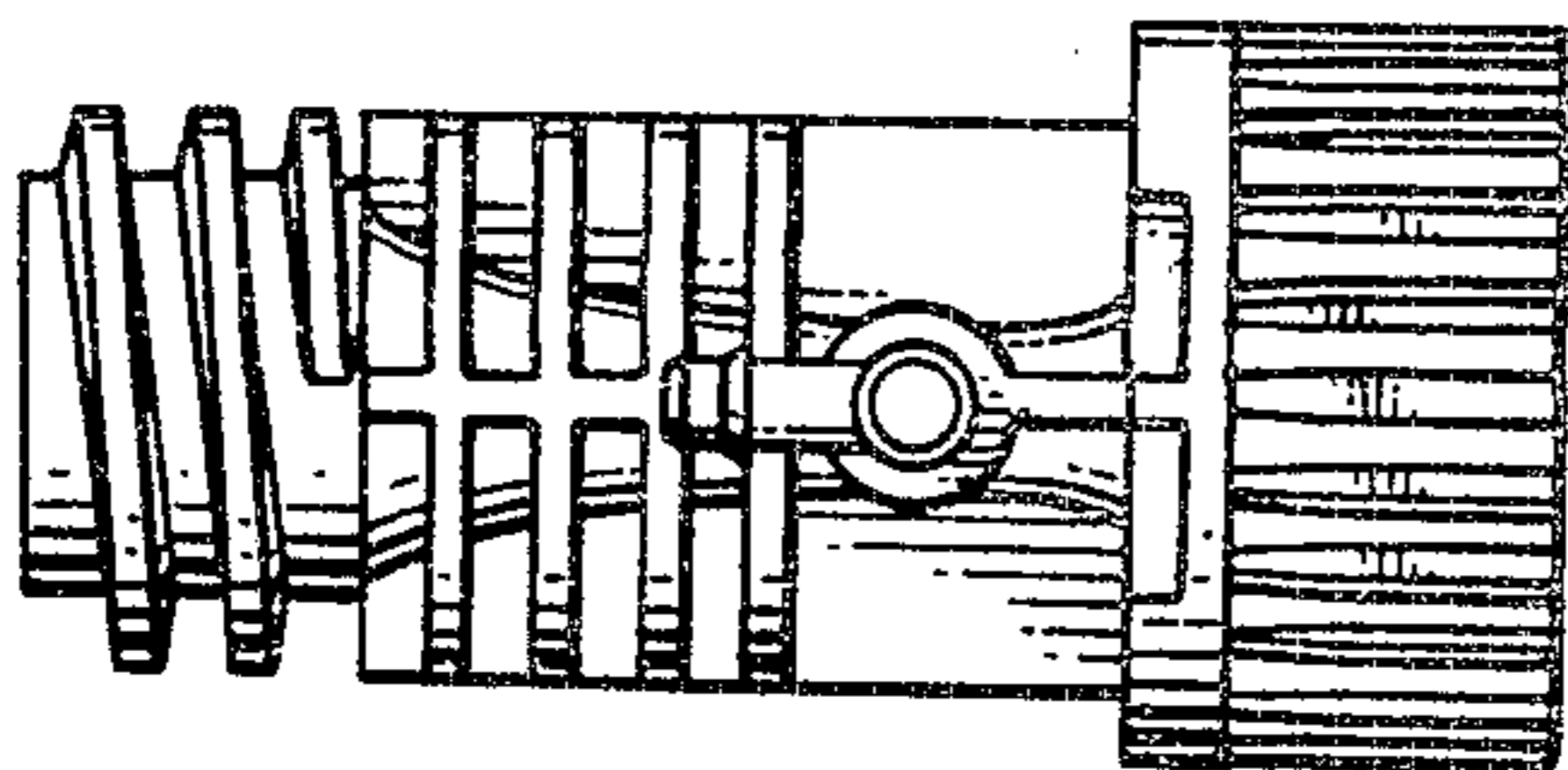


Fig. 7

