

[54] NEWSPAPER VENDING MACHINE

[75] Inventor: Jack S. Chalabian, Huntington Beach, Calif.

[73] Assignee: K-Jack Engineering Co., Inc., Gardena, Calif.

[**] Term: 14 Years

[21] Appl. No.: 587,215

[22] Filed: Mar. 7, 1984

[52] U.S. Cl. D20/6

[58] Field of Search D20/1-9; 194/1 G, 1 K, 10, 51, 59, 65; 221/1, 8, 39, 54, 110, 154-155, 213-216, 232, 241, 279; 248/127, 158; 312/215, 234, 254, 100

[56] References Cited

U.S. PATENT DOCUMENTS

- D. 231,015 3/1974 Chalabian D20/6
- D. 256,030 7/1980 Youngkin et al. D20/4
- D. 273,686 5/1984 Gore D20/6

- 3,302,830 2/1967 Huggins et al. 221/216
- 3,536,231 10/1970 Knickerbocker 221/155
- 4,418,836 12/1983 Christian 221/232 X

OTHER PUBLICATIONS

Berkley Small Catalog, p. 1 top, 6 box vending machine.

Primary Examiner—Bernard Ansher

Assistant Examiner—Linda Titolo

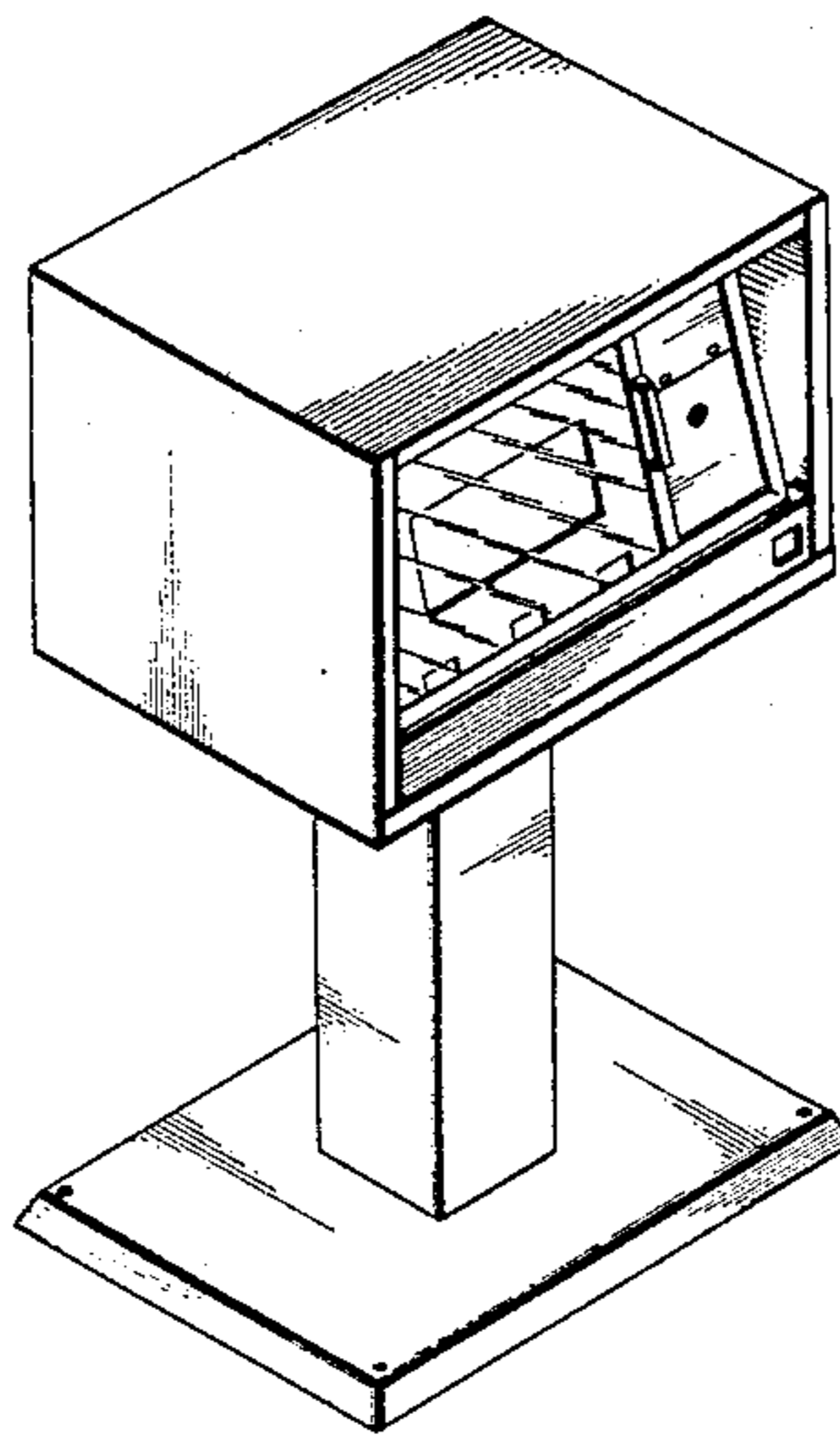
Attorney, Agent, or Firm—Beehler, Pavitt, Siegemund, Jagger & Martella

[57] CLAIM

The ornamental design for a newspaper vending machine, substantially as shown and described.

DESCRIPTION

FIG. 1 is a top front and left side perspective view of a newspaper vending machine, showing my new design; FIG. 2 is a front elevational view thereof; FIG. 3 is a side elevational view thereof, the opposite side being a mirror image thereof; FIG. 4 is a rear elevational view thereof; and FIG. 5 is a bottom plan view thereof.



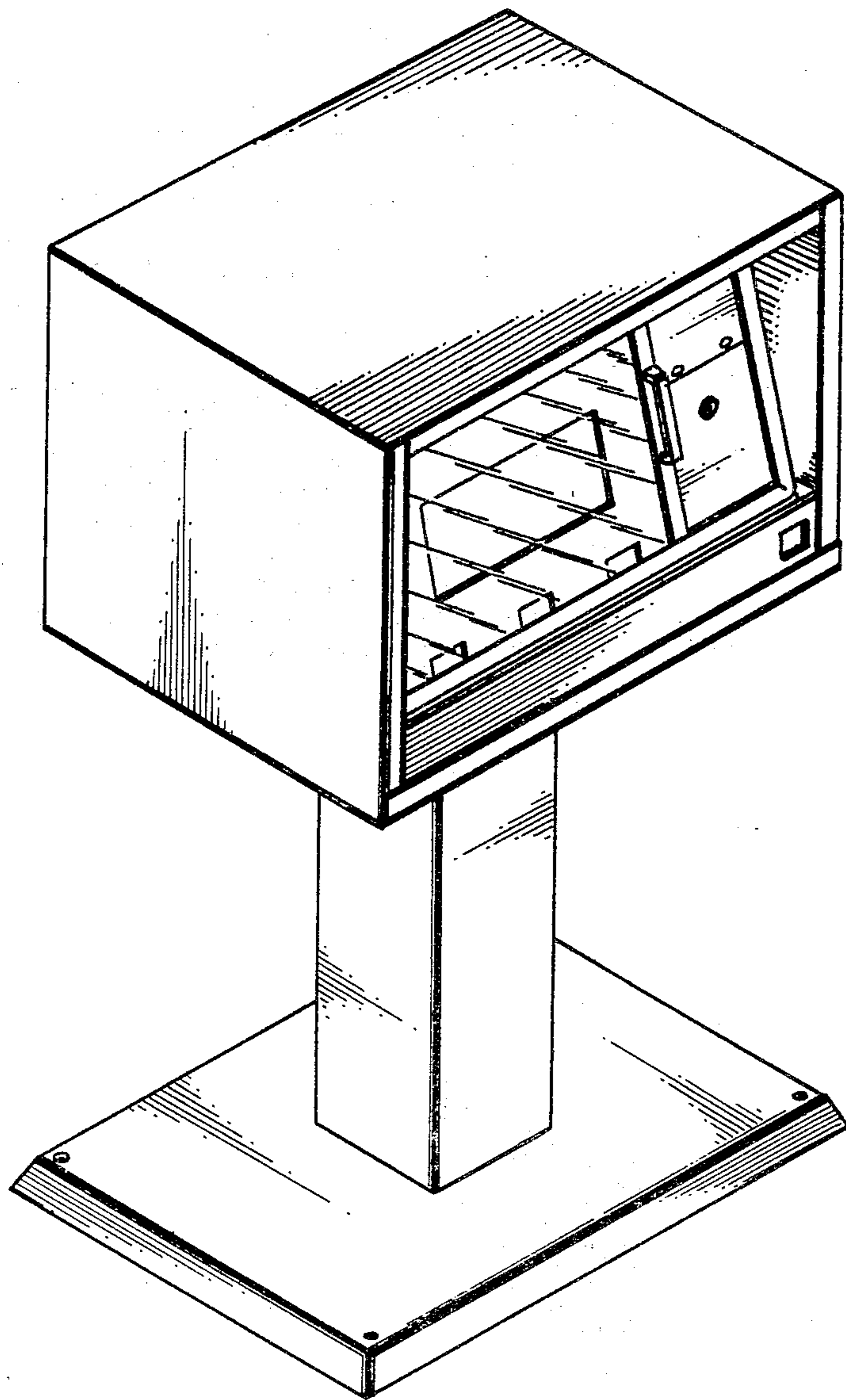


Fig. 1

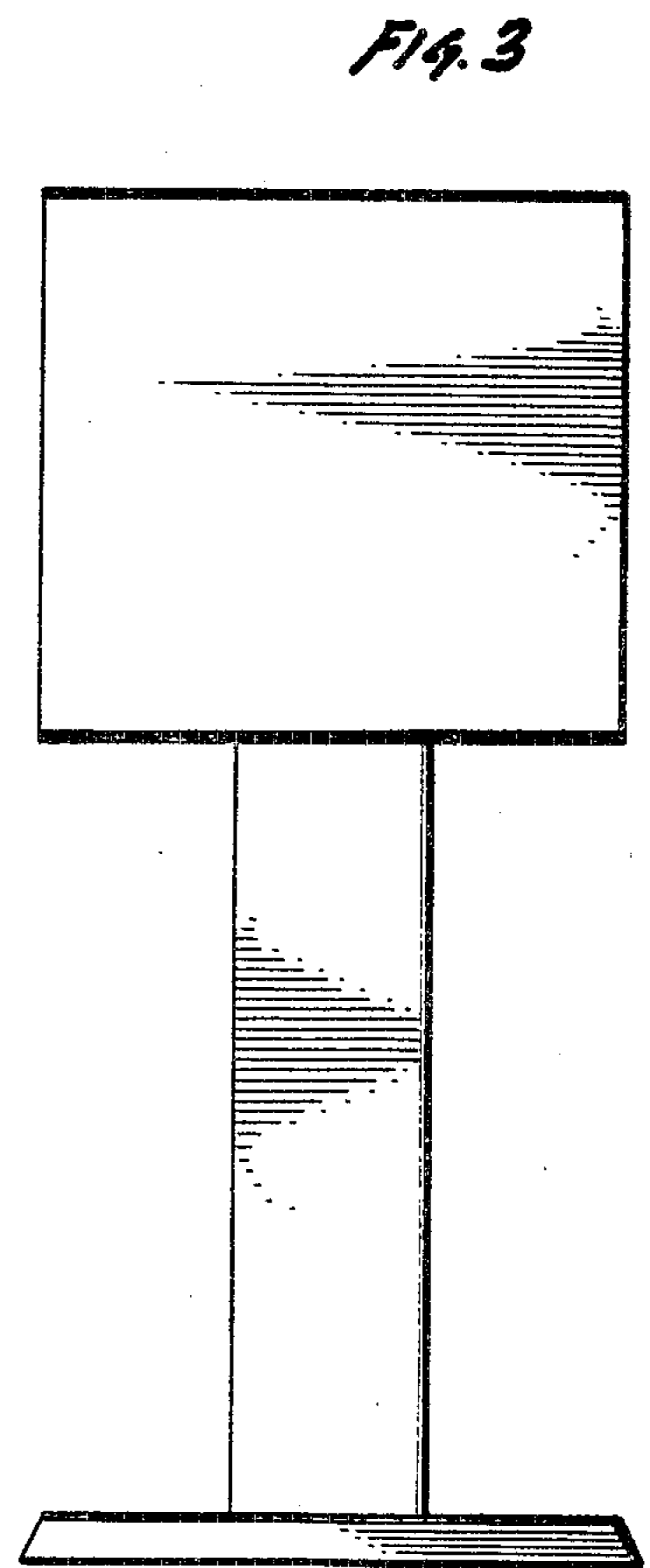


Fig. 3

Fig. 2

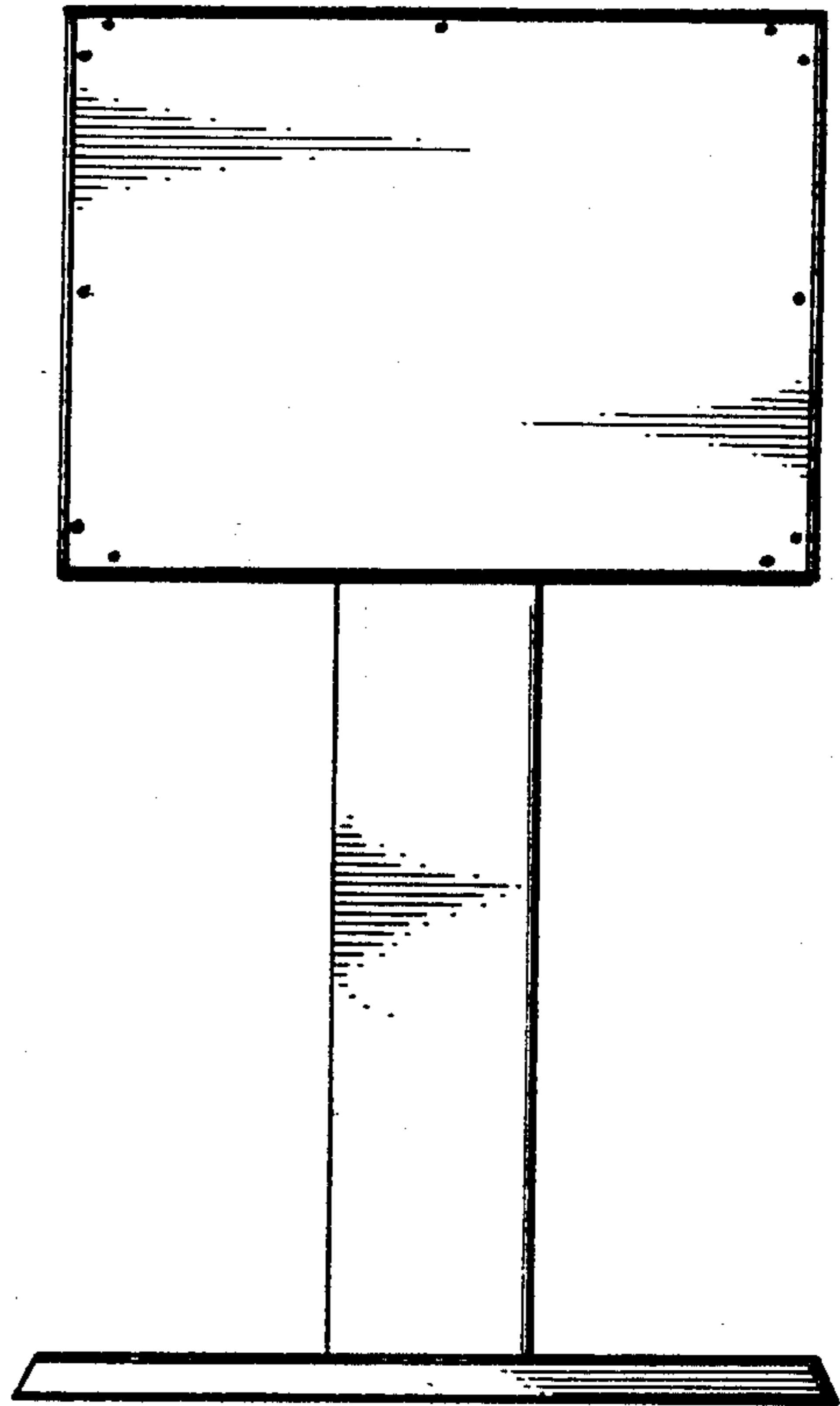
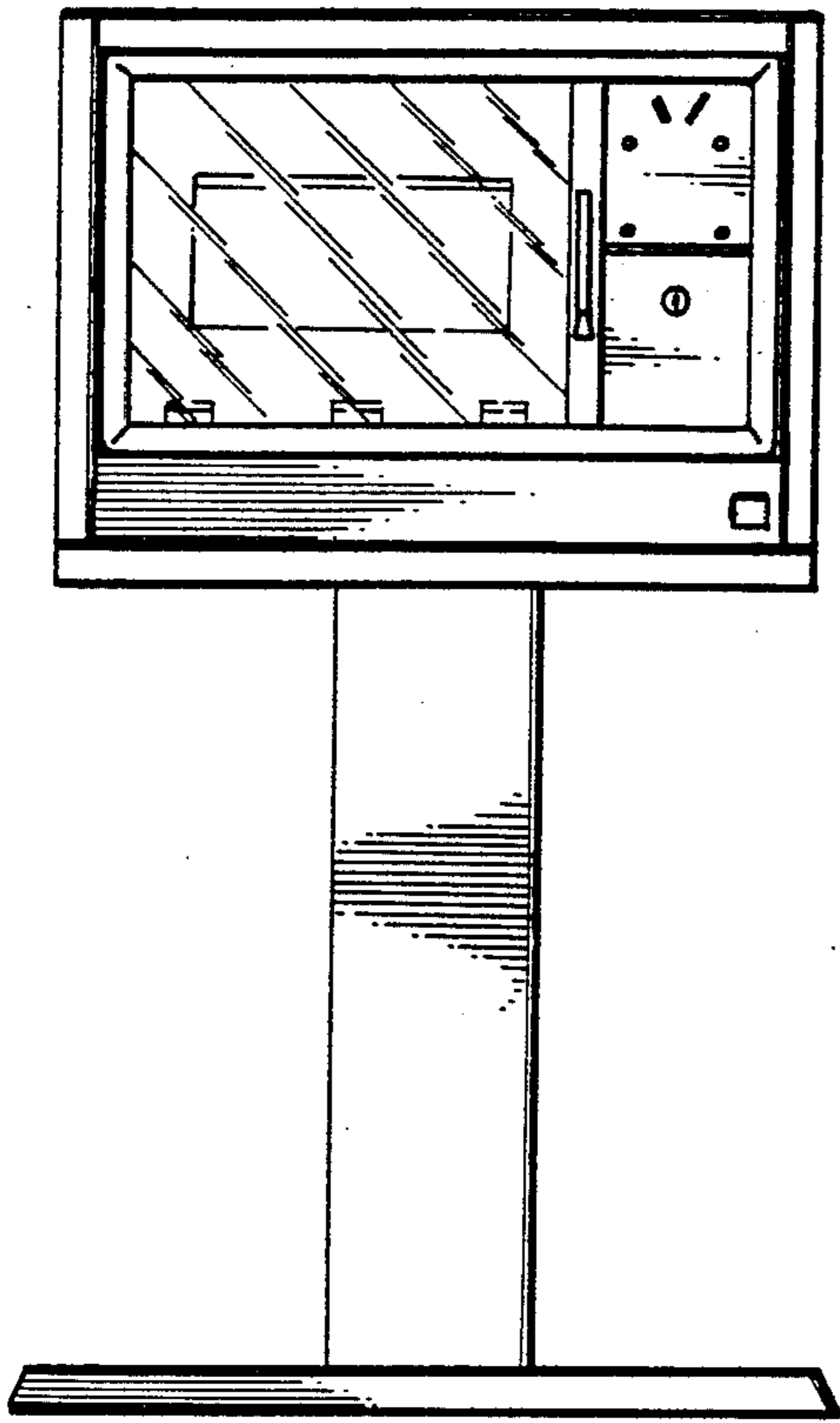


Fig. 4

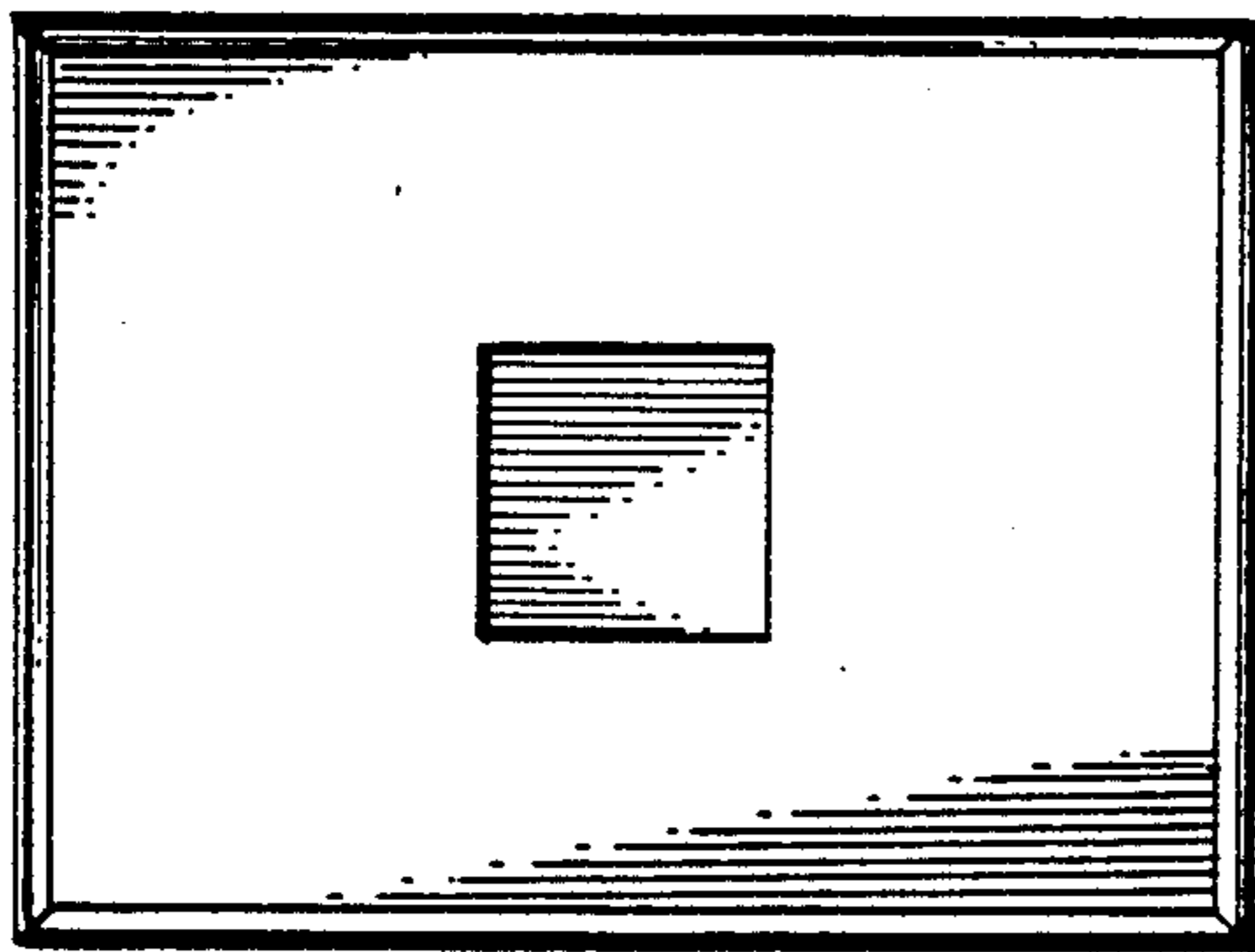


Fig. 5