

[54] DEMONSTRATOR FOR INDICATING THE EFFECT OF ADDITIVE IN ENGINE OIL AND THE LIKE

[75] Inventor: Clinton H. Morey, Mesa, Ariz.

[73] Assignee: Dolores E. Stead, Federal Way, Wash.

[\*\*] Term: 14 Years

[21] Appl. No.: 605,066

[22] Filed: Apr. 30, 1984

[52] U.S. Cl. .... D19/62

[58] Field of Search ..... D19/59, 60, 62, 63, D19/64; 434/401, 370, 388

[56] References Cited

U.S. PATENT DOCUMENTS

- D. 254,793 4/1980 Morey ..... D19/62
- D. 270,073 8/1983 Morey ..... D19/62

- 3,172,666 3/1965 Ryan ..... 434/401
- 3,193,293 7/1965 Schaper ..... 434/401 X

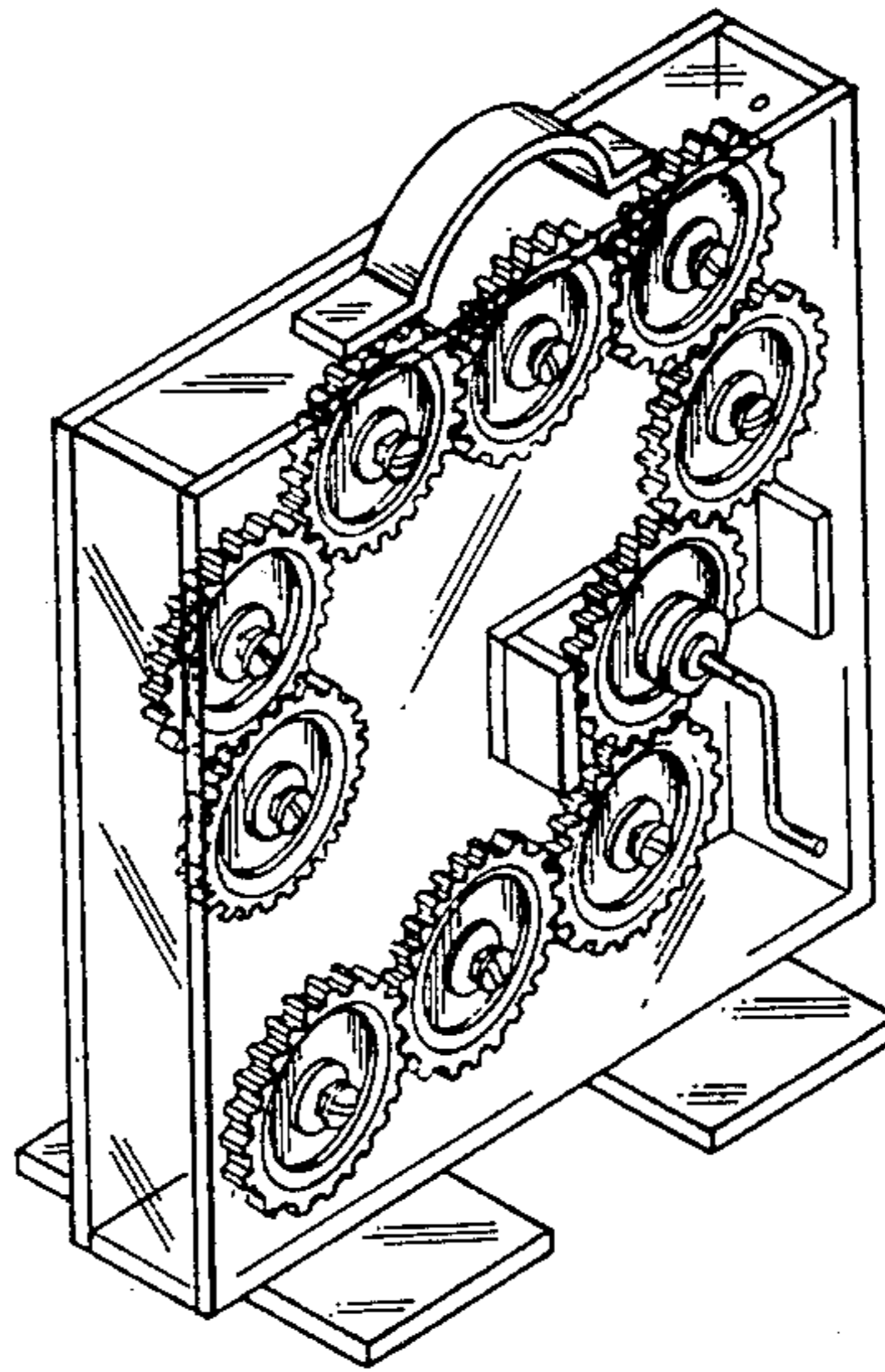
Primary Examiner—Bernard Ansher  
Assistant Examiner—Theodore M. Shooman  
Attorney, Agent, or Firm—Graybeal & Cullom

[57] CLAIM

The ornamental design for demonstrator for indicating the effect of additive in engine oil and the like, substantially as shown.

DESCRIPTION

FIG. 1 is an isometric view from an upper aspect of a demonstrator for indicating the effect of additive in engine oil and the like, showing my new design; FIG. 2 is a rear elevational view thereof; FIG. 3 is a top plan view thereof; FIG. 4 is a bottom plan view thereof; FIG. 5 is a left side elevational view thereof; and FIG. 6 is a right side elevational view thereof.



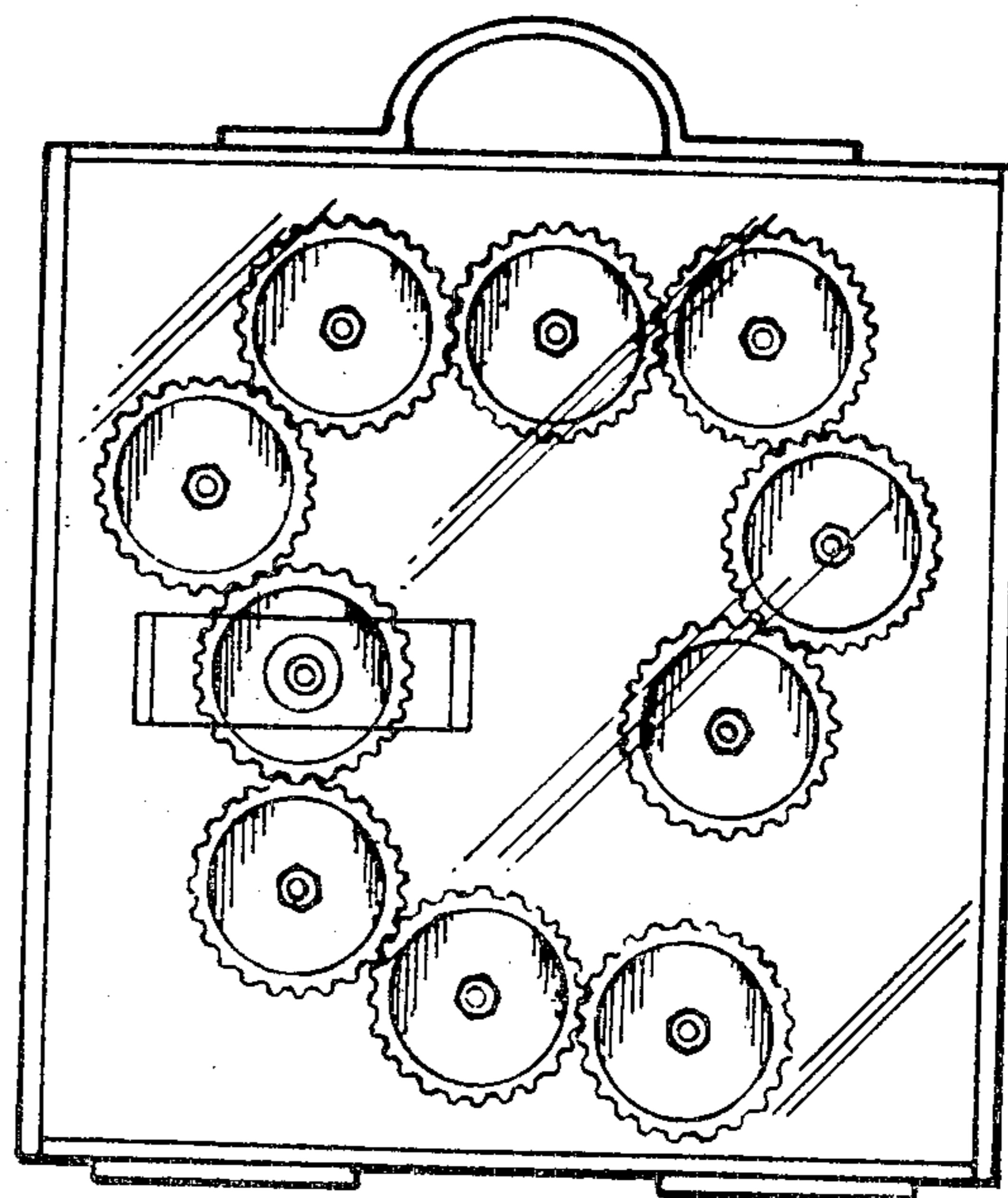
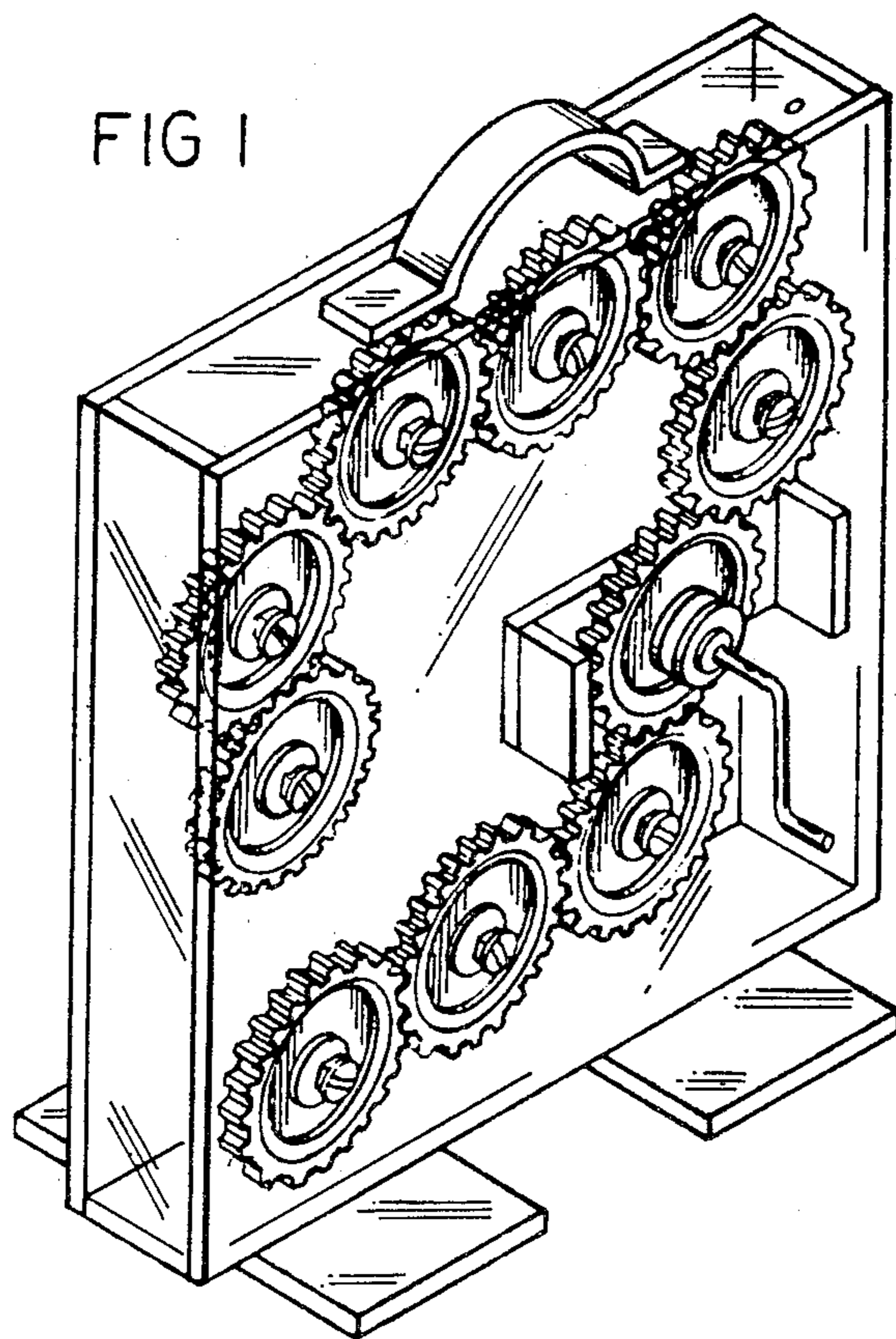


FIG 2

FIG 3

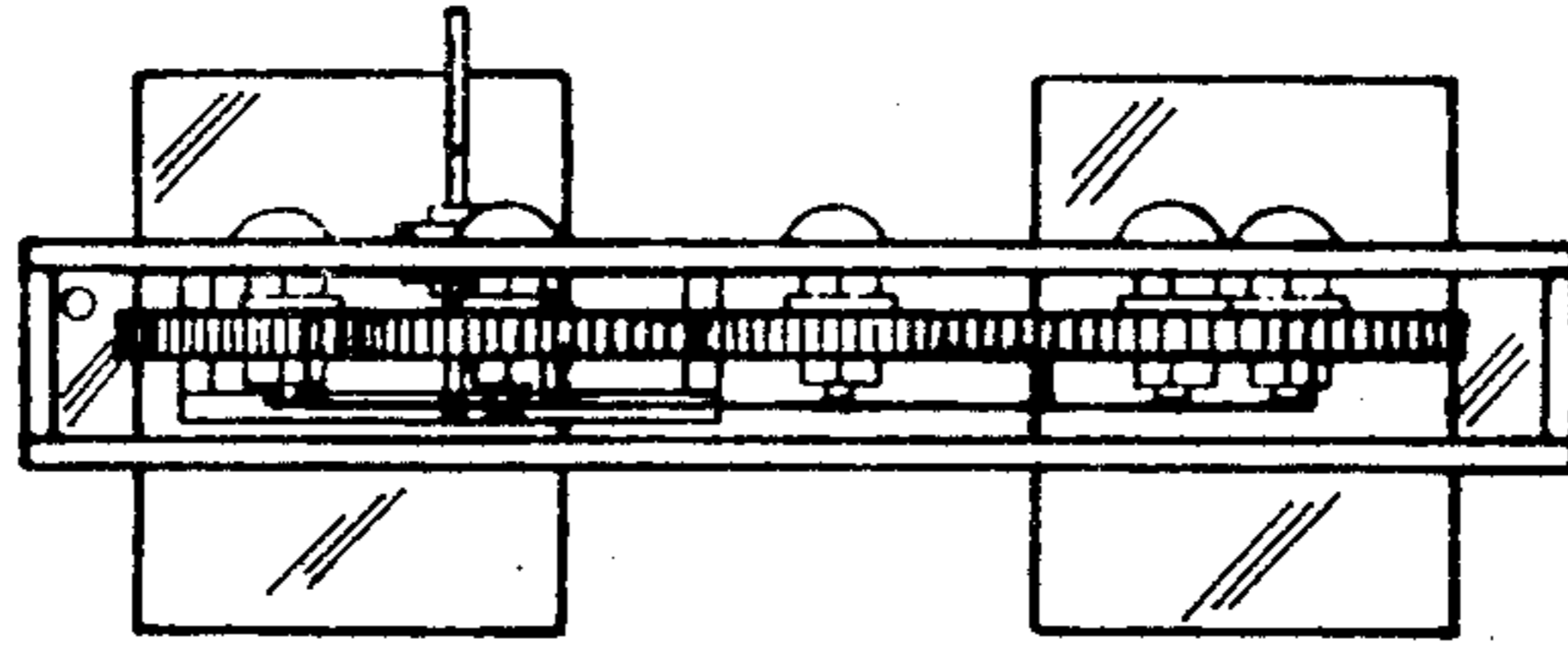


FIG 4

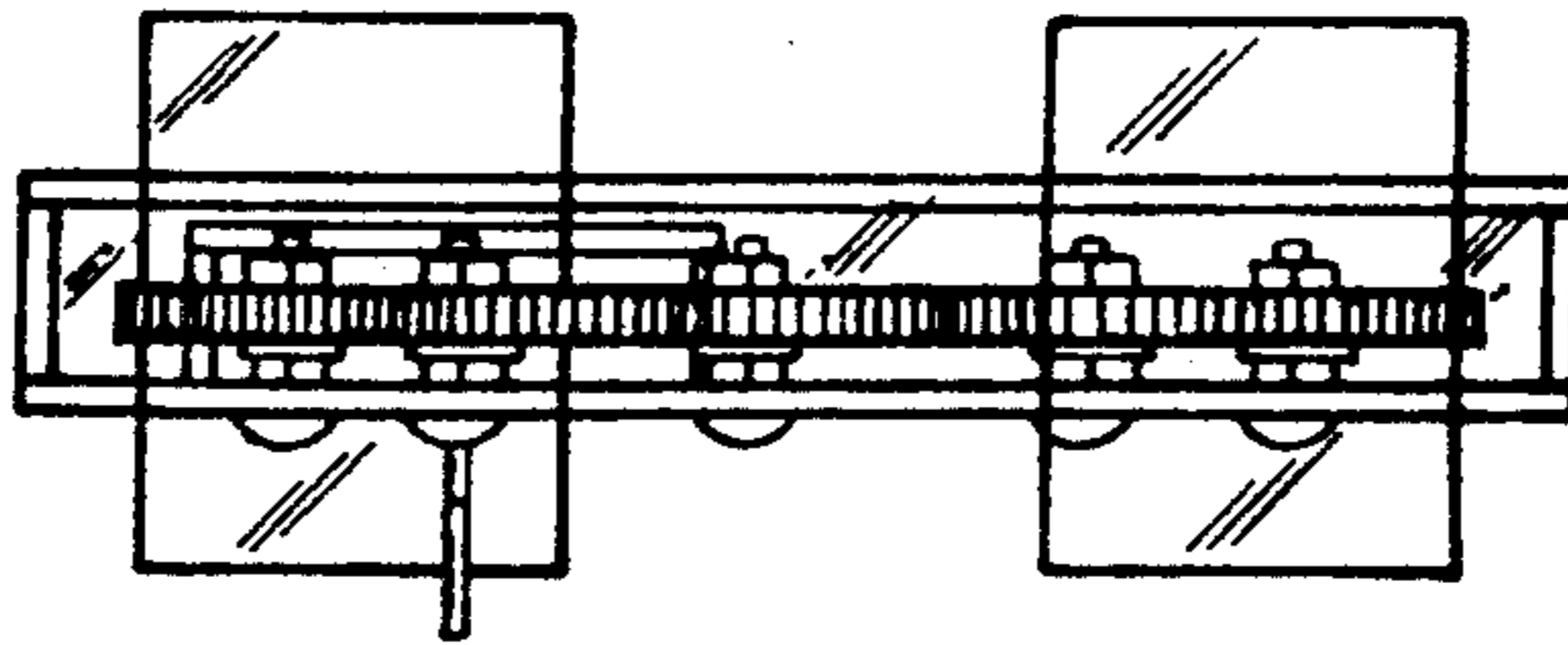


FIG 5

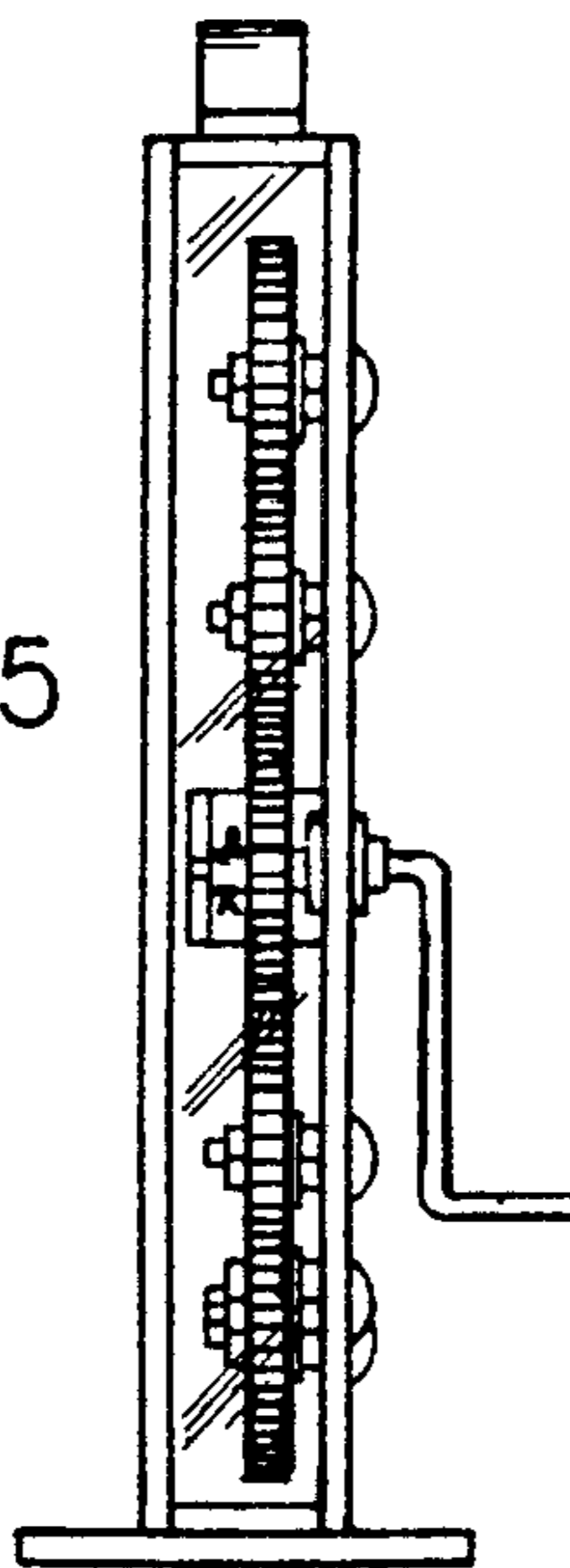


FIG 6

