

[54] TEETH MODEL

[75] Inventors: Michael Craft, Cambridge; Peter C. Hemming, Northampton, both of England

[73] Assignee: Health Education Council, London, England

[**] Term: 14 Years

[21] Appl. No.: 556,857

[22] Filed: Dec. 1, 1983

[30] Foreign Application Priority Data

Apr. 23, 1983 [GB] United Kingdom 1012667
[52] U.S. Cl. D19/62
[58] Field of Search D19/62, 59, 64; D24/10, D24/16, 99; 434/263, 264; 433/171, 213

[56] References Cited

U.S. PATENT DOCUMENTS

Table with 4 columns: Patent No., Date, Inventor, and Patent No. (right side). Rows include Bryant, Chayes, Mink, and Schulz et al.

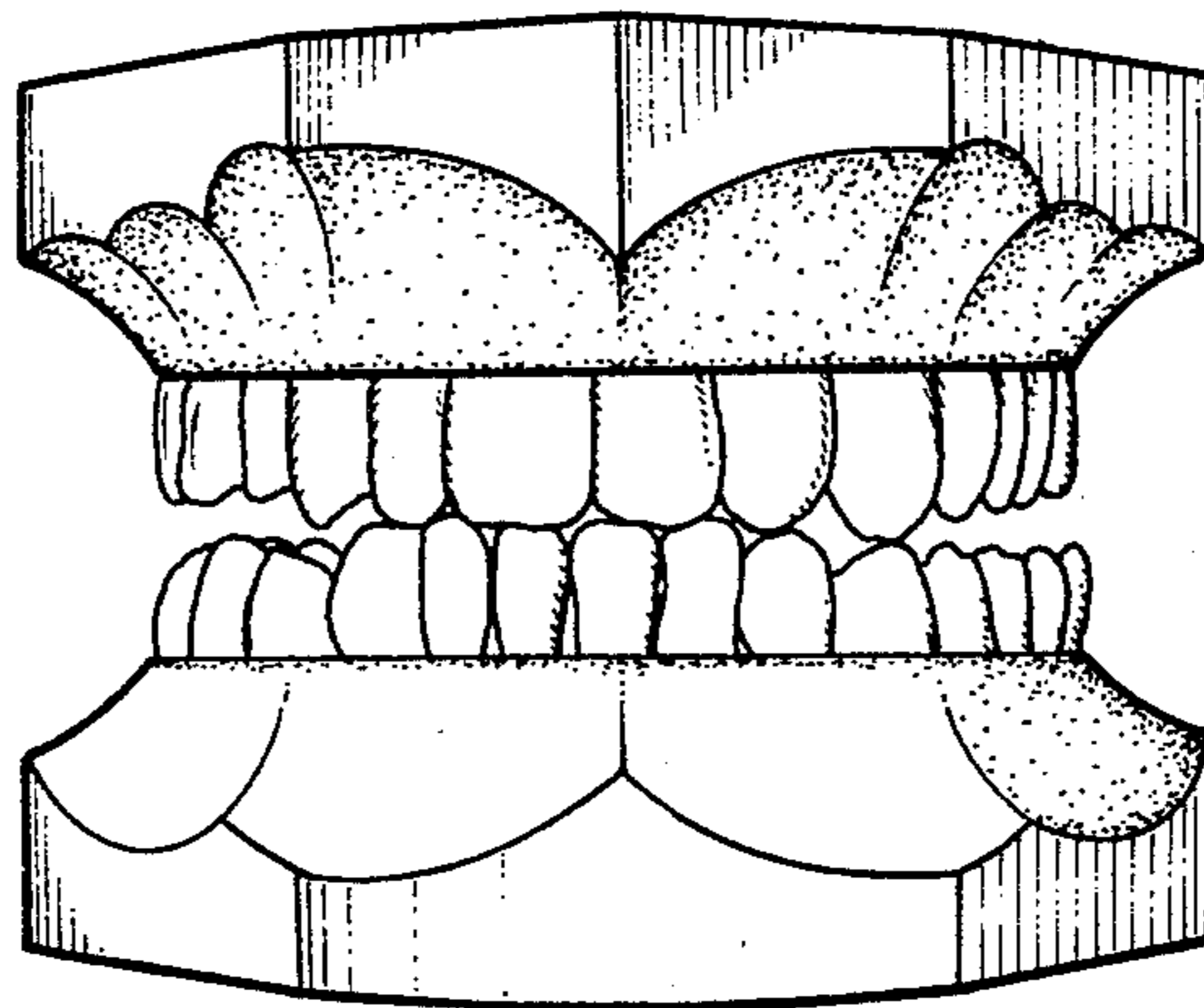
Primary Examiner—Bernard Ansher
Assistant Examiner—Theodore M. Shooman
Attorney, Agent, or Firm—Gifford, Groh, VanOphem, Sheridan, Sprinkle & Dolgorukov

[57] CLAIM

The ornamental design for a teeth model, as shown and described.

DESCRIPTION

FIG. 1 is a front elevational view of the teeth model showing our new design;
FIG. 2 is a side elevational view thereof, the opposite side elevational view being a mirror image;
FIG. 3 is a rear elevational view thereof;
FIG. 4 is a top plan view thereof; and
FIG. 5 is a bottom plan view thereof.



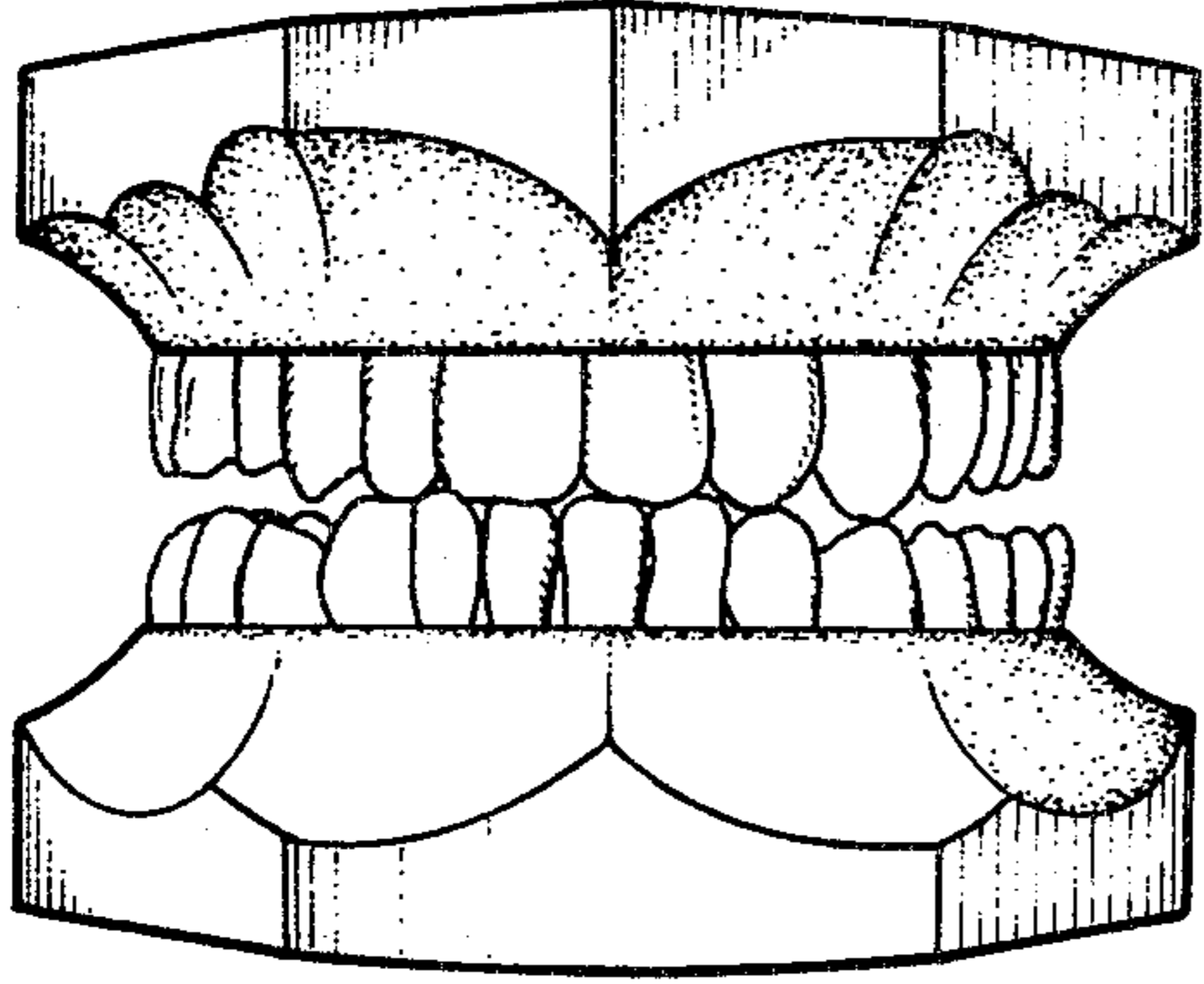


Fig-1

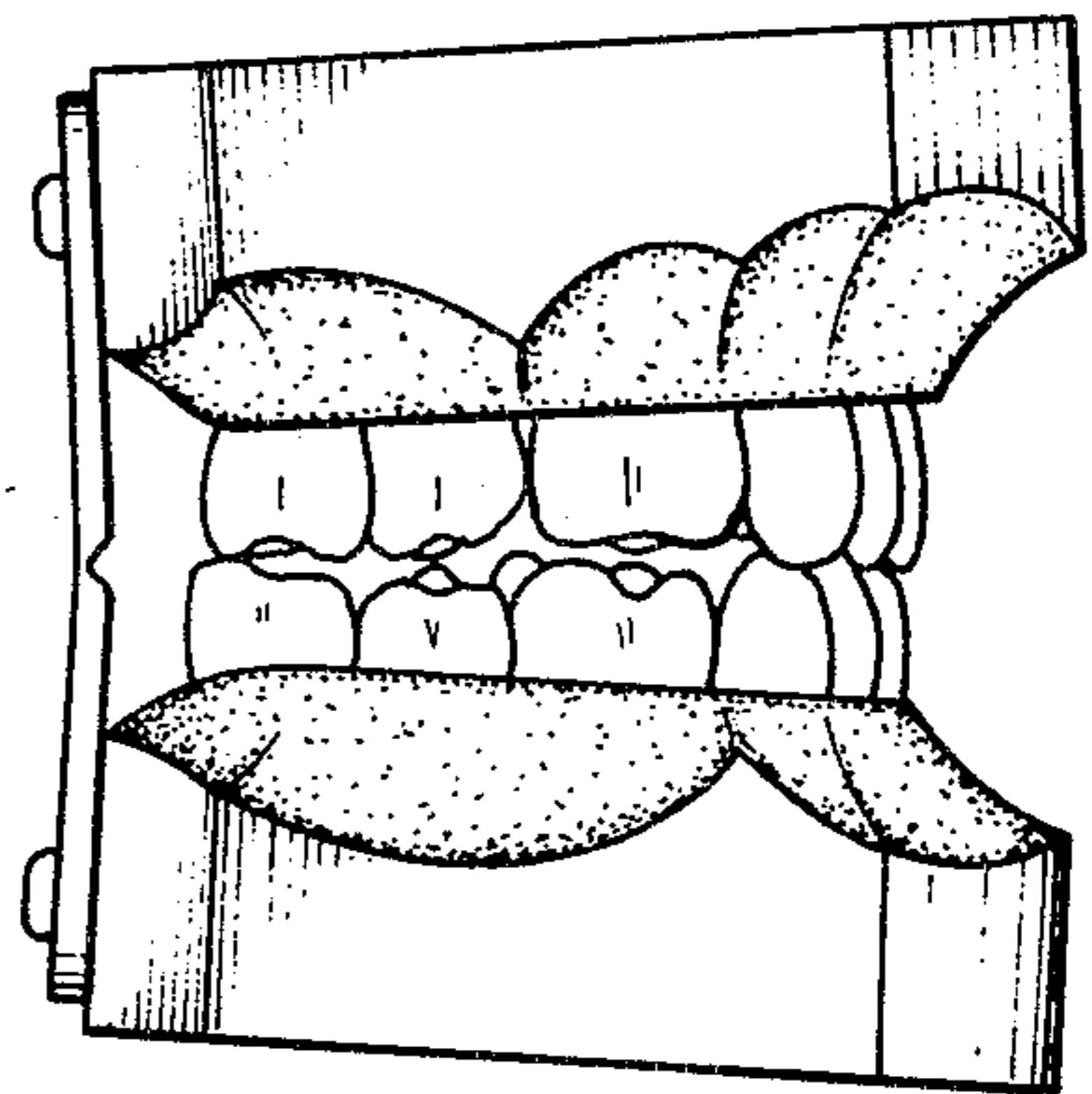


Fig-2

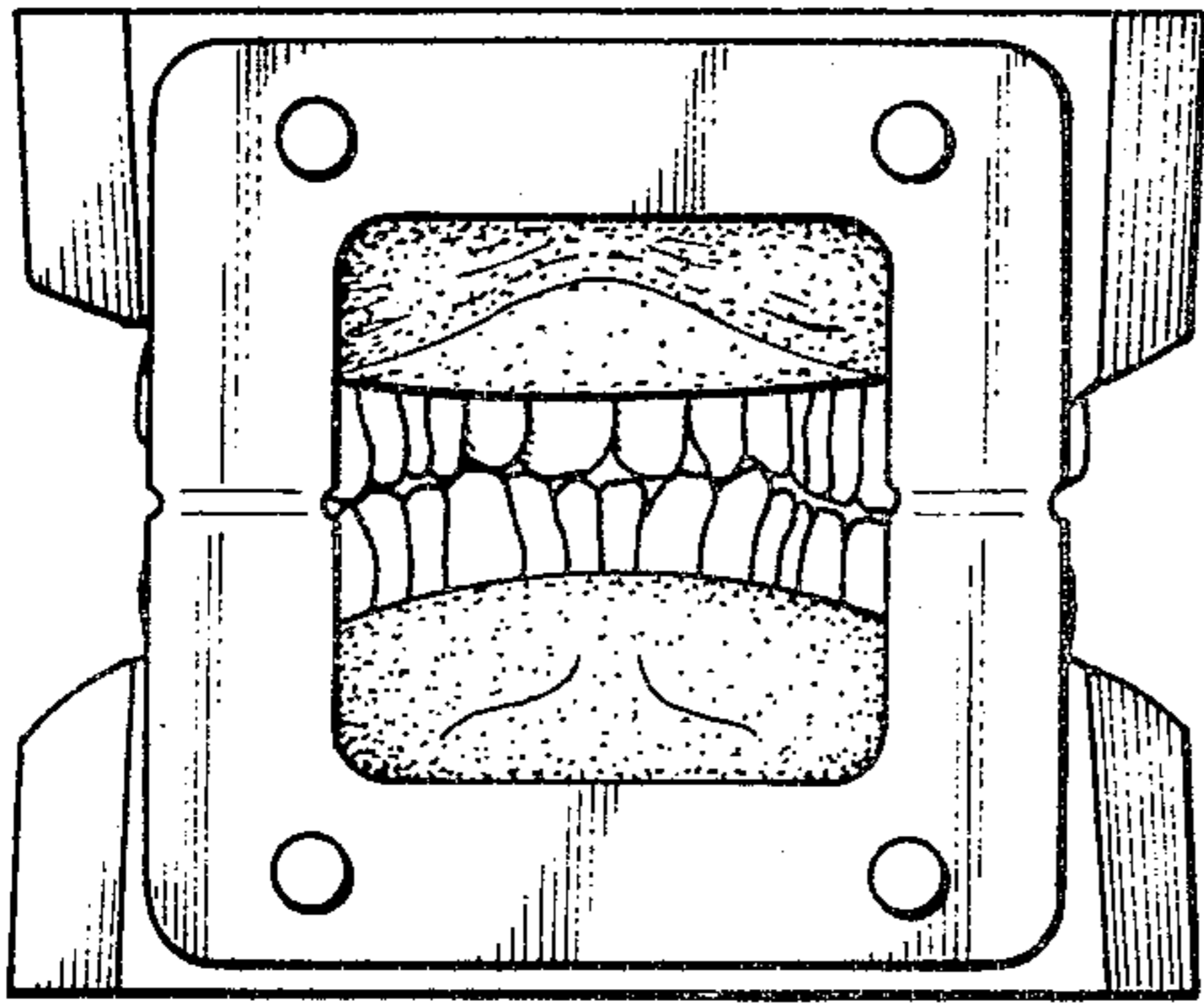


Fig-3

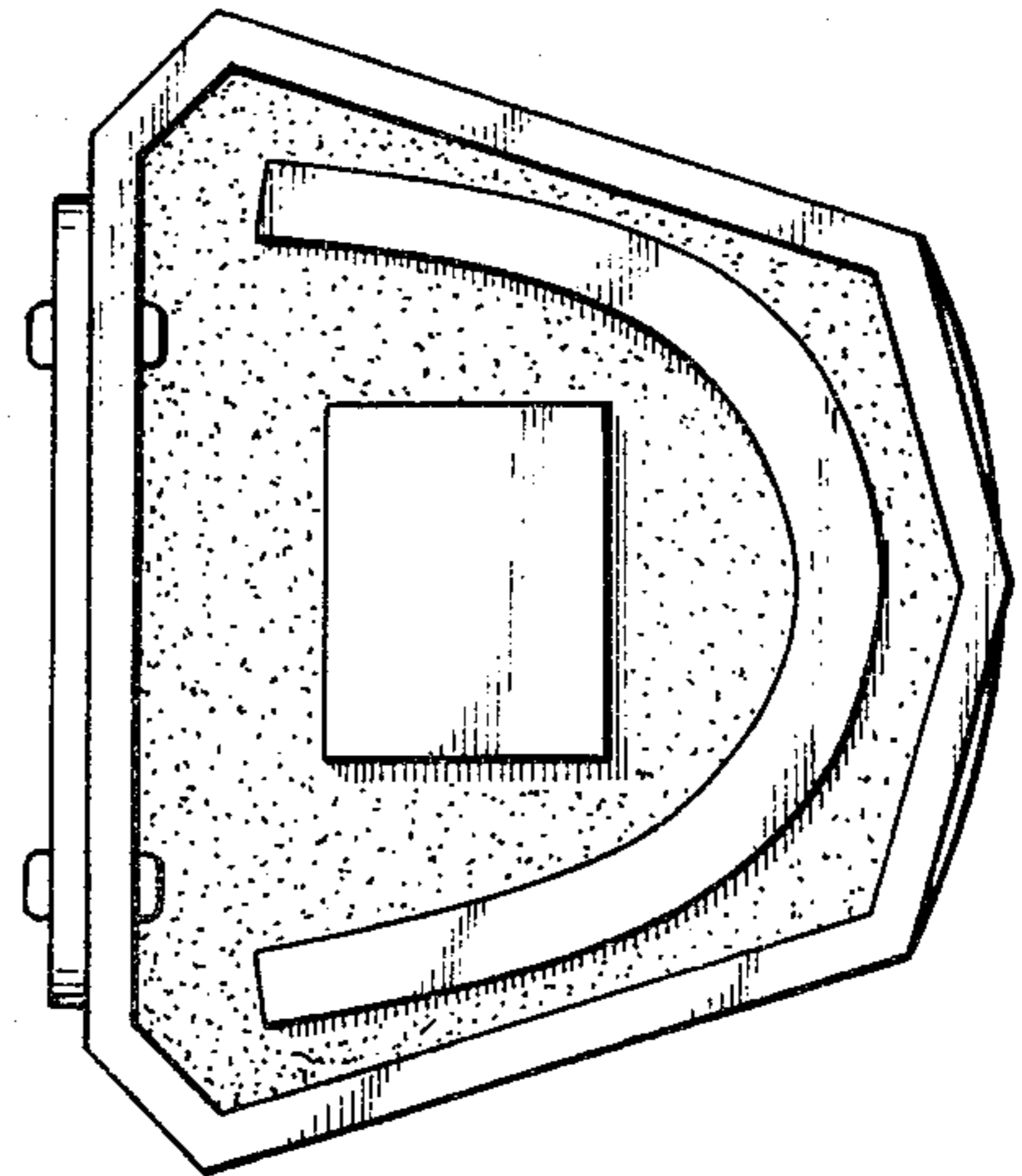


Fig-4

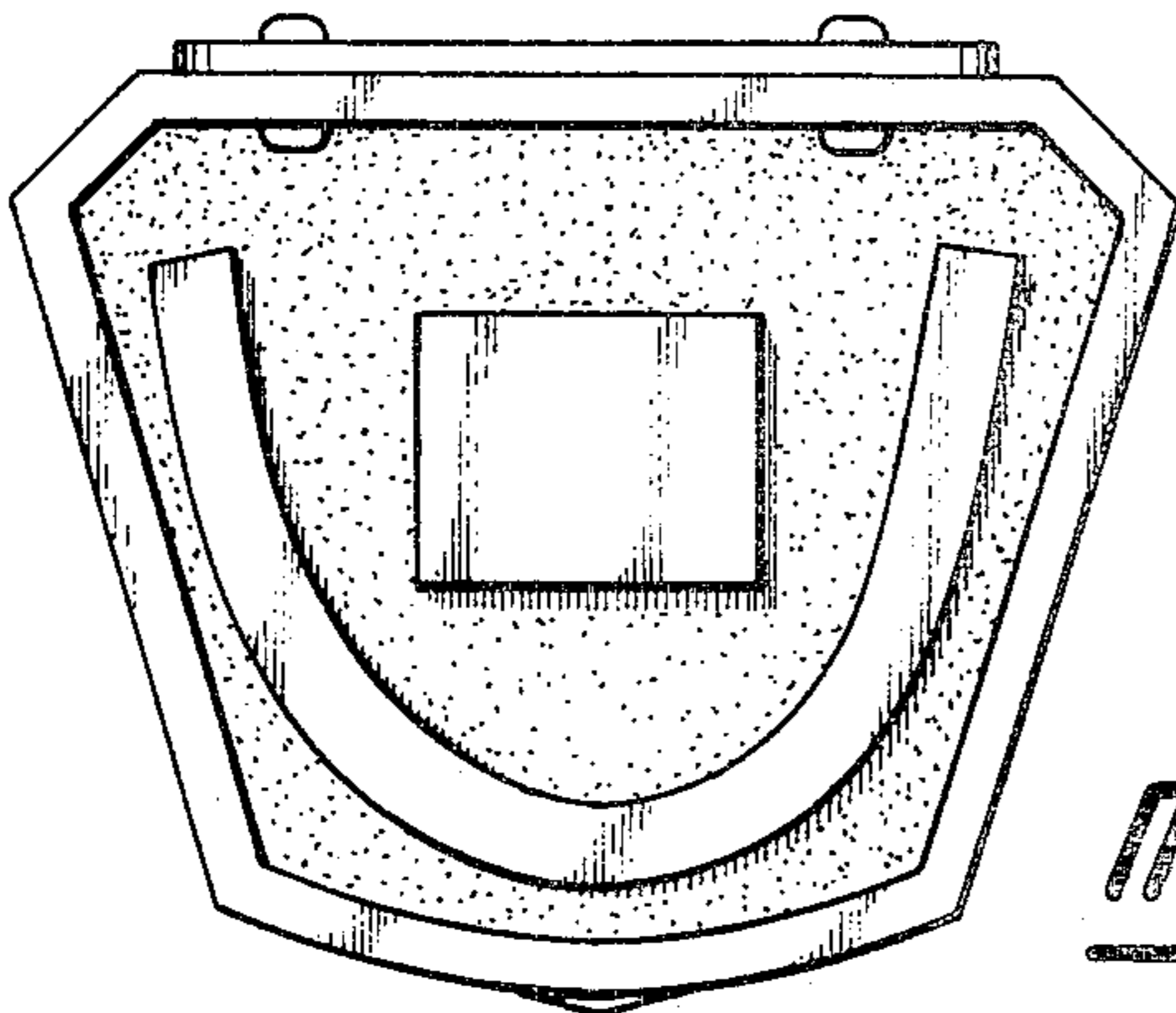


Fig-5