

[54] **PRINTING RIBBON CASSETTE**

[75] **Inventor: Toshio Yamamoto, Kanagawa, Japan**

[73] **Assignee: Ricoh Company, Ltd., Japan**

[**] **Term: 14 Years**

[21] **Appl. No.: 656,868**

[22] **Filed: Oct. 2, 1984**

[30] **Foreign Application Priority Data**

Apr. 3, 1984 [JP] Japan 59-013019
[52] **U.S. Cl. D18/22**
[58] **Field of Search D18/1, 2, 11, 12, 22;**
D14/11, 114; 400/144.2, 144.3, 175, 196, 196.1,
207, 208, 208.1; 242/55.19 A, 197-200

[56] **References Cited**

U.S. PATENT DOCUMENTS

D. 250,613 12/1978 Goodman et al. D18/12
D. 281,330 11/1985 Kando D18/12
4,010,839 3/1977 Guerrini et al. 400/208 X

Primary Examiner—Louis S. Zarfes
Attorney, Agent, or Firm—Guy W. Shoup

[57] **CLAIM**

The ornamental design for printing ribbon cassette, as shown.

DESCRIPTION

FIG. 1 is a front right perspective view of a printing ribbon cassette showing my new design;
FIG. 2 is a front elevational view;
FIG. 3 is a top plan view;
FIG. 4 is a right side elevational view;
FIG. 5 is a left side elevational view;
FIG. 6 is a bottom plan view;
FIG. 7 is a rear elevational view; and
FIG. 8 is a rear left perspective view.

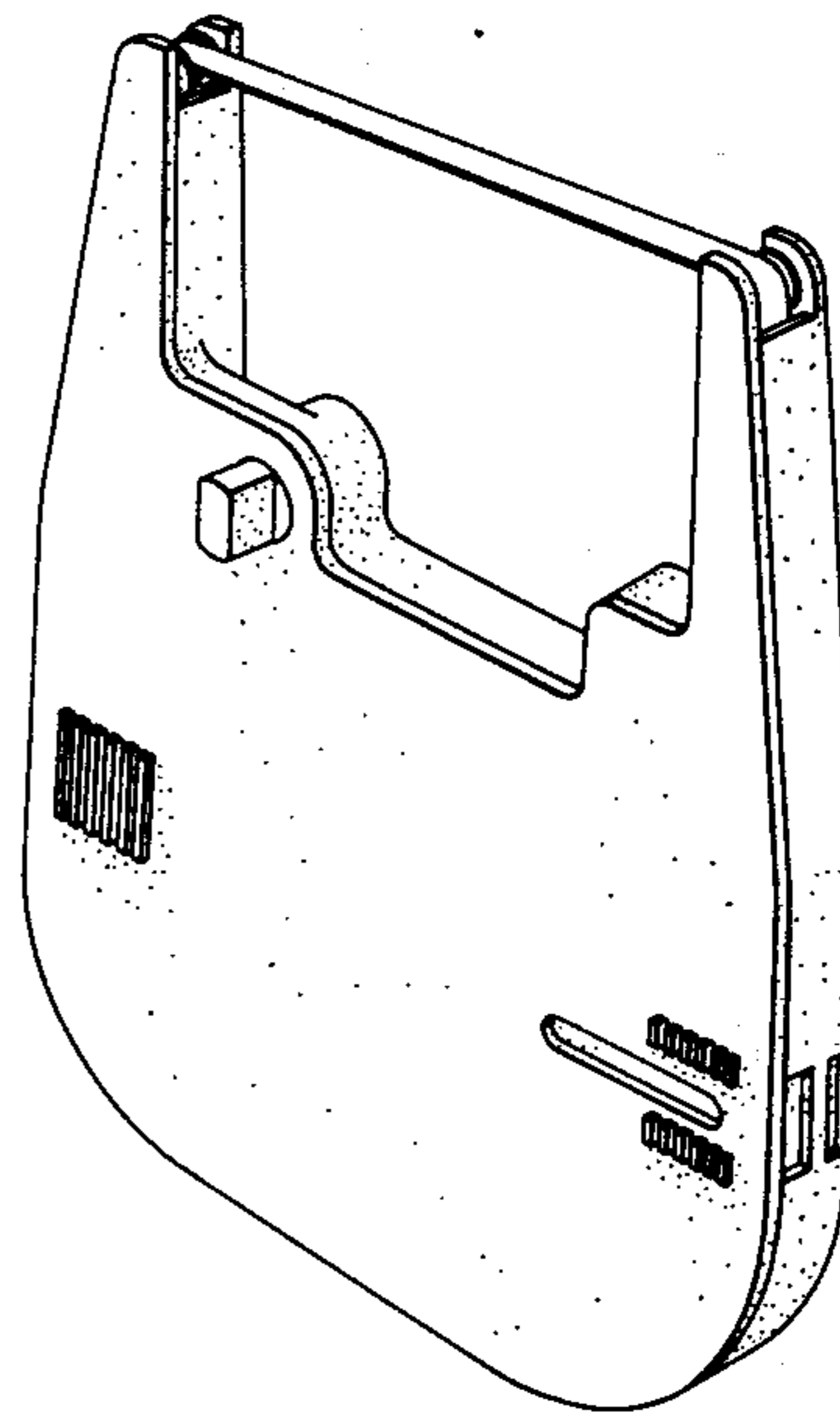
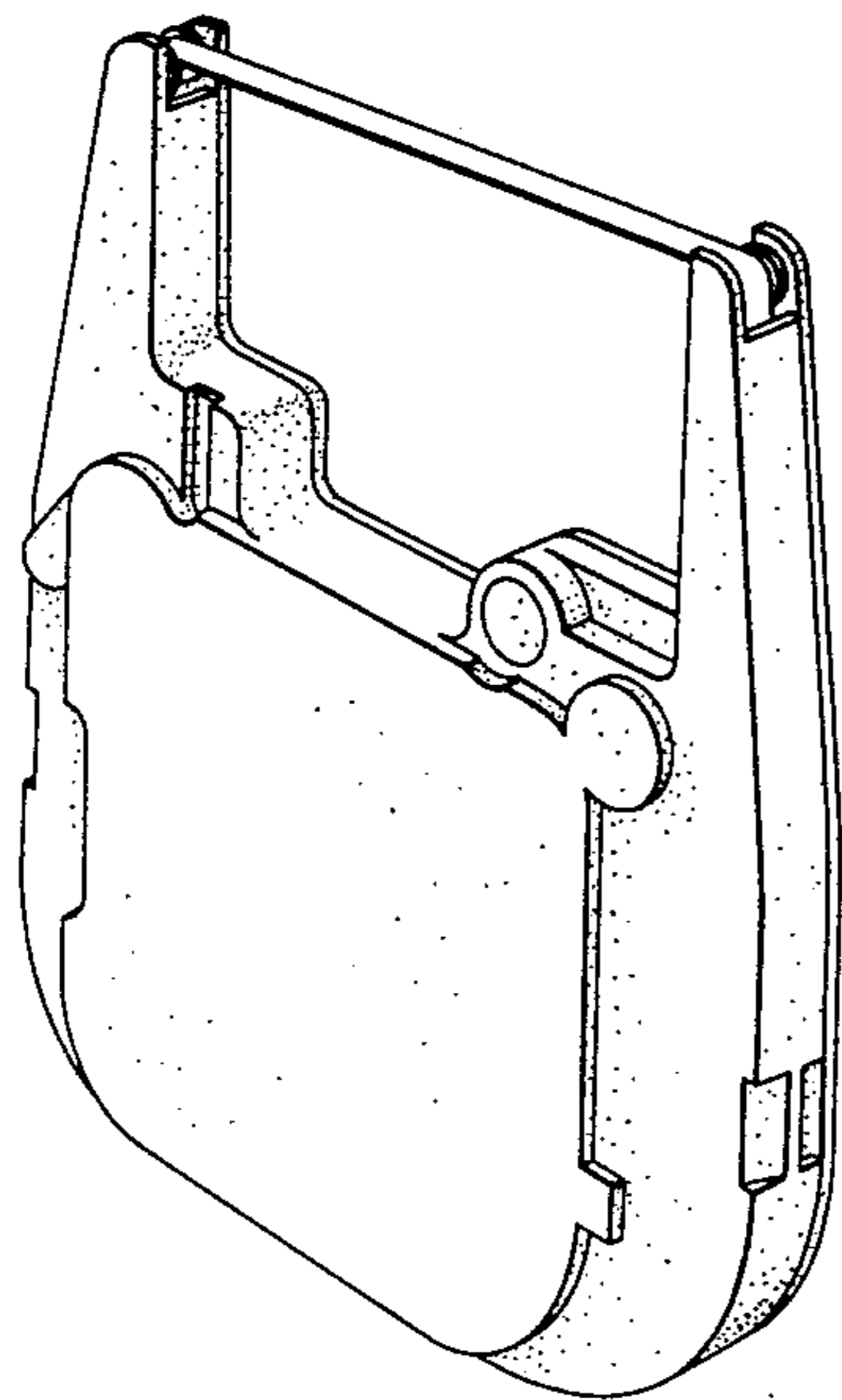


FIG. 1

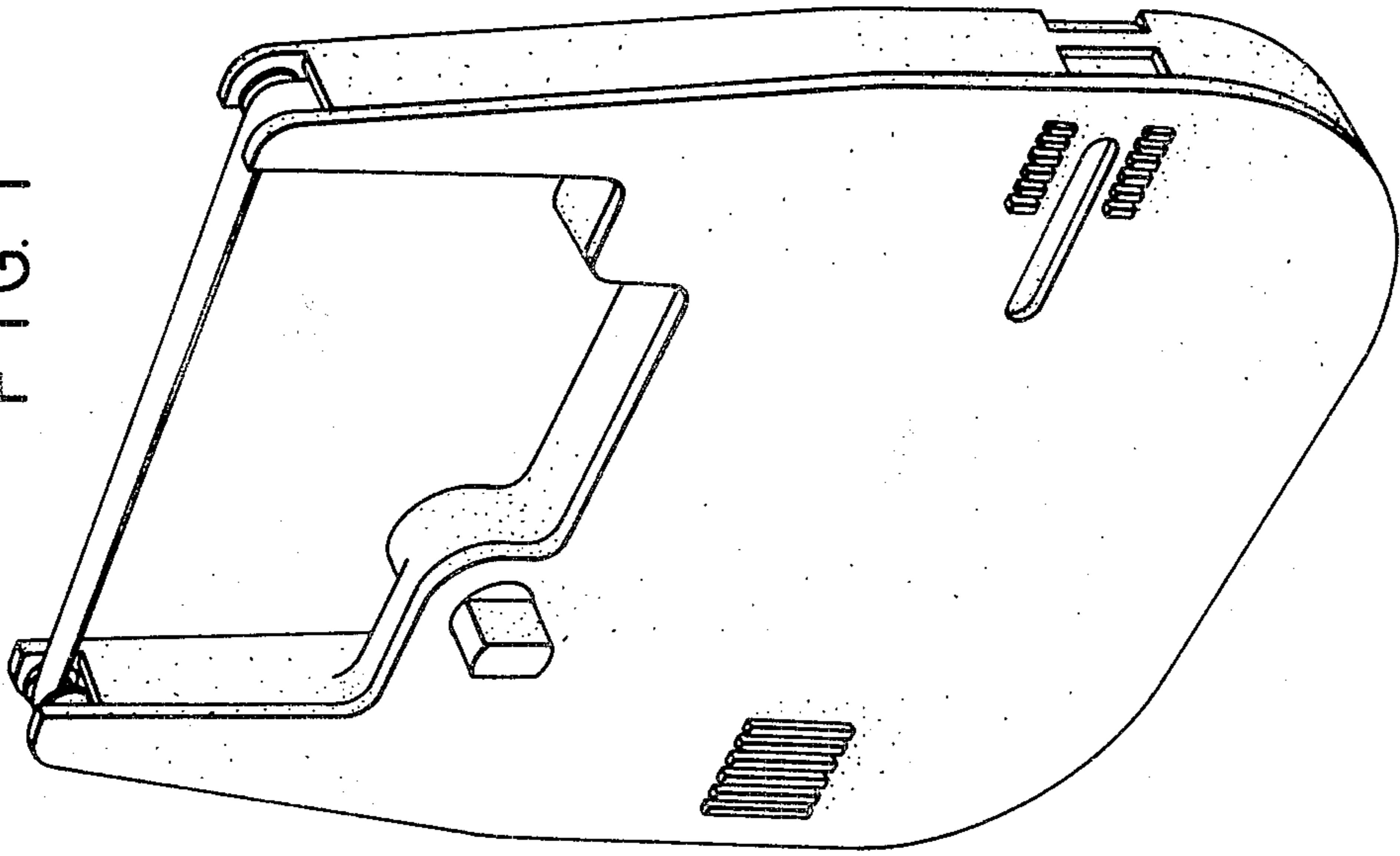


FIG. 2

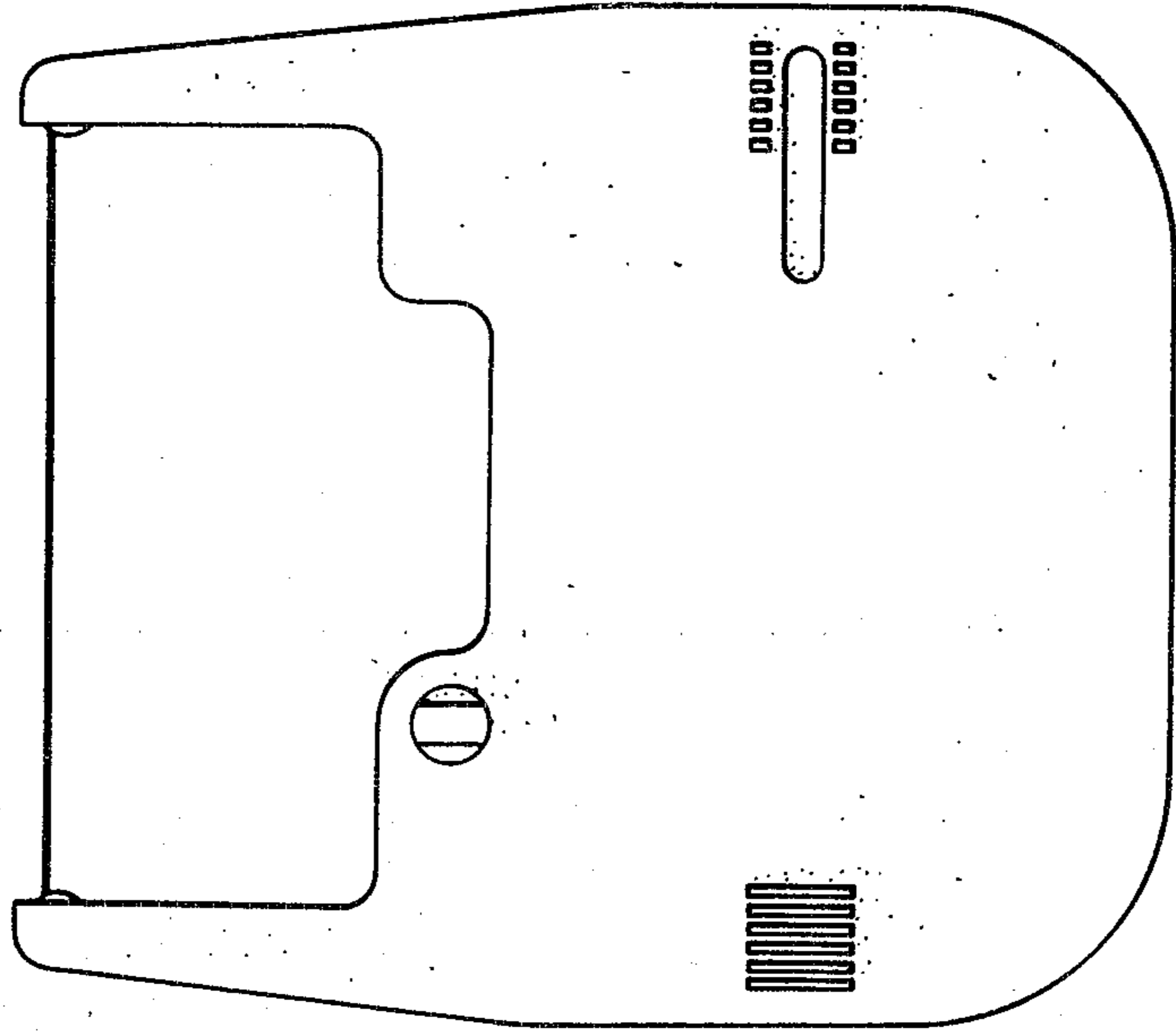


FIG. 3

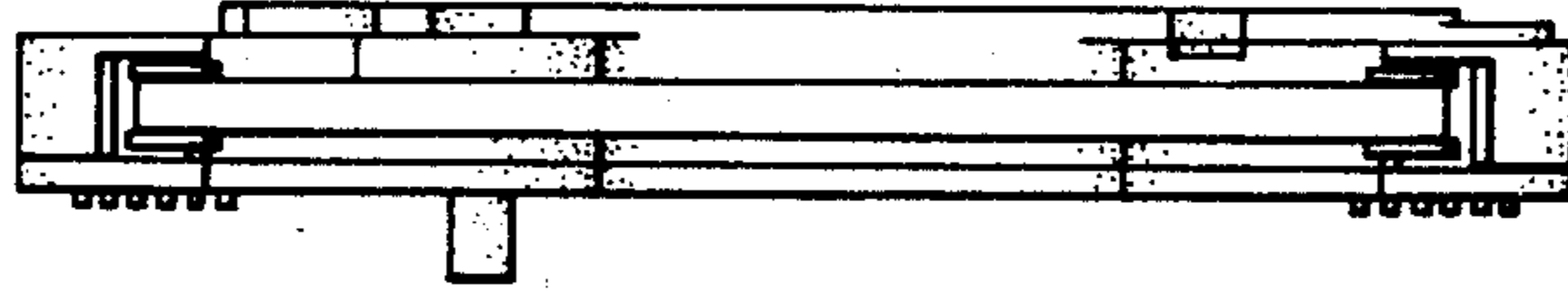


FIG. 4



FIG. 5

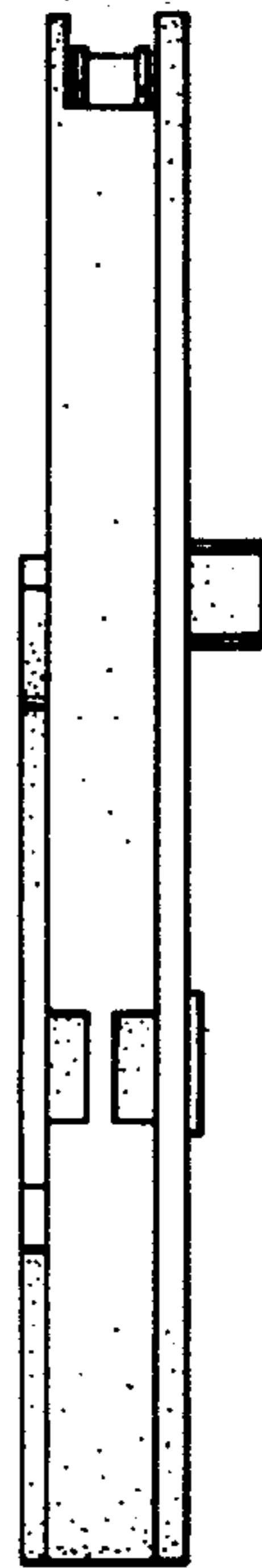


FIG. 6

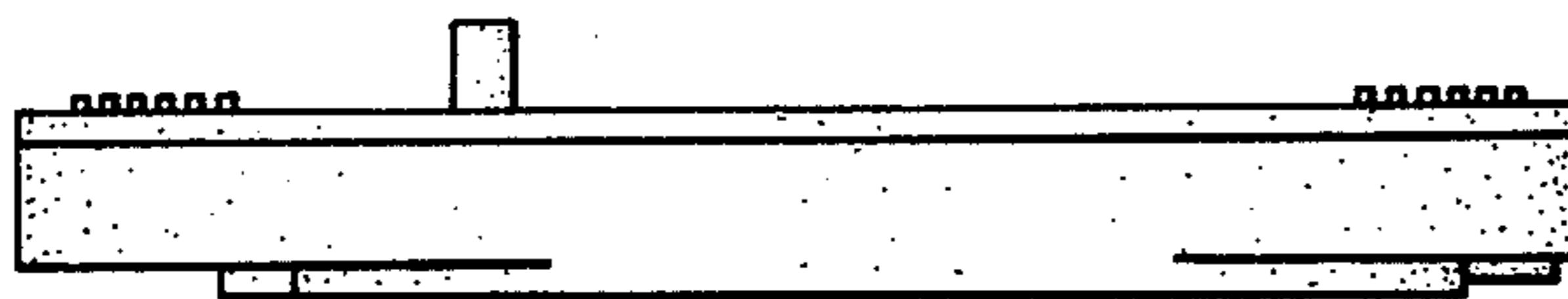


FIG. 8

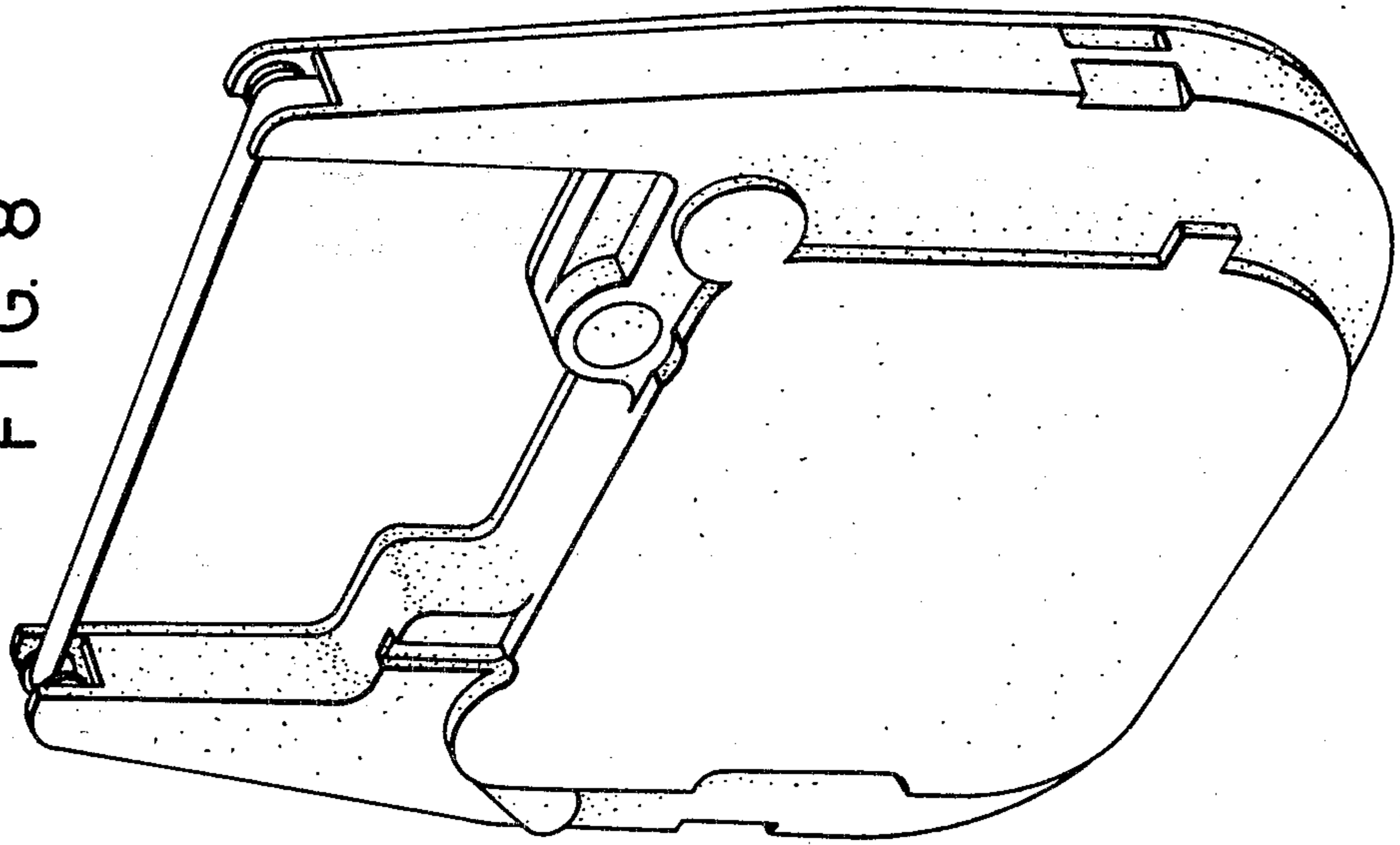


FIG. 7

