

[54] SEWING MACHINE

4,314,517 2/1982 Kasahara et al. 112/260
4,418,630 12/1983 Graham 112/261

[75] Inventors: Masamitsu Shibuya; Masaaki Tsukiji,
both of Hachioji, Japan

OTHER PUBLICATIONS

Design, 12/1977, p. 30, Pfaff Sewing Machine, lower
right of page.

[73] Assignee: Tokyo Juki Industrial Co., Ltd.,
Tokyo, Japan

Primary Examiner—Bernard Ansher
Assistant Examiner—Linda Titolo
Attorney, Agent, or Firm—Abelman Frayne Rezac &
Schwab

[**] Term: 14 Years

[21] Appl. No.: 556,798

[22] Filed: Dec. 1, 1983

[57] CLAIM

The ornamental design for a sewing machine, as shown.

[30] Foreign Application Priority Data

Jun. 16, 1983 [JP] Japan 58-026047

DESCRIPTION

[52] U.S. Cl. D15/69

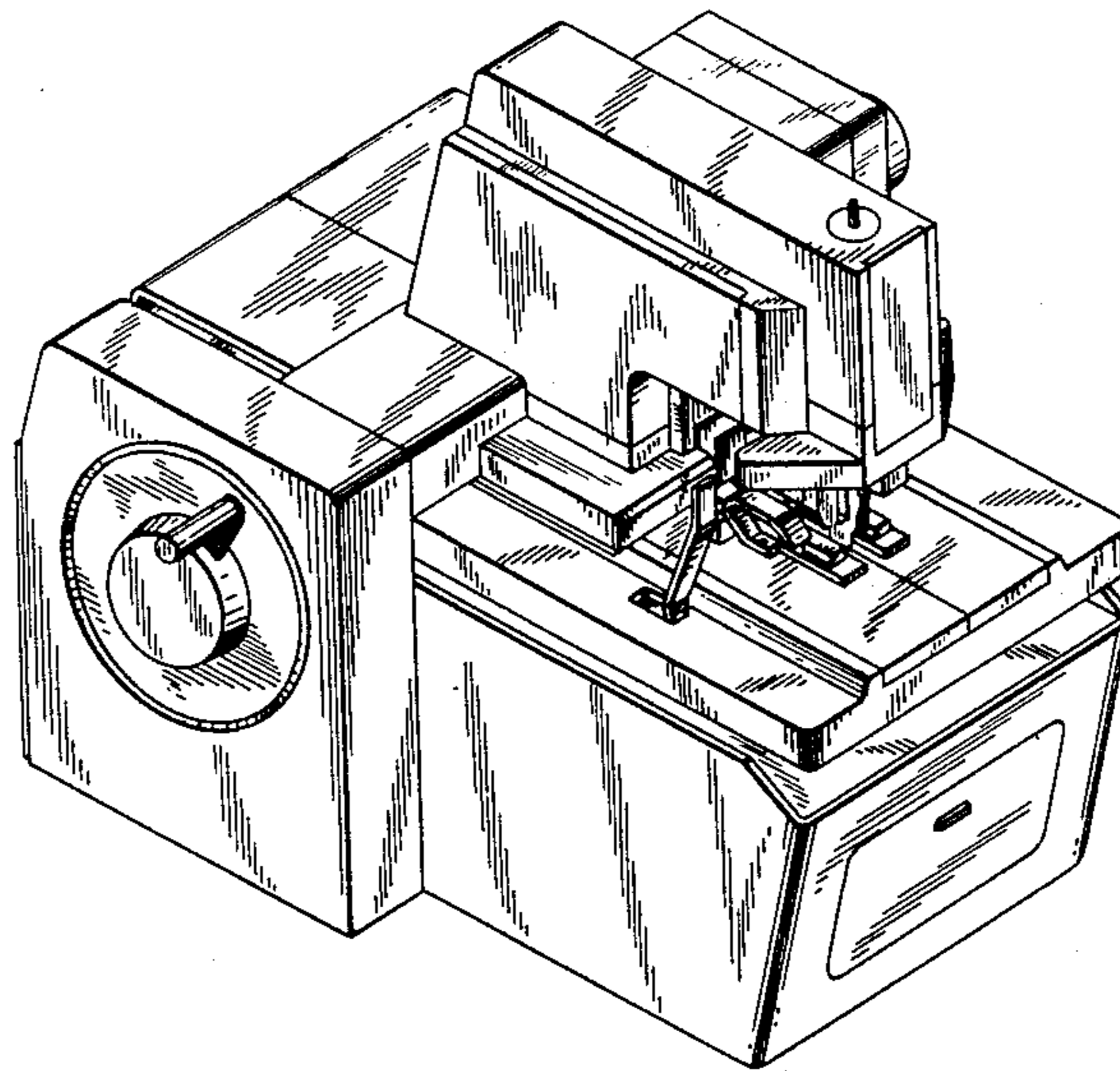
[58] Field of Search D15/68-70;
112/63, 258-261

FIG. 1 is a front elevational view of a sewing machine,
showing our new design;
FIG. 2 is a top plan view thereof;
FIG. 3 is a rear elevational view thereof;
FIG. 4 is a left side elevational view thereof;
FIG. 5 is a right side elevational view thereof;
FIG. 6 is a bottom plan view thereof; and
FIG. 7 is a top rear and left side perspective view
thereof.

[56] References Cited

U.S. PATENT DOCUMENTS

D. 278,823 5/1985 Yoneda D15/69
3,420,198 1/1969 Greulich 42/259 X
4,044,700 8/1977 Aeschliman 112/258 X



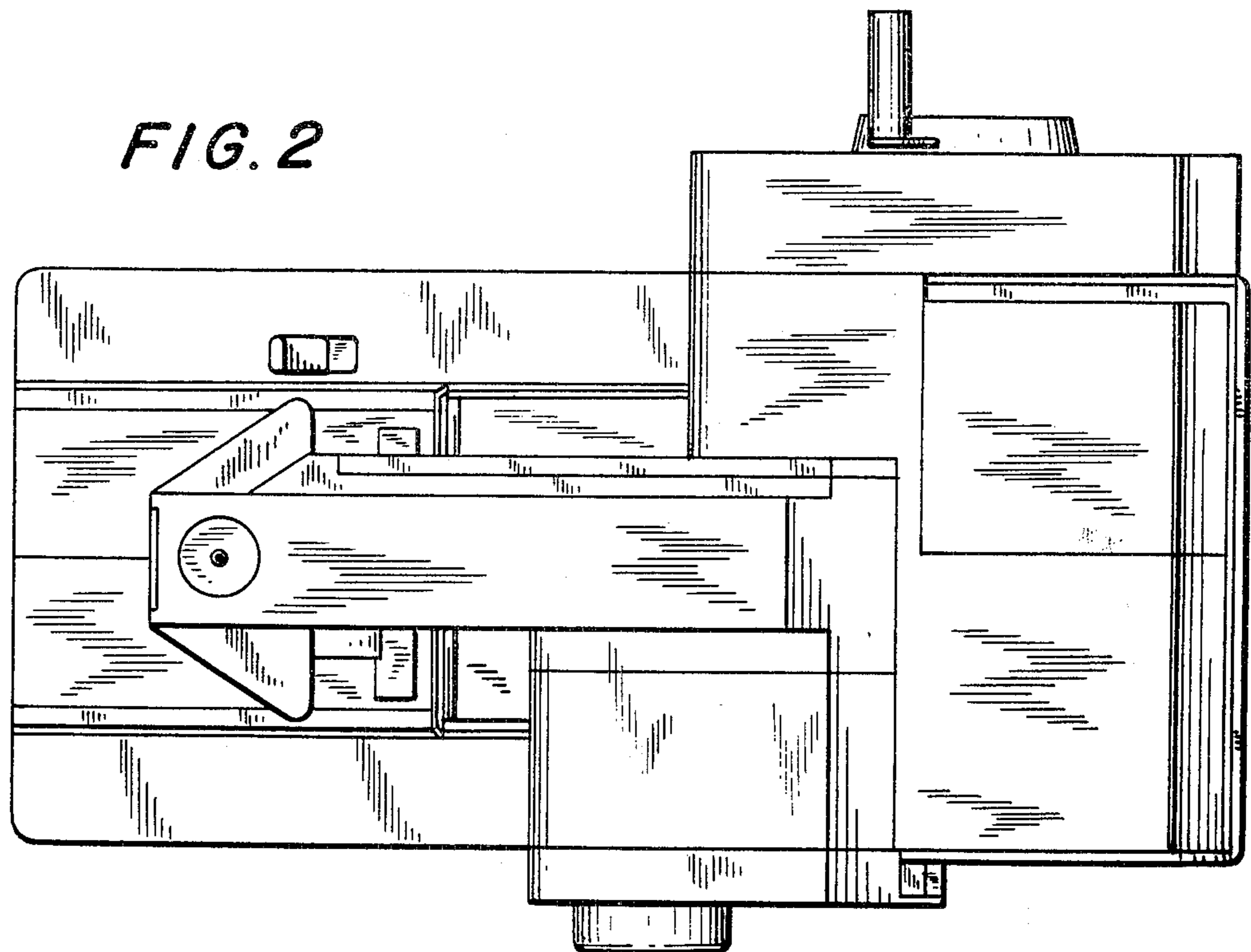
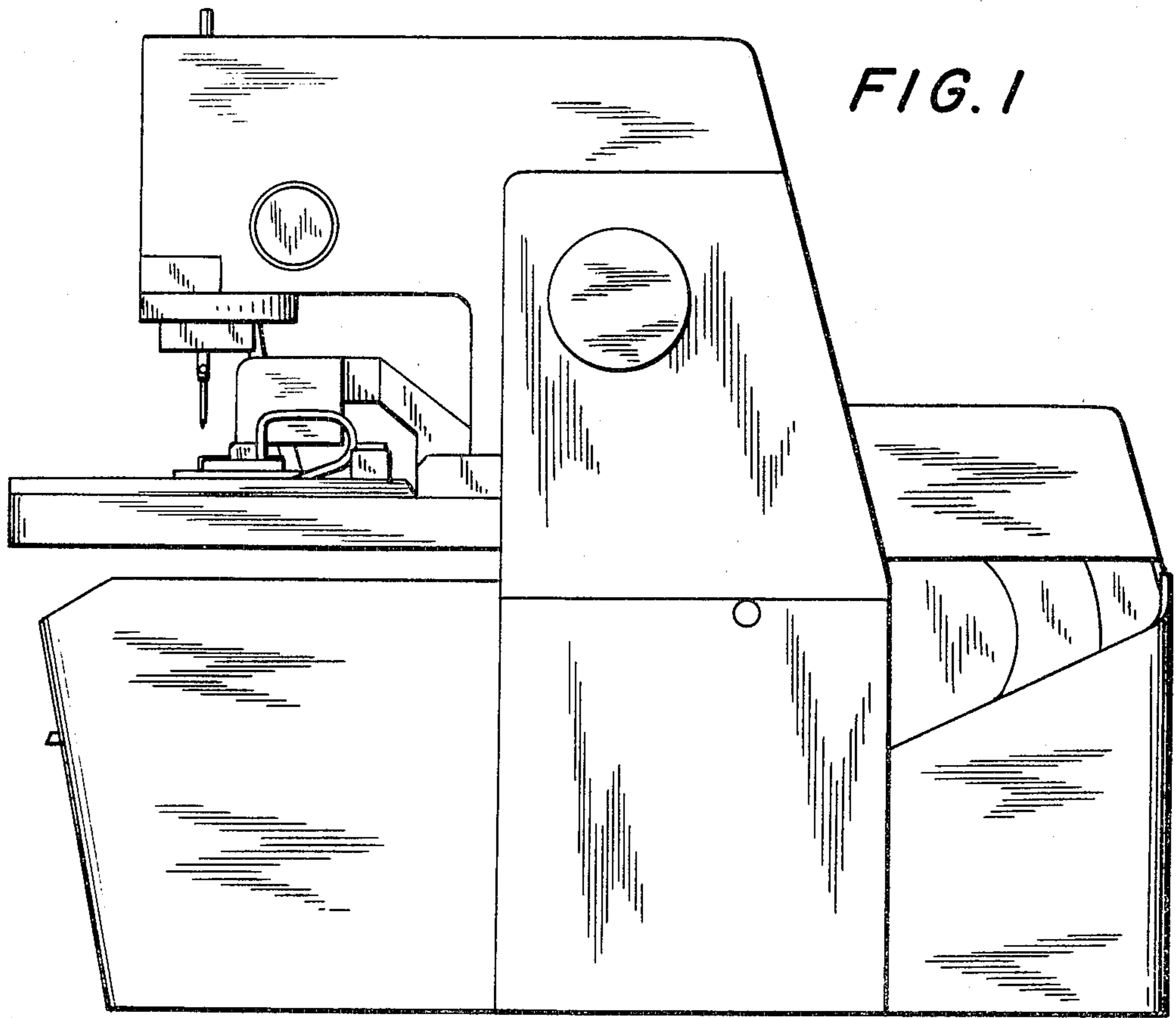


FIG. 3

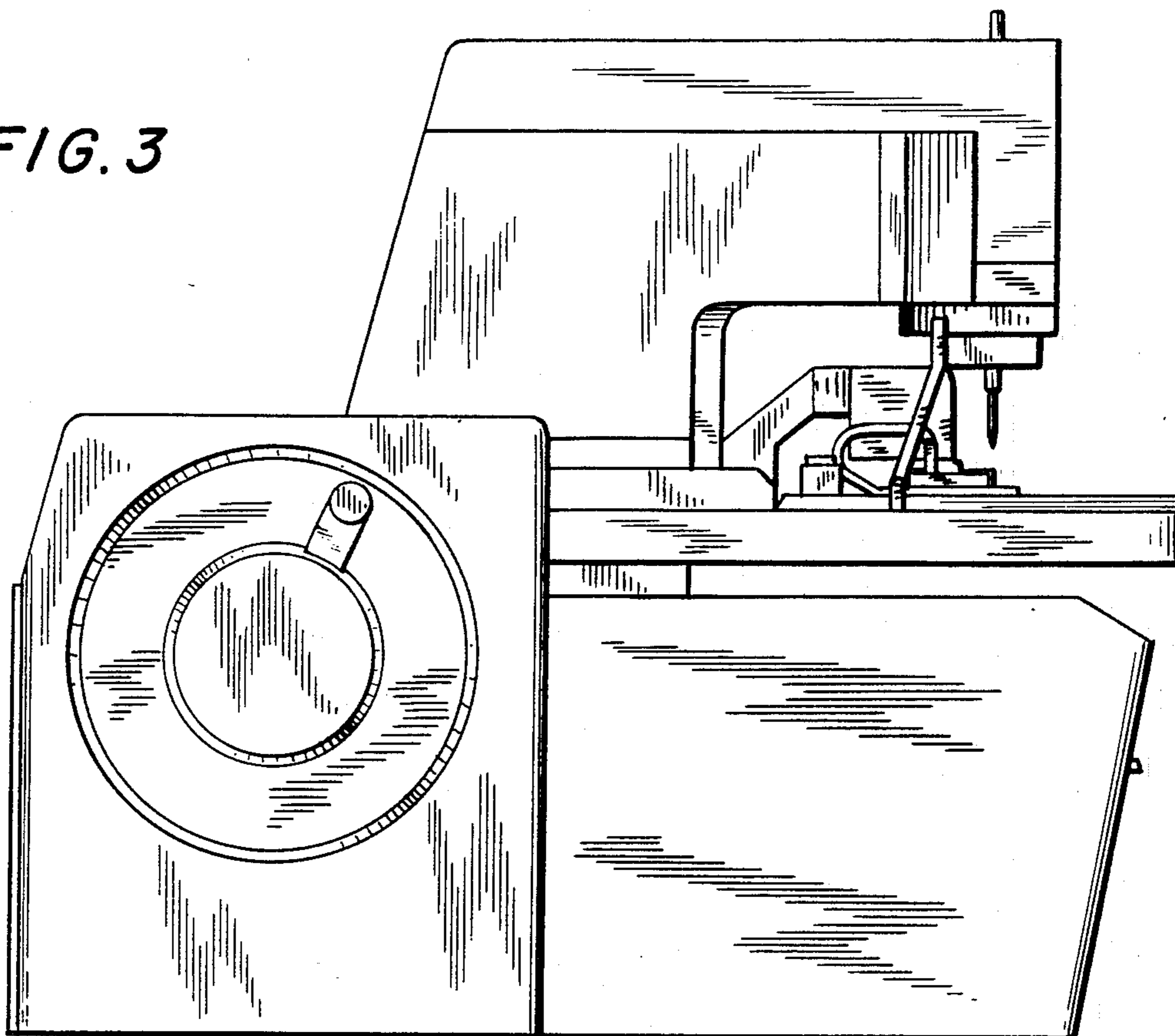


FIG. 4

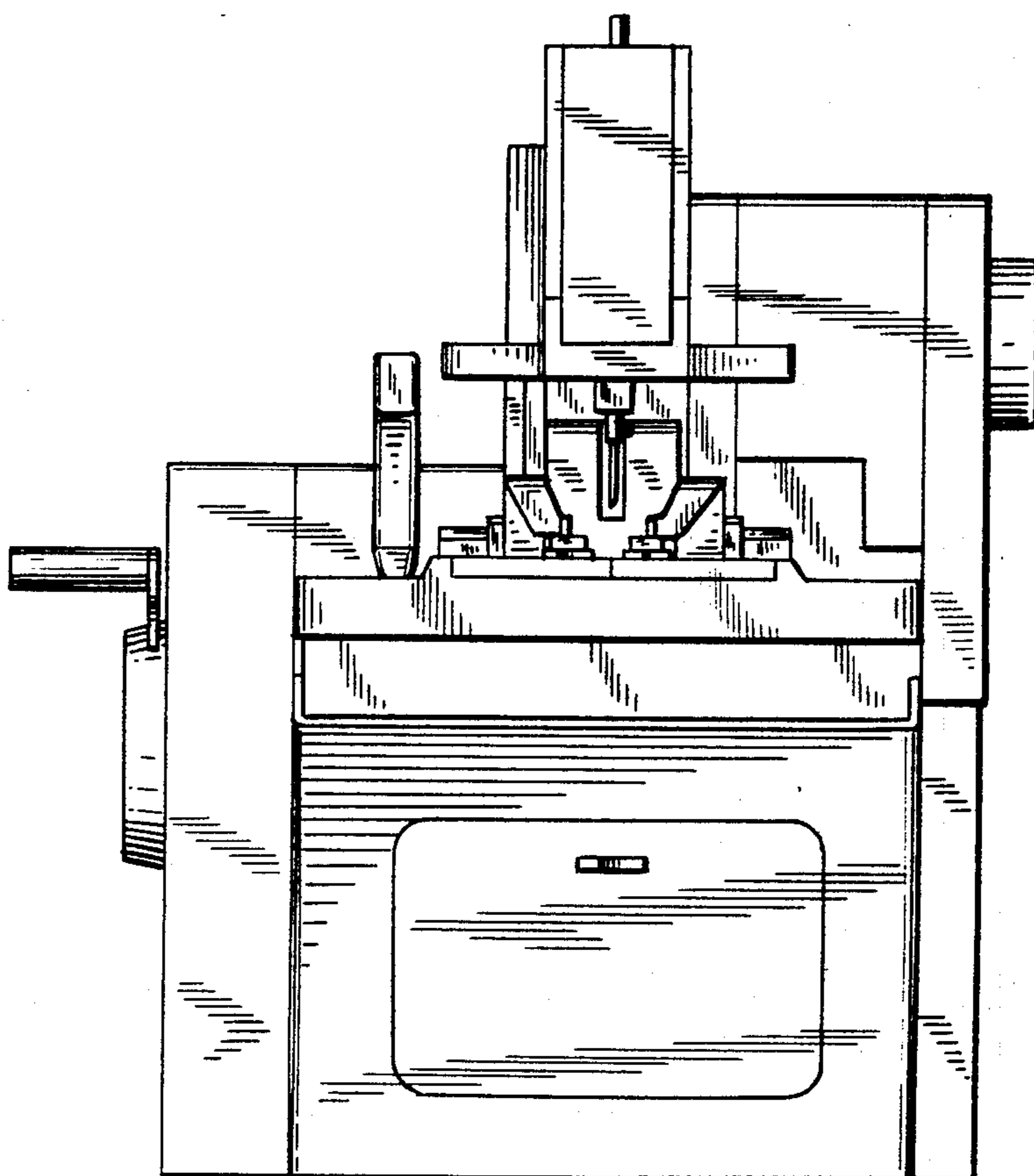


FIG. 5

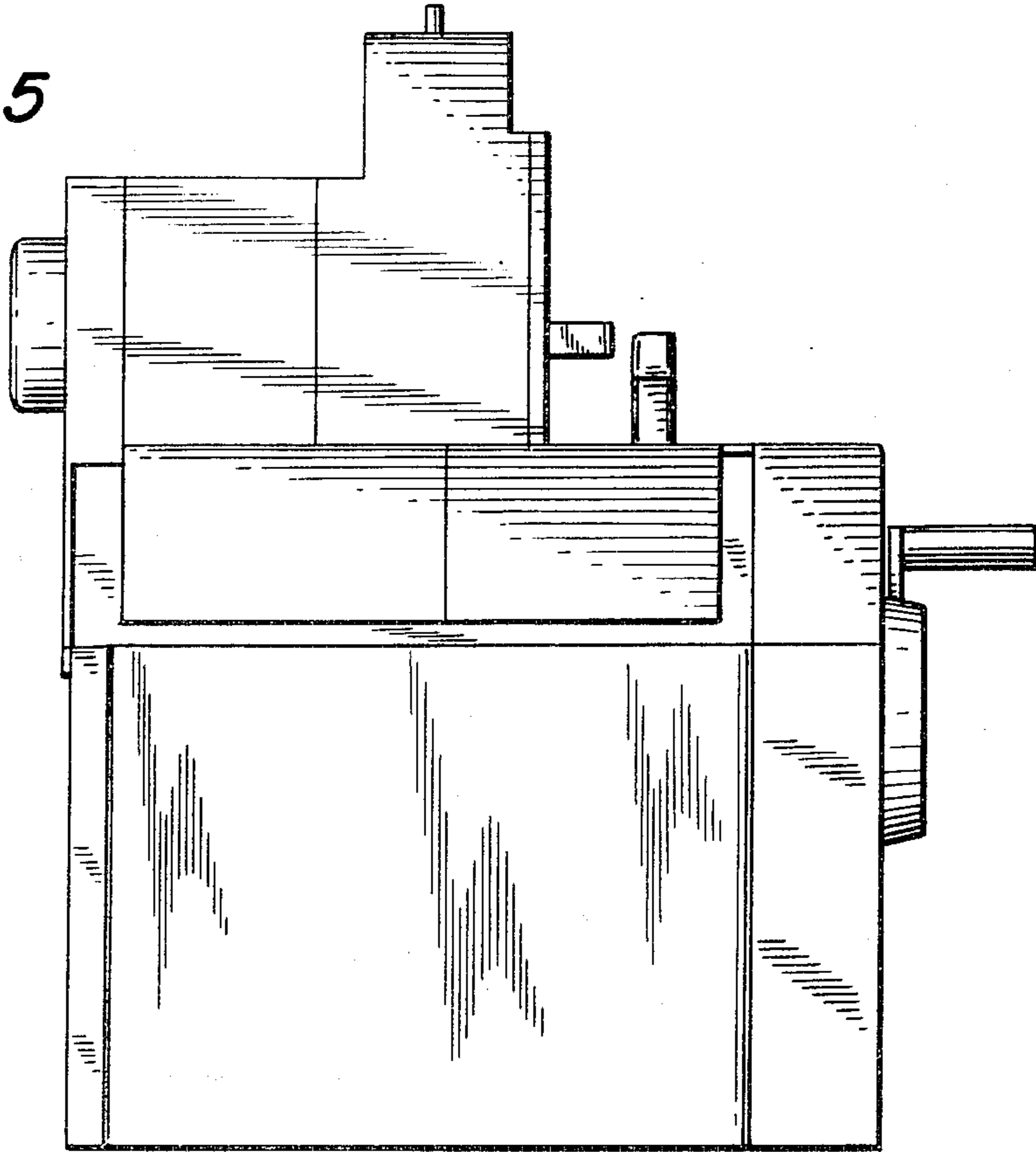


FIG. 6

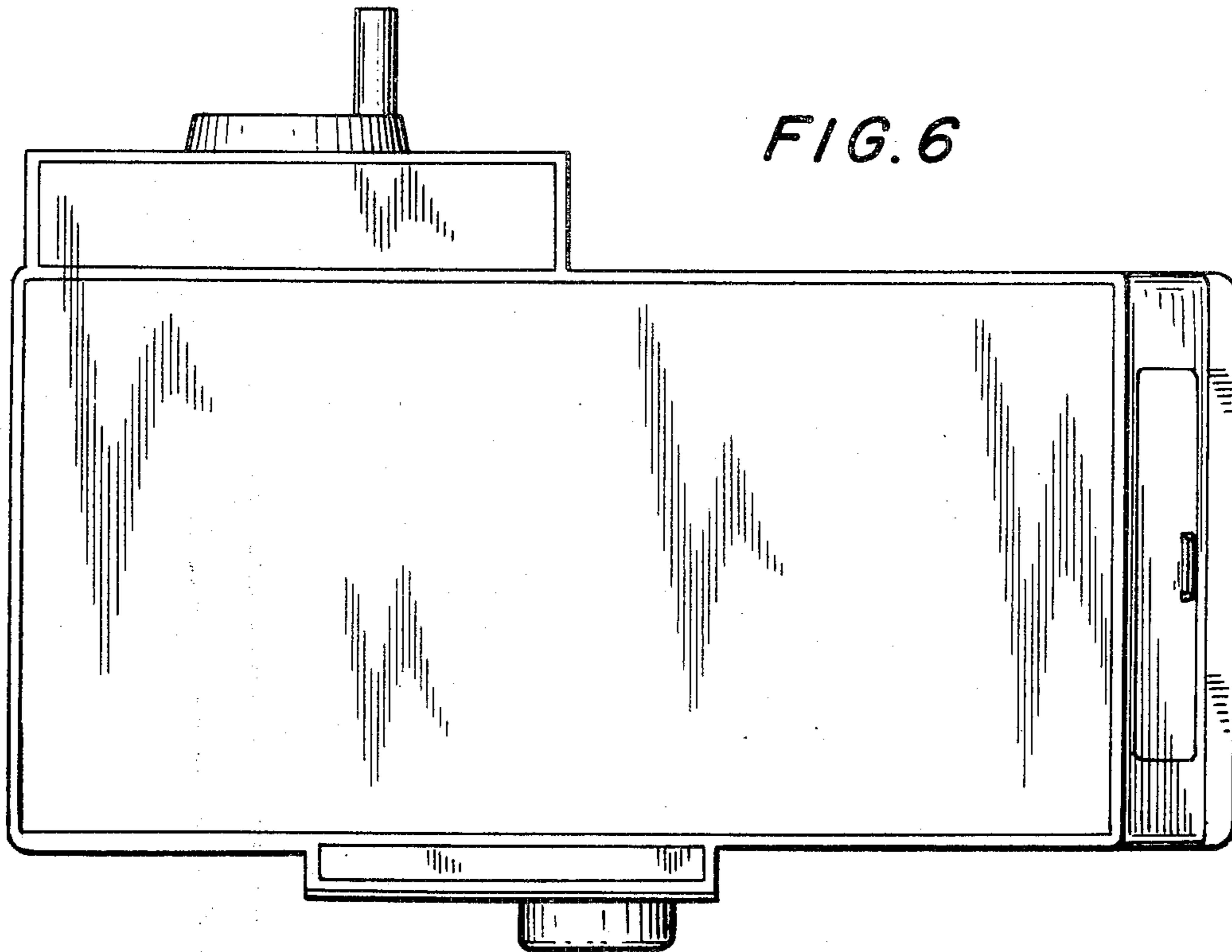


FIG. 7

