

[54] DATA MEMORY MODULE

[75] Inventors: Robert F. McDaniel, Paris; James P. Wang, Lexington, both of Ky.

[73] Assignee: International Business Machines Corporation, Armonk, N.Y.

[\*\*] Term: 14 Years

[21] Appl. No.: 537,221

[22] Filed: Sep. 29, 1983

[52] U.S. Cl. .... D14/114; D13/40; D14/11

[58] Field of Search ..... D13/24, 30, 31, 27, D13/28, 29; 339/21 R, 22 R, 122, 147 R, 147 C, 157 C, 119 C, 164 R, 176 M; 361/392, 395, 399; 174/52; D14/11, 114; 400/692, 67, 121, 124

[56] References Cited

U.S. PATENT DOCUMENTS

- D. 250,016 10/1978 Spencer et al. .... D13/24
- D. 260,881 9/1981 McKinsey et al. .... D14/11
- 2,317,710 4/1943 Anderson ..... 339/176 M

- 2,688,123 8/1954 Benham et al. .... 339/176 M
- 2,959,760 11/1960 Bodenschatz ..... 339/176 M
- 3,731,257 5/1973 Bakker ..... 339/176 M
- 4,101,017 7/1978 Englund et al. .... 400/124
- 4,235,501 11/1980 Ericsson ..... 339/176 M X
- 4,388,010 6/1983 Mott et al. .
- 4,459,680 7/1984 Sukeda et al. .... D14/114 X

Primary Examiner—Susan J. Lucas  
Assistant Examiner—C. E. Heflin  
Attorney, Agent, or Firm—John A. Brady

[57] CLAIM

The ornamental design for a data memory module, as shown.

DESCRIPTION

FIG. 1 is a front perspective view of a data memory module showing our new design;  
FIG. 2 is a right side elevational view thereof;  
FIG. 3 is a left side elevational view thereof;  
FIG. 4 is a bottom plan view thereof;  
FIG. 5 is a top plan view thereof;  
FIG. 6 is a front elevational view thereof;  
FIG. 7 is a rear elevational view thereof.

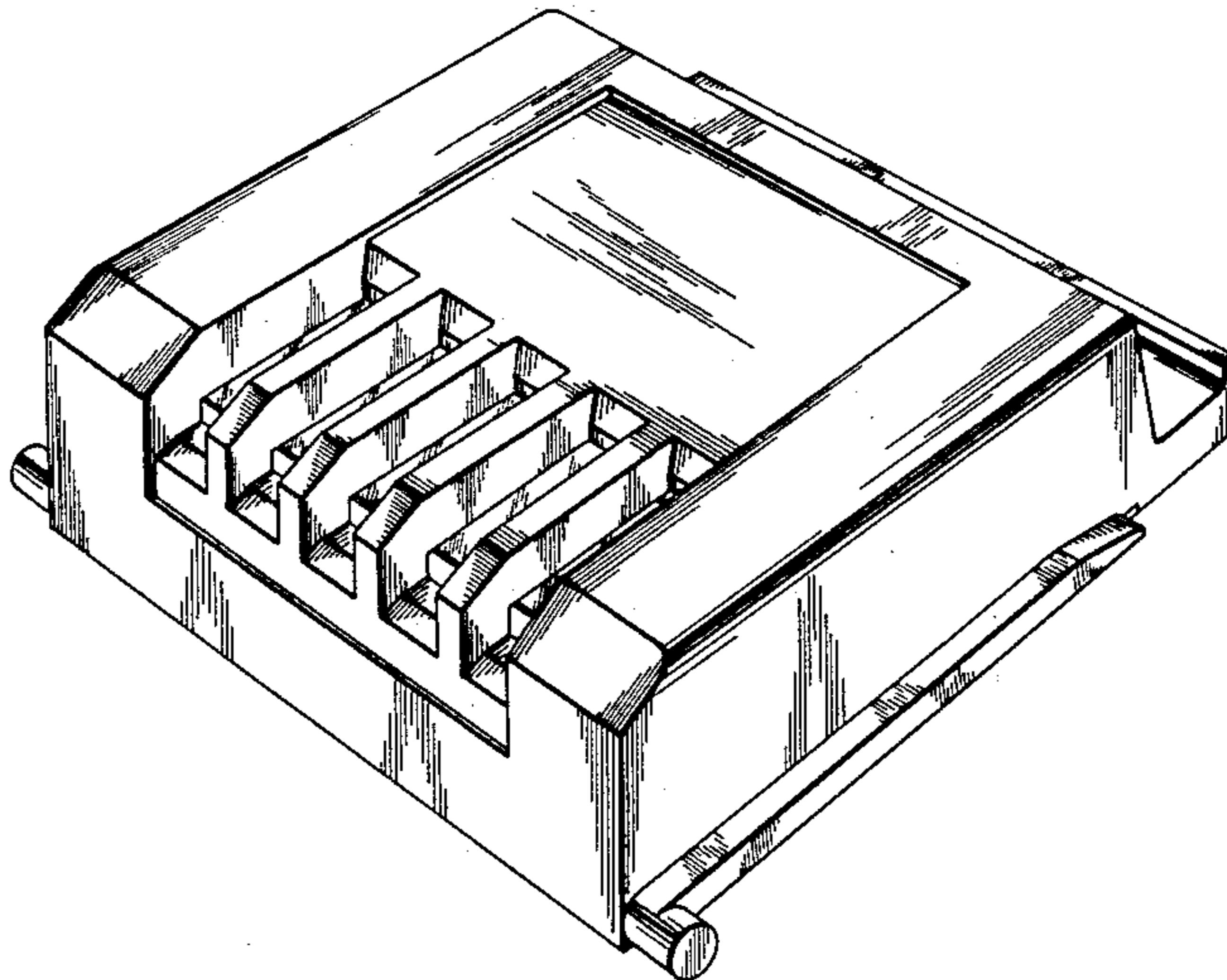


FIG. 4

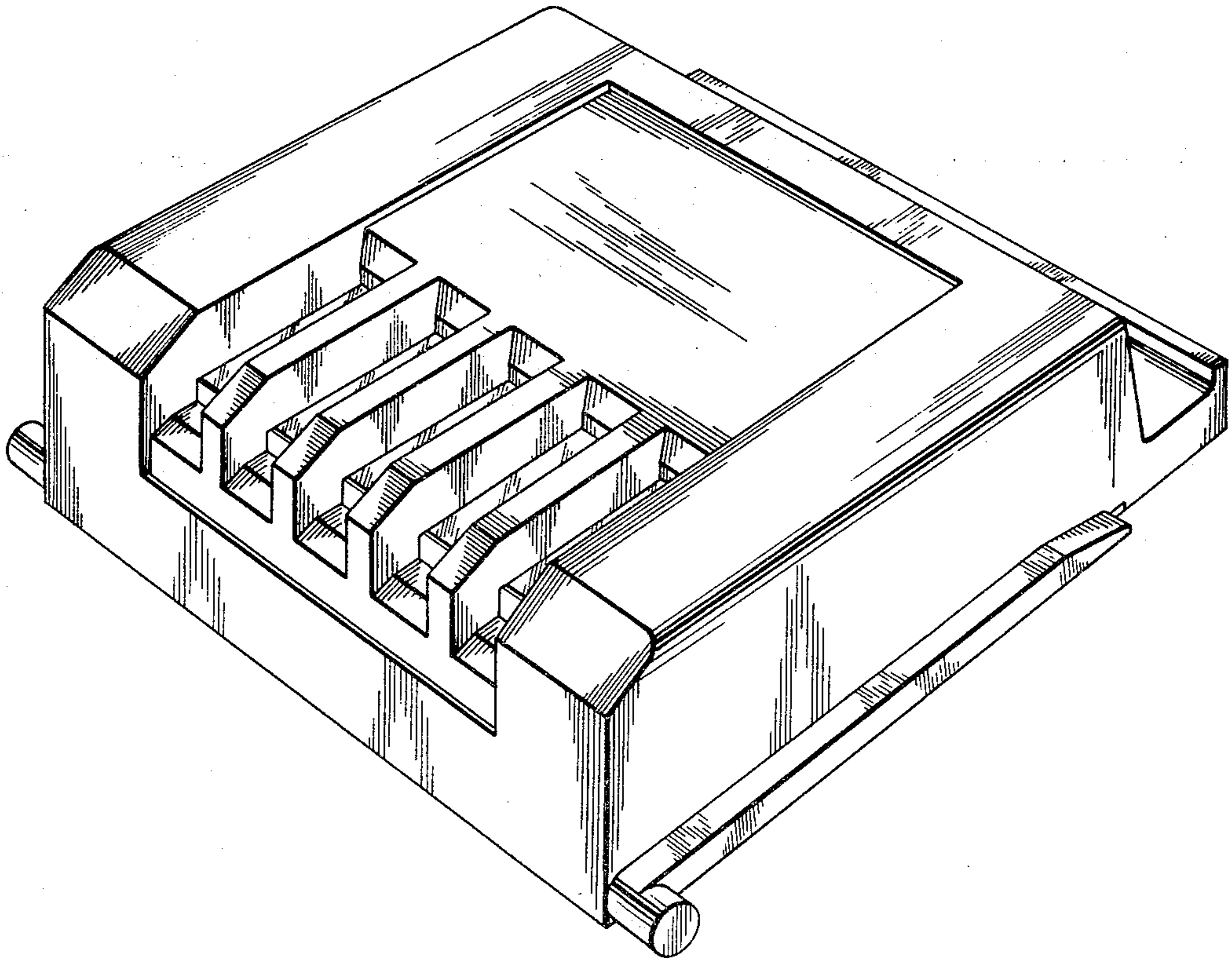


FIG. 2

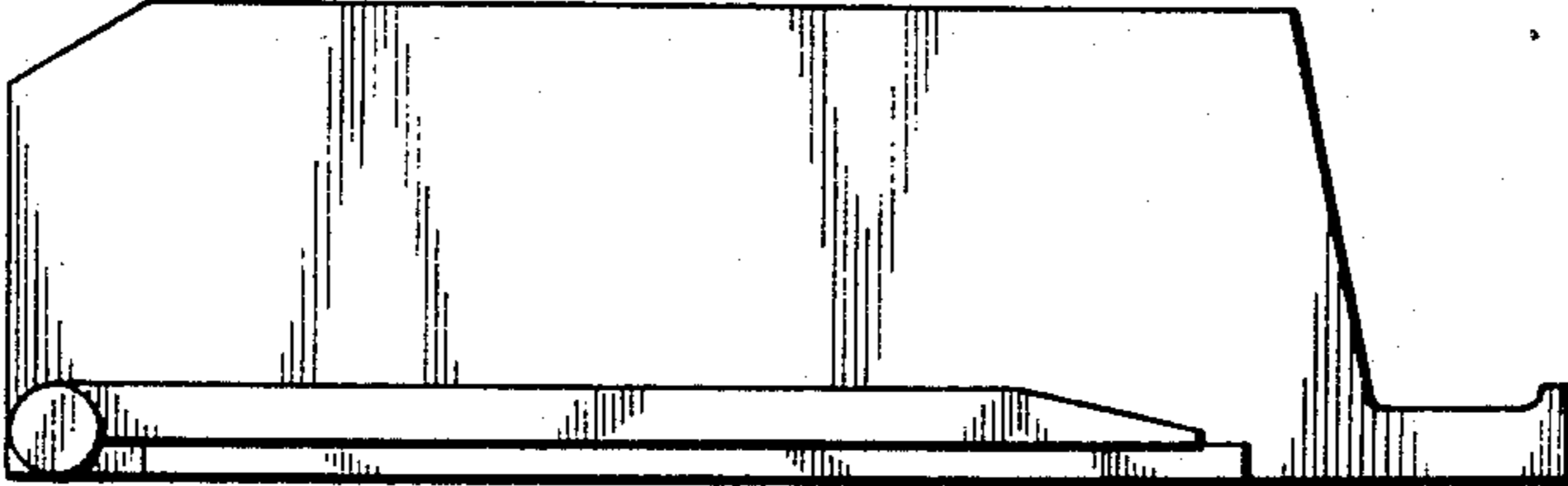


FIG. 3

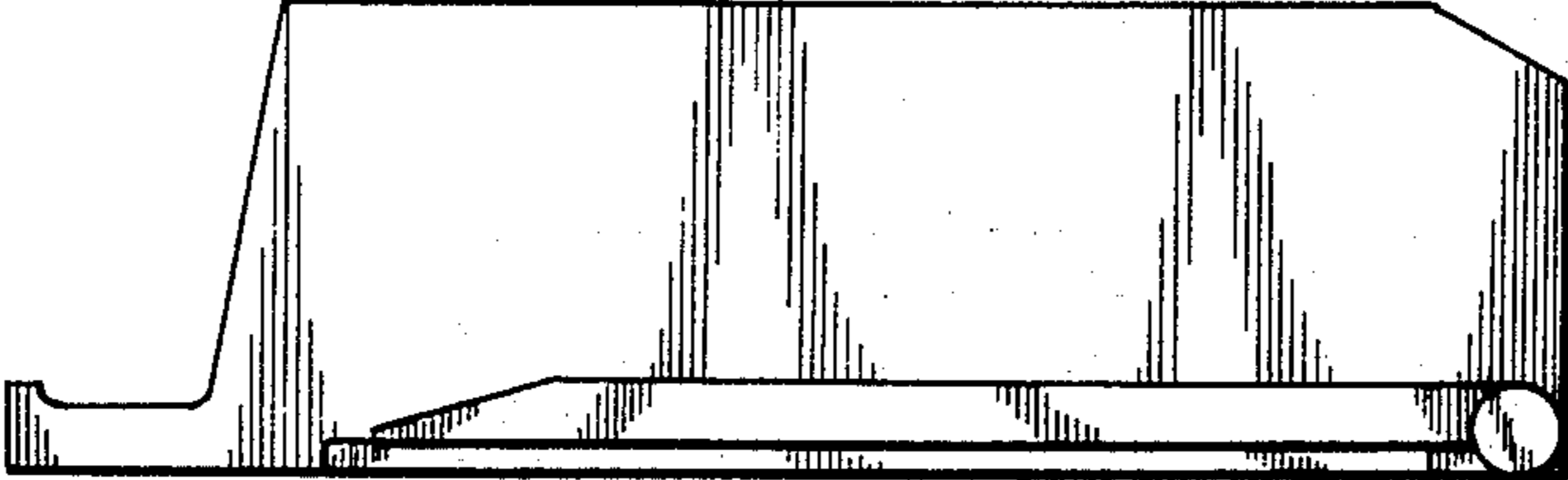


FIG. 4

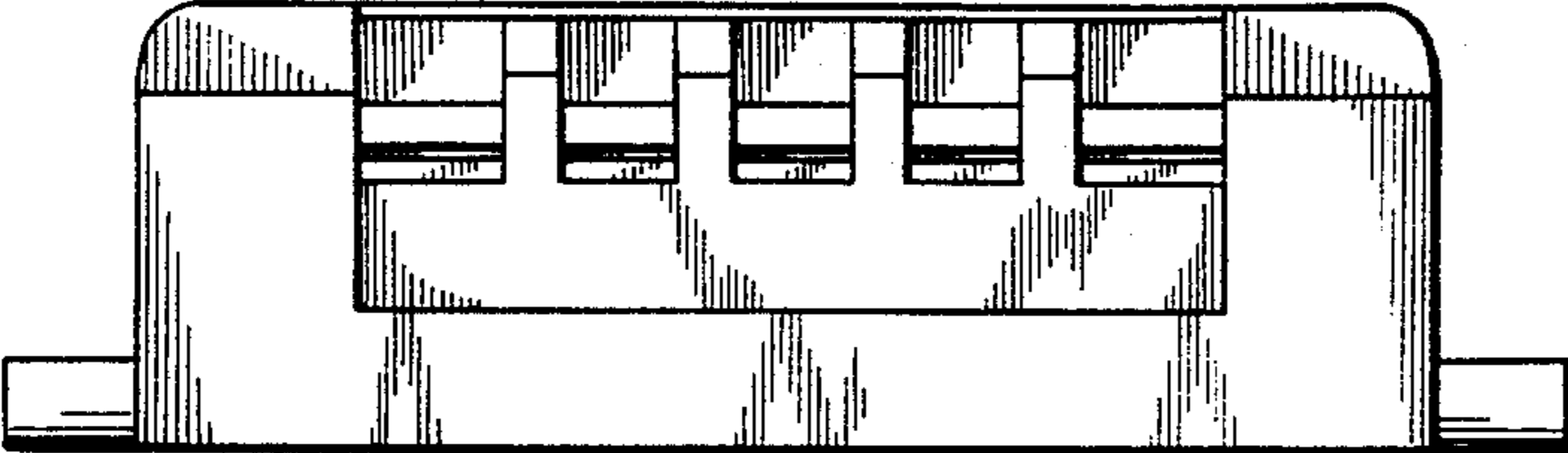


FIG. 5

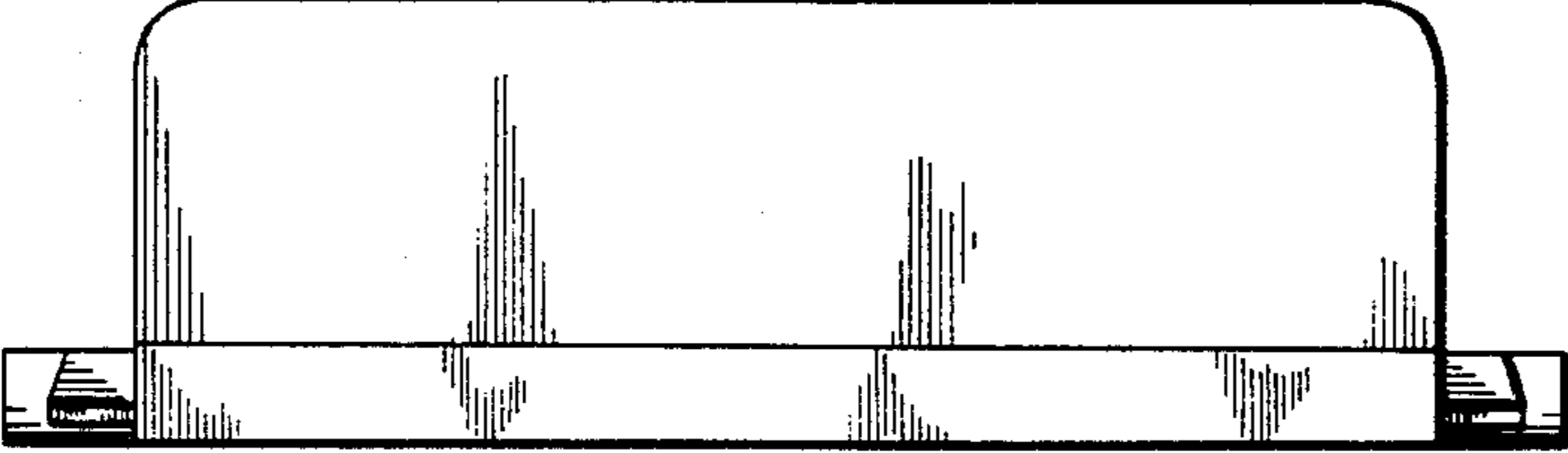


FIG. 6

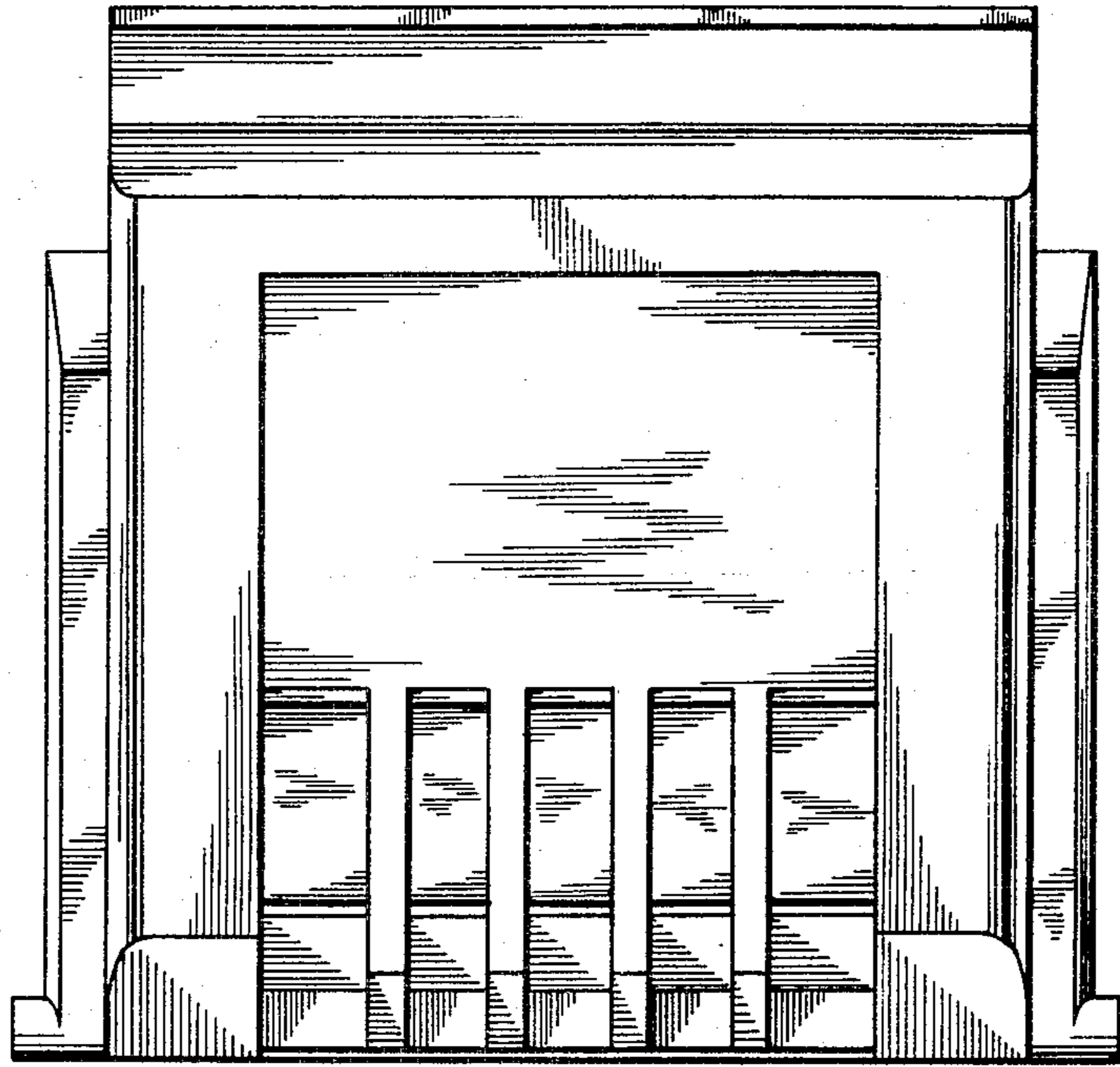


FIG. 7

