

[54] **KEYPAD**

4,064,560 12/1977 Baxter 340/365 R X

[75] Inventors: **David Roots**, Santa Cruz; **Jerrold C. Manock**, Palo Alto; **Terrell A. Oyama**, Los Altos, all of Calif.

OTHER PUBLICATIONS

Apple III Personal Computer System Brochure, 5-1982, Keyboard.

[73] Assignee: **Apple Computer, Inc.**, Cupertino, Calif.

Primary Examiner—Susan J. Lucas
Attorney, Agent, or Firm—Blakely, Sokoloff, Taylor & Zafman

[**] Term: **14 Years**

[21] Appl. No.: **581,920**

[57] **CLAIM**

The ornamental design for a keypad, substantially as shown.

[22] Filed: **Feb. 21, 1984**

[52] U.S. Cl. **D14/100**

[58] Field of Search **D14/100, 105, 106, 107, D14/114; D13/32, 37, 38; 340/365 R, 706; 235/145 R; 200/5 A, 5 R**

DESCRIPTION

FIG. 1 is a perspective view of the keypad showing our new design;

FIG. 2 is a top plan view thereof;

FIG. 3 is a right side elevation view thereof;

FIG. 4 is a bottom plan elevation view thereof;

FIG. 5 is a front elevation view thereof;

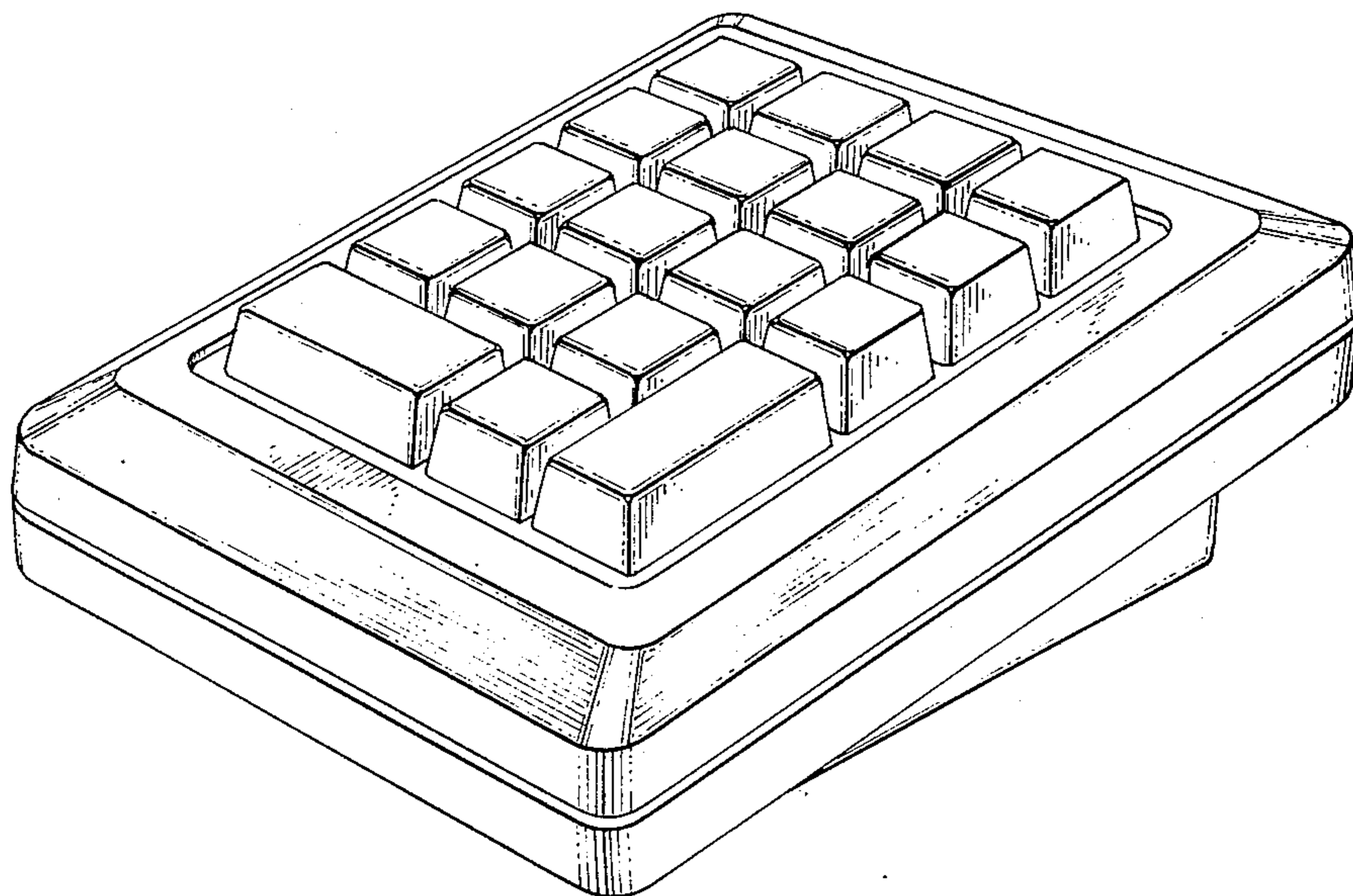
FIG. 6 is a left side elevation view thereof;

FIG. 7 is a rear elevation view thereof.

[56] **References Cited**

U.S. PATENT DOCUMENTS

- D. 202,554 10/1965 Meunier D14/100
- D. 237,977 12/1975 Isaacs D14/100
- 3,478,857 11/1969 Linker 235/145 R



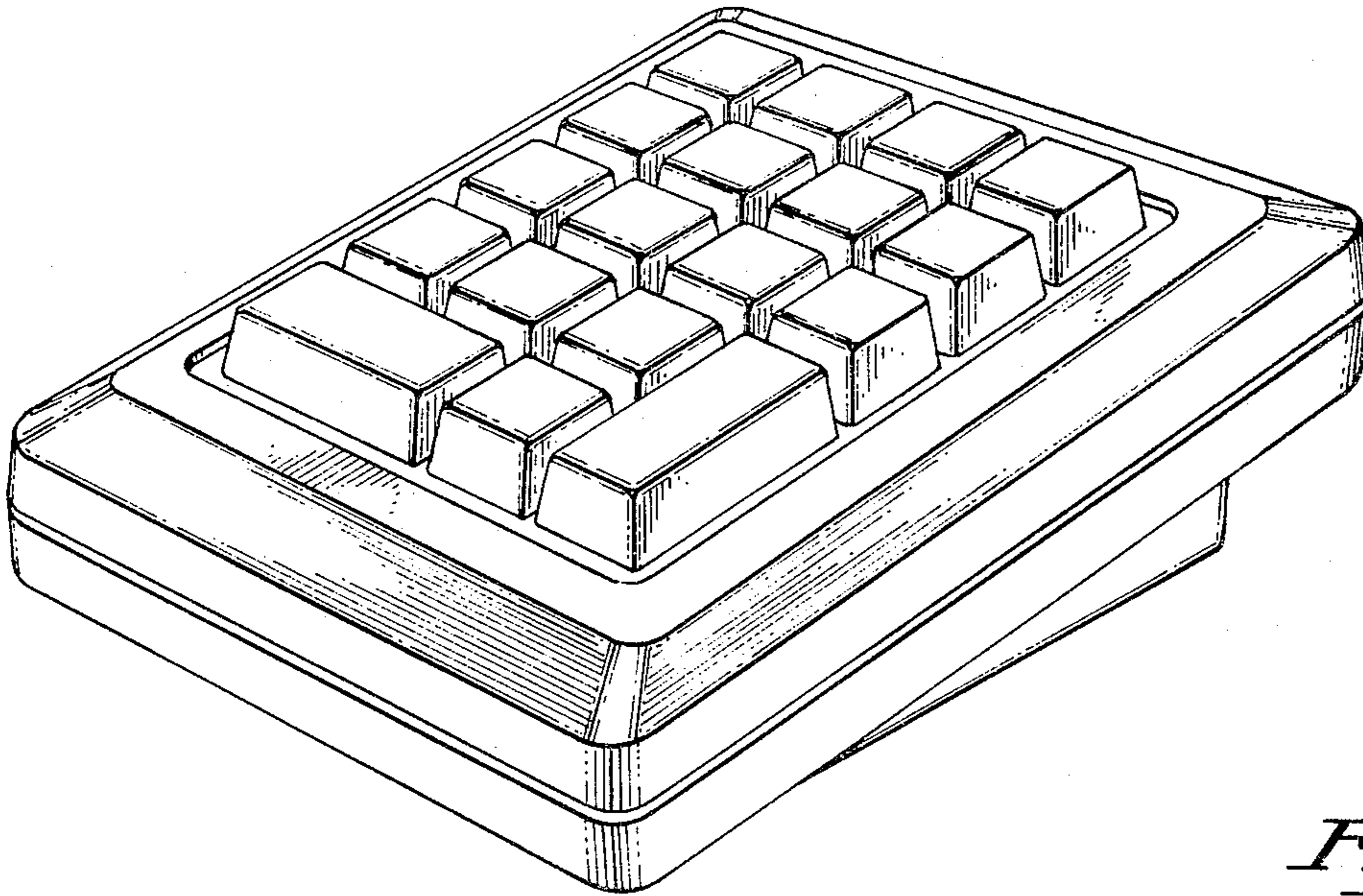


Fig. 1

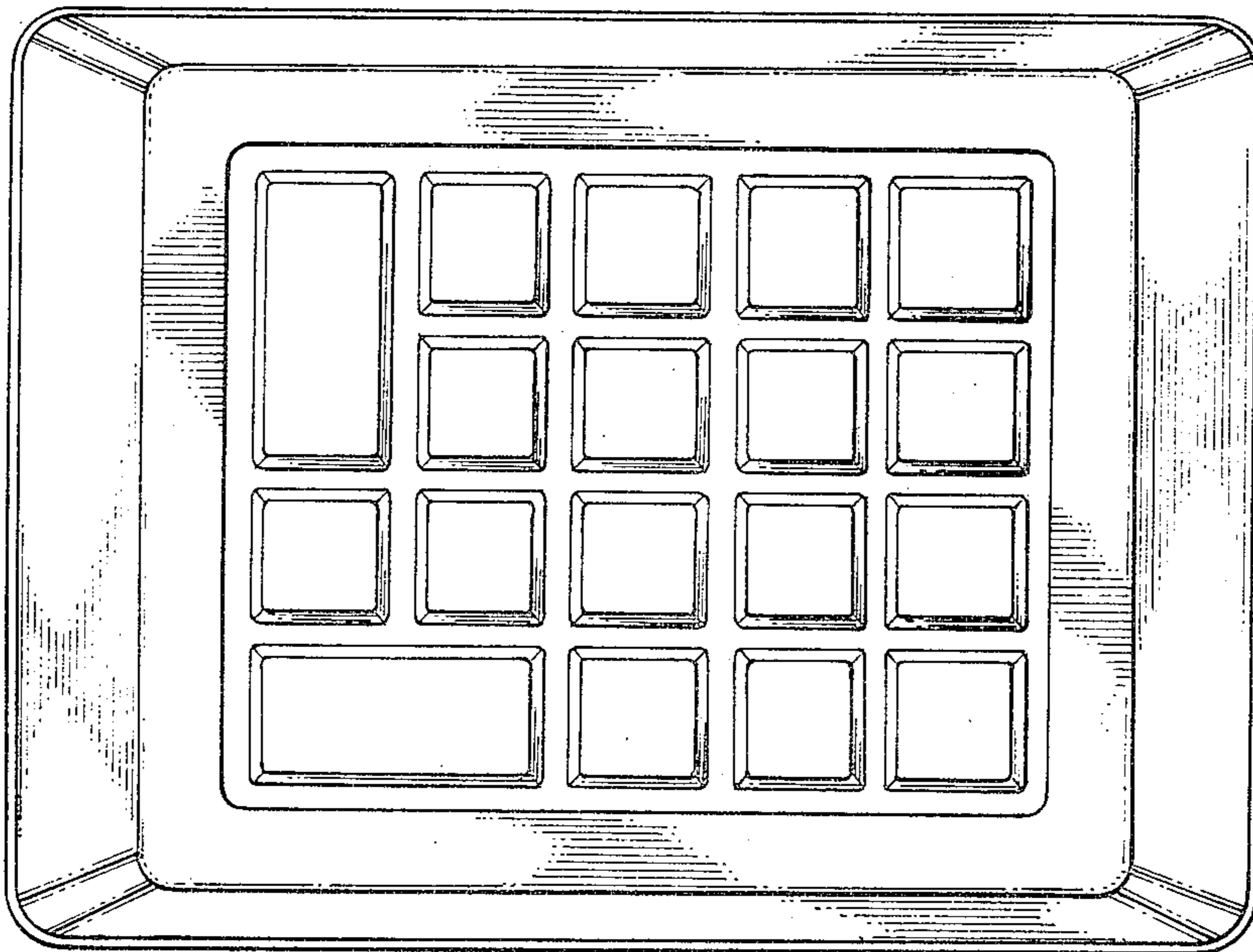


Fig. 2

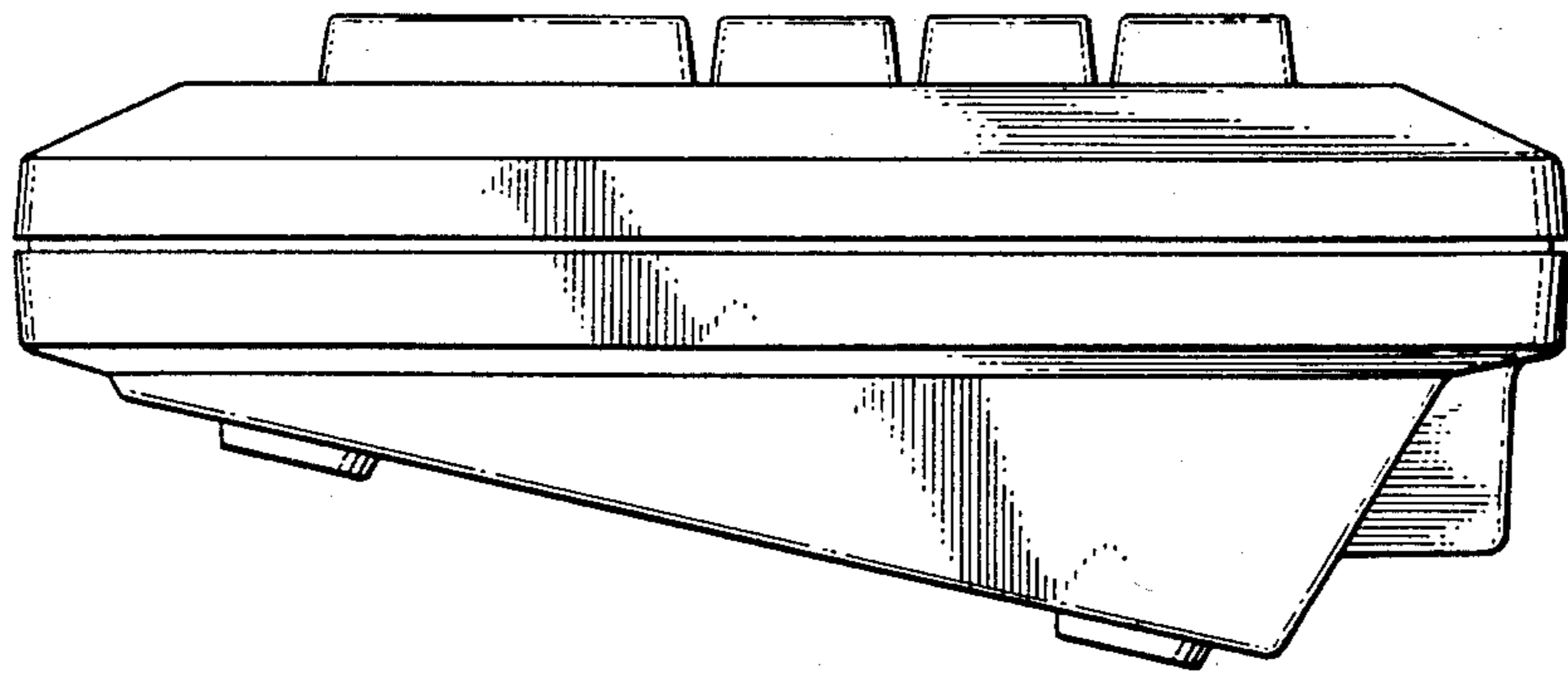


Fig. 3

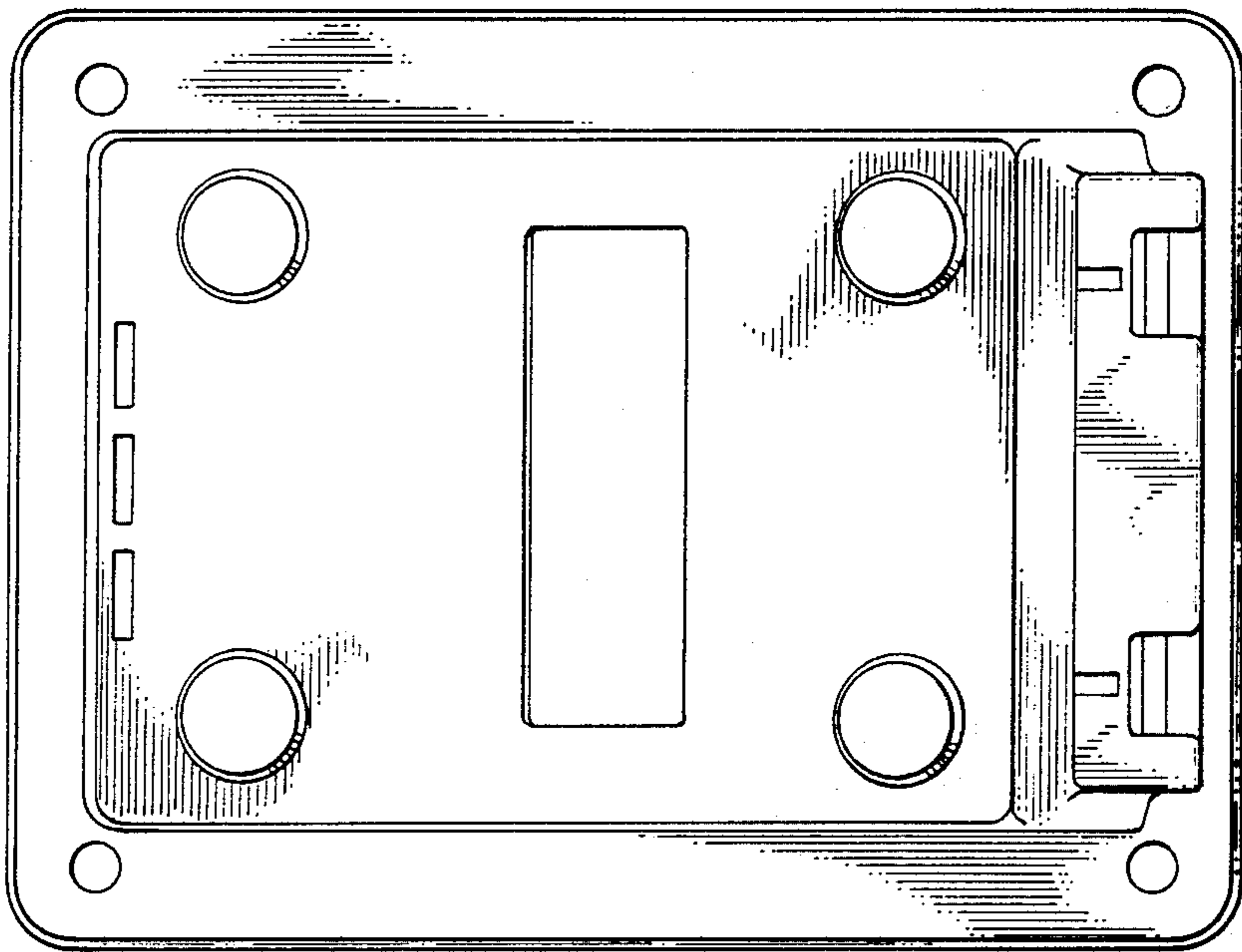


Fig. 4

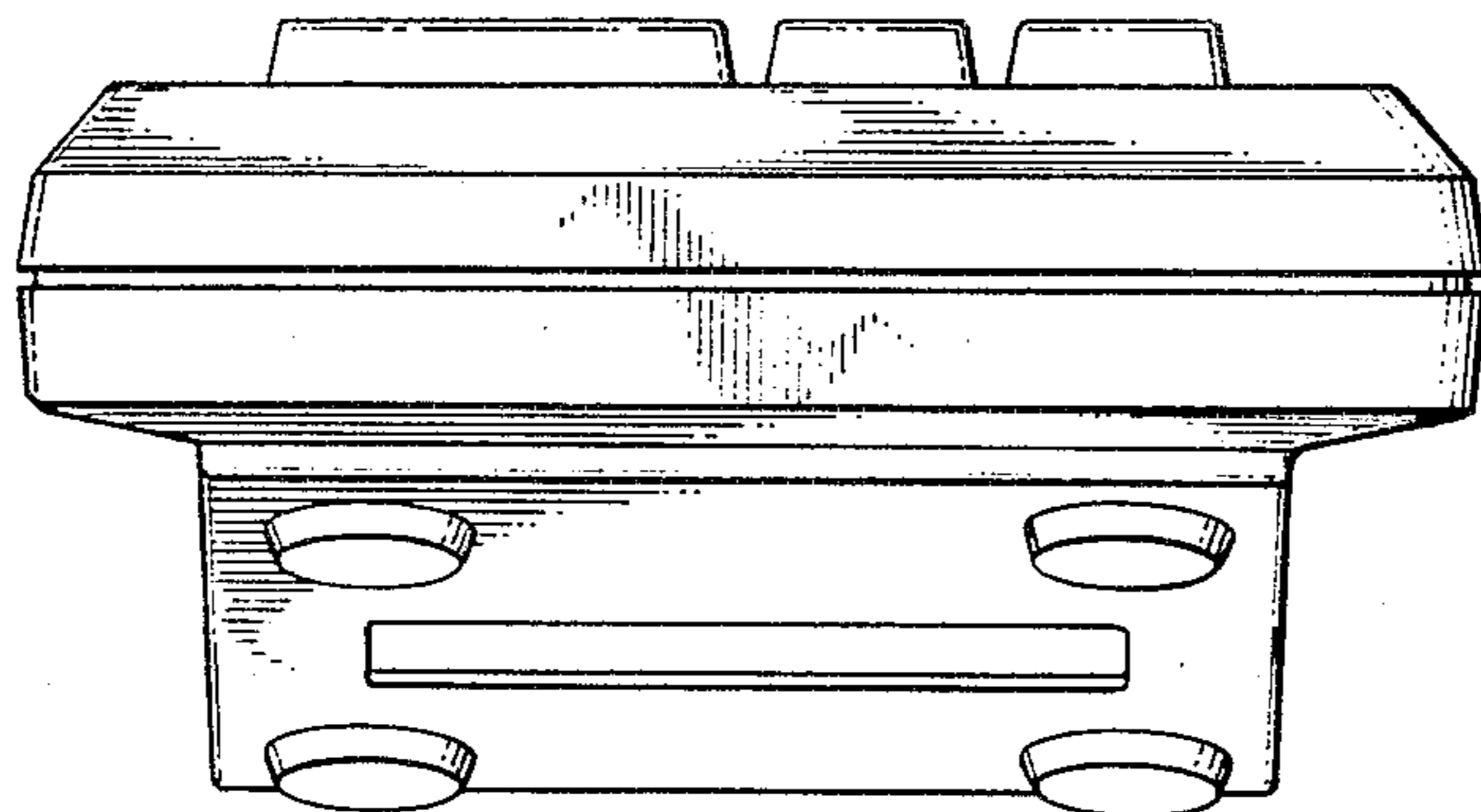


Fig. 5

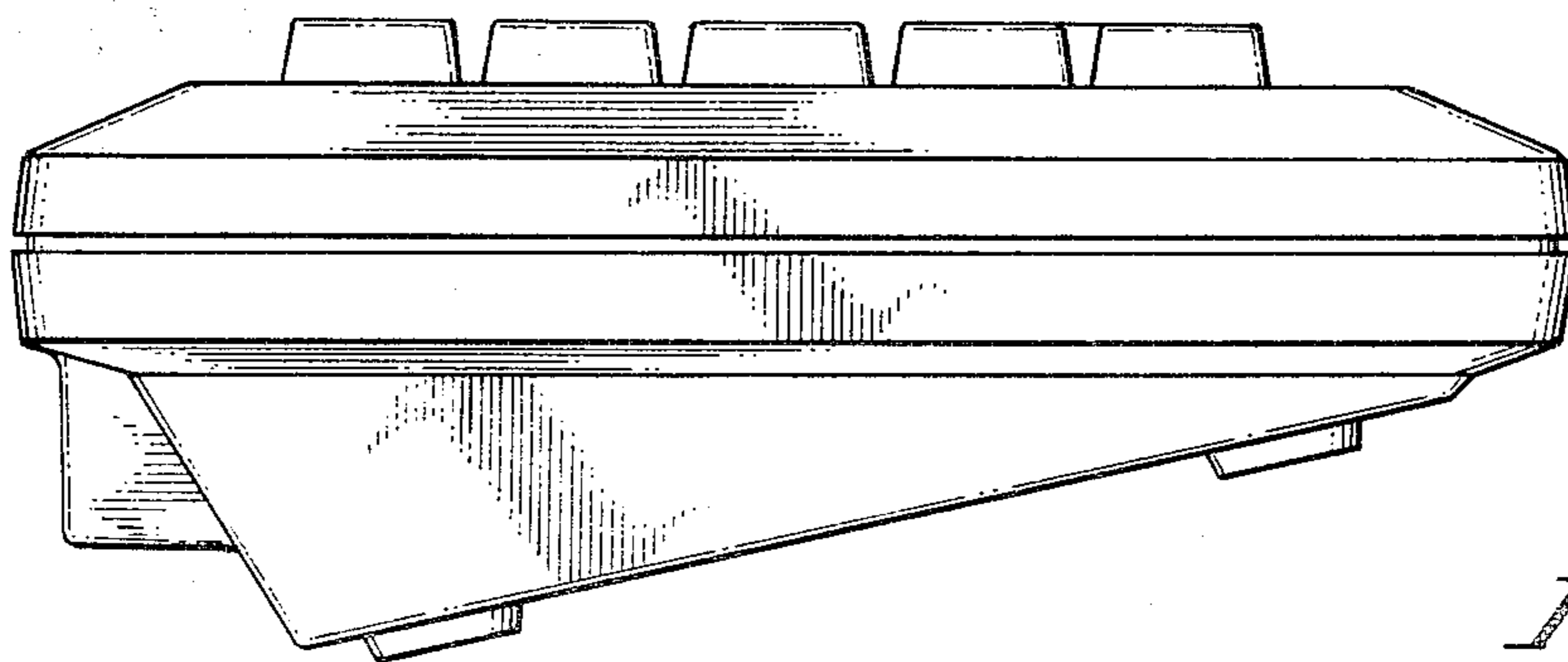


Fig. 6

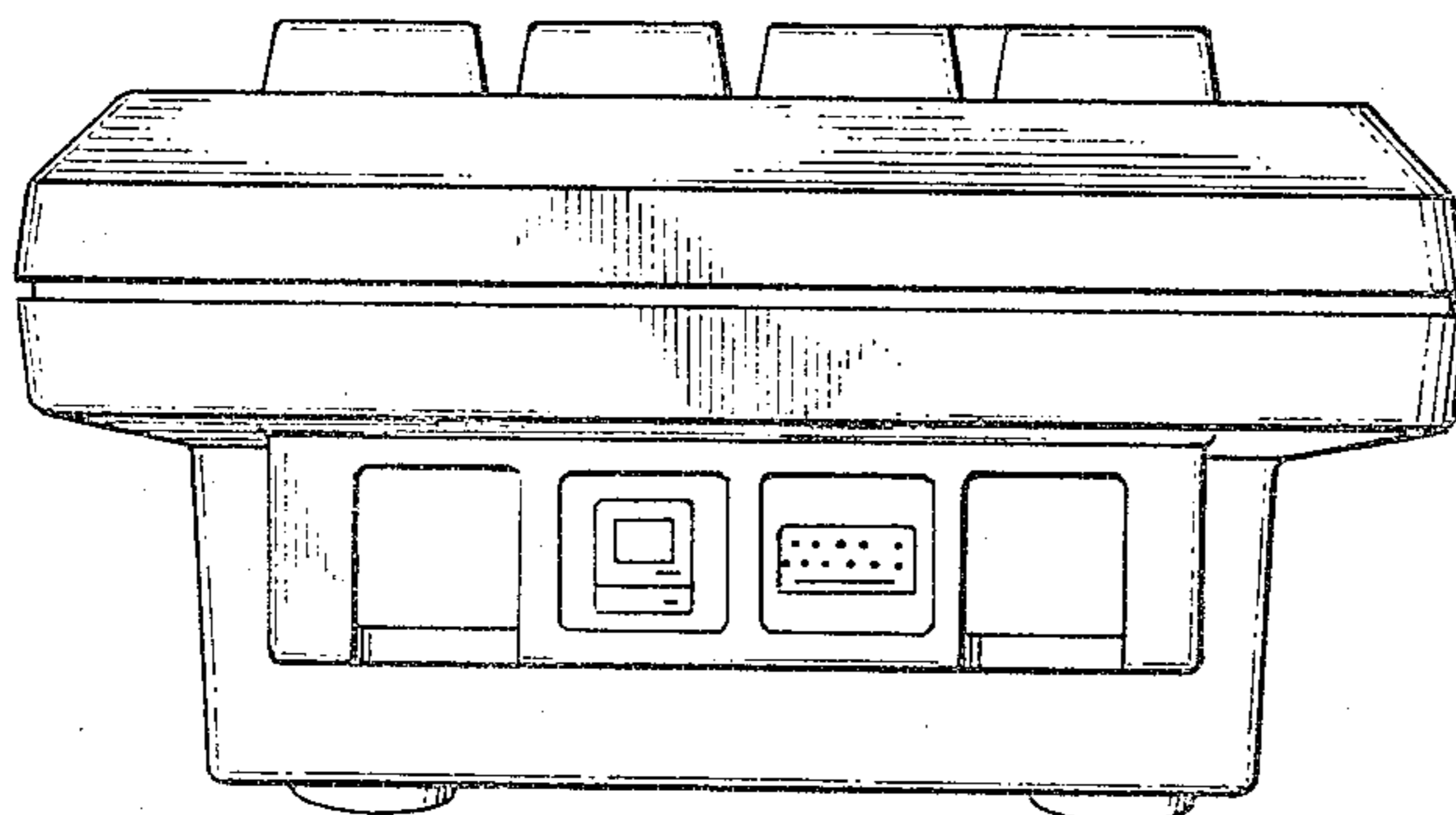


Fig. 7