

[54] **KEYBOARD**

[75] **Inventor: Roland P. O. Lindhé, Stockholm, Sweden**

[73] **Assignee: Telefonaktiebolaget LM Ericsson, Stockholm, Sweden**

[**] **Term: 14 Years**

[21] **Appl. No.: 546,012**

[22] **Filed: Oct. 27, 1983**

[30] **Foreign Application Priority Data**

Apr. 29, 1983 [SE] Sweden 831224

[52] **U.S. Cl. D14/100**

[58] **Field of Search D14/100, 105, 106, 107, D14/114; 340/365 R, 711; 235/145 R**

[56] **References Cited**

U.S. PATENT DOCUMENTS

D. 270,911 10/1983 Endt D14/100

D. 272,624 2/1984 Genaro et al. D14/115

OTHER PUBLICATIONS

CompuCorp ® 700 Series Information Processors Brochure ©1982, p. 2, Keyboard.

Computer Design, 1-1981, back cover, Ramtek Keyboard.

Siemens Communication Systems, Inc. Ad, 11-1982, Keyboard.

Primary Examiner—Susan J. Lucas

Attorney, Agent, or Firm—Roberts, Spieccens & Cohen

[57] **CLAIM**

The ornamental design for a keyboard, as shown.

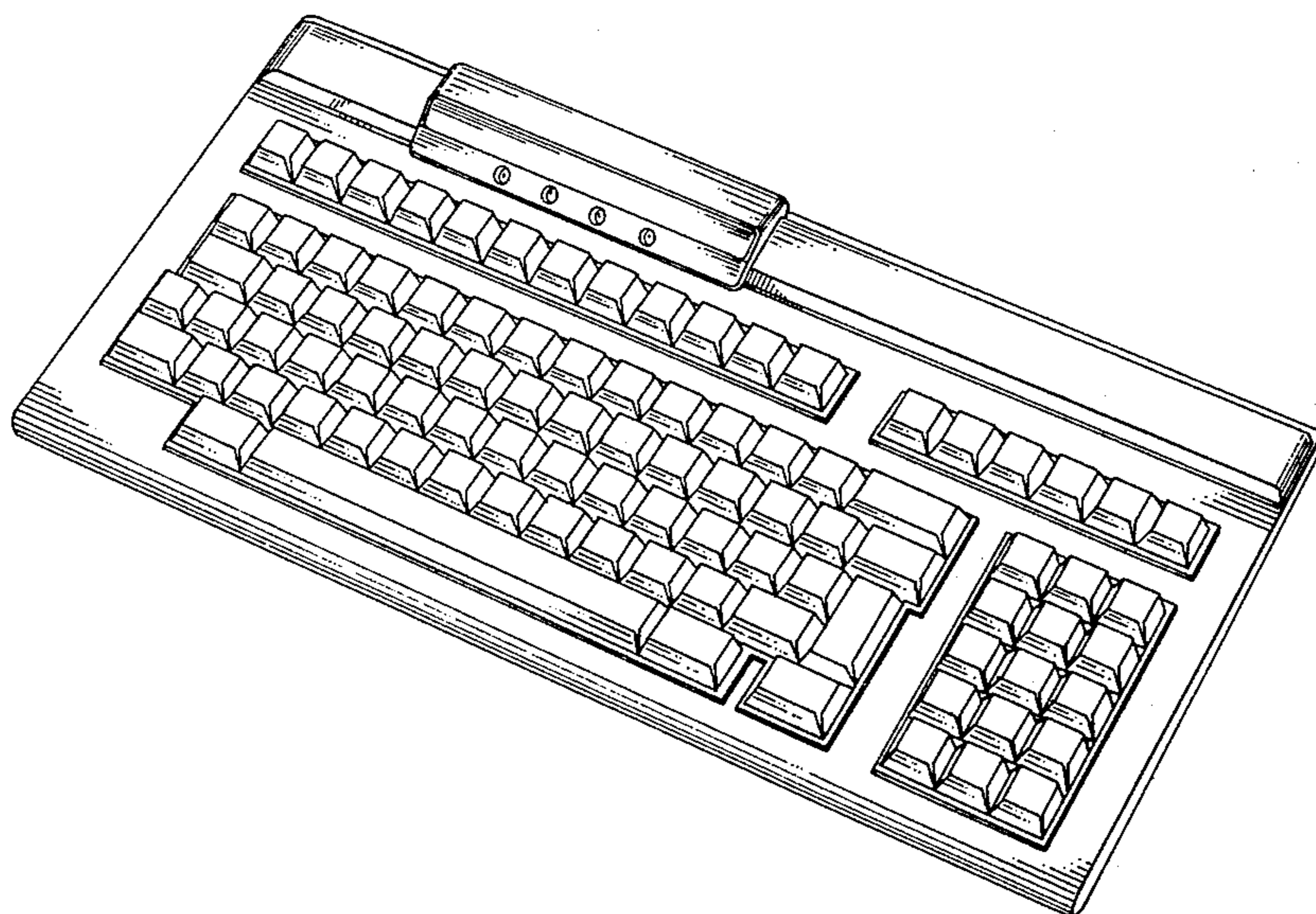
DESCRIPTION

FIG. 1 is a front, top perspective view of a keyboard showing my new design;

FIG. 2 is a rear perspective view thereof;

FIG. 3 is a side elevational view thereof; and

FIG. 4 is a bottom perspective view thereof.



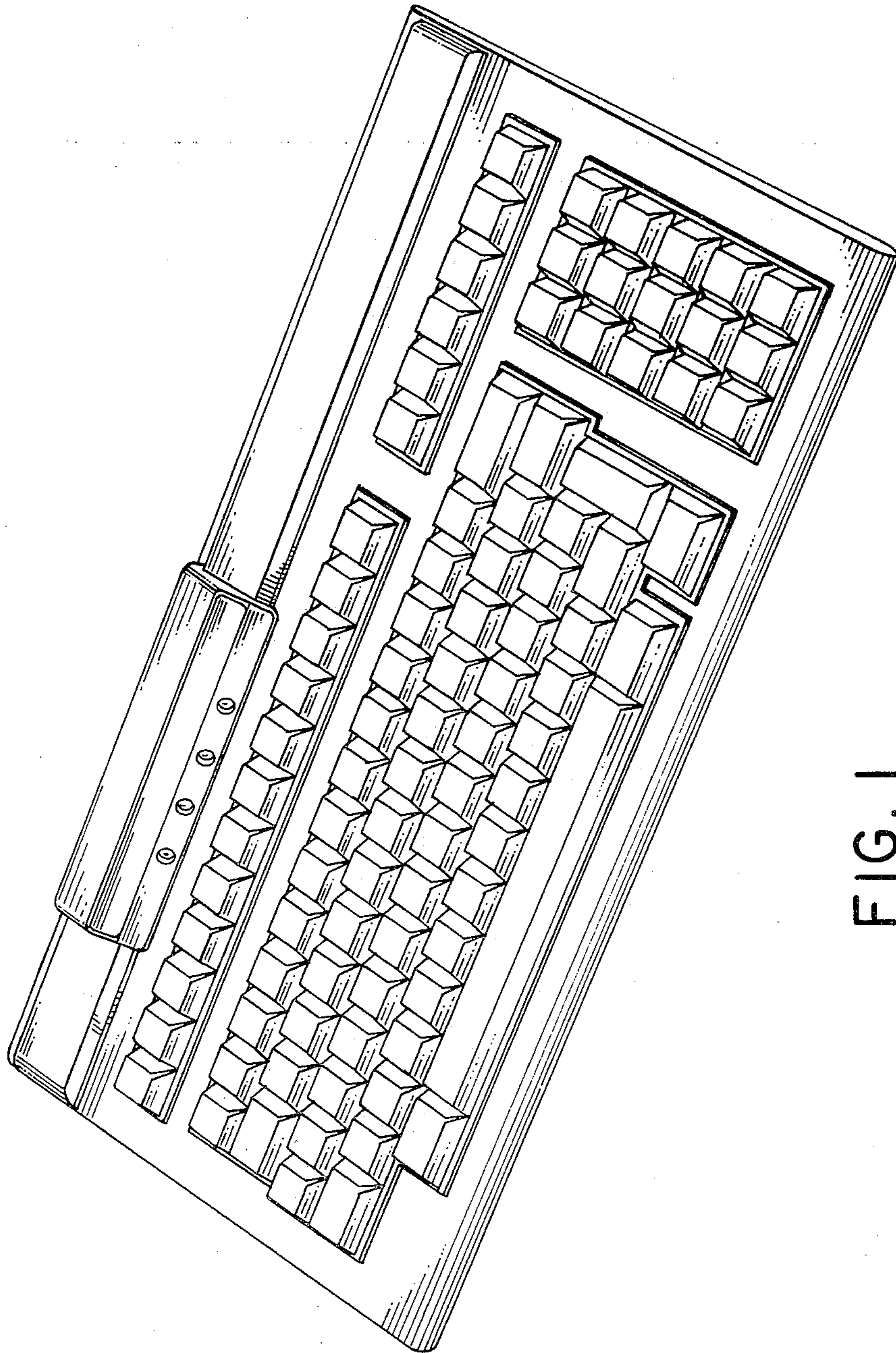


FIG. 1

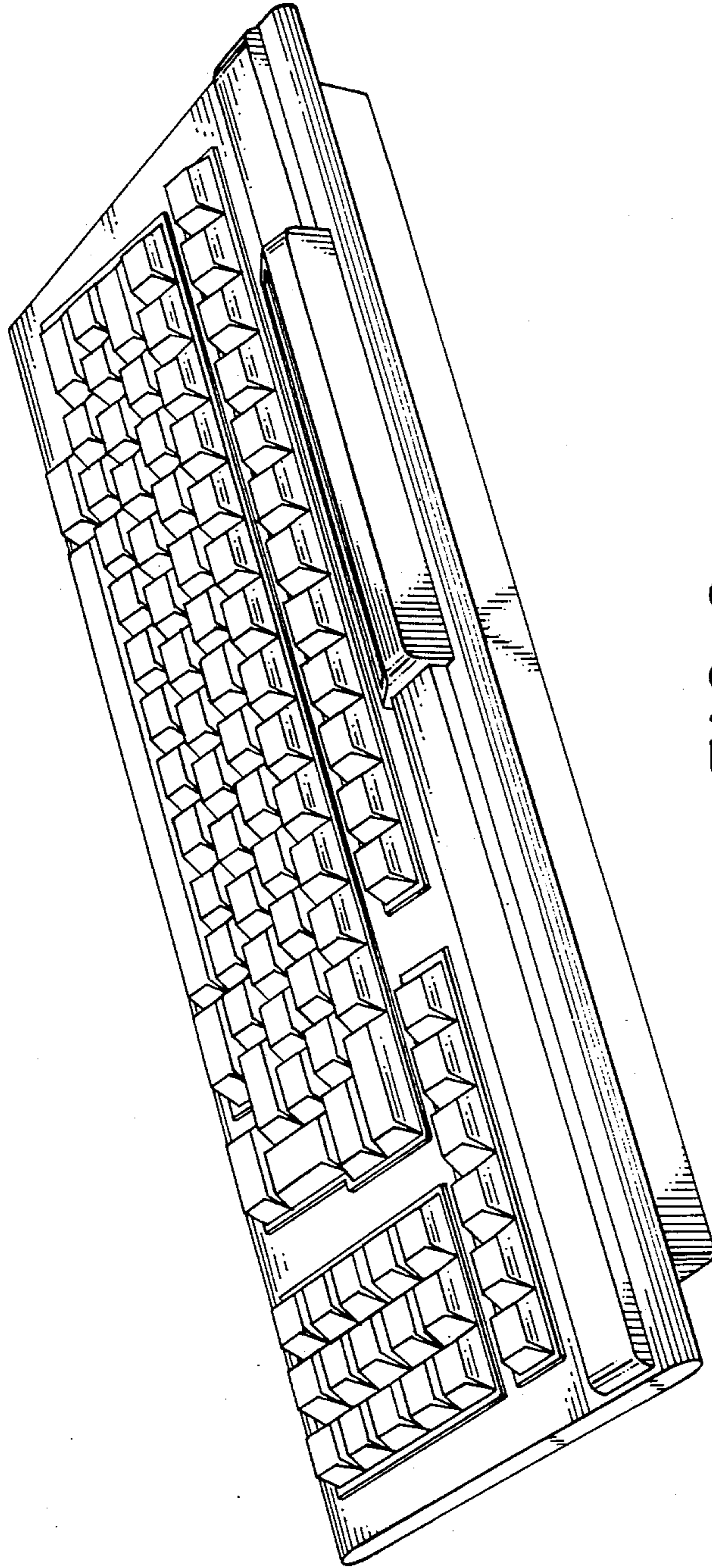


FIG. 2

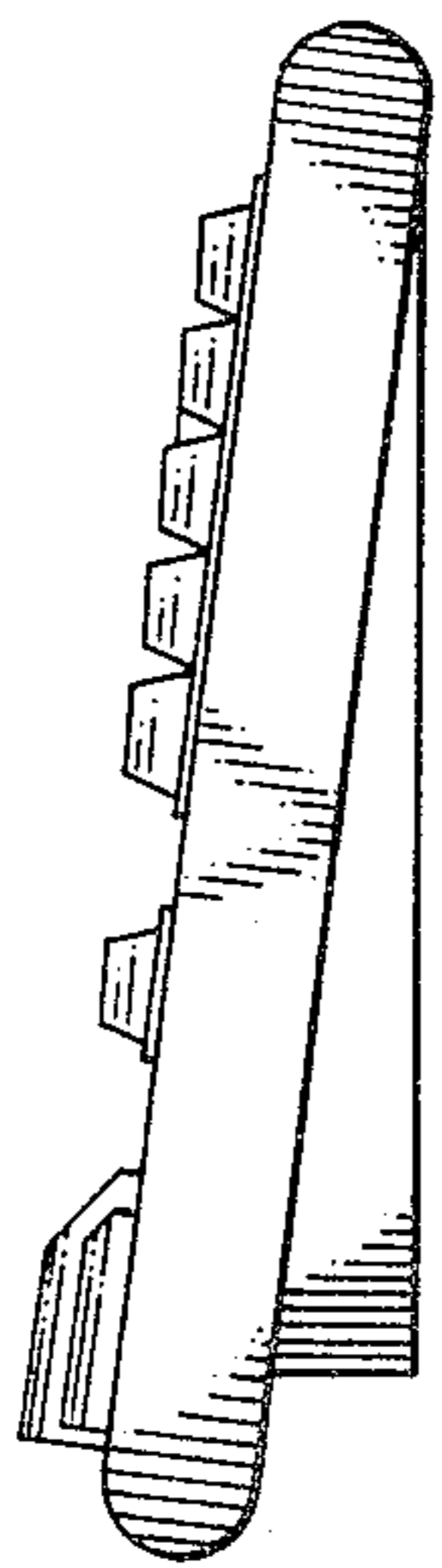


FIG. 3

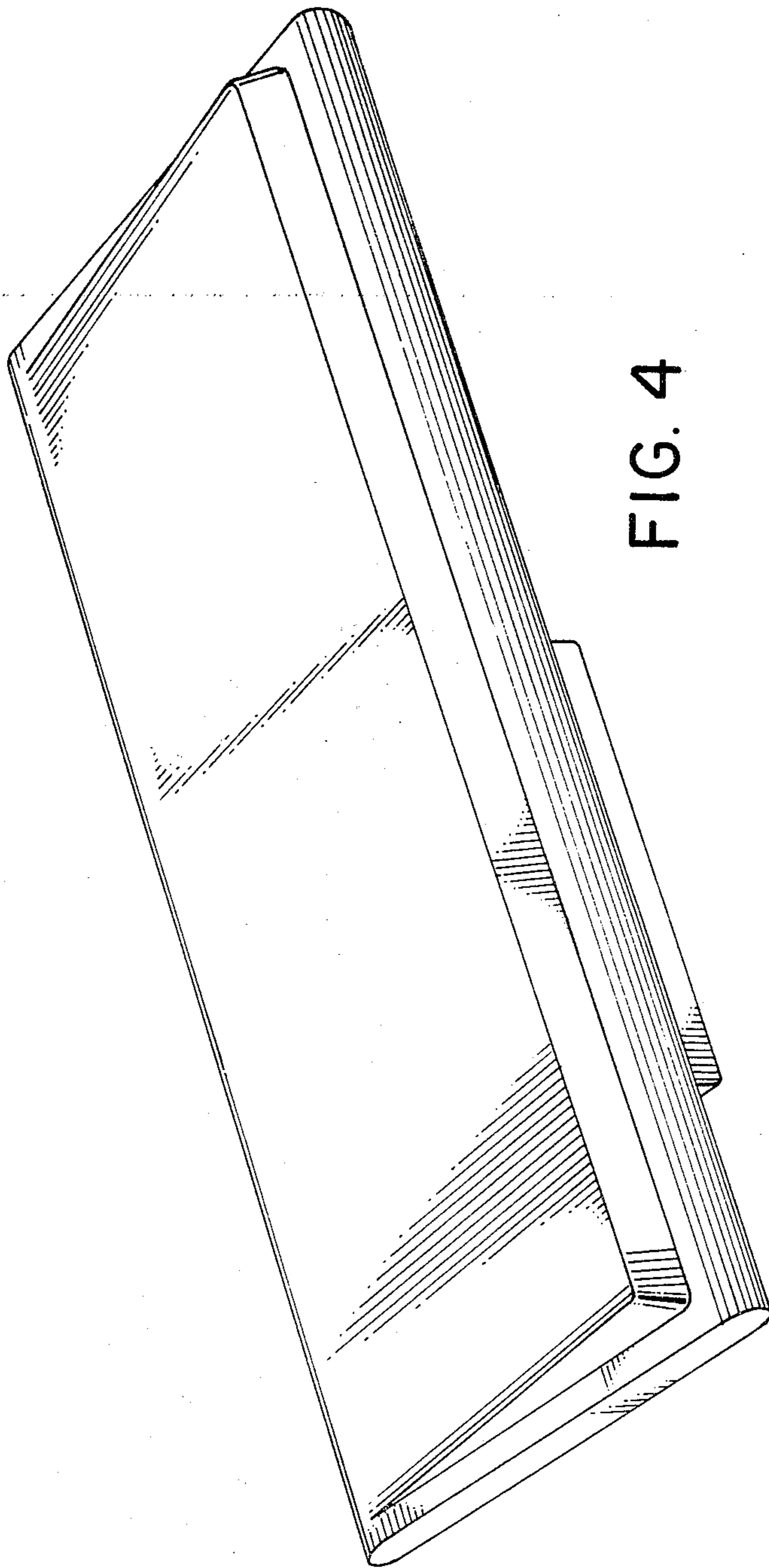


FIG. 4