

United States Patent [19]

Kando

[11] Patent Number: **Des. 286,044**

[45] Date of Patent: **** Oct. 7, 1986**

[54] PAPER DISCHARGING TRAY FOR A FACSIMILE

[75] Inventor: Masahiro Kando, Tokyo, Japan

[73] Assignee: Canon Kabushiki Kaisha, Tokyo, Japan

[**] Term: 14 Years

[21] Appl. No.: 584,019

[22] Filed: Feb. 27, 1984

[30] Foreign Application Priority Data

Aug. 31, 1983 [JP] Japan 58-37923

[52] U.S. Cl. D14/94; D18/12; D18/22

[58] Field of Search D14/94, 1, 99, 111, D14/114; D16/27, 28, 29, 30, 31, 32, 38; D18/12, 22; 358/286

[56] References Cited

U.S. PATENT DOCUMENTS

D. 236,030 7/1975 Stemmler D16/32
D. 246,373 11/1977 Crandell et al. D16/32
D. 269,528 6/1983 Sokolowski D18/22
D. 272,075 1/1984 Martell D18/12

D. 273,868 5/1984 Dorman et al. D14/114
D. 275,677 9/1984 Suzuki et al. D14/94
2,717,687 9/1955 Cereghetti D18/12 X

Primary Examiner—Bernard Ansher
Assistant Examiner—Theodore M. Shooman
Attorney, Agent, or Firm—Fitzpatrick, Cella, Harper & Scinto

[57] CLAIM

The ornamental design for a paper discharging tray for a facsimile, as shown and described.

DESCRIPTION

FIG. 1 is a front elevational view of a paper discharging tray for a facsimile showing my new design; FIG. 2 is a rear elevational view thereof; FIG. 3 is a top plan view thereof; FIG. 4 is a bottom plan view thereof; FIG. 5 is a left side elevational view thereof; FIG. 6 is a right side elevational view thereof; FIG. 7 is a top, rear and side perspective view thereof; and FIG. 8 is a top, front and side perspective view thereof. The broken line showing of the facsimile in FIG. 8 is for illustrative purposes only and forms no part of the claimed design.

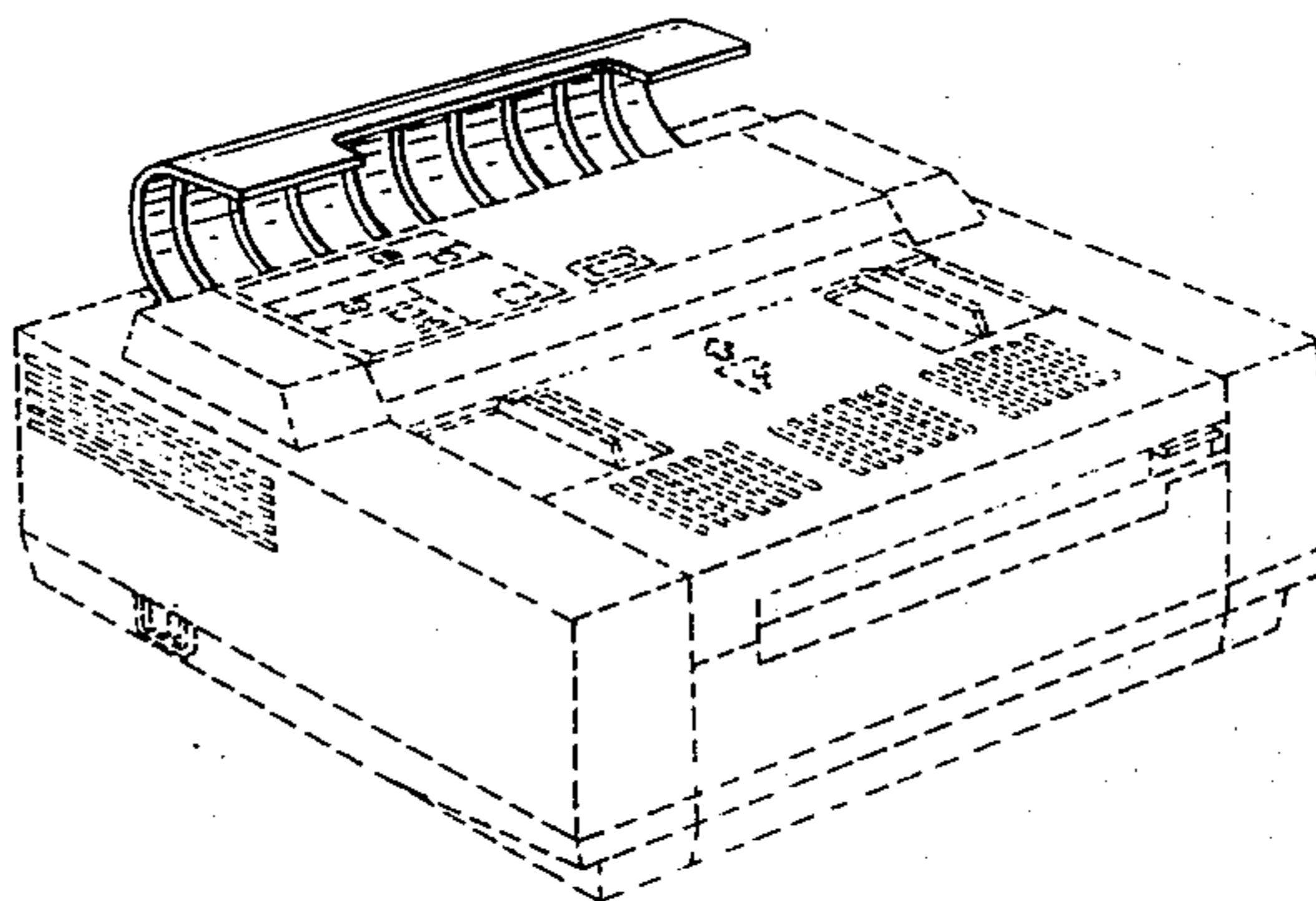
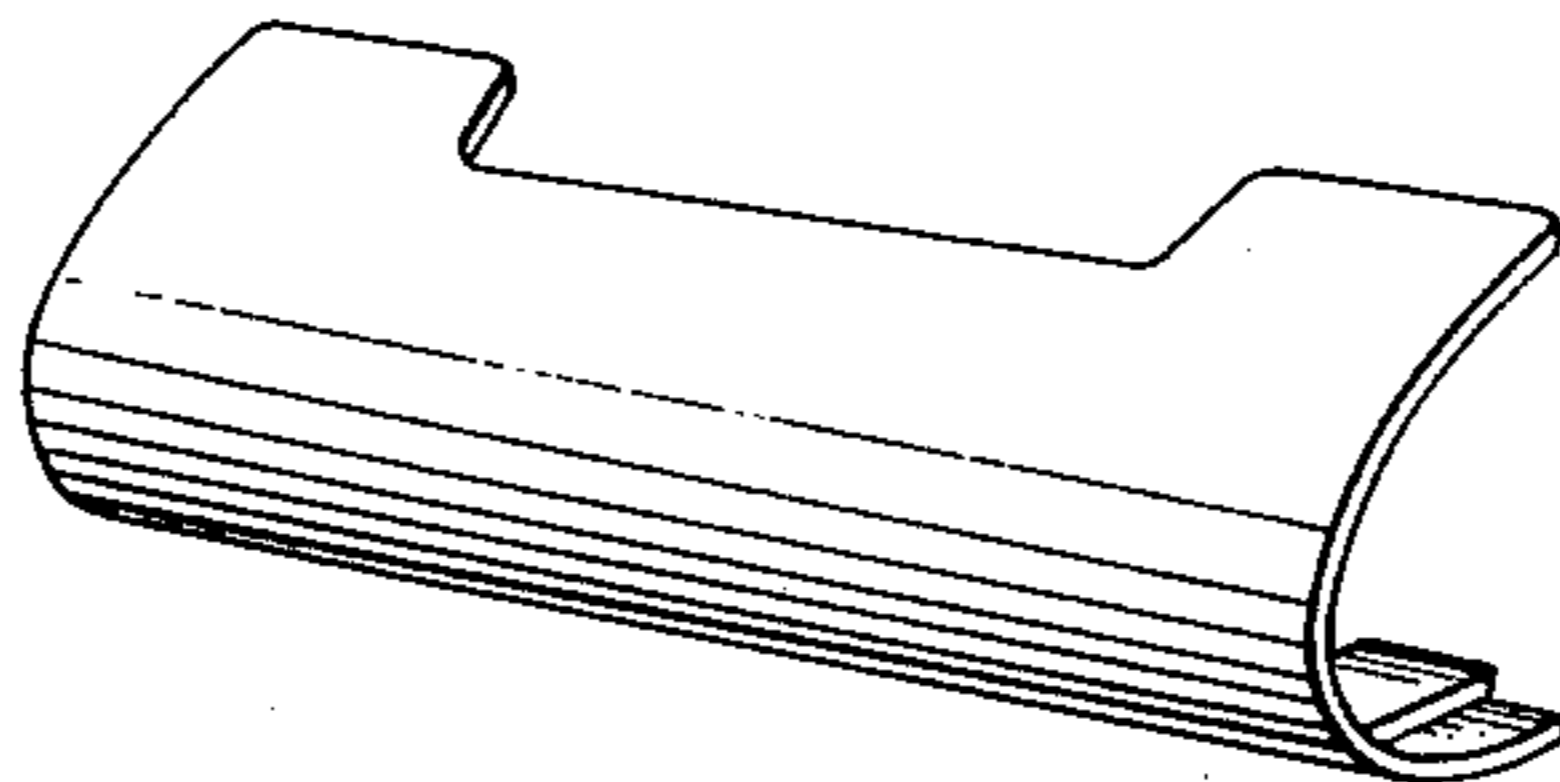


FIG. 1

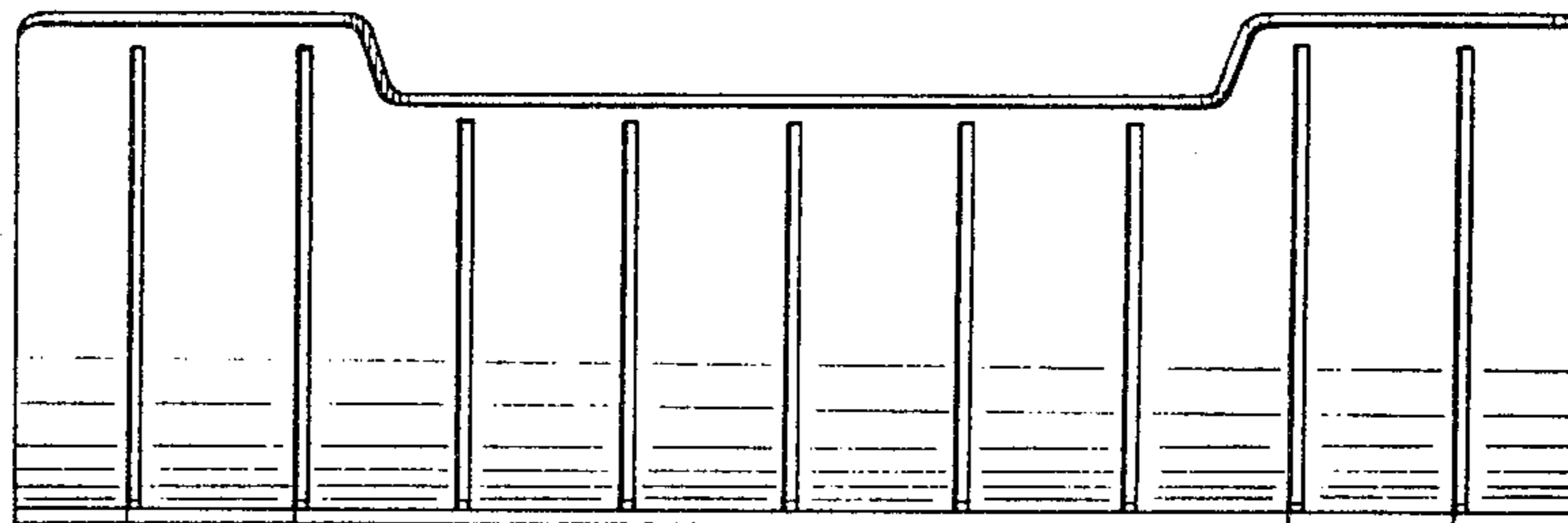


FIG. 2

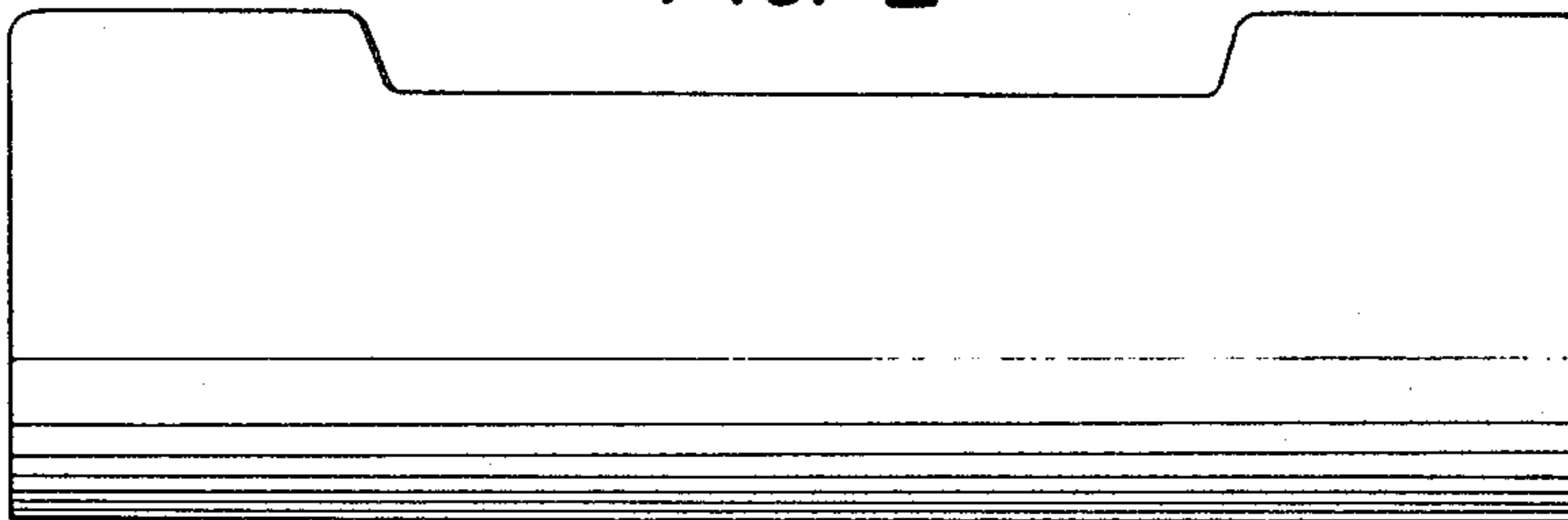


FIG. 3

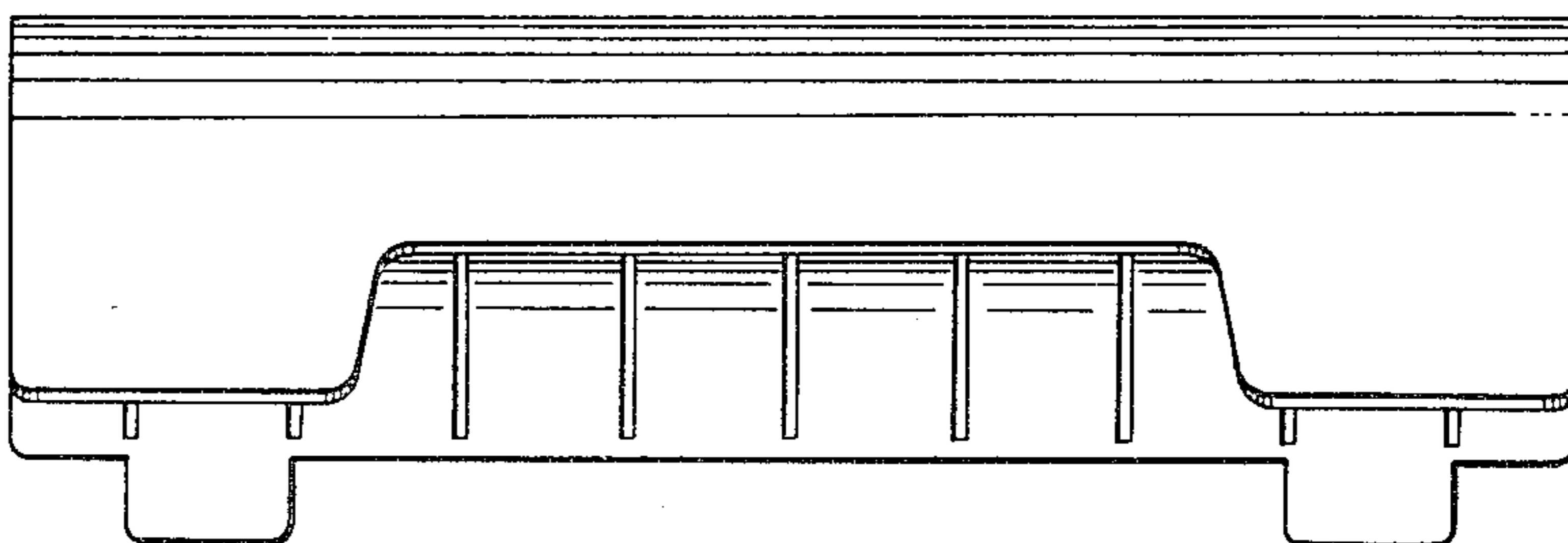


FIG. 4

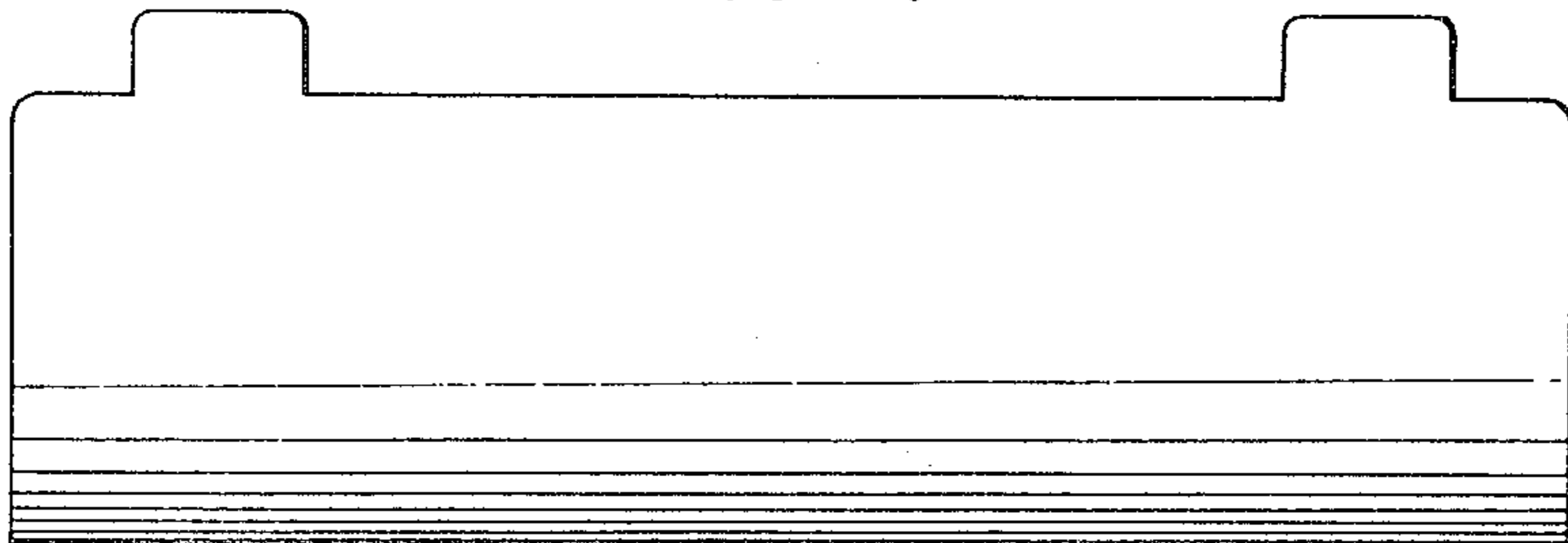


FIG. 5

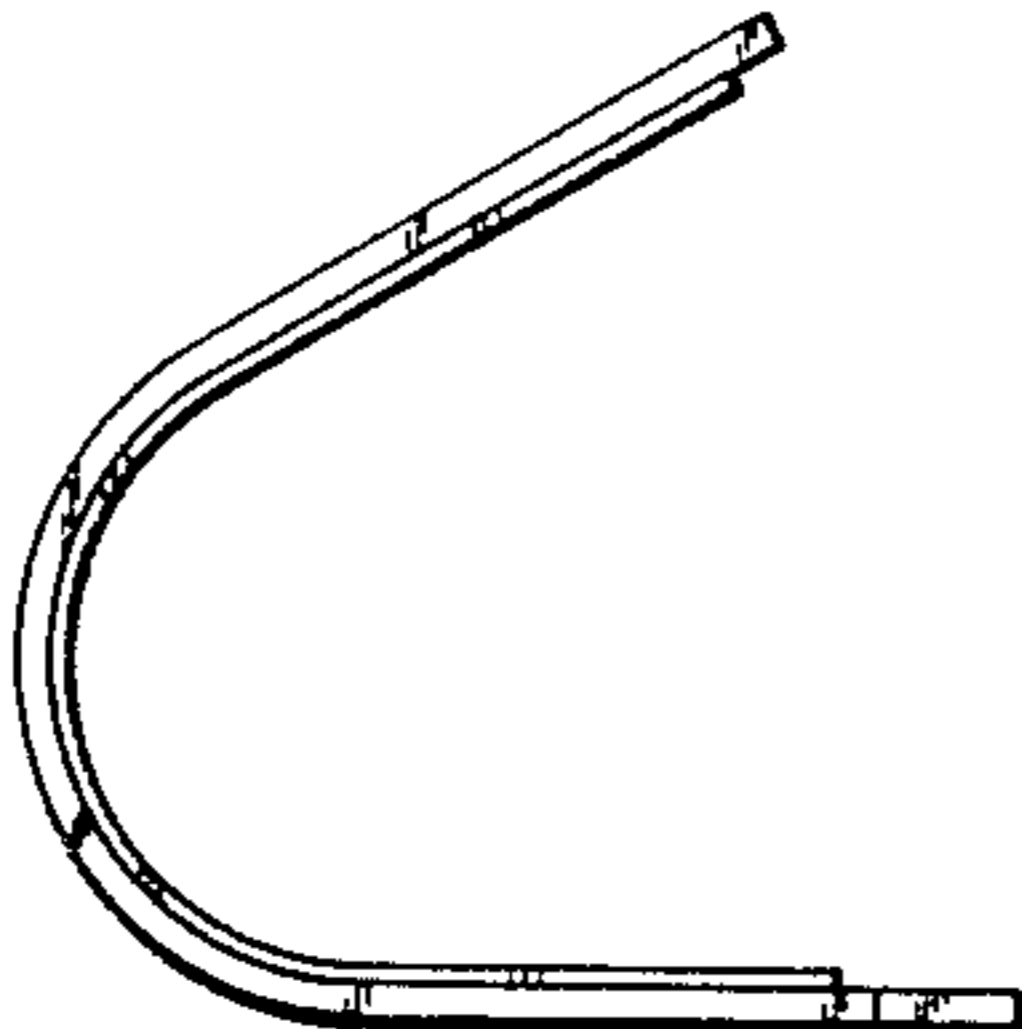


FIG. 6

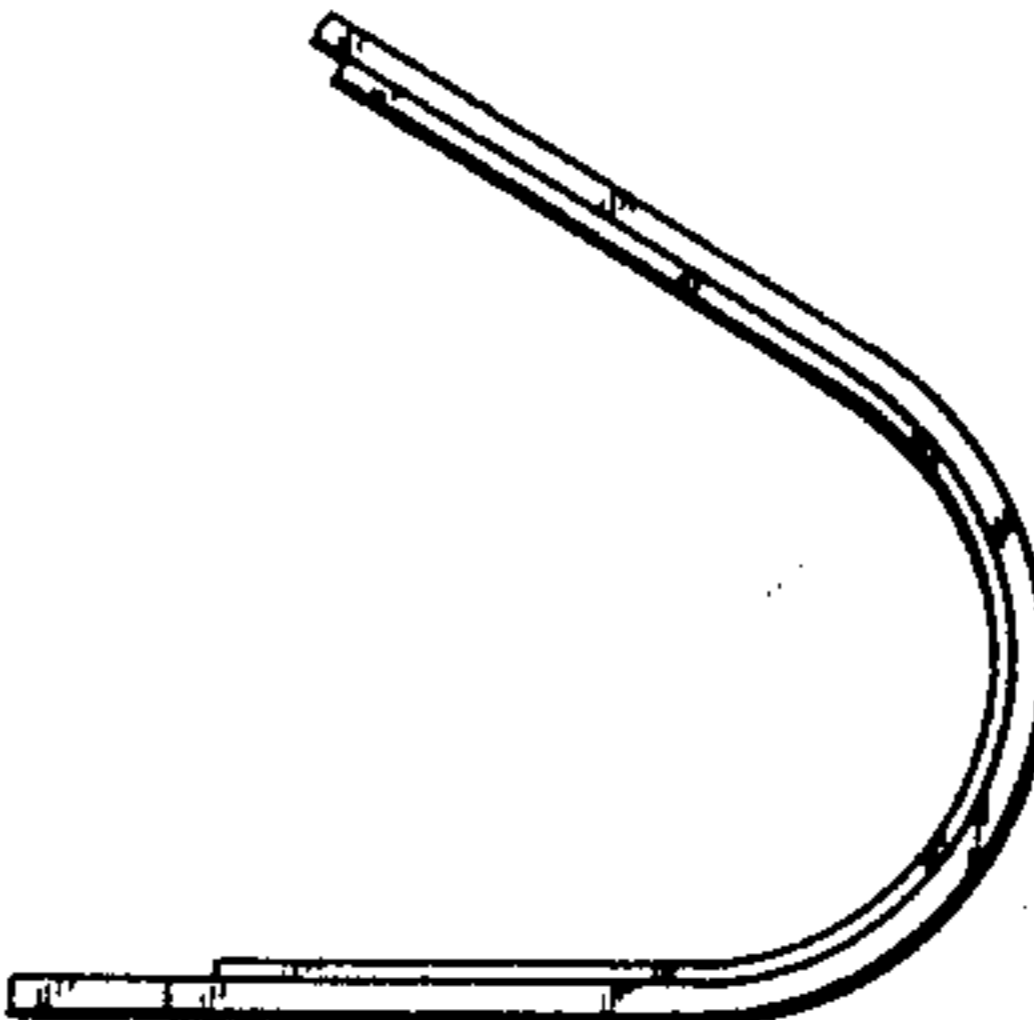


FIG. 7

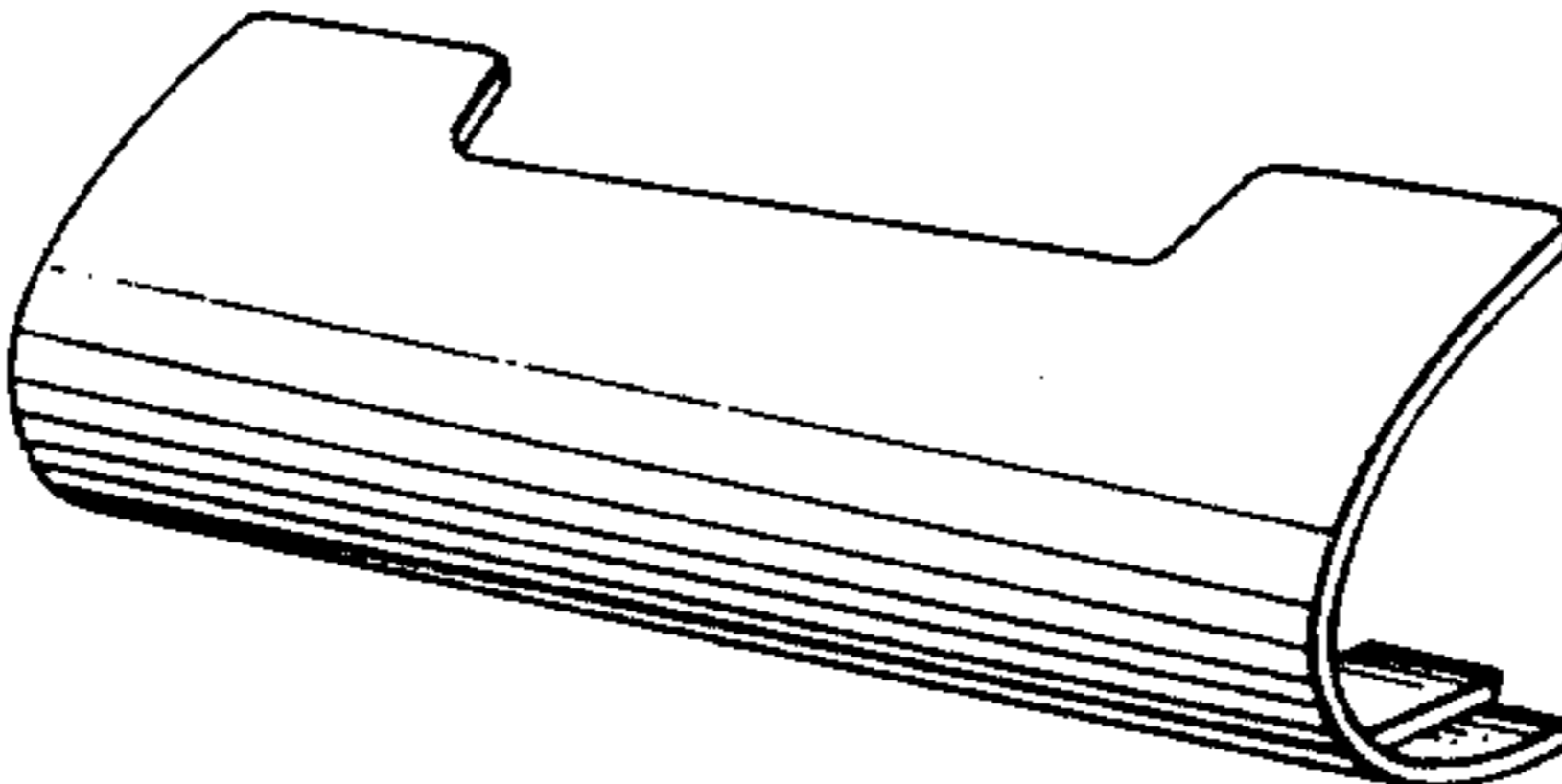


FIG. 8

