

[54] COMBINED ANTENNA ADAPTOR AND LIGHTNING ARRESTER THEREFOR

[76] Inventor: Peter R. Peterson, 8701 Sundale Dr., Silver Spring, Md. 20910

[\*\*] Term: 14 Years

[21] Appl. No.: 582,801

[22] Filed: Feb. 23, 1984

[52] U.S. Cl. .... D14/90; D14/86

[58] Field of Search ..... D14/86, 90, 91; 343/840, 912, 880, 881, 882, 715, 749

[56] References Cited

U.S. PATENT DOCUMENTS

D. 252,616	8/1979	Hosokawa et al. ....	D10/105
D. 261,768	11/1981	Metz .....	D14/91
D. 267,876	2/1983	Malmin .....	D14/90
2,797,413	6/1957	Cone .....	343/715

3,166,751	1/1965	Roll .....	343/749
4,134,120	1/1979	DeLoach et al. ....	343/715
4,504,834	3/1985	Garay et al. ....	343/749

Primary Examiner—Bernard Ansher  
Assistant Examiner—Theodore M. Shooman  
Attorney, Agent, or Firm—Antonelli, Terry & Wands

[57] CLAIM

The ornamental design for a combined antenna adaptor and lightning arrester therefor, as shown.

DESCRIPTION

FIG. 1 is a top, front and side perspective view of a combined antenna adaptor and lightning arrester therefor showing my new design;  
FIG. 2 is a rear elevational view thereof;  
FIG. 3 is a left side elevational view thereof;  
FIG. 4 is a right side elevational view thereof;  
FIG. 5 is a top plan view thereof; and  
FIG. 6 is a bottom plan view thereof.

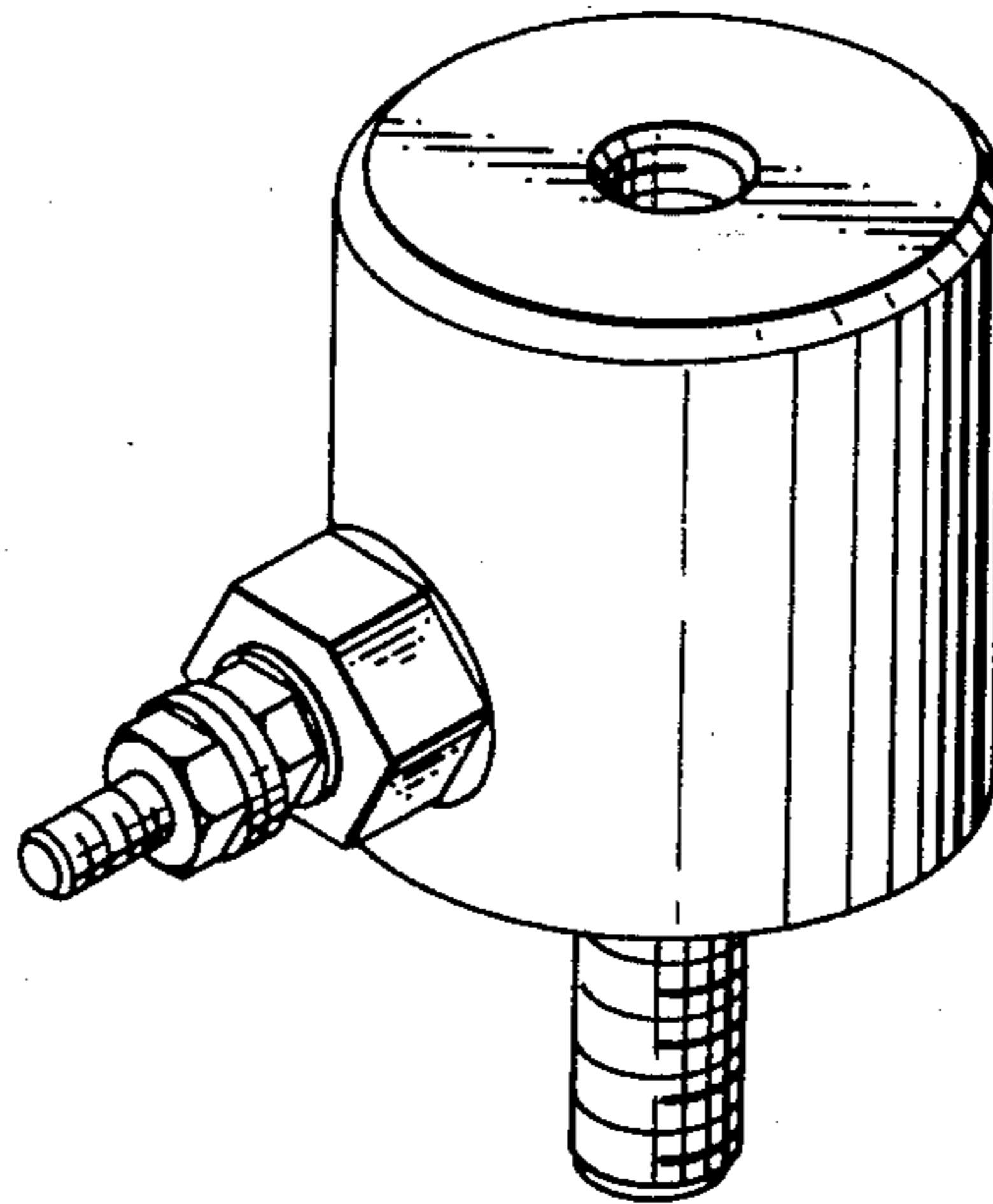


FIG. 1.

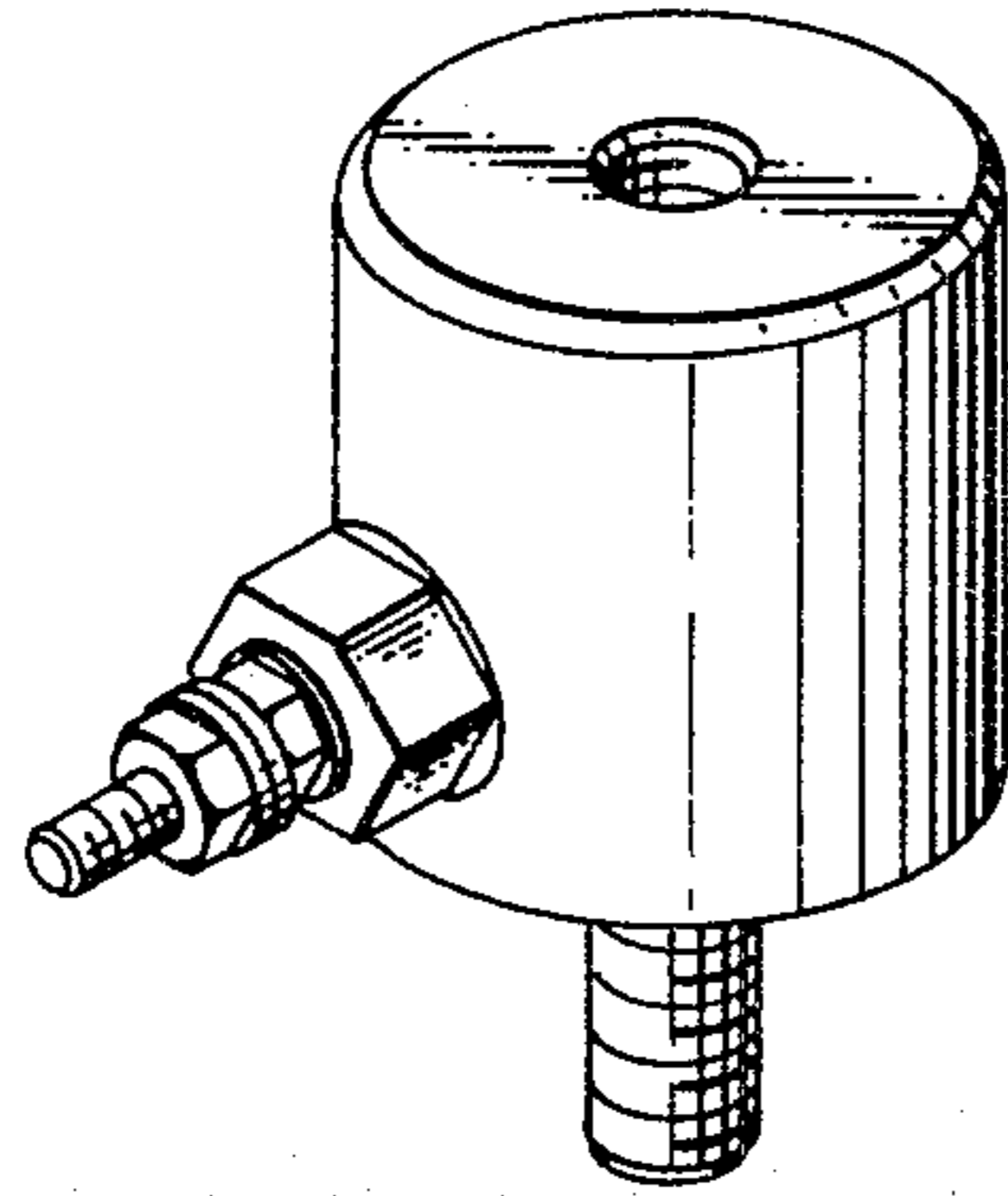


FIG. 2.

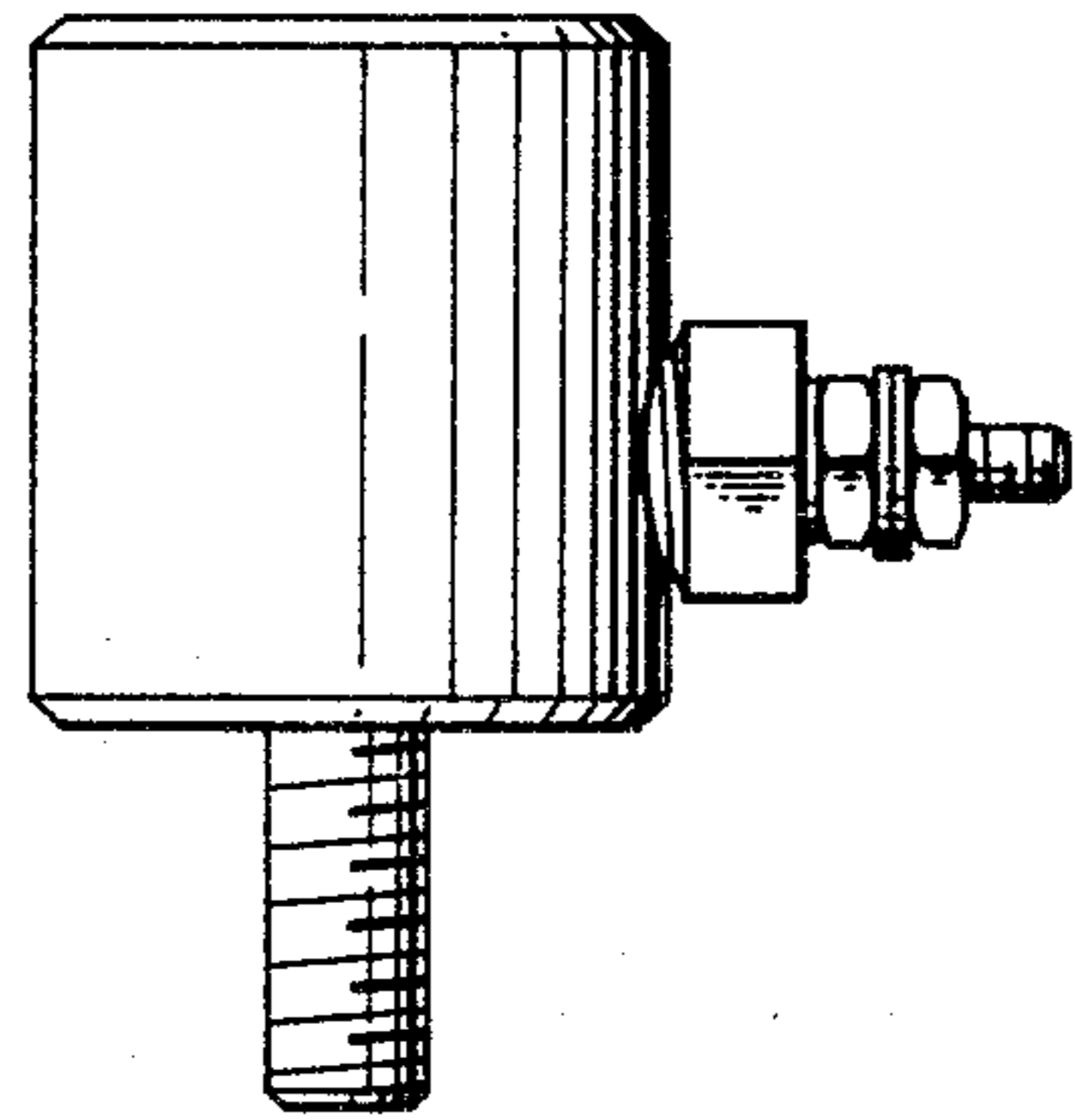


FIG. 3.

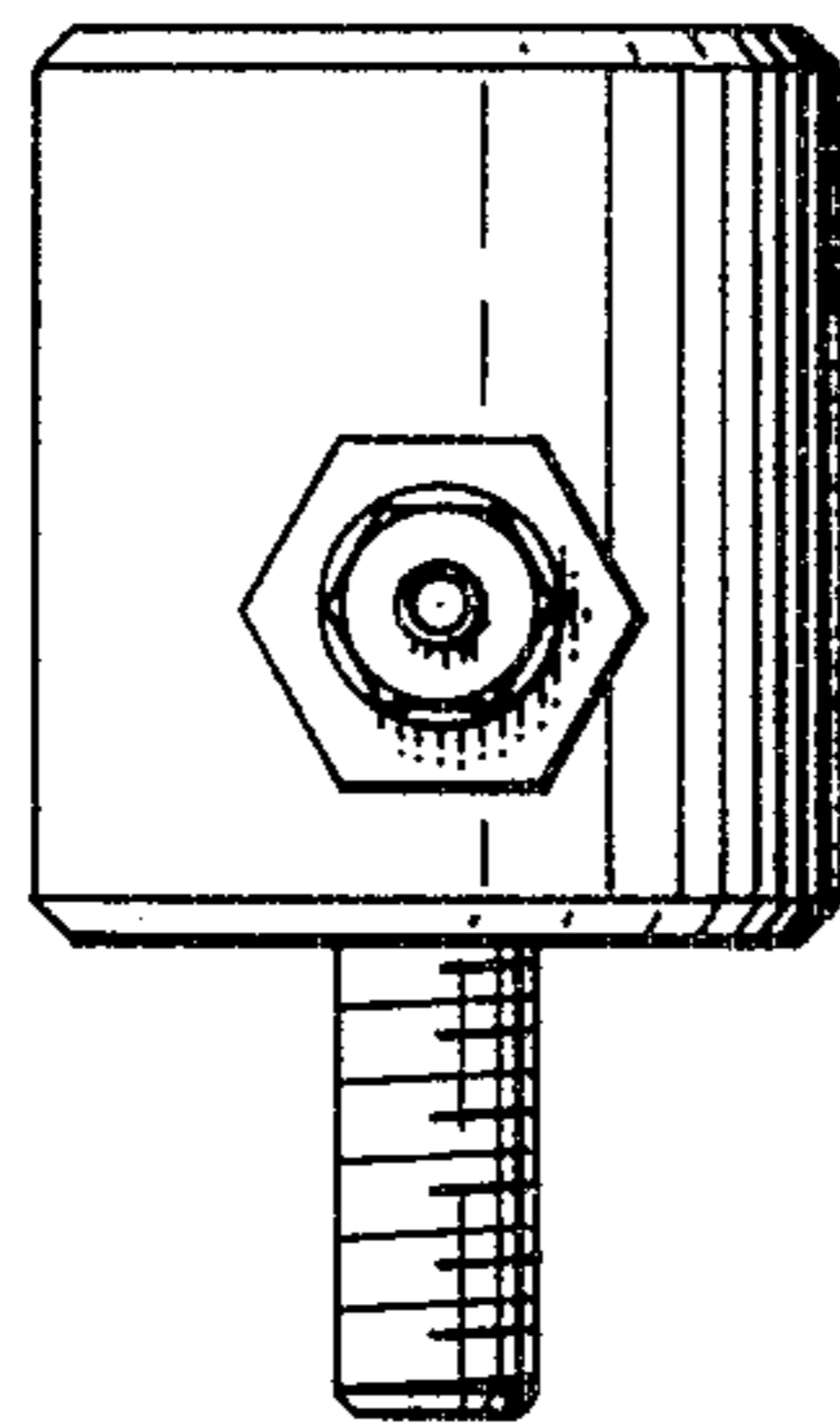


FIG. 4.

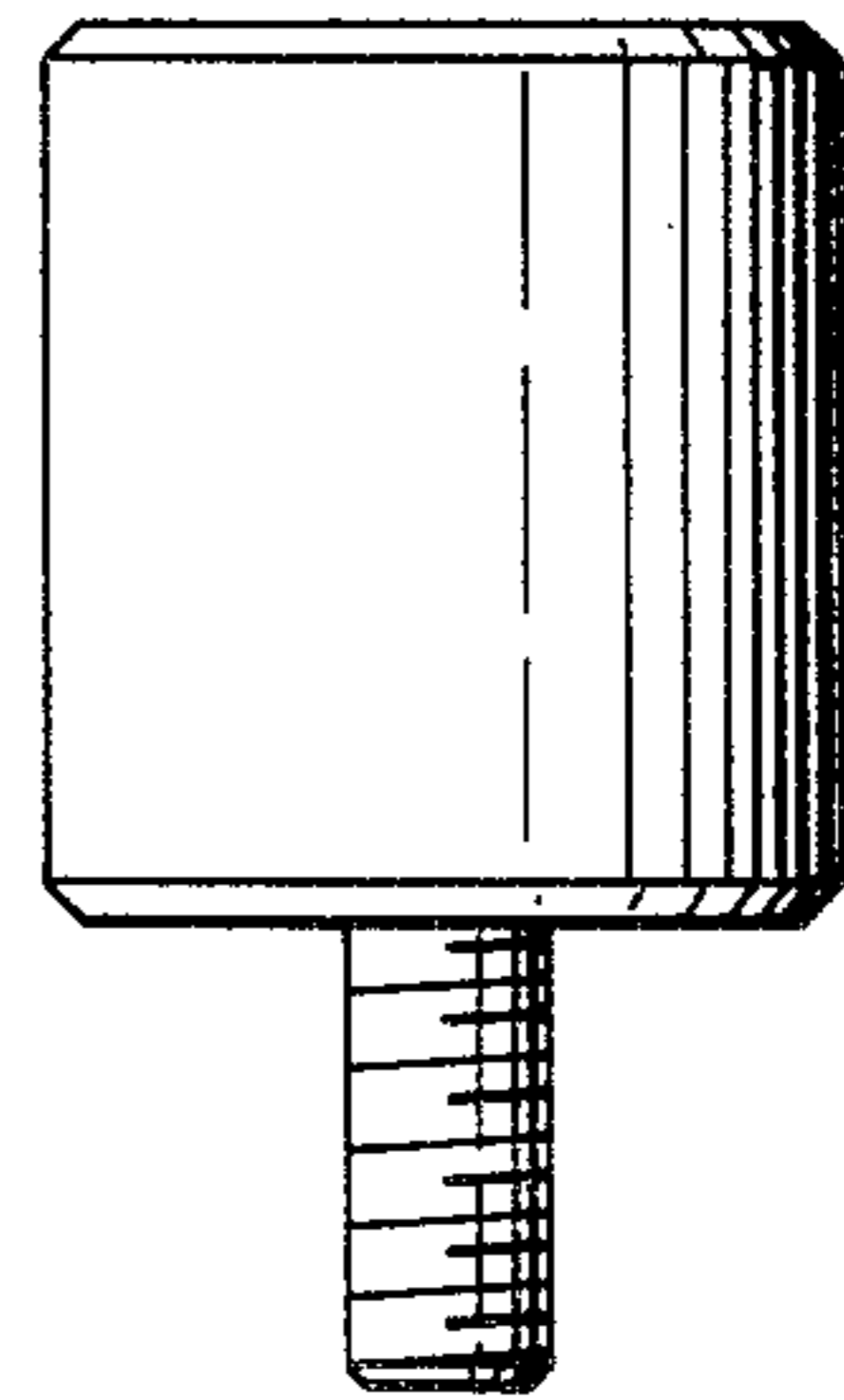


FIG. 5.

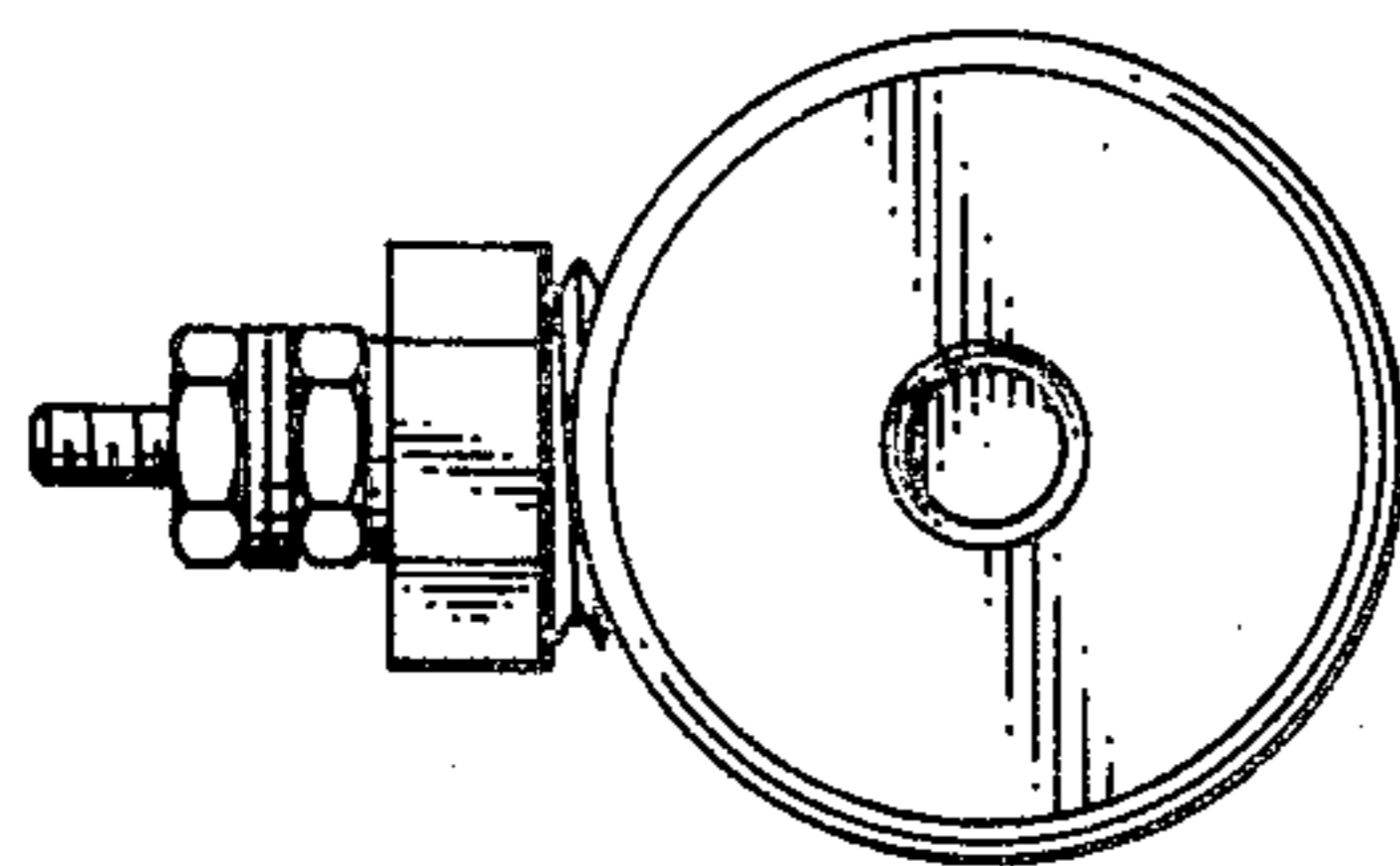


FIG. 6.

