

[54] WHEEL

581716 10/1946 United Kingdom 301/66

[75] Inventor: Hubert Walter, Penzberg, Fed. Rep. of Germany

[73] Assignee: Bayerische Motoren Werke Aktiengesellschaft, Fed. Rep. of Germany

[**] Term: 14 Years

[21] Appl. No.: 478,512

[22] Filed: Mar. 24, 1983

[30] Foreign Application Priority Data

Sep. 24, 1982 [DE] Fed. Rep. of Germany ... MR 13095

[52] U.S. Cl. D12/211

[58] Field of Search D12/205, 209, 211; 301/63 R, 63 PW, 64 R, 64 SD, 65, 66, 73

[56] References Cited

FOREIGN PATENT DOCUMENTS

2452682 1/1976 Fed. Rep. of Germany 301/65

OTHER PUBLICATIONS

Modern Materials Handling, 11/62, P144, Caster Wheel, upper left side of page.

Design News, 4/28/69, P136, Bicycle Wheel, bottom center of page.

Primary Examiner—James M. Gandy
Attorney, Agent, or Firm—Craig & Burns

[57] CLAIM

The ornamental design for a wheel, as shown.

DESCRIPTION

FIG. 1 is a side elevational view of the wheel embodying my novel design;

FIG. 2 is a perspective view thereof;

FIG. 3 is an elevational view of the opposite side of the wheel;

FIG. 4 is a perspective view of the side of the wheel shown in FIG. 3; and

FIG. 5 is an end elevational view thereof.

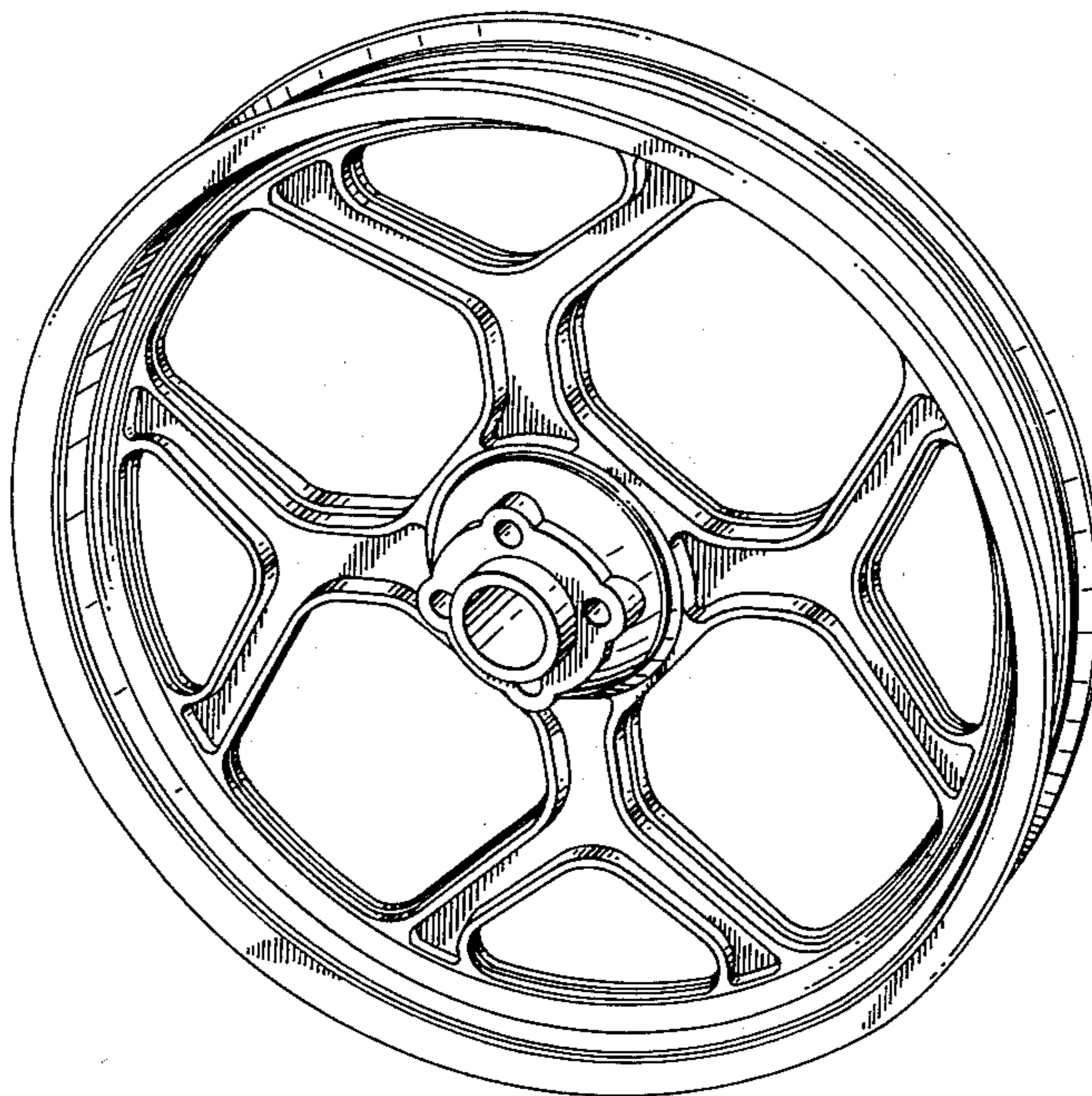
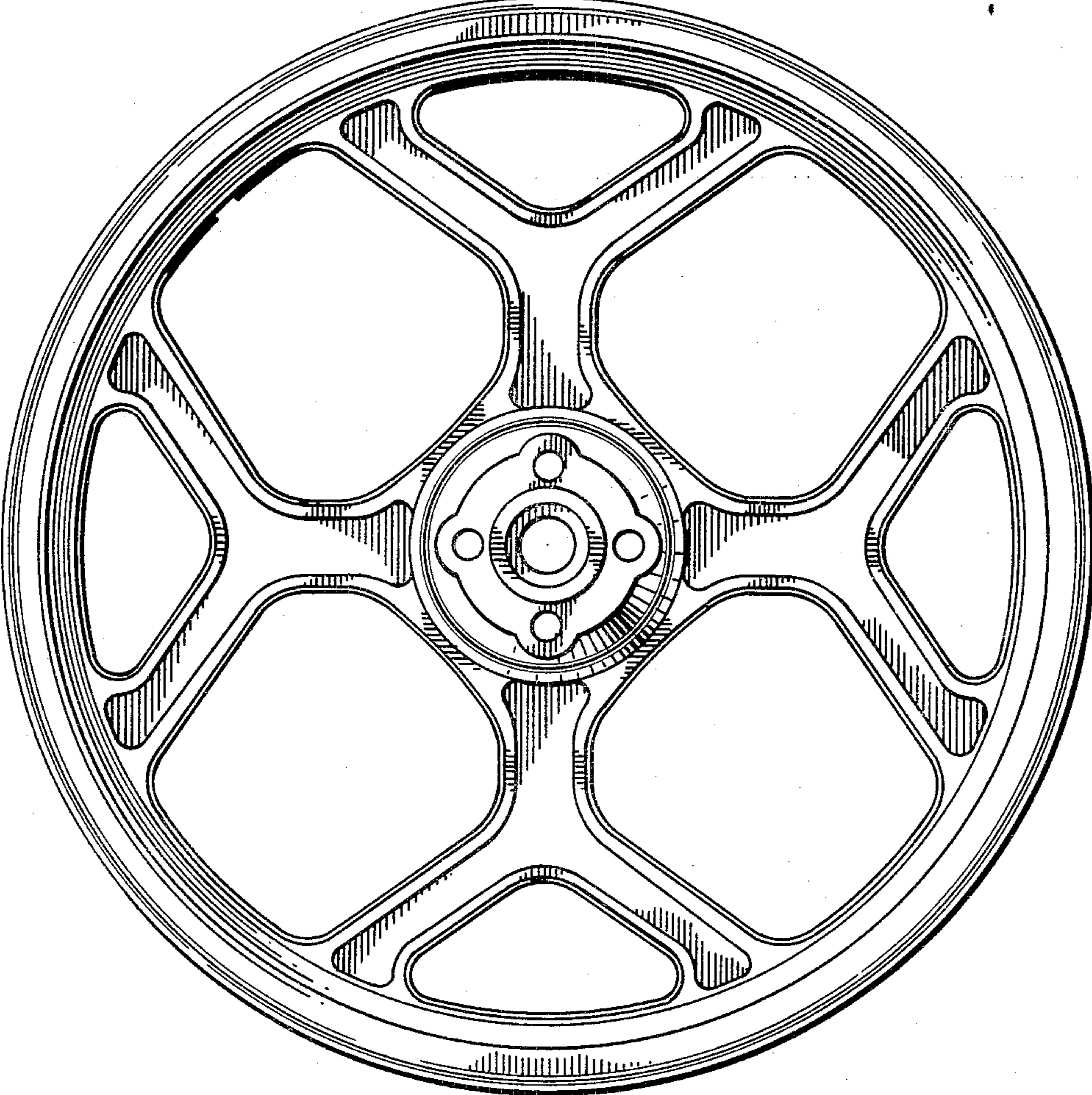


FIG. 1



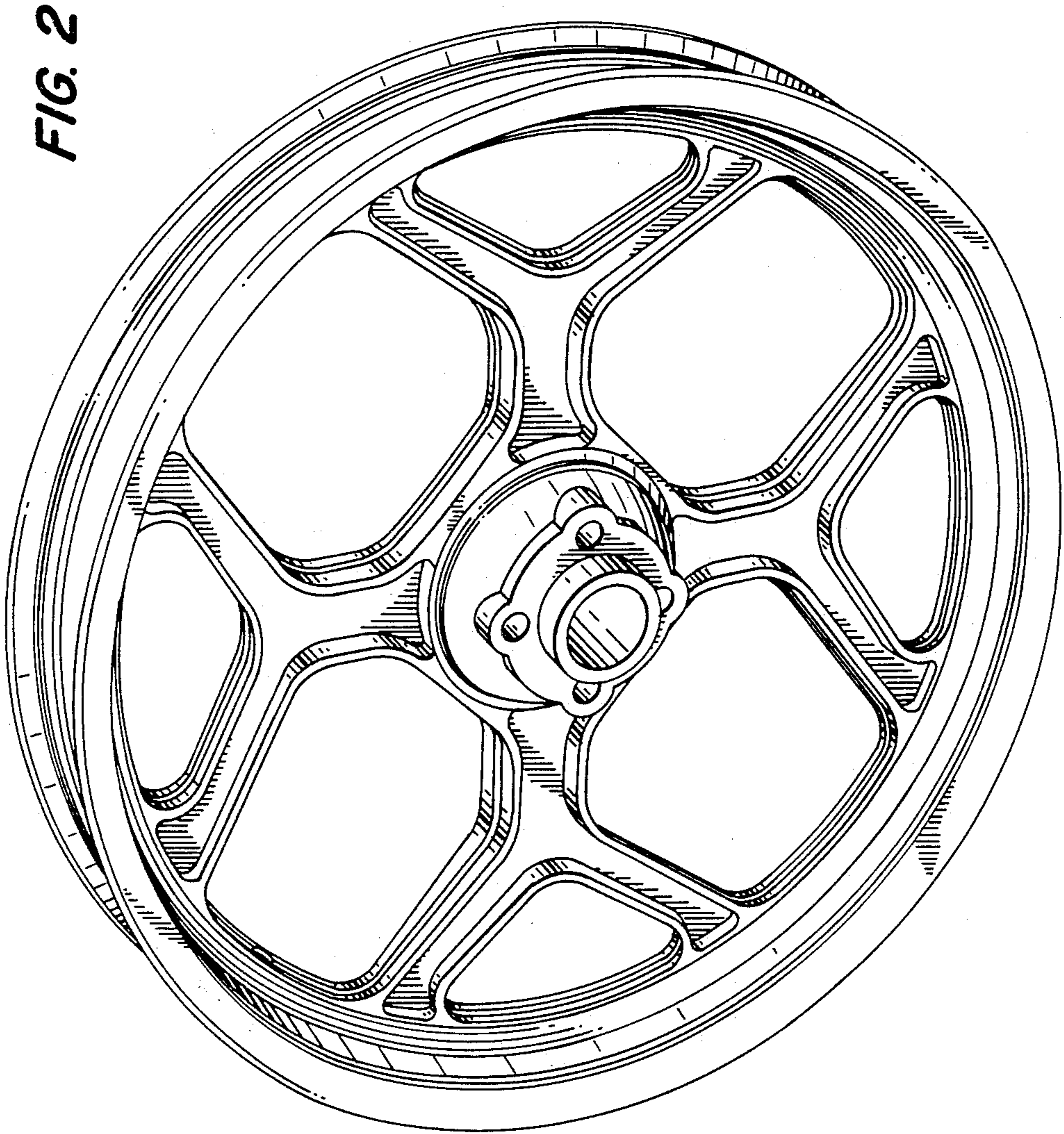
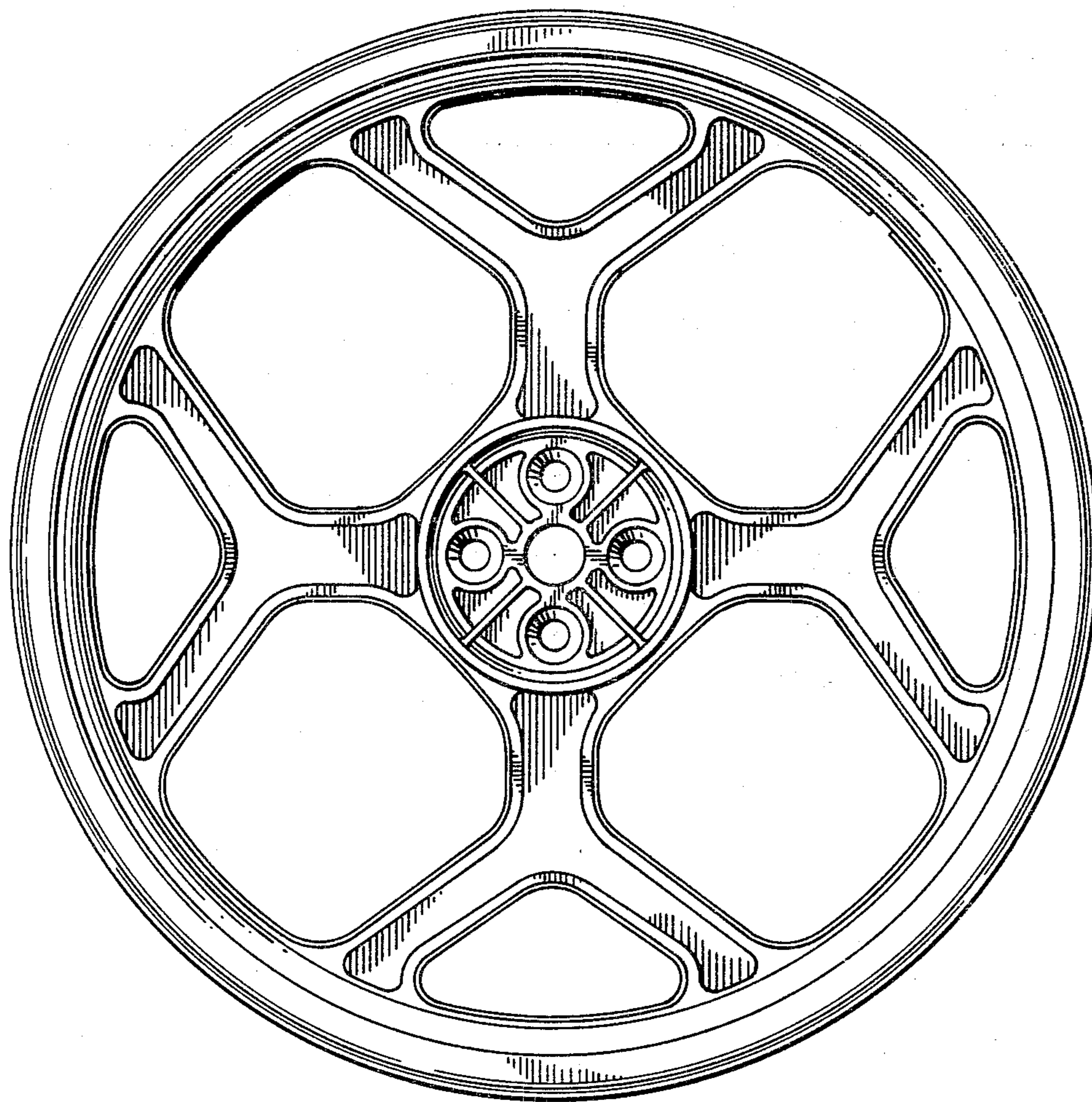


FIG. 3



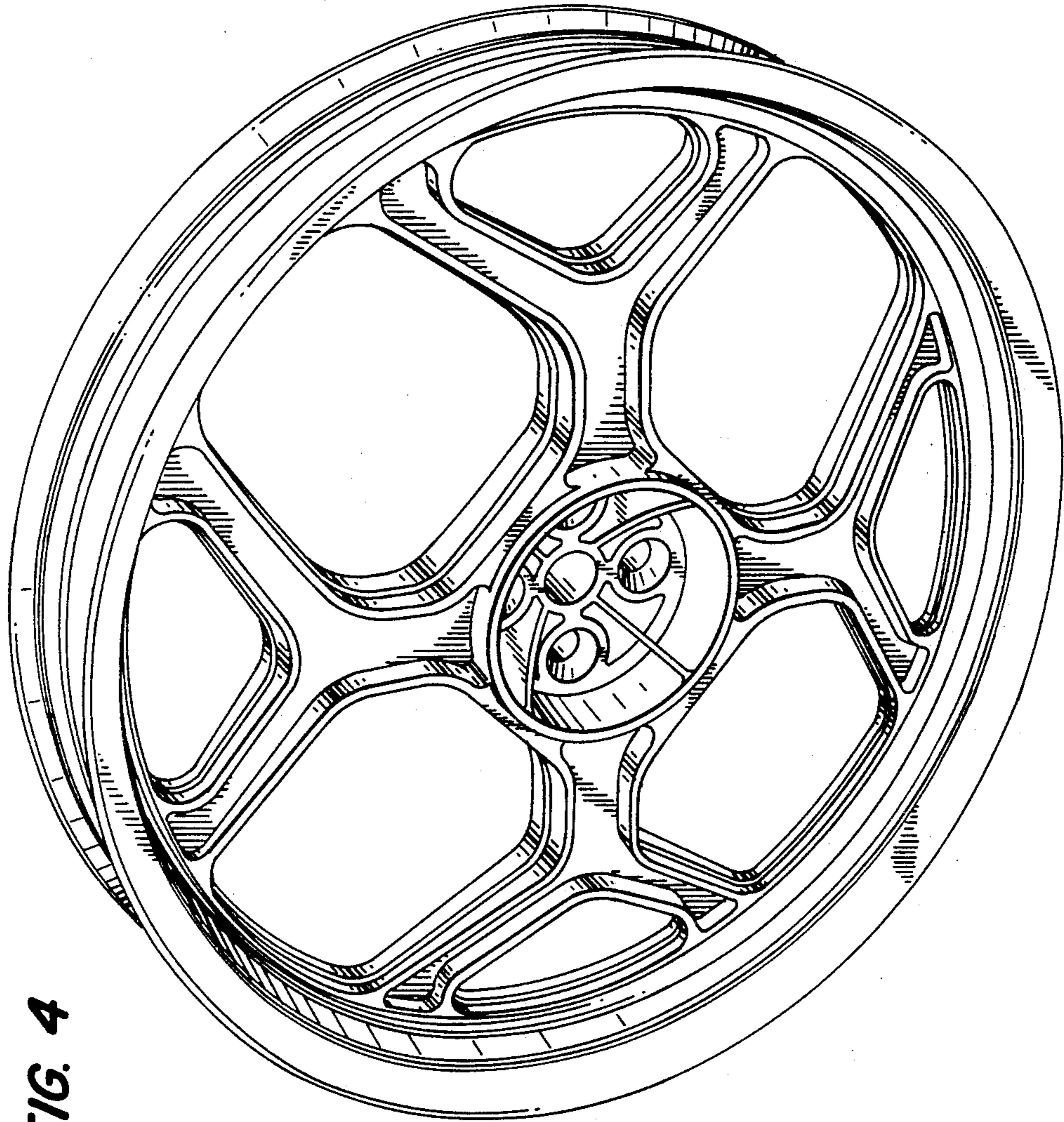


FIG. 4

FIG. 5

