

[54] **MIRROR FOR AUTOMOBILE VISOR**

[75] **Inventor: Eric Langensiepen, New York, N.Y.**

[73] **Assignee: Allison Corporation, Livingston, N.J.**

[**] **Term: 14 Years**

[21] **Appl. No.: 599,267**

[22] **Filed: Apr. 11, 1984**

[52] **U.S. Cl. D12/191; D12/187**

[58] **Field of Search D12/187, 191, 193;
350/600, 606, 631; 296/97 C**

[56] **References Cited**

U.S. PATENT DOCUMENTS

D. 212,083 8/1968 Neale D12/187
2,097,419 10/1937 Schmidt D12/187

FOREIGN PATENT DOCUMENTS

7529948 4/1976 France 350/631

OTHER PUBLICATIONS

J. C. Whitney Catalog No. 433B, ©1983, p. 111, Extra Large Rear View Mirror, center left side of page.

Primary Examiner—James M. Gandy
Attorney, Agent, or Firm—Abraham Friedman

[57] **CLAIM**

The ornamental design for a mirror for automobile visor, as shown and described.

DESCRIPTION

FIG. 1 is a perspective view of a mirror for automobile visor showing my new design, it being understood that the broken lines are for illustrative purposes only.

FIG. 2 is a bottom plan view thereof;

FIG. 3 is a side elevational view thereof, the opposite side being a mirror image of that shown;

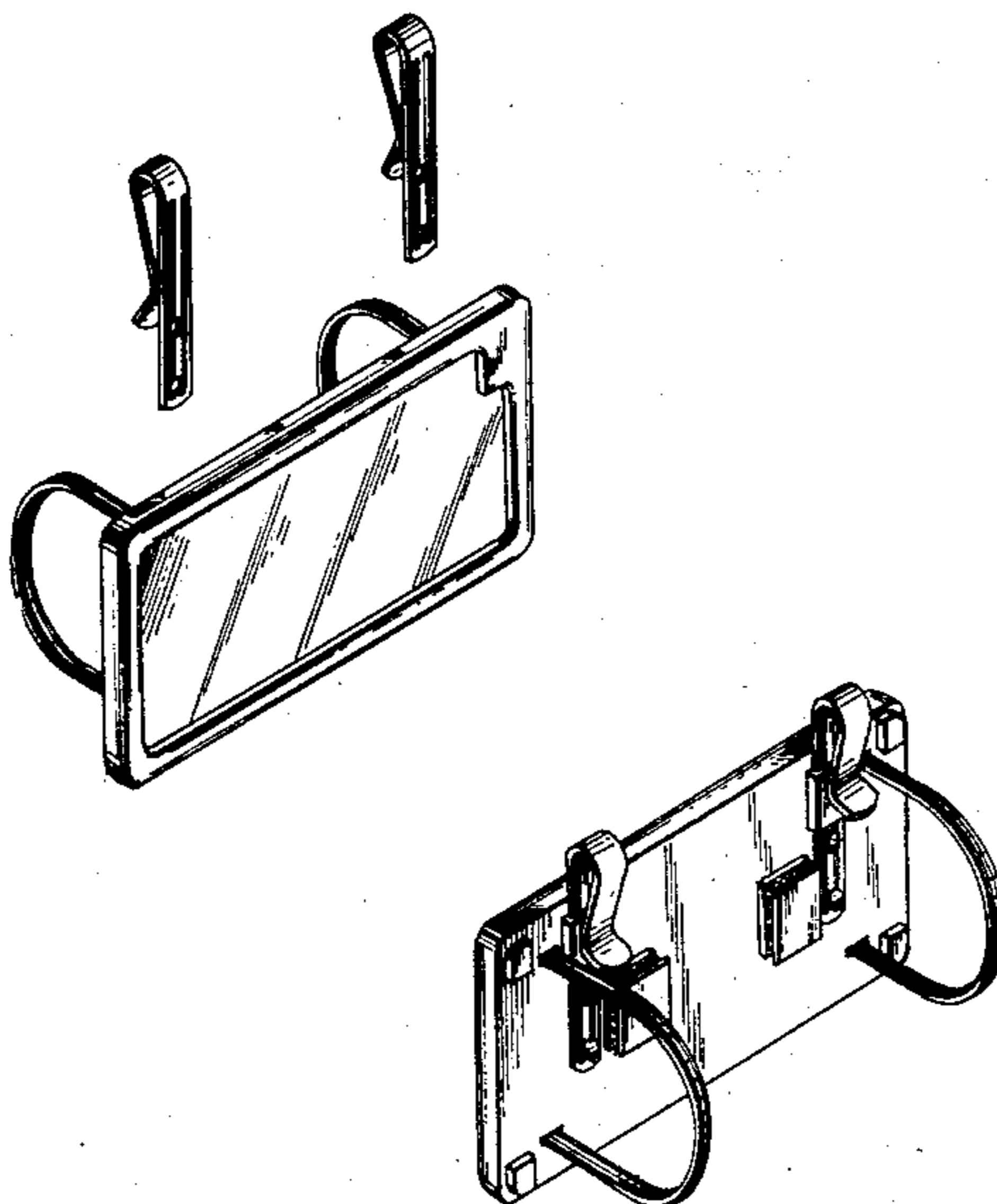
FIG. 4 is a rear elevational view thereof;

FIG. 5 is a top plan view thereof;

FIG. 6 is a front perspective view thereof showing a pair of mounting clips therefor in exploded condition; and

FIG. 7 is a rear perspective view thereof showing the mounting clips in position.

The mounting clips have been omitted in FIGS. 1 thru 5 for convenience of illustration.



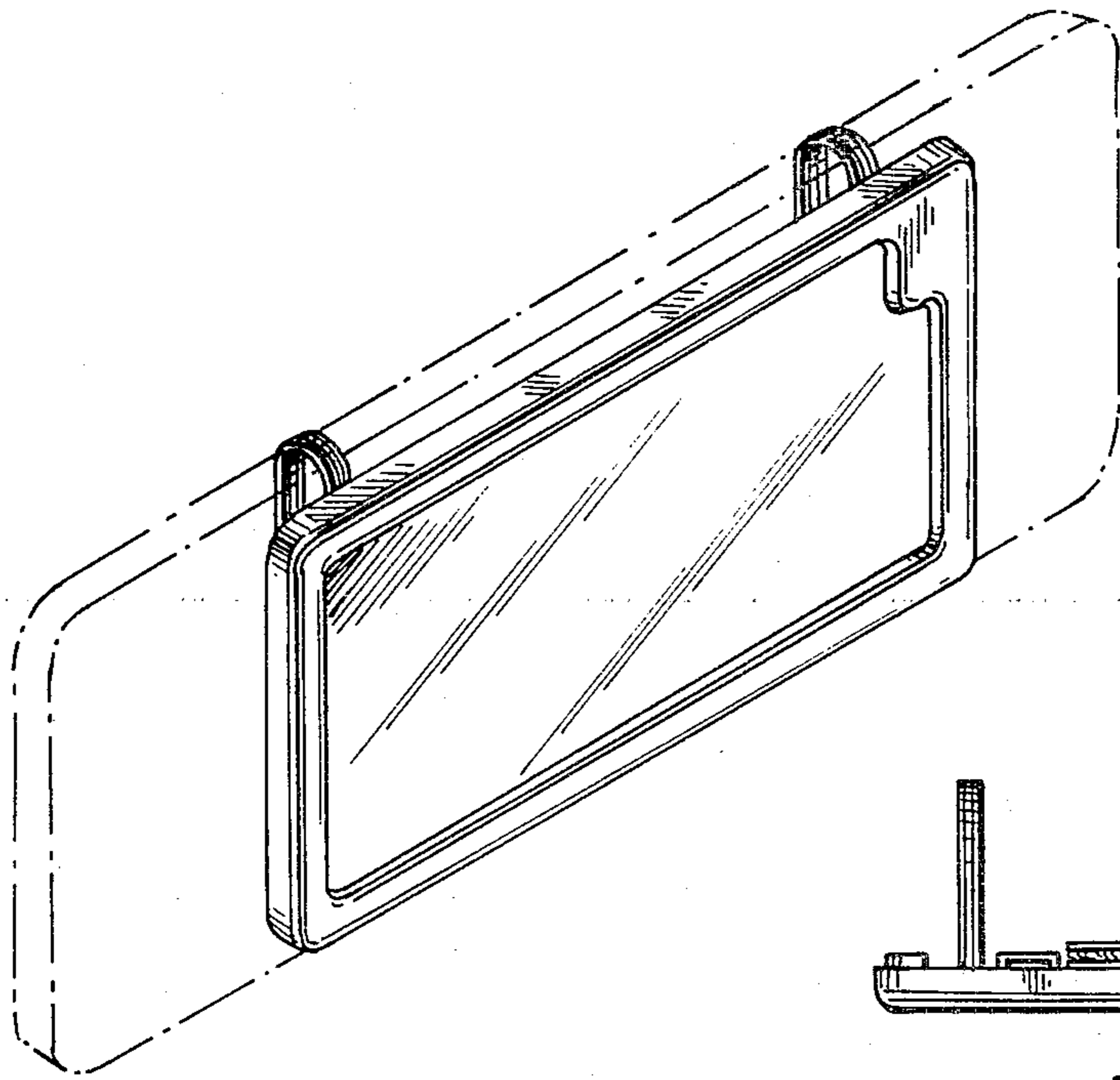


FIG. 1

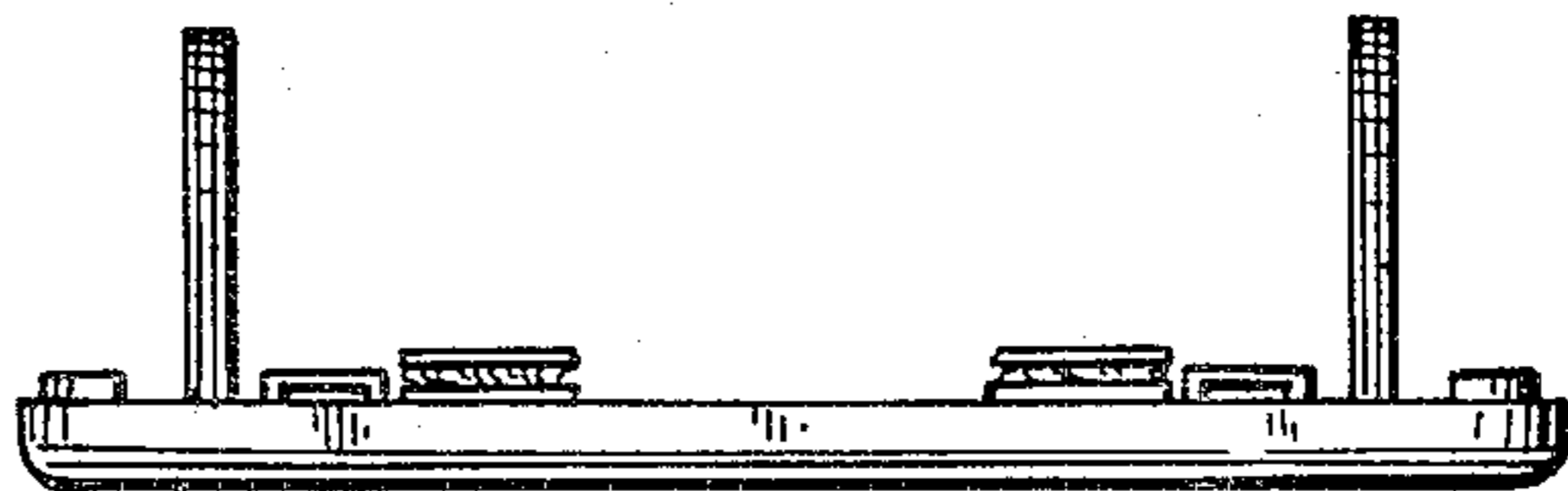


FIG. 2

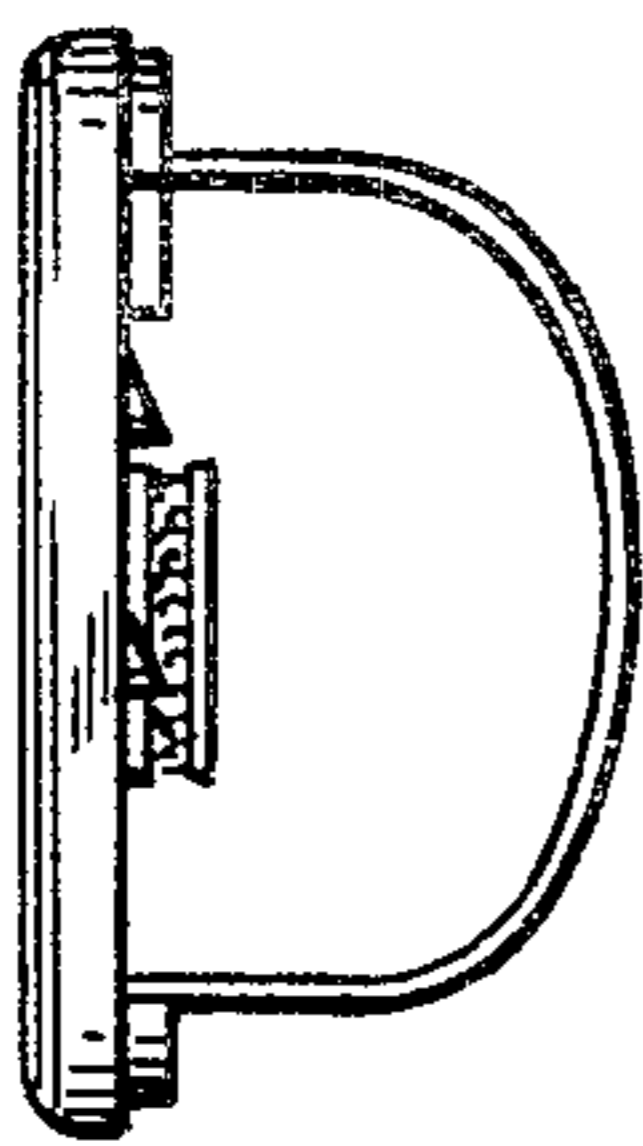


FIG. 3

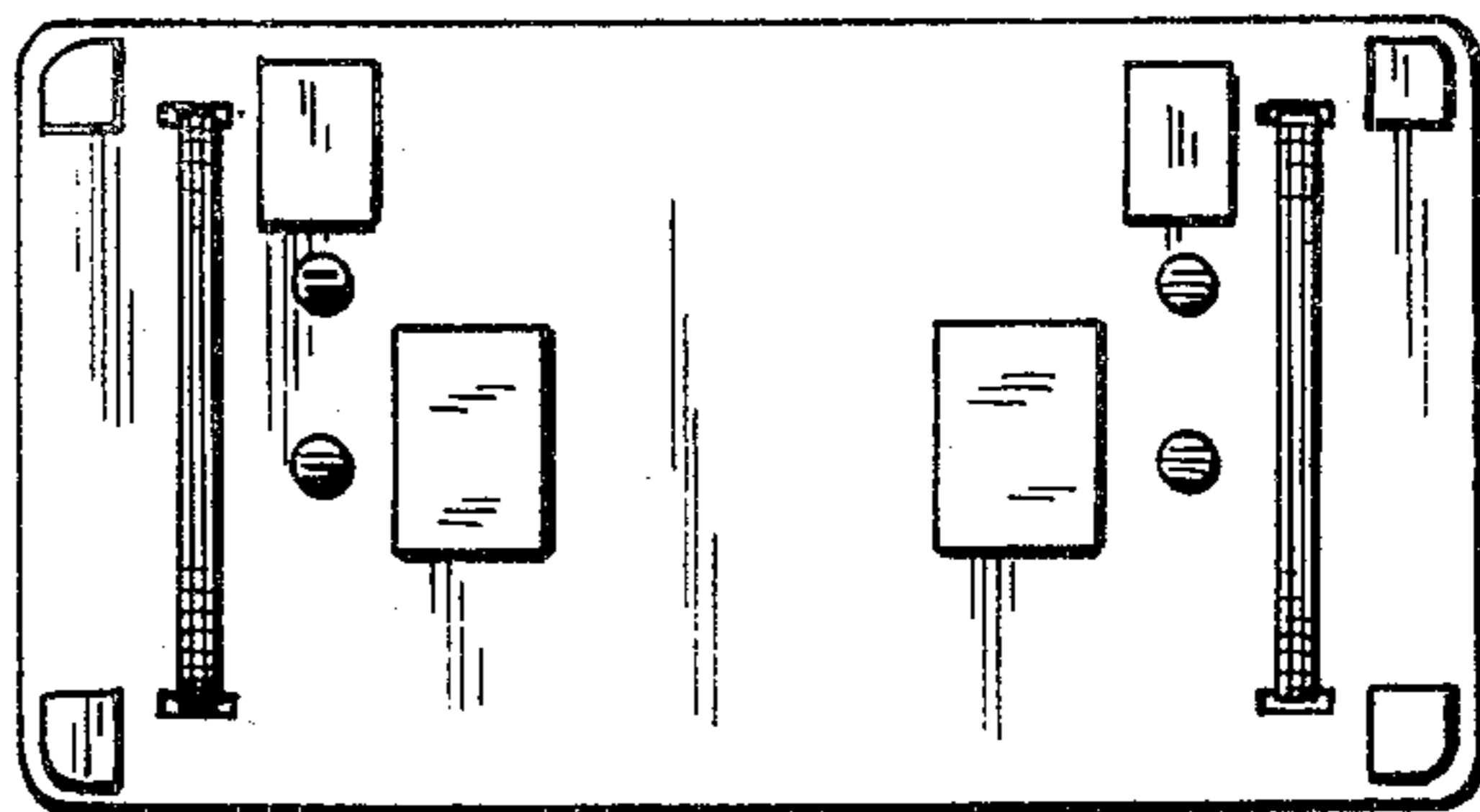


FIG. 4

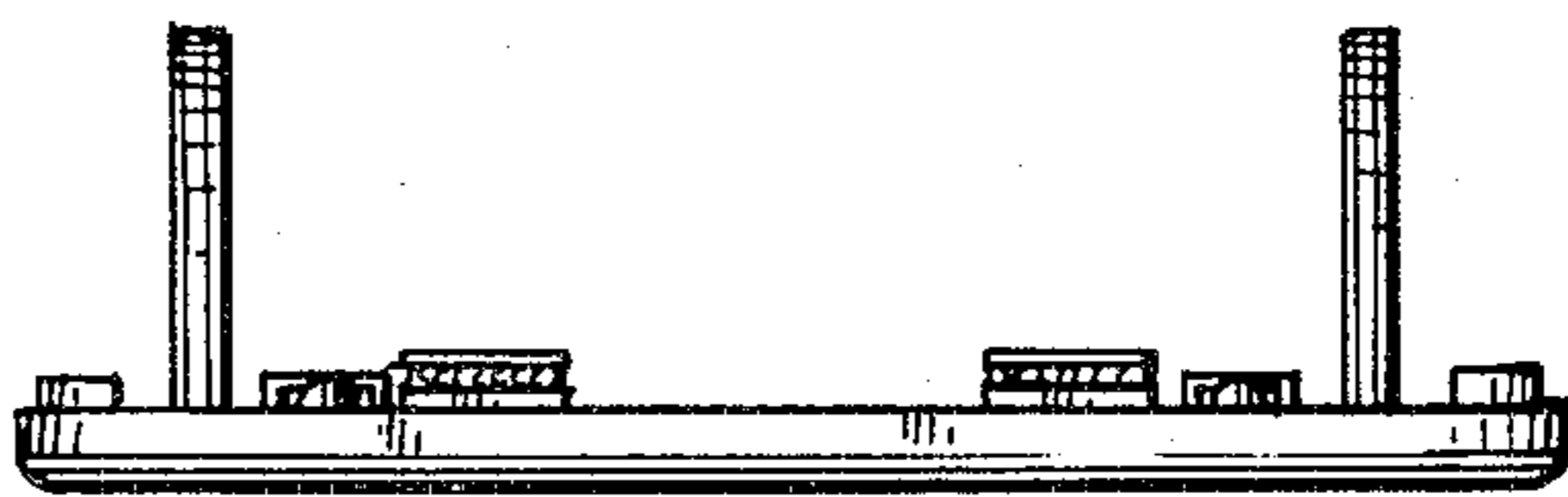


FIG. 5

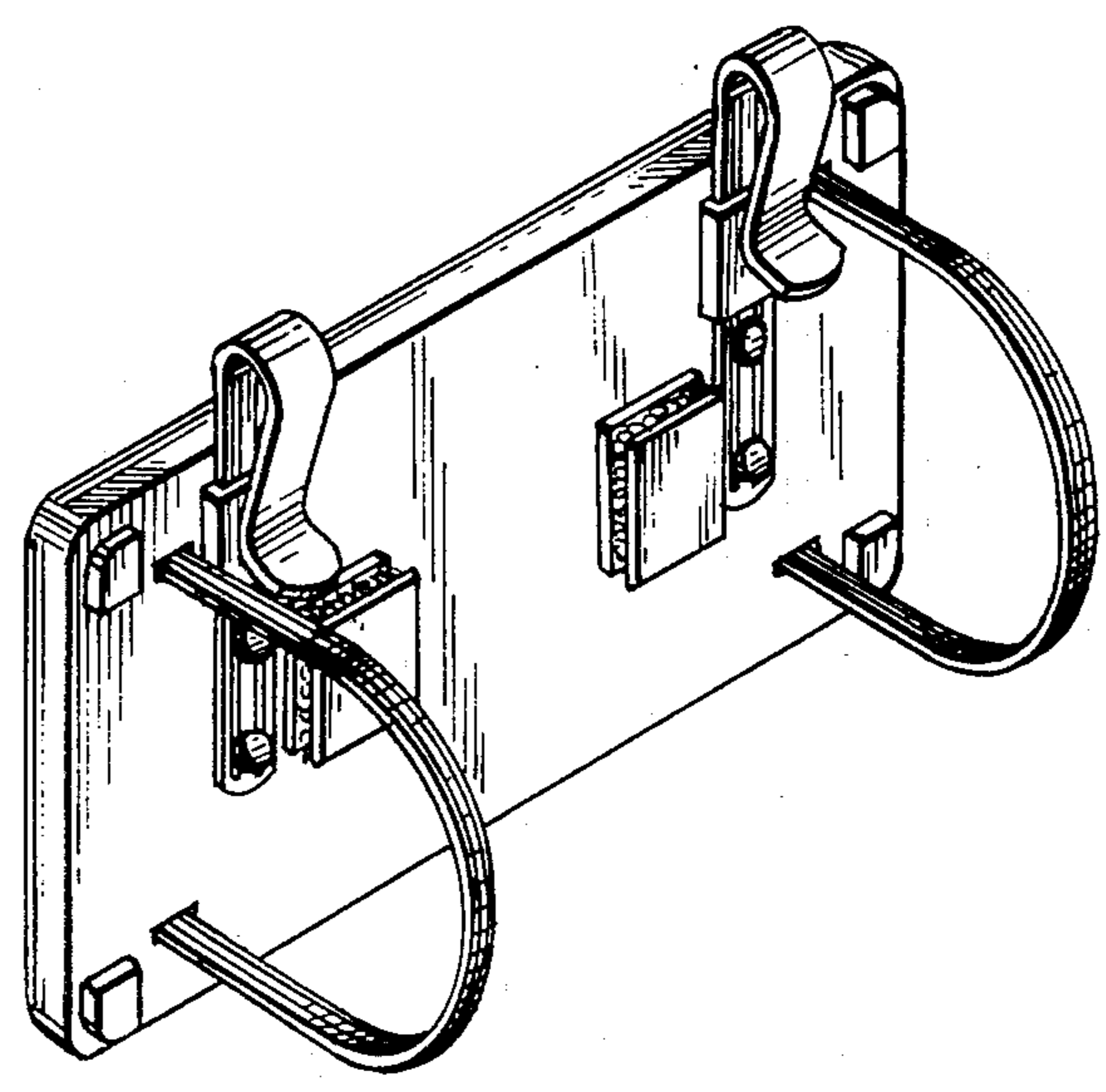
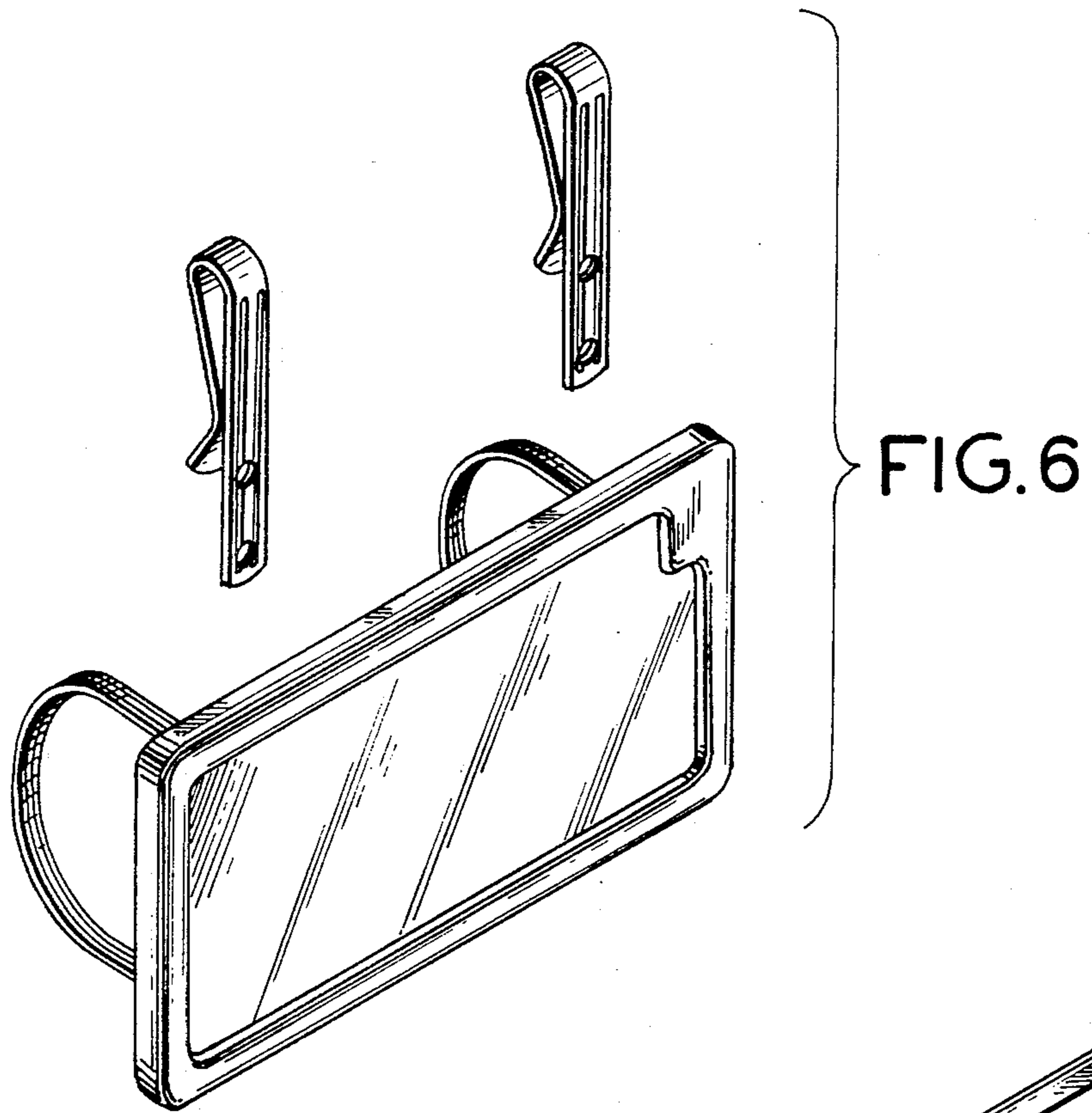


FIG. 7