

[54] INFANT WALKER

[56] References Cited

U.S. PATENT DOCUMENTS

[75] Inventors: Cooper C. Woodring, Plandome, N.Y.; Francis W. MacGregor, Simsbury; Robert H. Bruno, Avon, both of Conn.

D. 220,262	3/1971	Shamie .....	D12/130
D. 251,420	3/1979	Kassai .....	D12/130
2,672,916	3/1954	Kenney .....	297/274
3,066,906	12/1962	Berlin .....	297/274
4,225,146	9/1980	Takeuchi .....	280/87.02 W

[73] Assignee: J. C. Penney Company, Inc., New York, N.Y.

Primary Examiner—James M. Gandy  
Assistant Examiner—Kay H. Chin  
Attorney, Agent, or Firm—Daniel N. Calder

[\*\*] Term: 14 Years

[57] CLAIM

The ornamental design for an infant walker, as shown.

[21] Appl. No.: 575,531

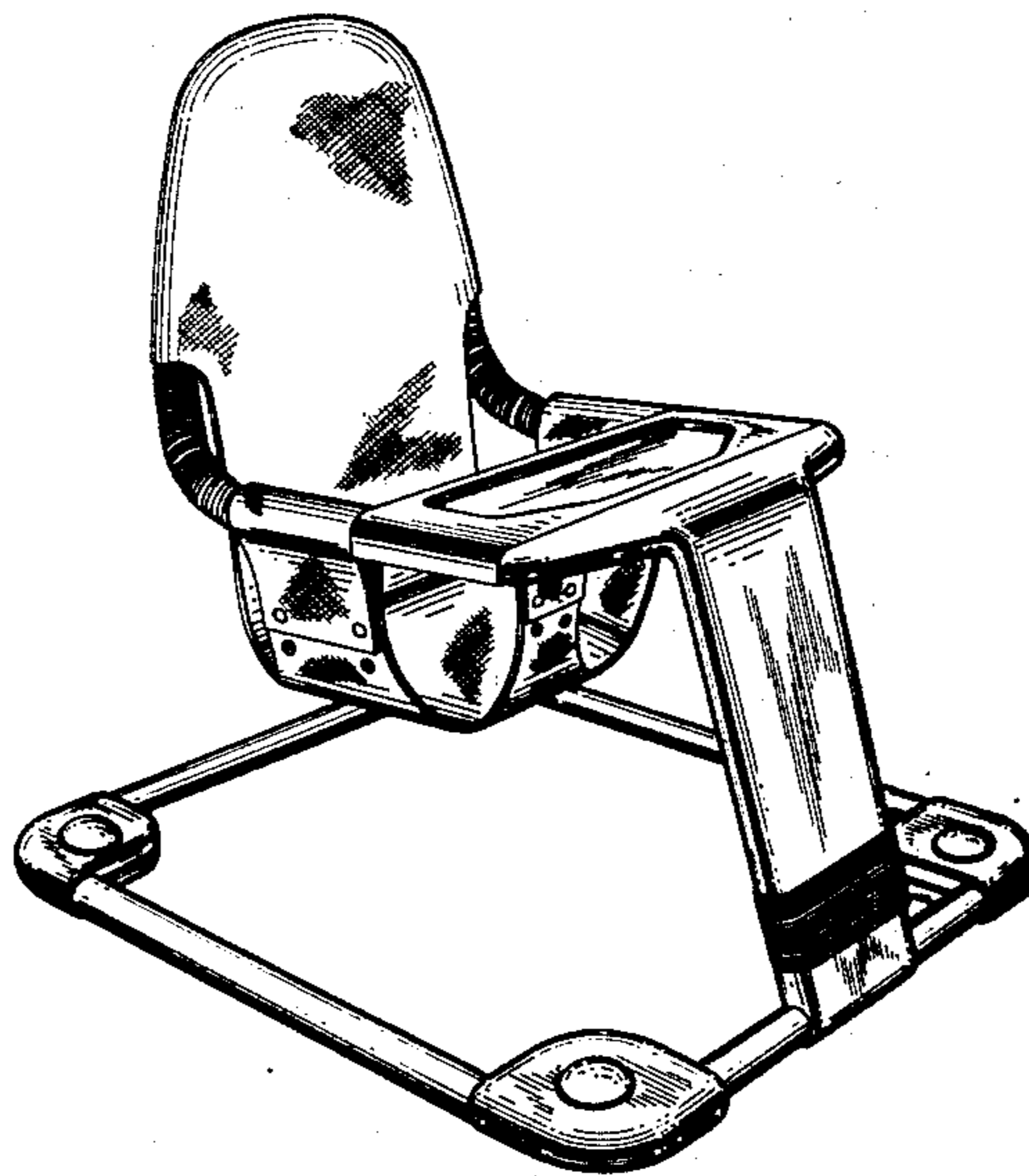
DESCRIPTION

[22] Filed: Jan. 31, 1984

[52] U.S. Cl. .... D12/130

[58] Field of Search ..... D12/130; 280/87.02 W;  
297/274; 272/70.3, 70.4, 144

FIG. 1 is a top perspective view of an infant walker showing my new design;  
FIG. 2 is a top plan view thereof;  
FIG. 3 is a side elevational view thereof;  
FIG. 4 is a front elevational view thereof;  
FIG. 5 is a rear elevational view thereof; and  
FIG. 6 is a bottom plan view thereof.



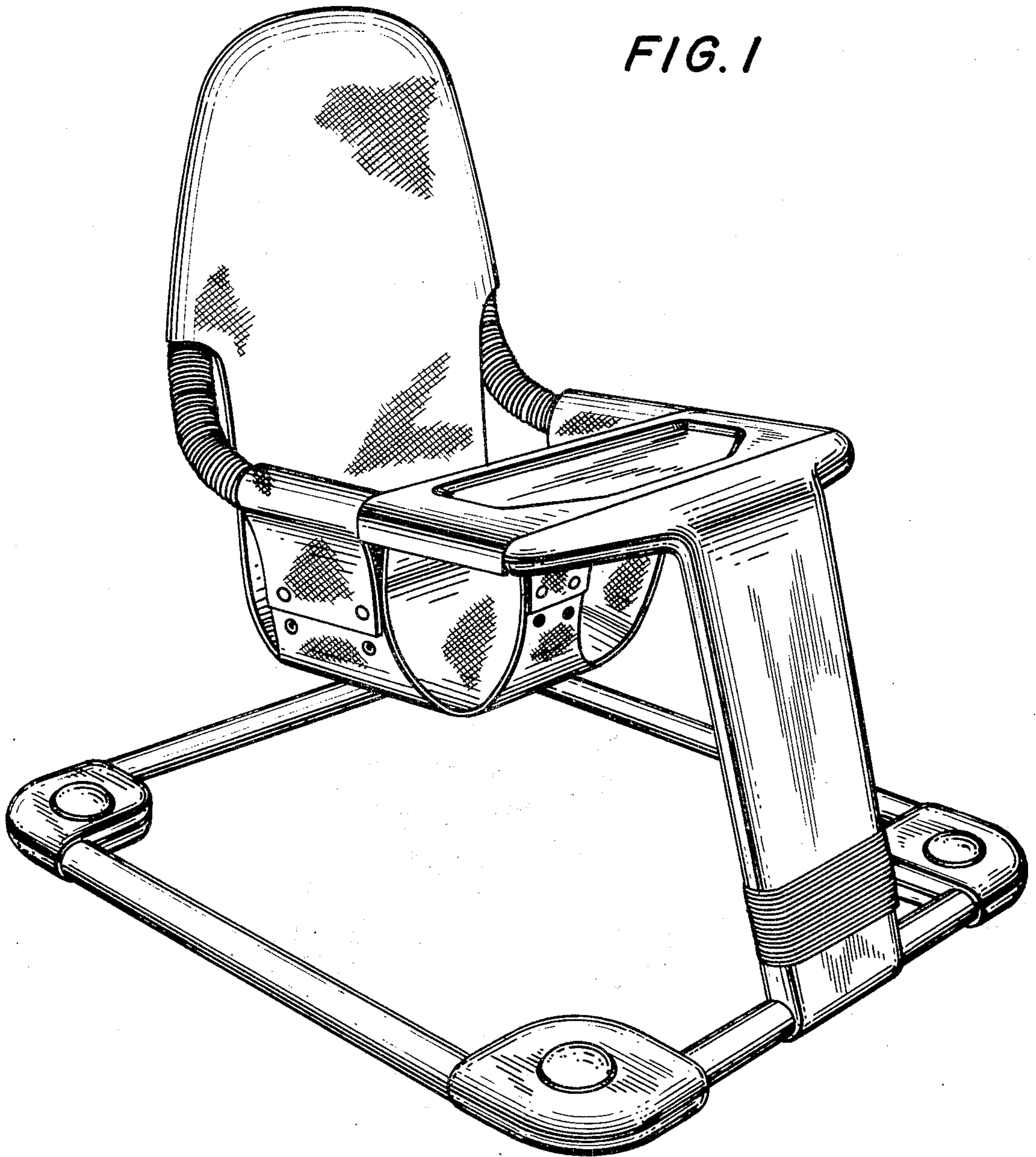
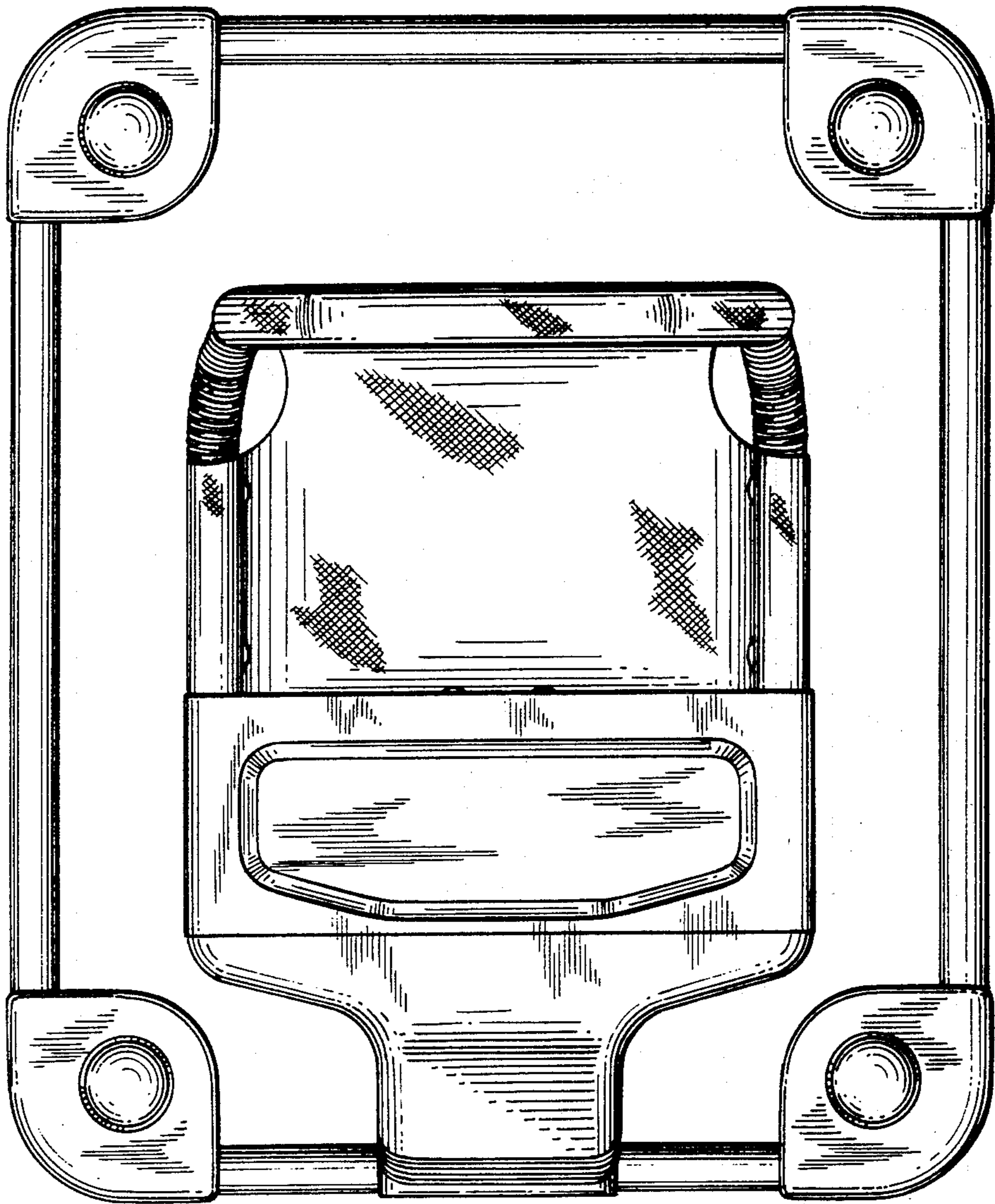


FIG. 1

FIG. 2



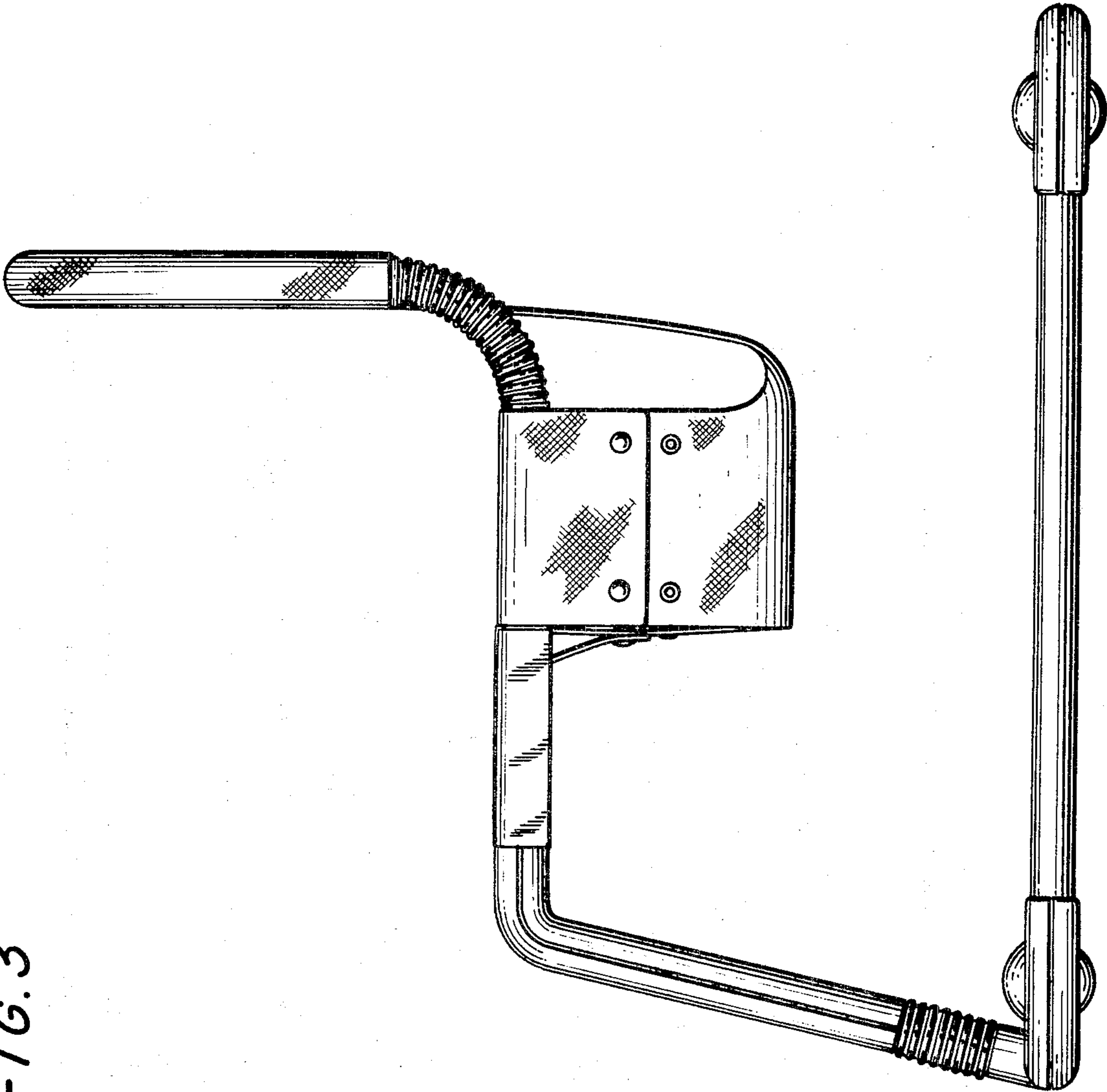
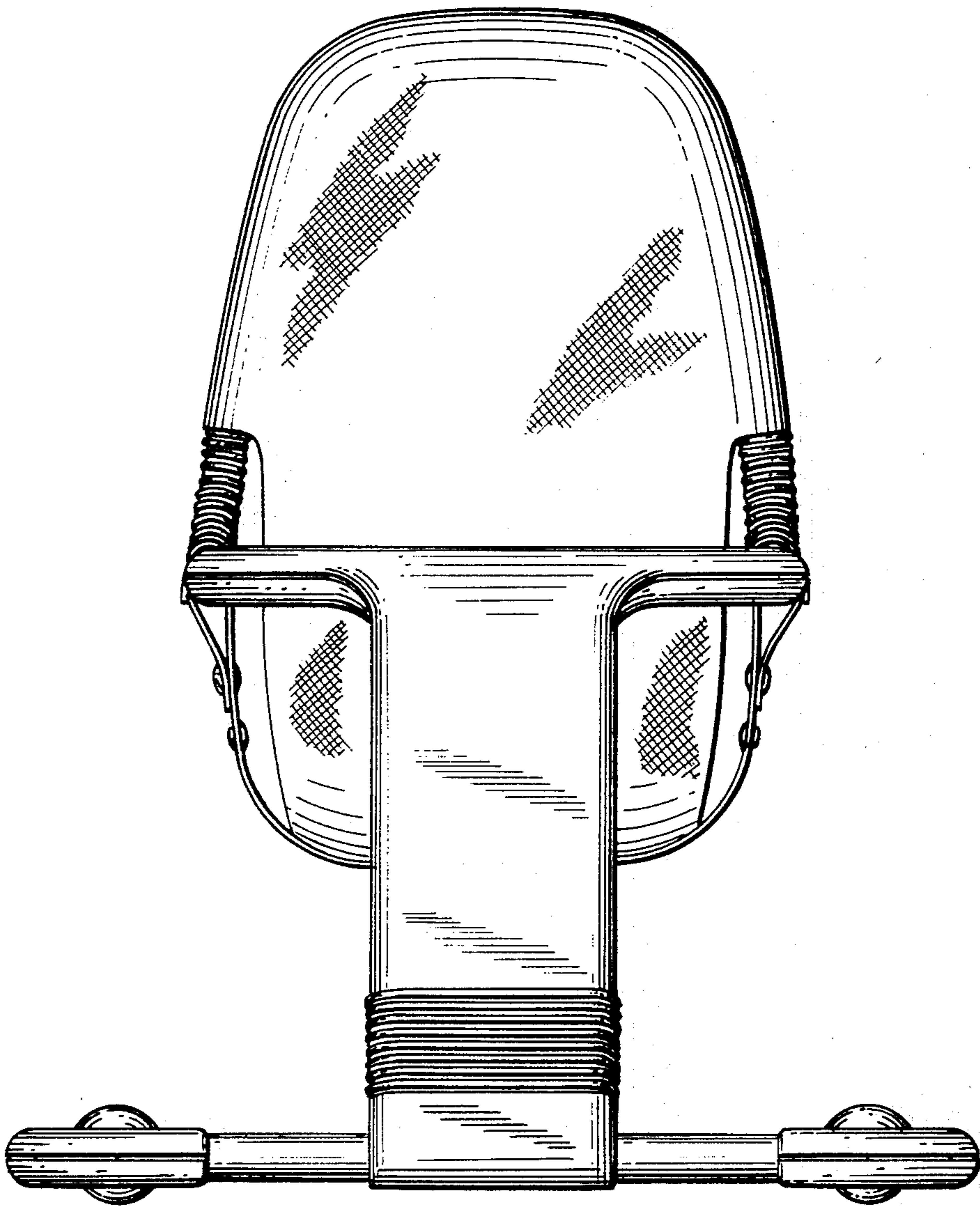


FIG. 3

FIG. 4



*FIG. 5*

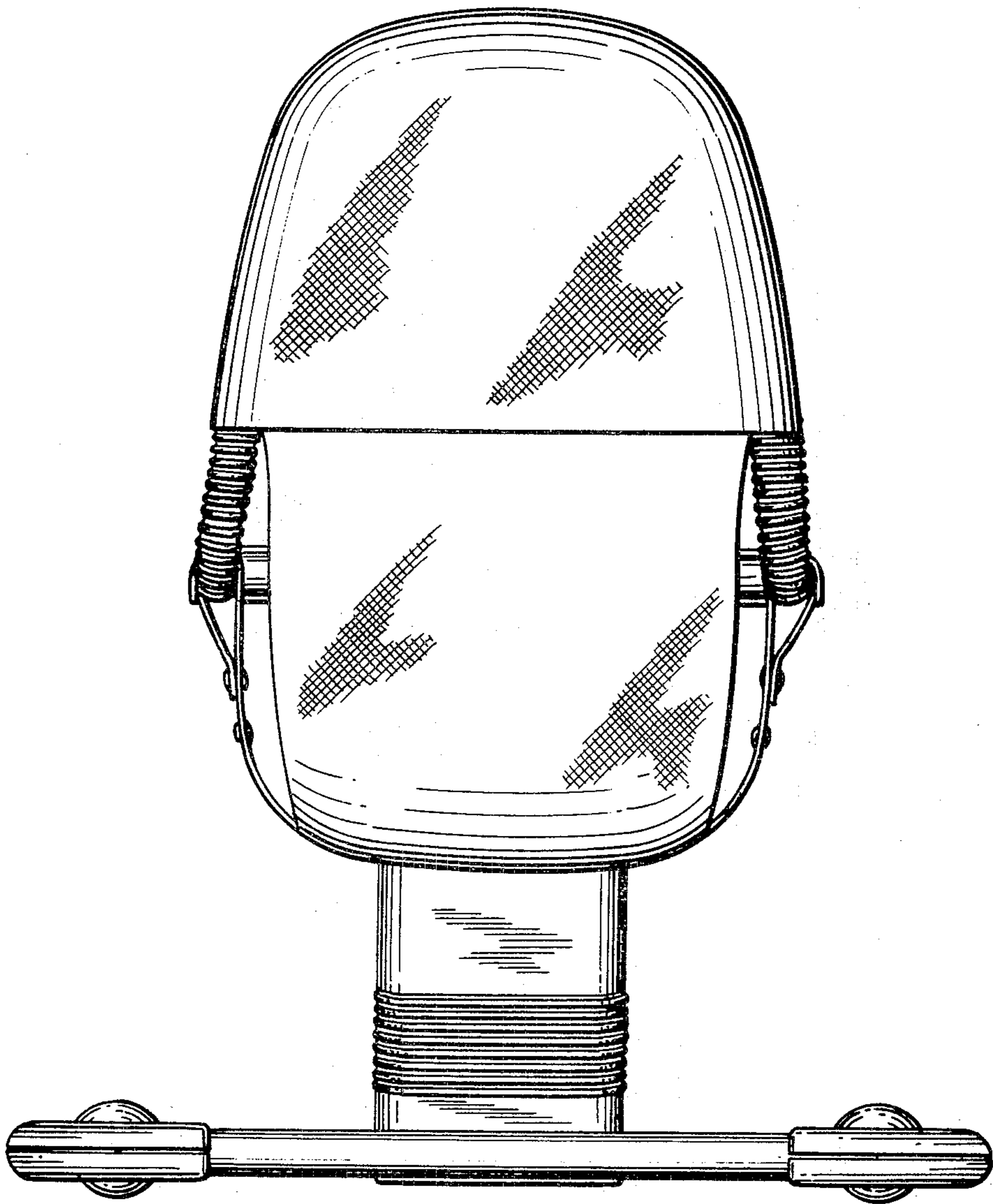


FIG. 6

