

- [54] LIQUID CRYSTAL BAR GRAPH DISPLAY
- [75] Inventor: Robert J. Graumann, Jacksonville, Fla.
- [73] Assignee: Bristol-Myers Company, New York, N.Y.
- [**] Term: 14 Years
- [21] Appl. No.: 580,222
- [22] Filed: Feb. 15, 1984
- [52] U.S. Cl. D10/125; D18/26; D10/103
- [58] Field of Search D10/1-2, D10/15, 38, 24-26, 102, 103, 57-58, 60, 75-76, 80, 98, 122-126; 340/753, 759, 766; 116/206-207, DIG. 35, DIG. 47, 216, 241, 259, 272, 281; D18/26

[56] References Cited

U.S. PATENT DOCUMENTS

D. 244,262	5/1977	Nakamura	D10/15 X
D. 249,025	8/1978	Nakamura	D10/125
D. 263,808	4/1982	Tanaka	D10/124
D. 279,963	8/1985	Tanaka	D10/123 X
2,982,132	5/1961	Mendlowitz	.	
3,525,091	8/1970	Lally	340/753
3,614,773	10/1971	Gordon	340/759
3,623,473	11/1971	Andersen et al.	.	
3,798,967	3/1974	Gieles et al.	.	
3,987,788	10/1976	Emil	.	
4,004,576	1/1977	Gahwiler et al.	.	
4,015,593	5/1977	Elings et al.	.	
4,127,794	11/1978	Frankland	340/753
4,153,048	5/1979	Magrini	.	

- 4,191,194 3/1980 Watanabe et al. .
- 4,407,298 10/1983 Lentz et al. .

FOREIGN PATENT DOCUMENTS

- 63900 11/1982 European Pat. Off. .
- 555190 6/1932 Fed. Rep. of Germany 73/431

OTHER PUBLICATIONS

Bailey Instruments, Inc. Advertisements and Temptronix Advertisement.

Primary Examiner—Nelson C. Holtje
Attorney, Agent, or Firm—Bell, Seltzer, Park & Gibson

[57] CLAIM

The ornamental design for a liquid crystal bar graph display, substantially as shown and described.

DESCRIPTION

FIG. 1 is a front perspective view of a liquid crystal bar graph display showing my new design on a reduced scale, the dot-dash showings being environmental only and form no part of the claimed design;

FIG. 2 is a front perspective view thereof on an enlarged scale indicating a typical 100% display, the rear being plain and unornamented;

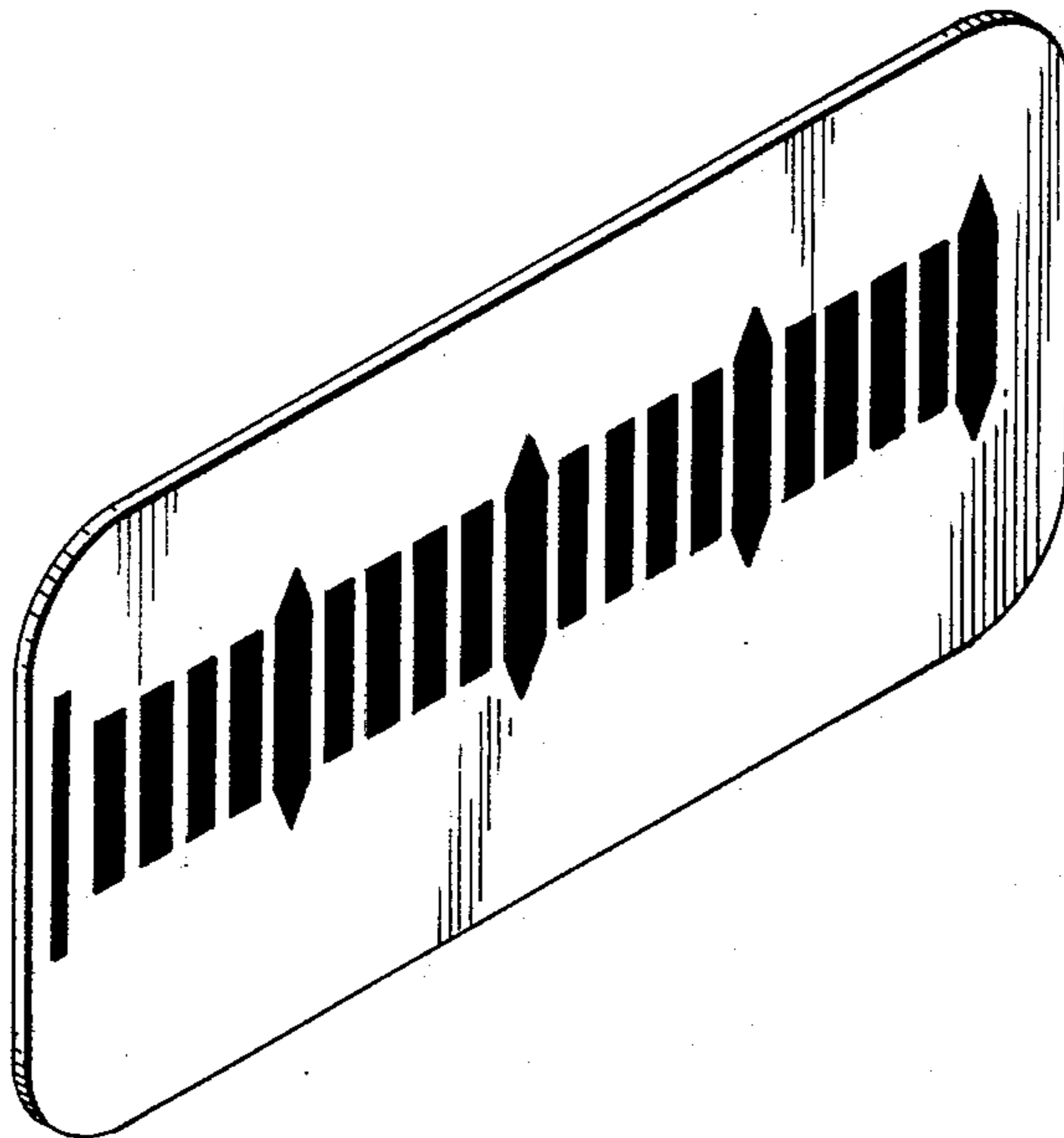
FIG. 3 is a typical side elevational view thereof on a reduced scale;

FIG. 4 is a front elevational view thereof on a reduced scale indicating a typical 25% display;

FIG. 5 is a front elevational view thereof on a reduced scale indicating a typical 50% display;

FIG. 6 is a front elevational view thereof on a reduced scale indicating a typical 60% display;

FIG. 7 is a front elevational view thereof on a reduced scale indicating a typical 75% display.



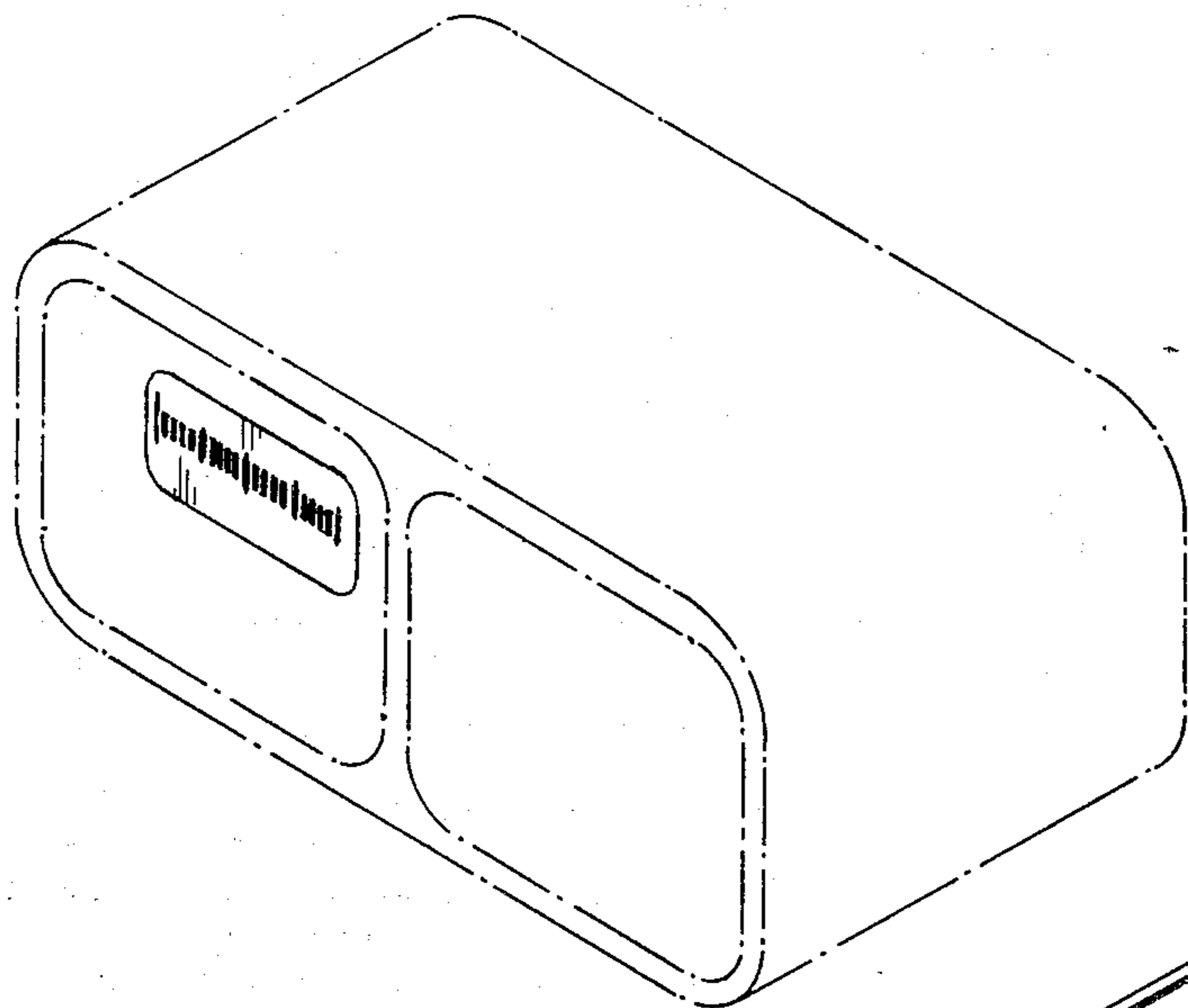


FIG-1

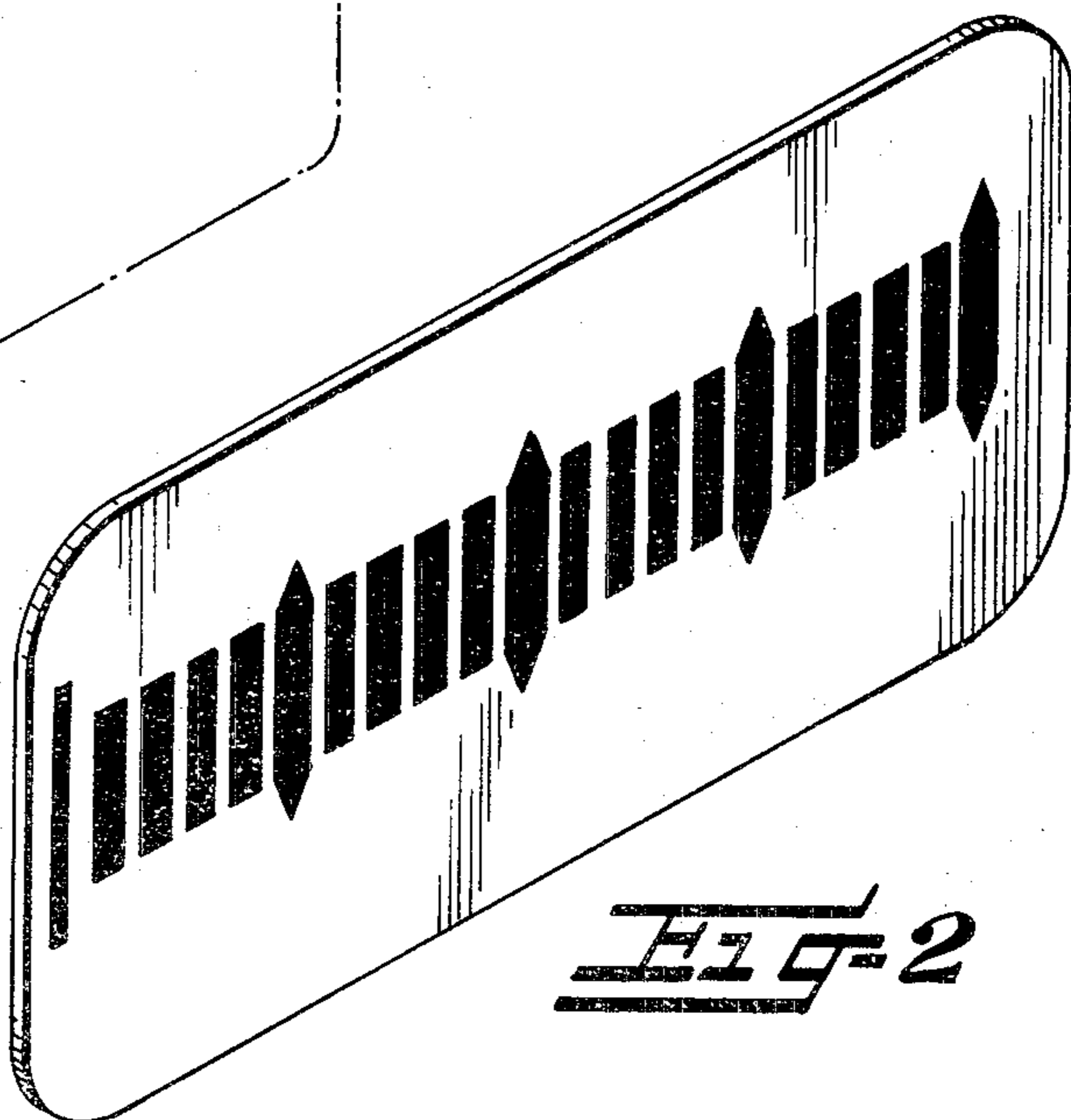


FIG-2

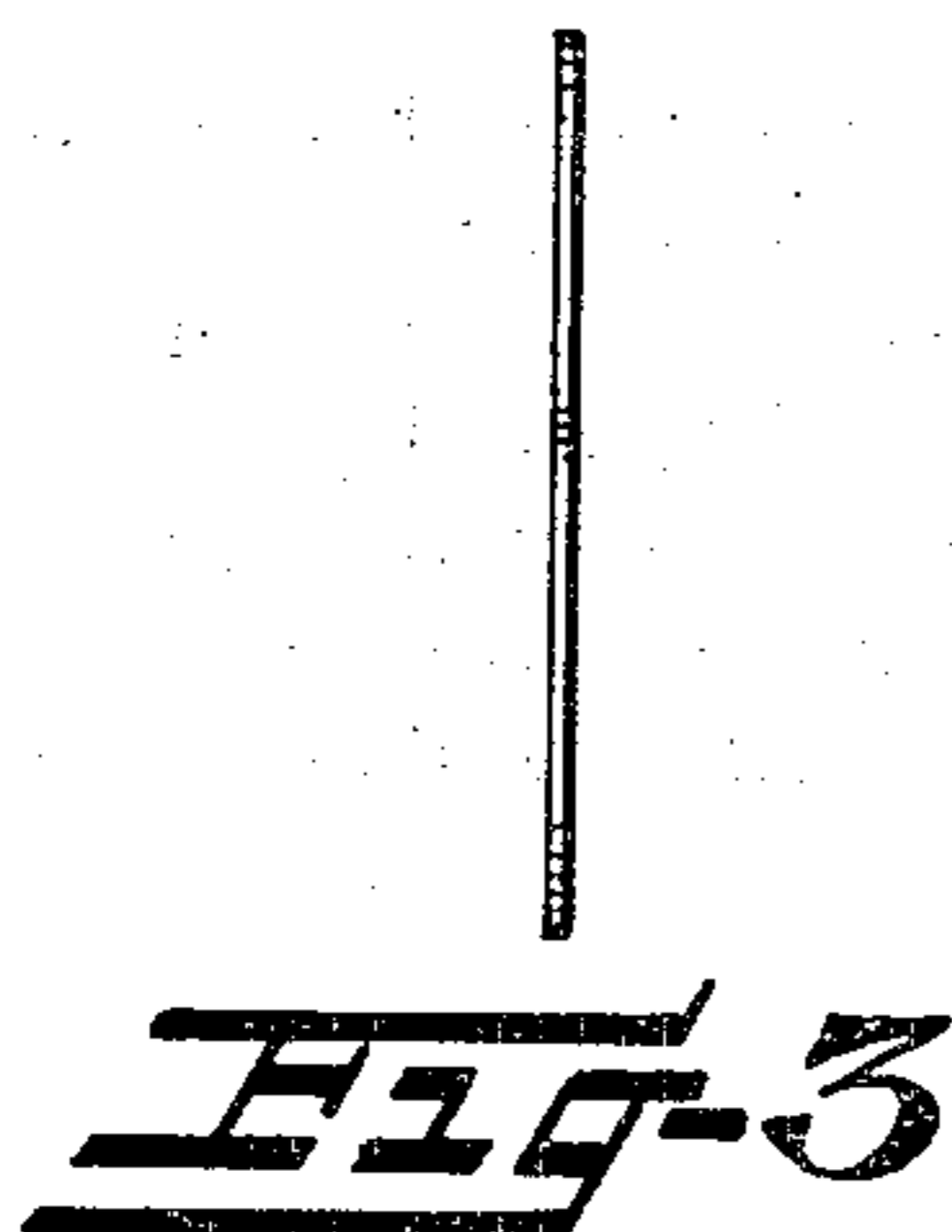


FIG-3

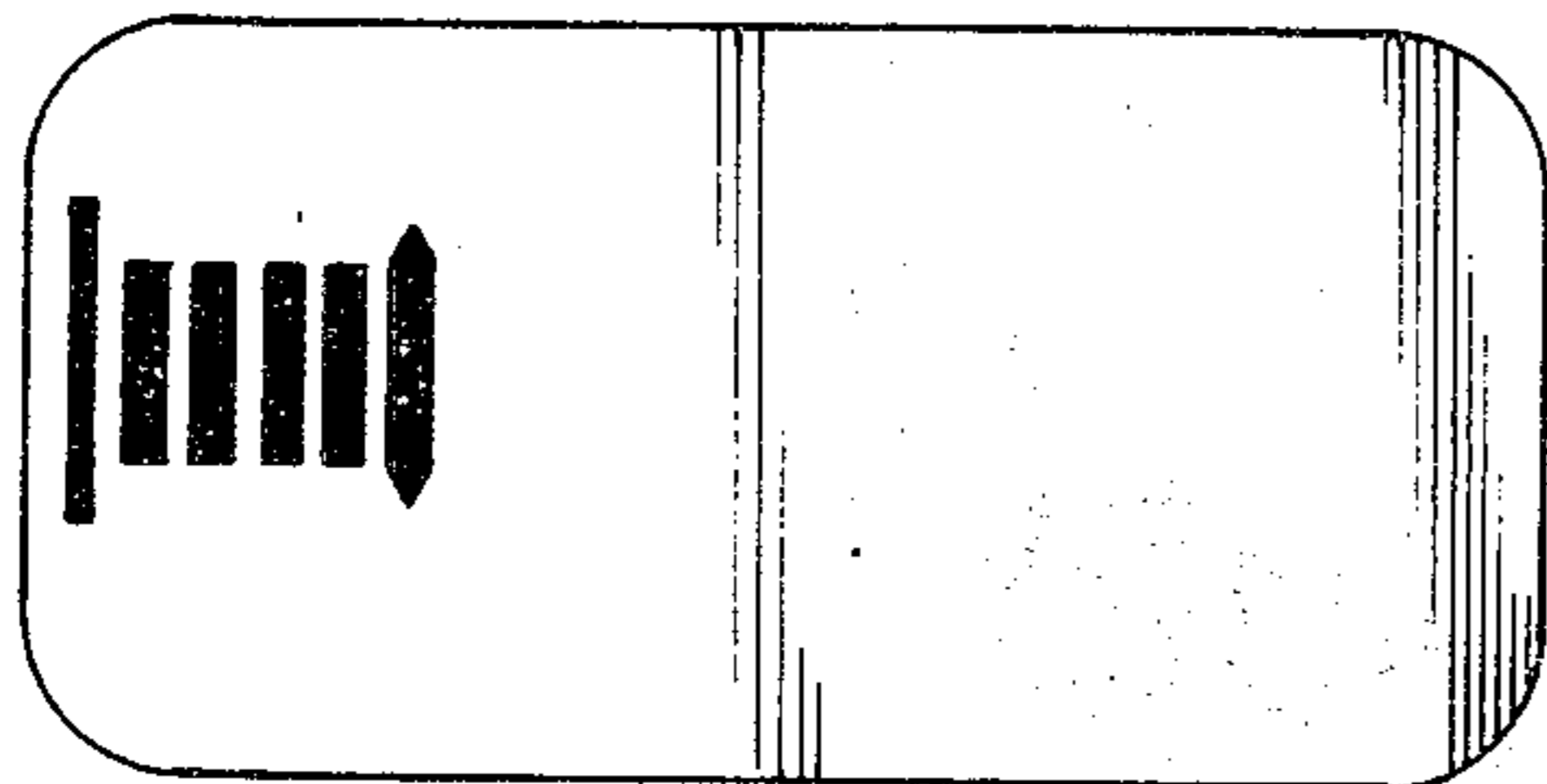


FIG-4

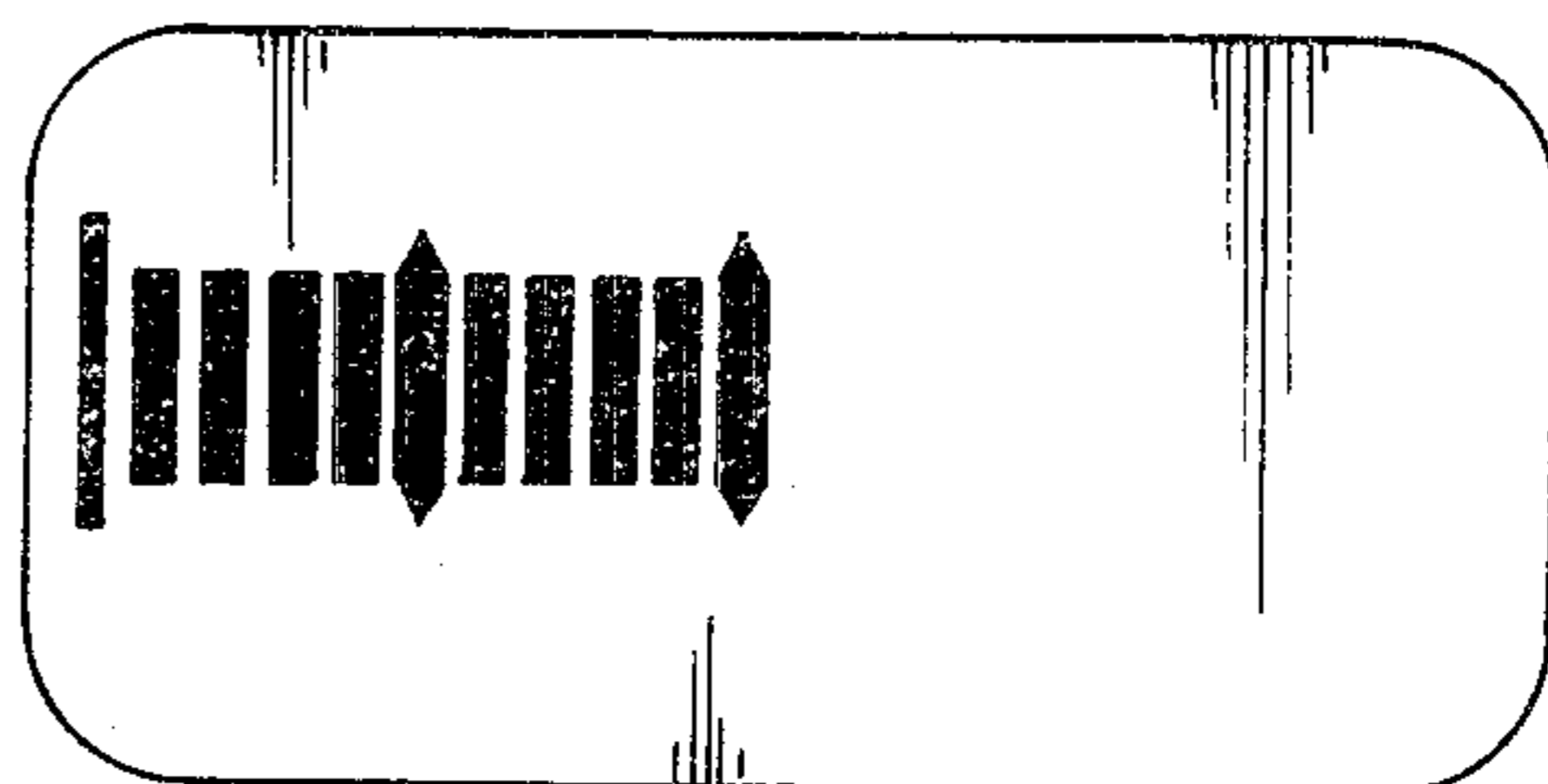


FIG-5

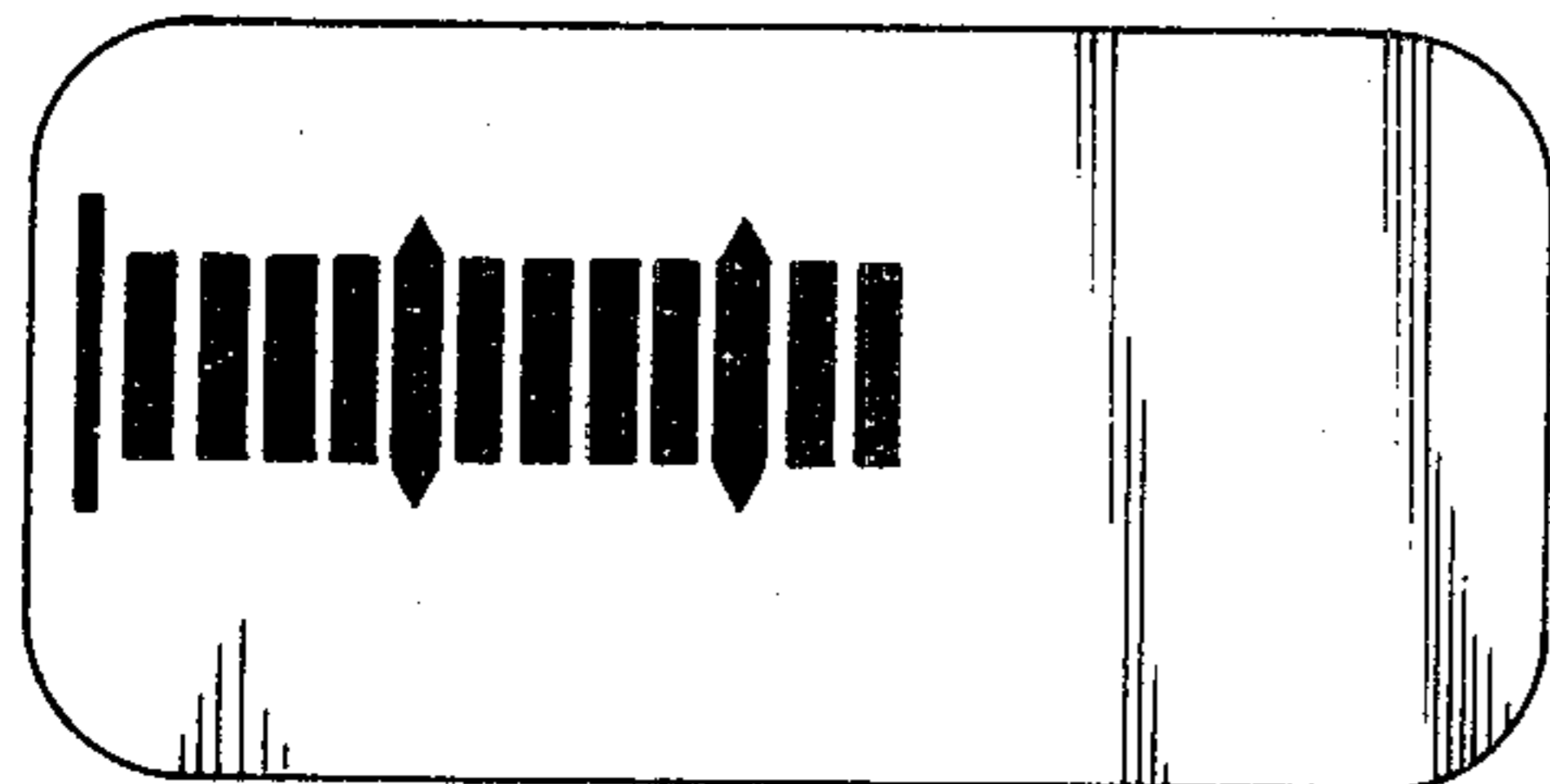


FIG-6

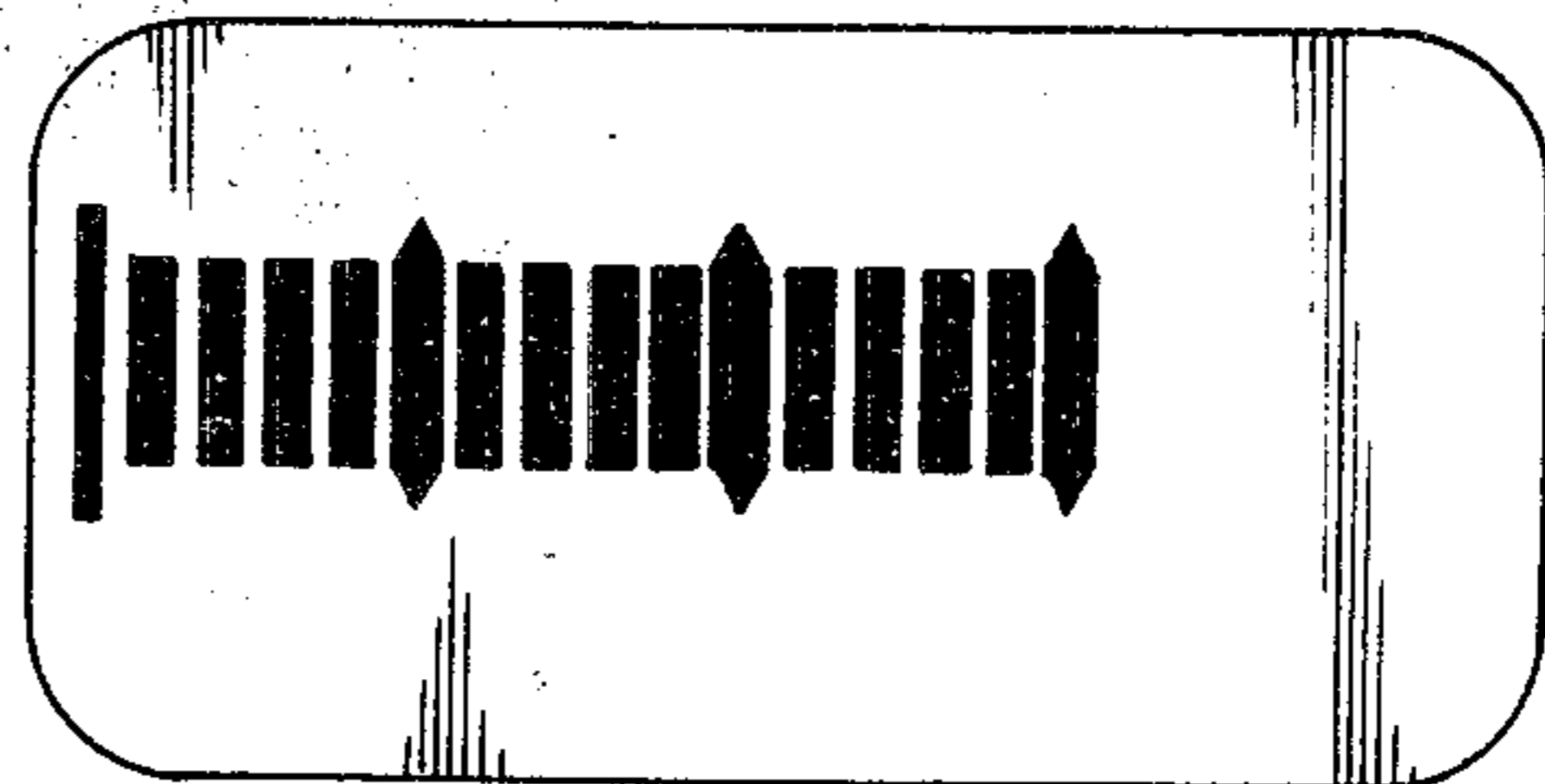


FIG-7