

[54] COMBINED POUR SPOUT AIR BLEEDER AND LID FOR A FLUID CONTAINER

[76] Inventor: John DiFede, 24878 Tiogo Rd., Hayward, Calif. 94544

[**] Term: 14 Years

[21] Appl. No.: 615,168

[22] Filed: May 30, 1984

[52] U.S. Cl. D9/435

[58] Field of Search D9/435, 447, 440; 222/479, 185

3,957,176 5/1976 Marston 222/185
4,273,265 6/1981 Anderson 222/479 X
4,386,718 6/1983 Stewart et al. 222/185

Primary Examiner—Bernard Ansher
Assistant Examiner—Linda Titolo
Attorney, Agent, or Firm—Linval B. Castle

[57] CLAIM

The ornamental design for a combined pour spout, air bleeder and lid for a fluid container, as shown.

DESCRIPTION

FIG. 1 is a top plan view of a combined pour spout air bleeder and lid for a fluid container, showing my new design;

FIG. 2 is a bottom perspective view thereof;

FIG. 3 is a bottom plan view thereof;

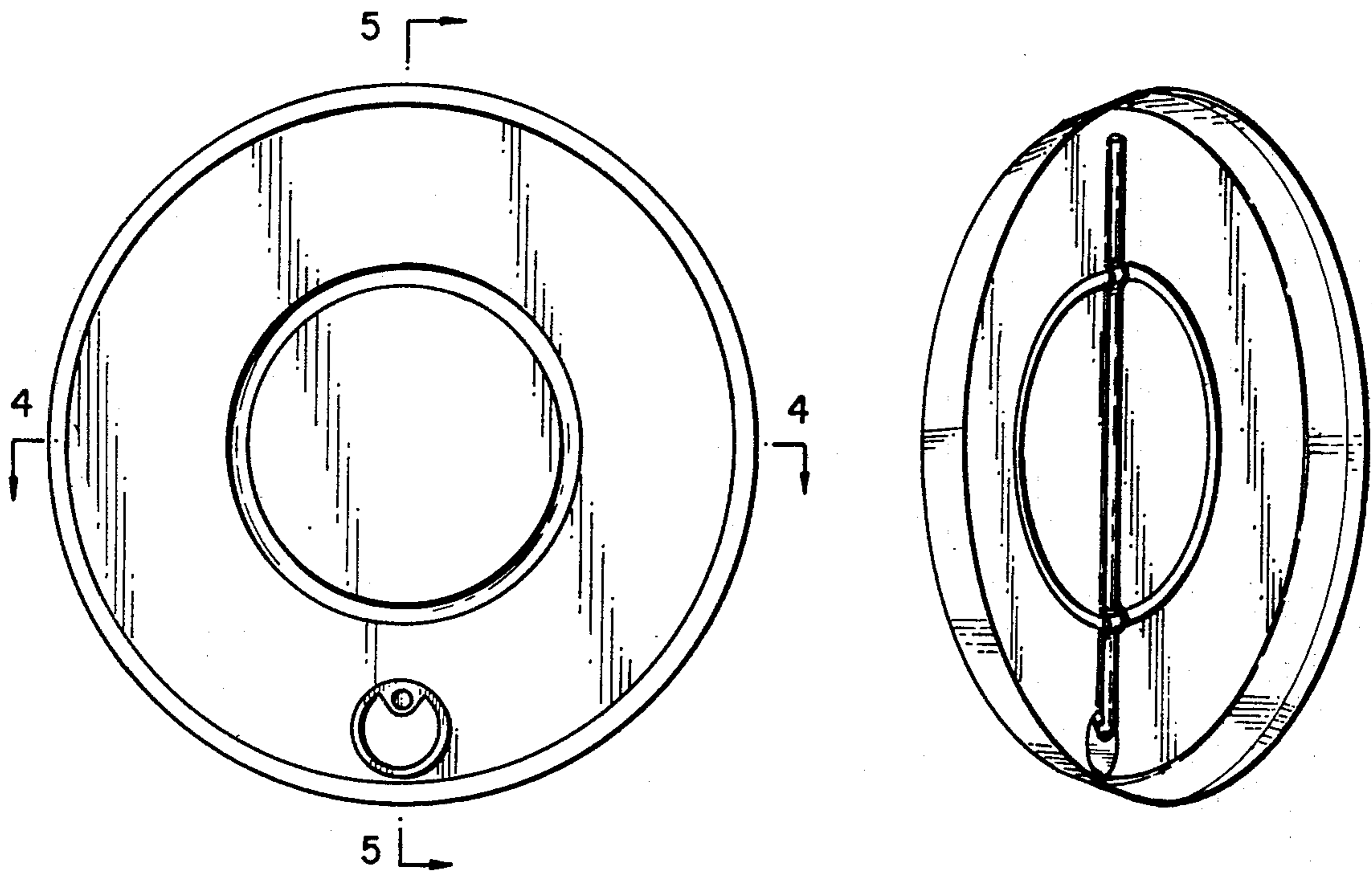
FIG. 4 is a cross sectional view thereof taken on line 4—4 of FIG. 1; and

FIG. 5 is a cross sectional view thereof taken on line 5—5 of FIG. 1.

[56] References Cited

U.S. PATENT DOCUMENTS

D. 137,297	2/1944	Ruther	D9/447
D. 181,337	11/1957	Beall, Jr.	D9/447
D. 247,350	2/1978	Witt	D9/440
D. 249,647	9/1978	Goodall	D9/447
1,084,857	1/1914	Harris	222/479
2,753,090	7/1956	Fay	222/479



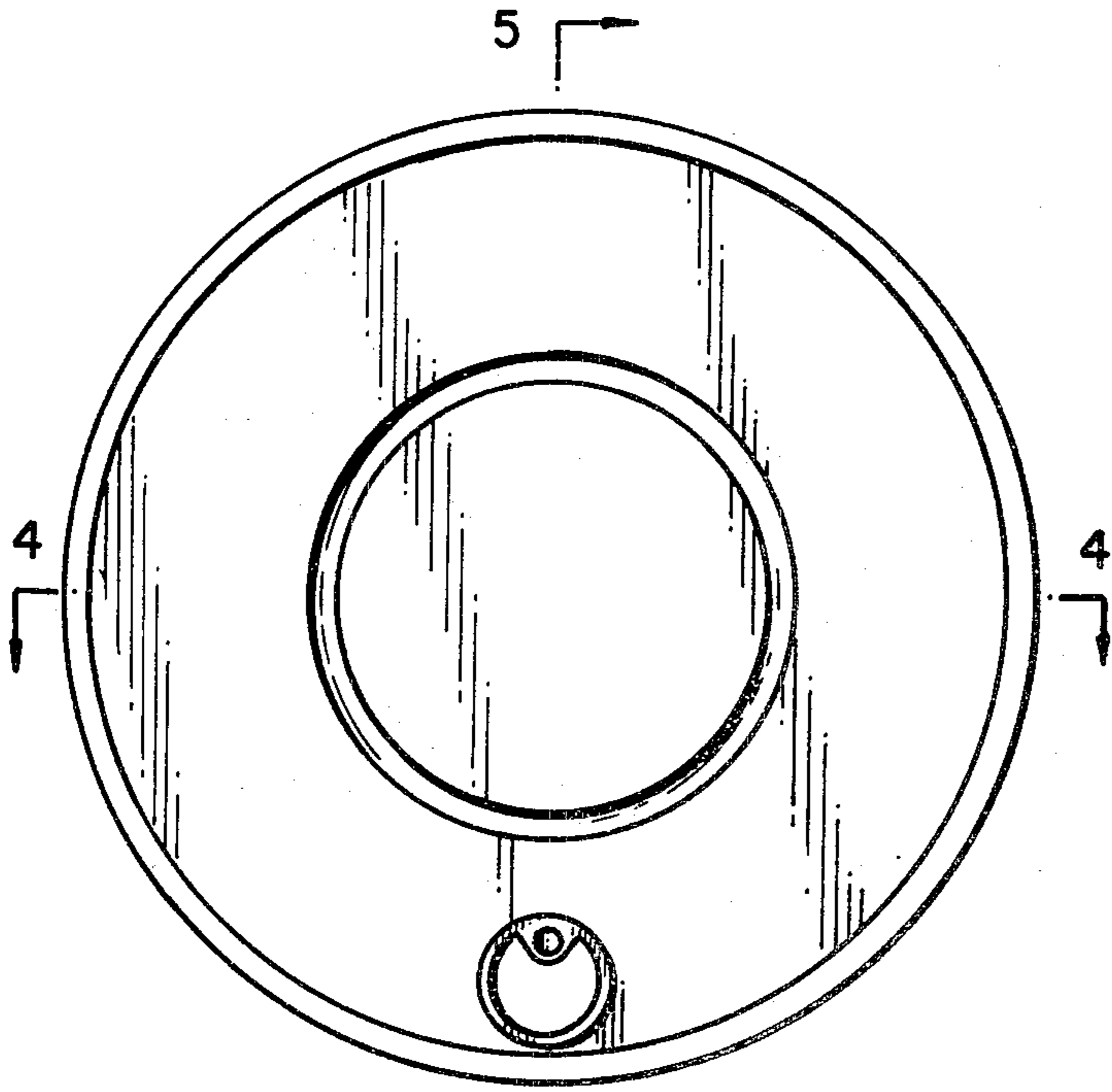


FIG. 1

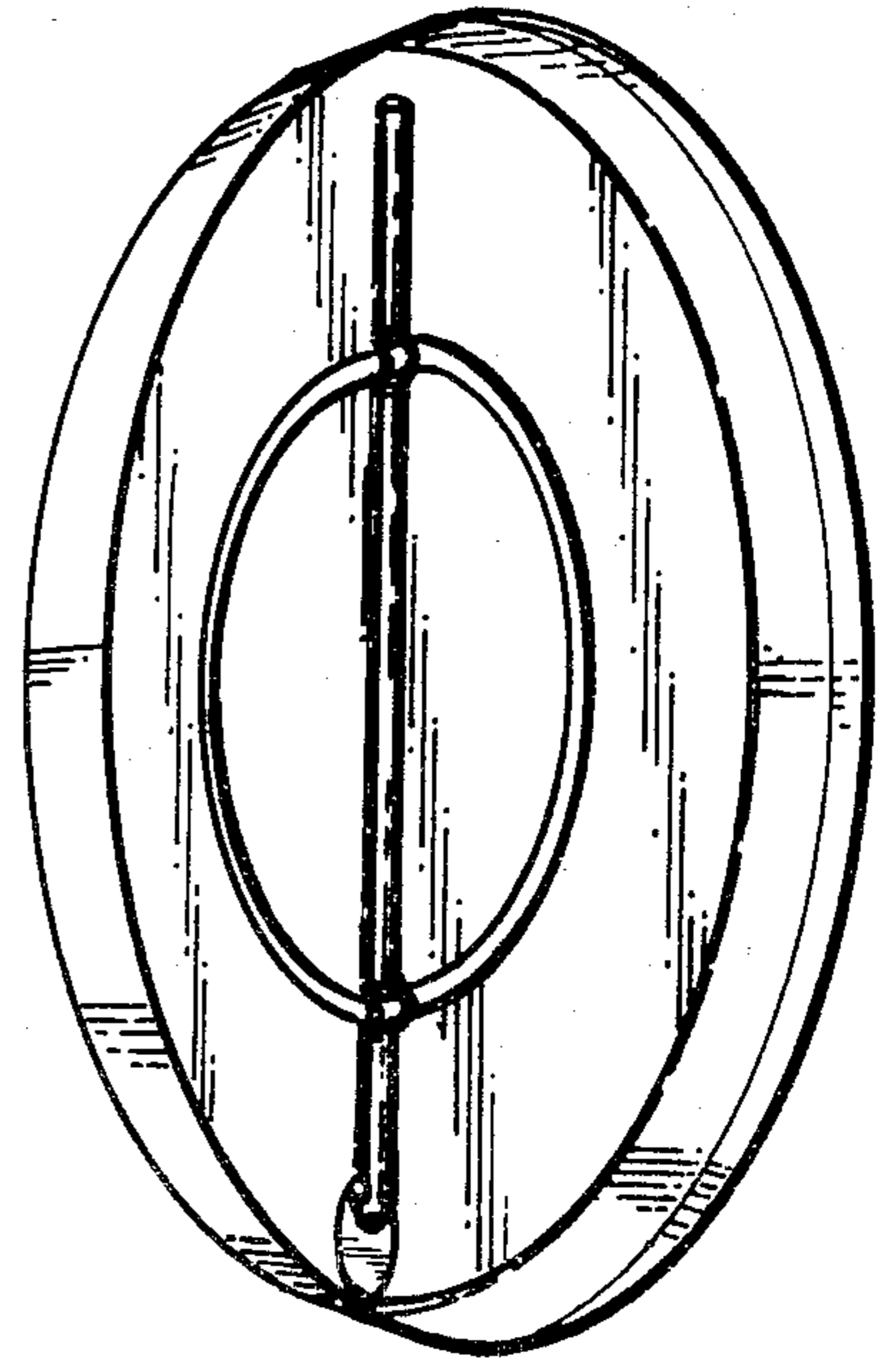


FIG. 2

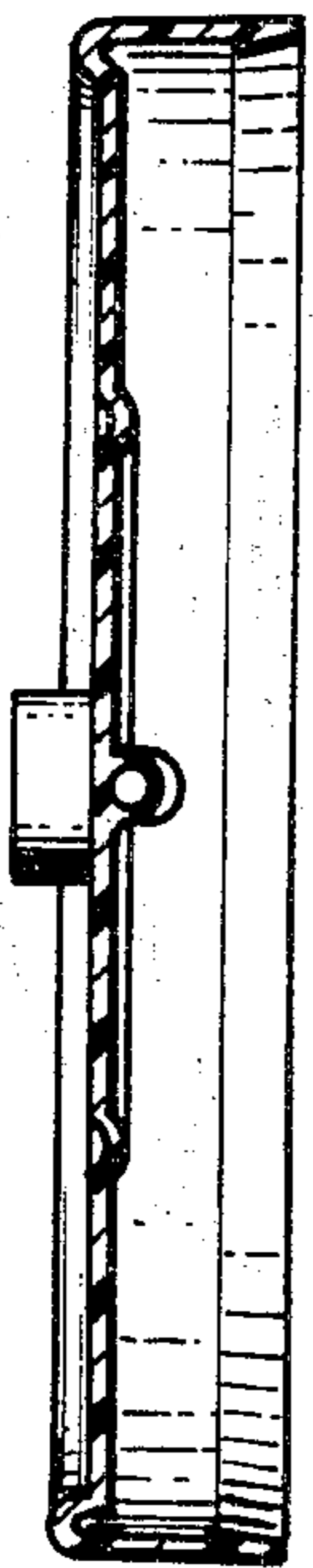


FIG. 4

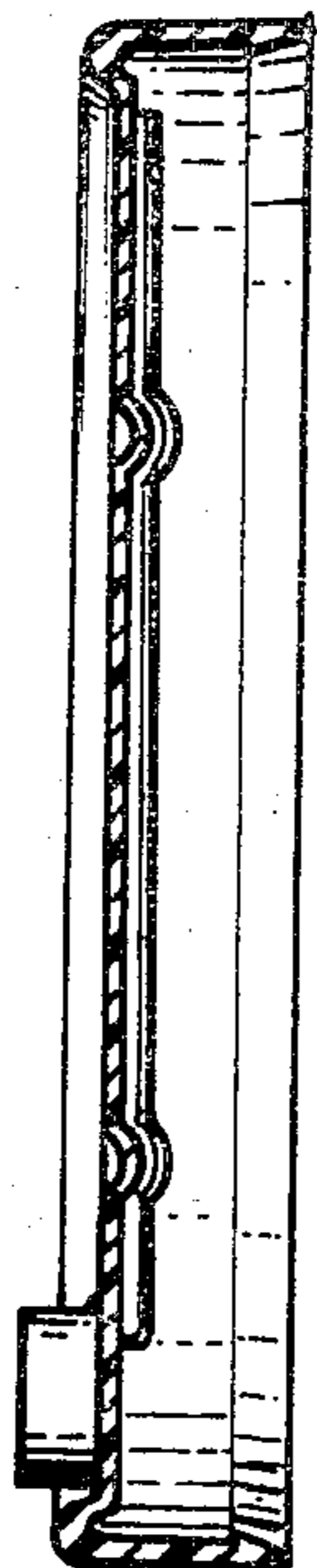


FIG. 5

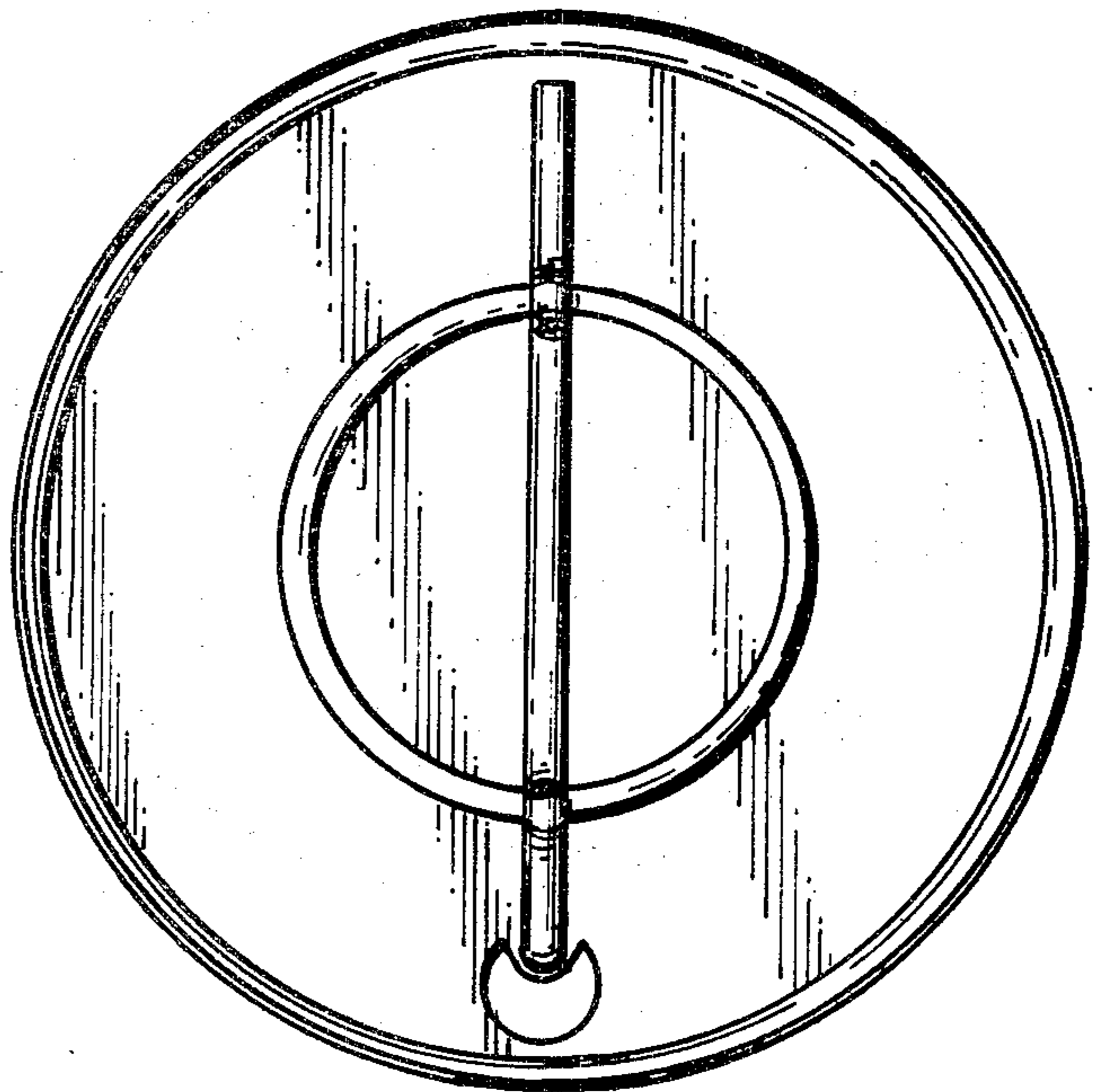


FIG. 3