

[54] DIAPER CLIP

[75] Inventor: Andrew E. Davis, Wallsend, Australia

[73] Assignee: Douglas Charles Holliday, New South Wales, Australia; a part interest

[**] Term: 14 Years

[21] Appl. No.: 633,852

[22] Filed: Jul. 24, 1984

[30] Foreign Application Priority Data

Apr. 4, 1984 [AU] Australia 7066/84

[52] U.S. Cl. D8/395

[58] Field of Search D8/394, 395; 24/530, 24/545, 561, 564

[56] References Cited

U.S. PATENT DOCUMENTS

1,675,806 7/1928 Holden 24/561
2,474,753 6/1949 Morton 24/530

2,614,570 10/1952 Hall 24/561
2,960,742 11/1960 Soloman 24/561
3,205,549 9/1965 Keech 24/571
3,766,613 10/1973 Merfeld 24/561

FOREIGN PATENT DOCUMENTS

0345847 4/1931 United Kingdom 24/564

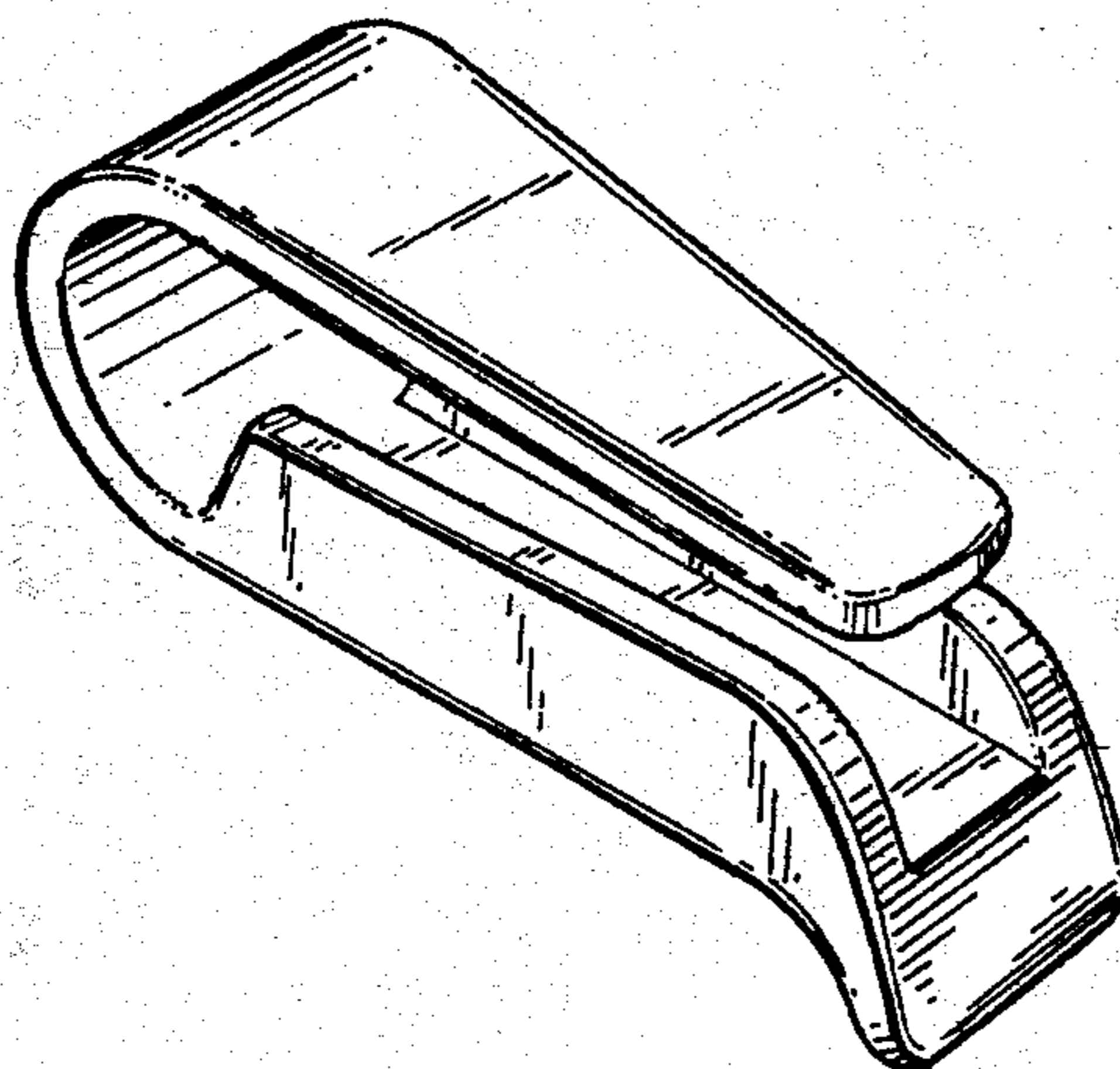
Primary Examiner—B. J. Bullock
Attorney, Agent, or Firm—Merchant, Gould, Smith, Edell, Welter & Schmidt

[57] CLAIM

The ornamental design for a diaper clip, as shown.

DESCRIPTION

FIG. 1 is a top perspective view of a diaper clip showing my new design;
FIG. 2 is a right side elevational view thereof, the side opposite being a mirror image;
FIG. 3 is a right side elevational view thereof;
FIG. 4 is a top plan view thereof;
FIG. 5 is a bottom plan view thereof;
FIG. 6 is a left end elevational view thereof.



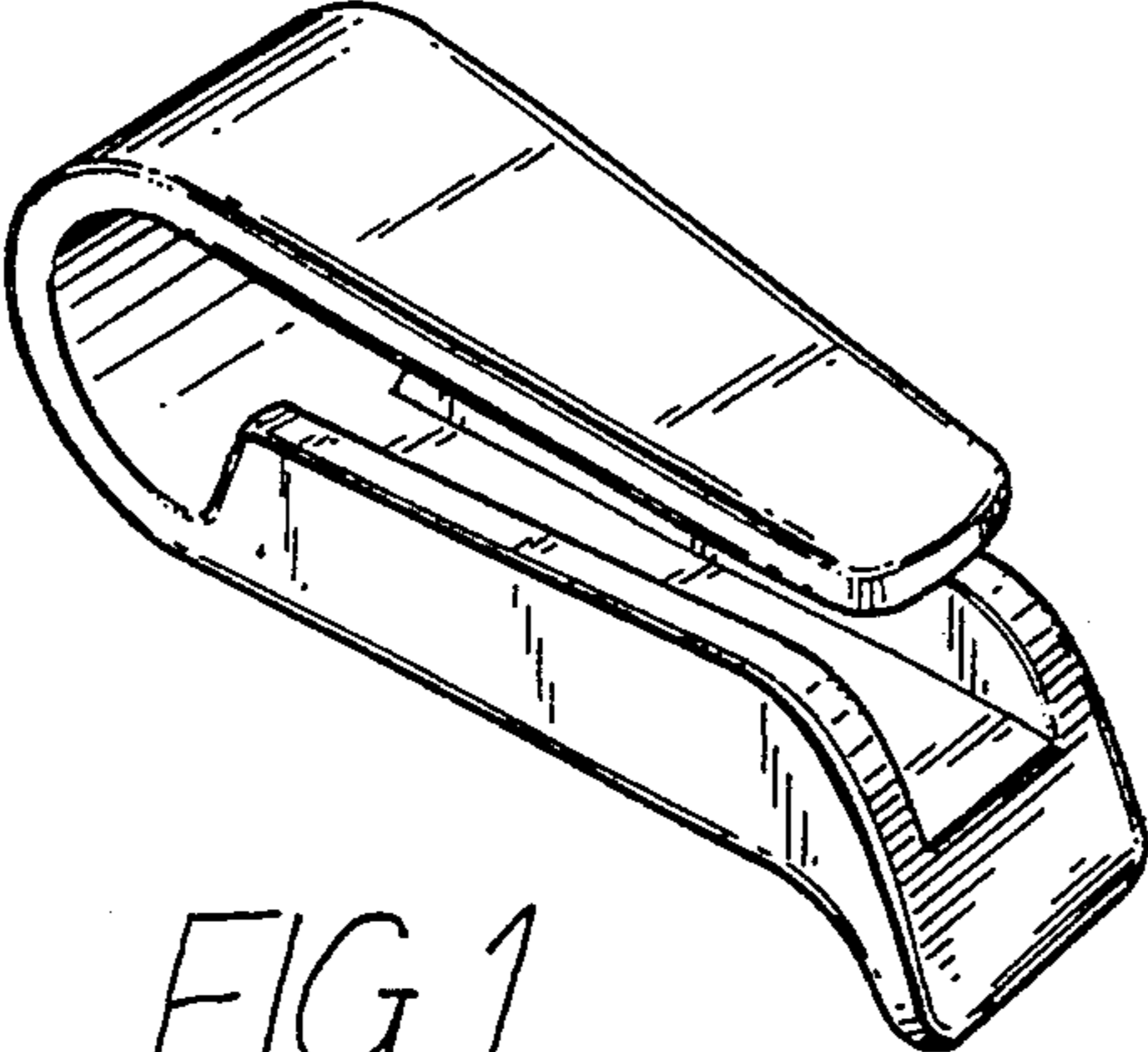


FIG 1

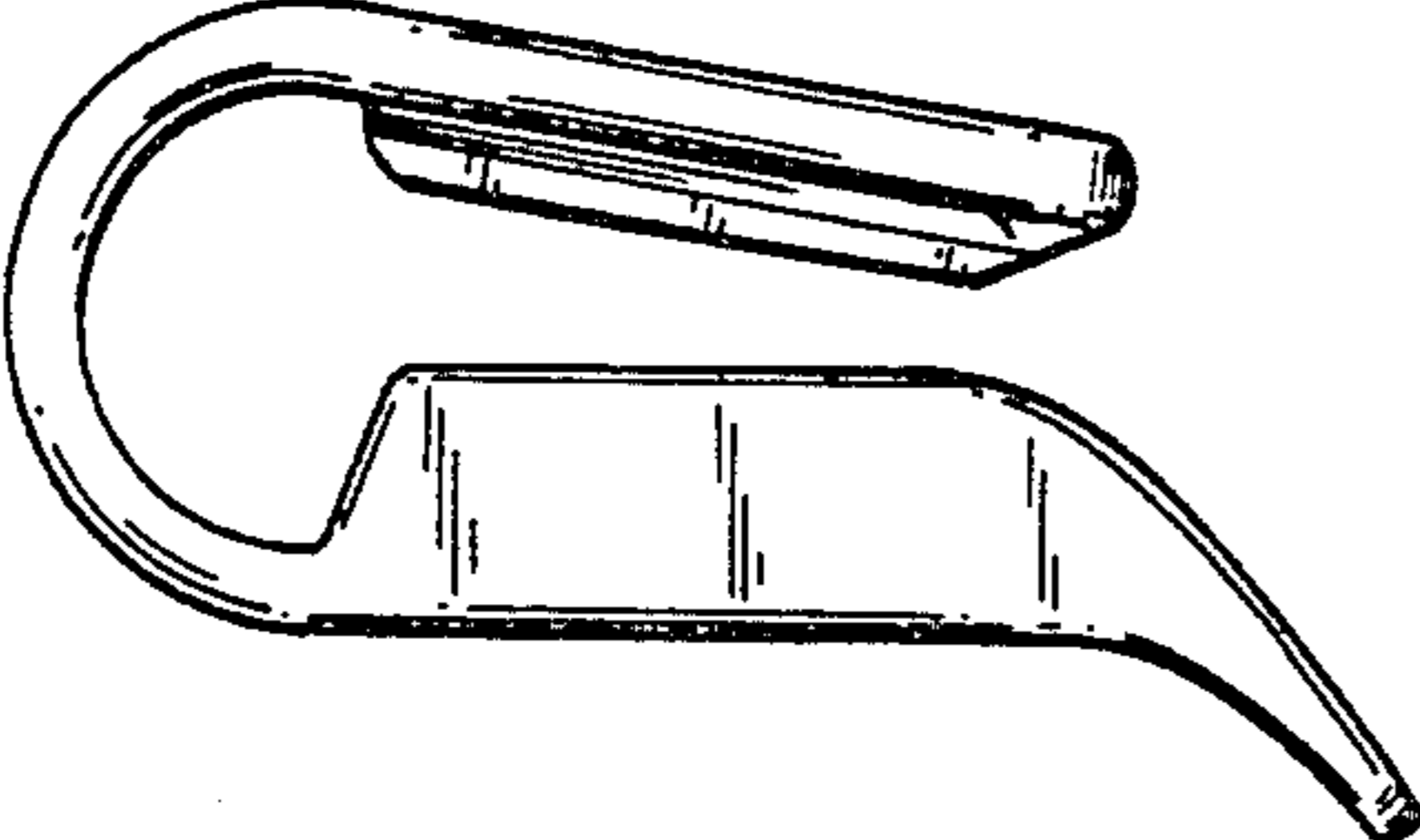


FIG 2

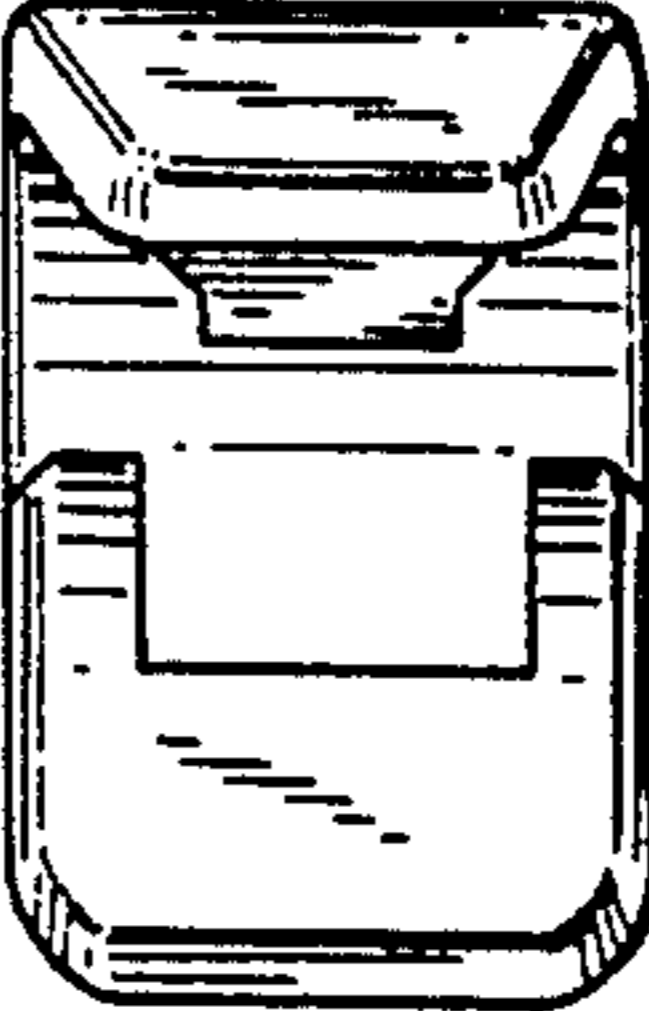


FIG 3

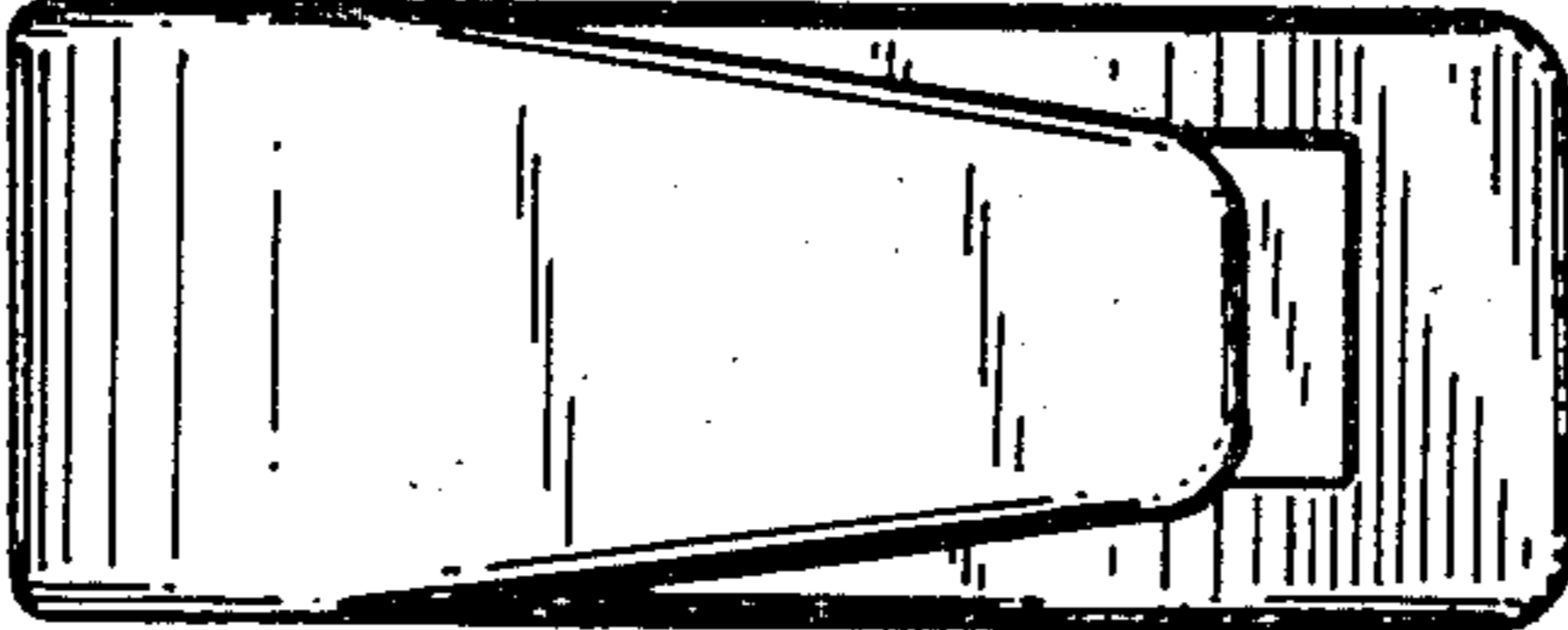


FIG 4

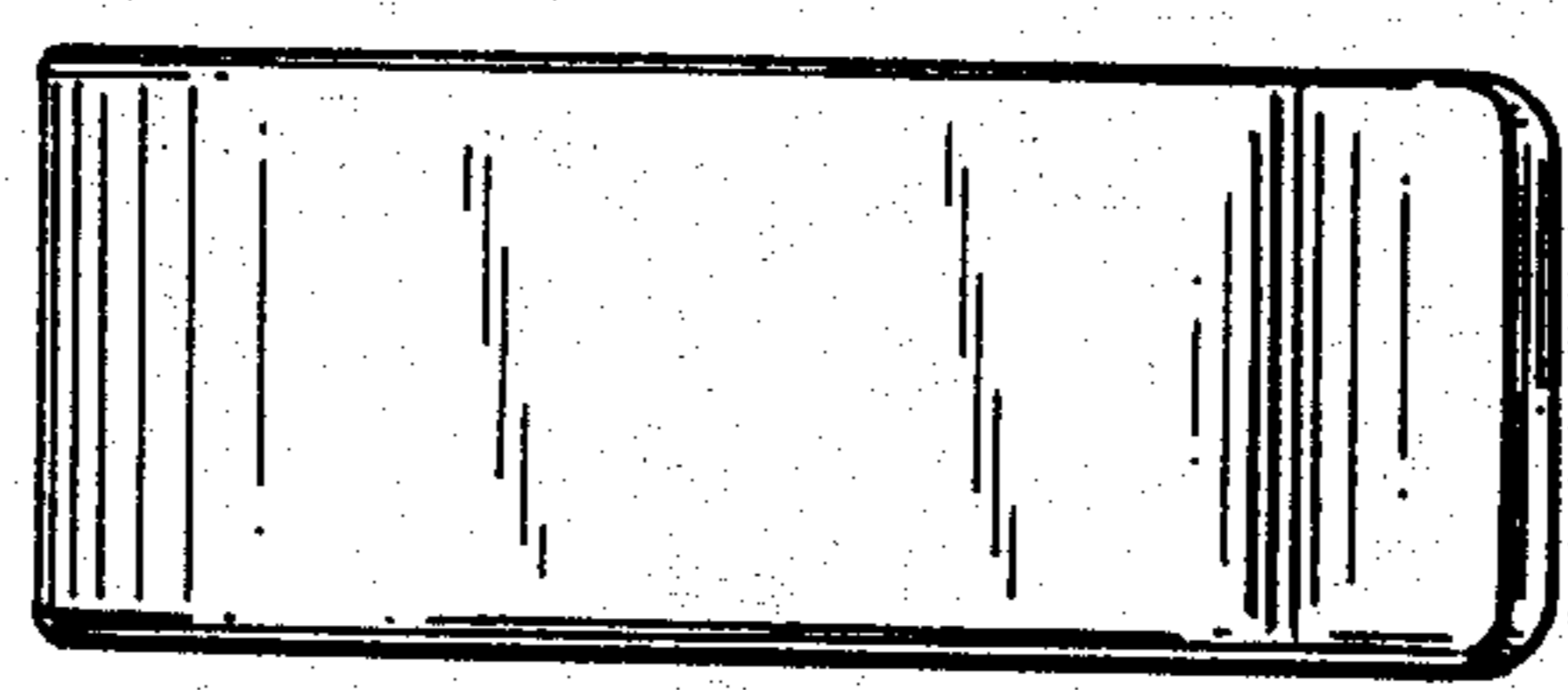


FIG 5

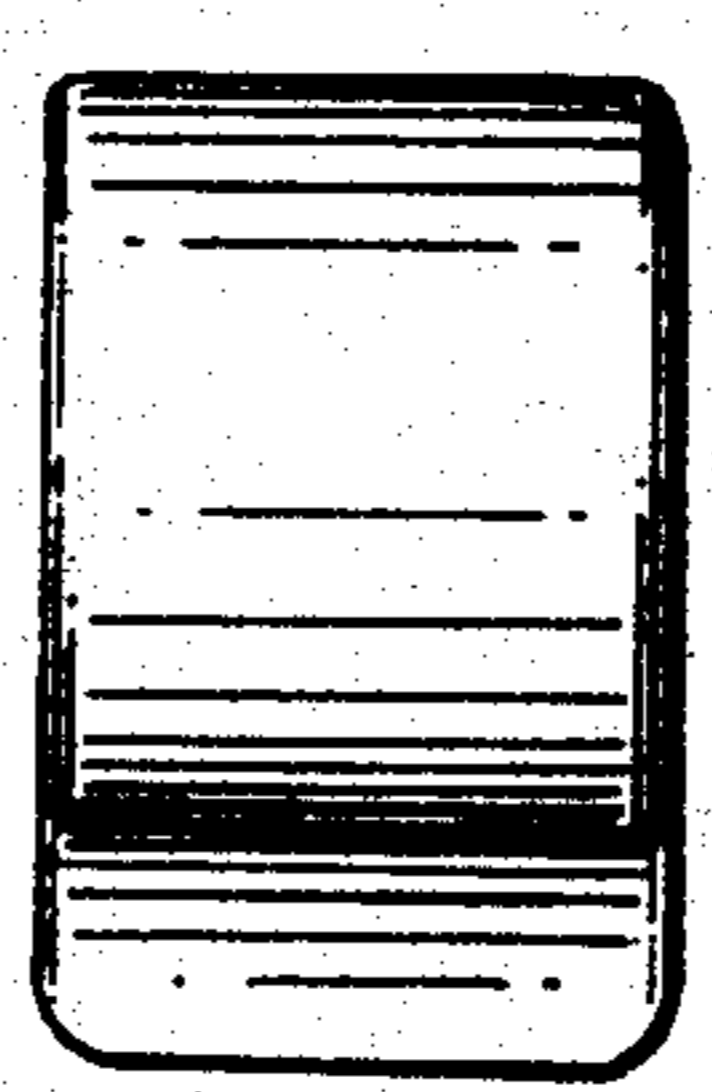


FIG 6