

[54] COMBINED BRACKET AND HOLDER FOR TISSUE BOXES FOR AUTOMOBILES, HOME USE OR THE LIKE

[76] Inventor: Jehuda Nadav, 925 N. Curson, #8, Los Angeles, Calif. 90046

[**] Term: 14 Years

[21] Appl. No.: 338,989

[22] Filed: Jan. 12, 1982

[52] U.S. Cl. D8/373; D3/40; D6/518; D6/553; D6/567; D6/572

[58] Field of Search D6/96, 98, 518, 553, D6/567, 572; D3/39, 40; D8/373; 224/42.45 R; 248/DIG. 5

[56] References Cited

U.S. PATENT DOCUMENTS

2,263,956 11/1941 Russell 248/DIG. 5
2,836,386 5/1958 Iverson 248/DIG. 5

3,685,777 8/1972 Sema 248/DIG. 5
3,801,056 4/1974 Brody 248/DIG. 5
3,917,207 11/1975 Quigley 248/DIG. 5
3,982,717 9/1976 Pavelle et al. 248/DIG. 5
4,176,817 12/1979 Jones 248/DIG. 5

Primary Examiner—B. J. Bullock
Assistant Examiner—Suzanne N. Gitlin

[57] CLAIM

The ornamental design for a combined bracket and holder for tissue boxes for automobiles, home use or the like, as shown.

DESCRIPTION

FIG. 1 is an enlarged front perspective view of a combined bracket and holder for tissue boxes a automobiles, home use or the like showing my new design;
FIG. 2 is a rear elevational view thereof;
FIG. 3 is an exploded side elevational view thereof;
FIG. 4 is an exploded top plan view thereof;
FIG. 5 is a front elevational view thereof.

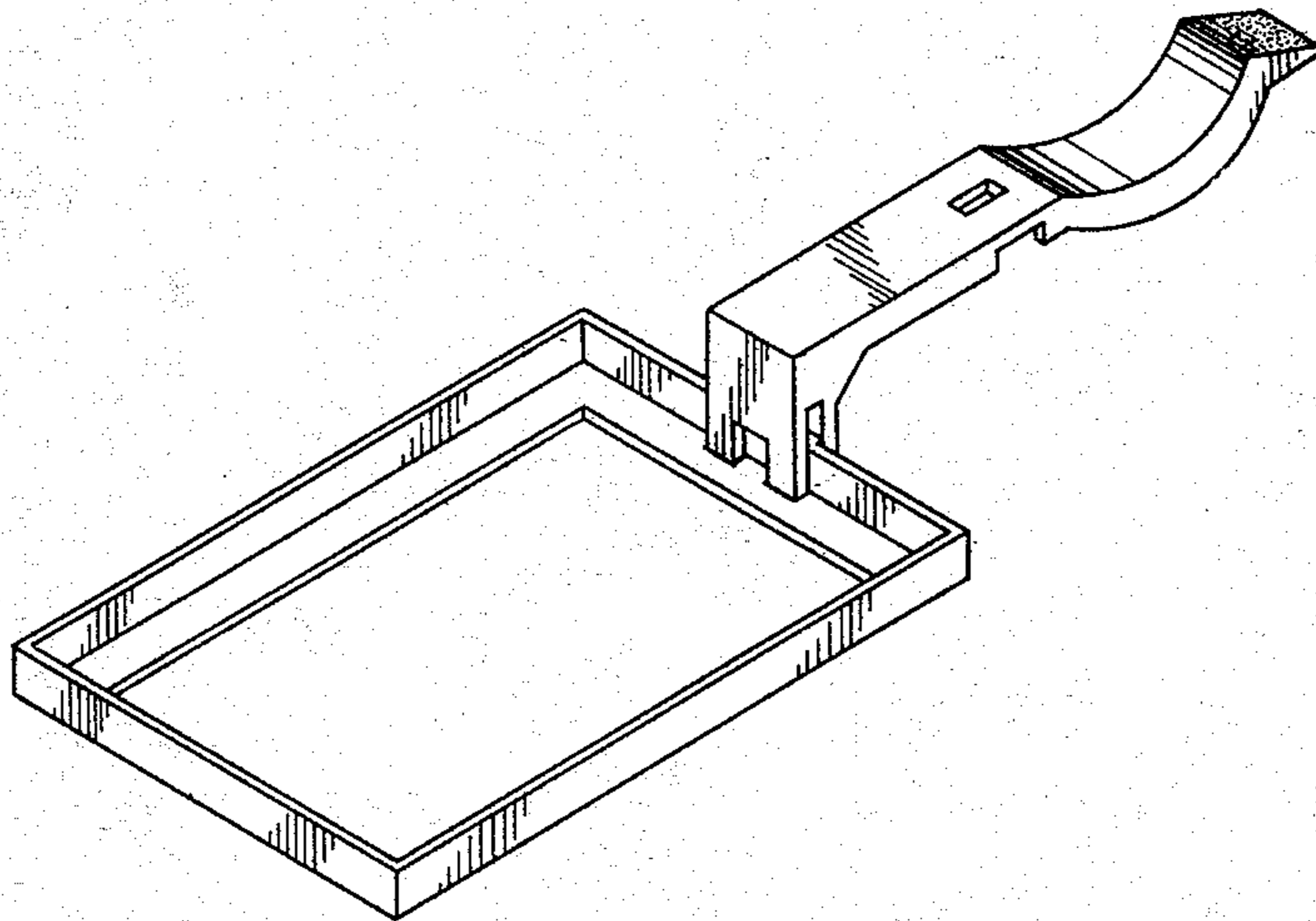


FIG. 1

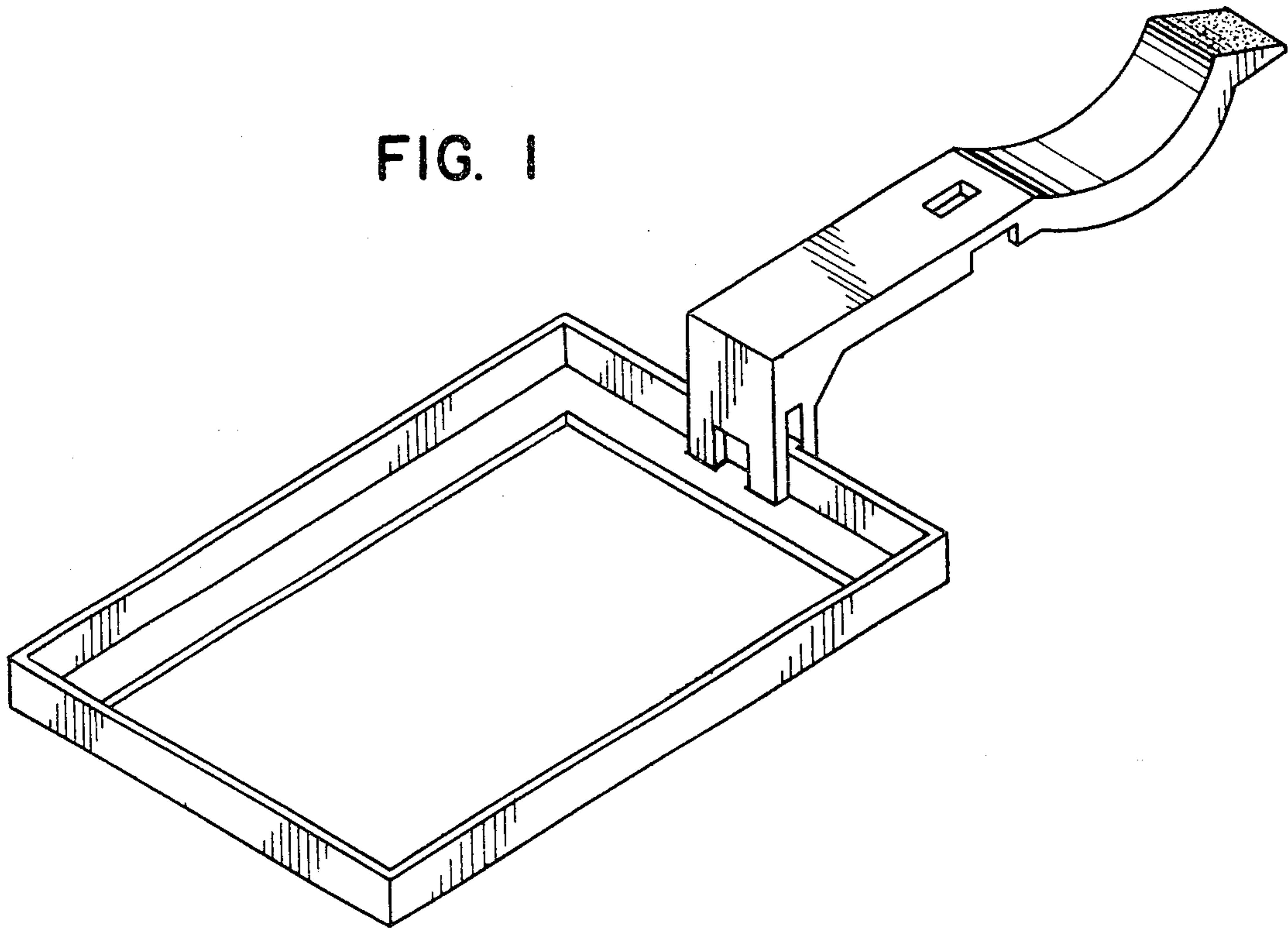


FIG. 2

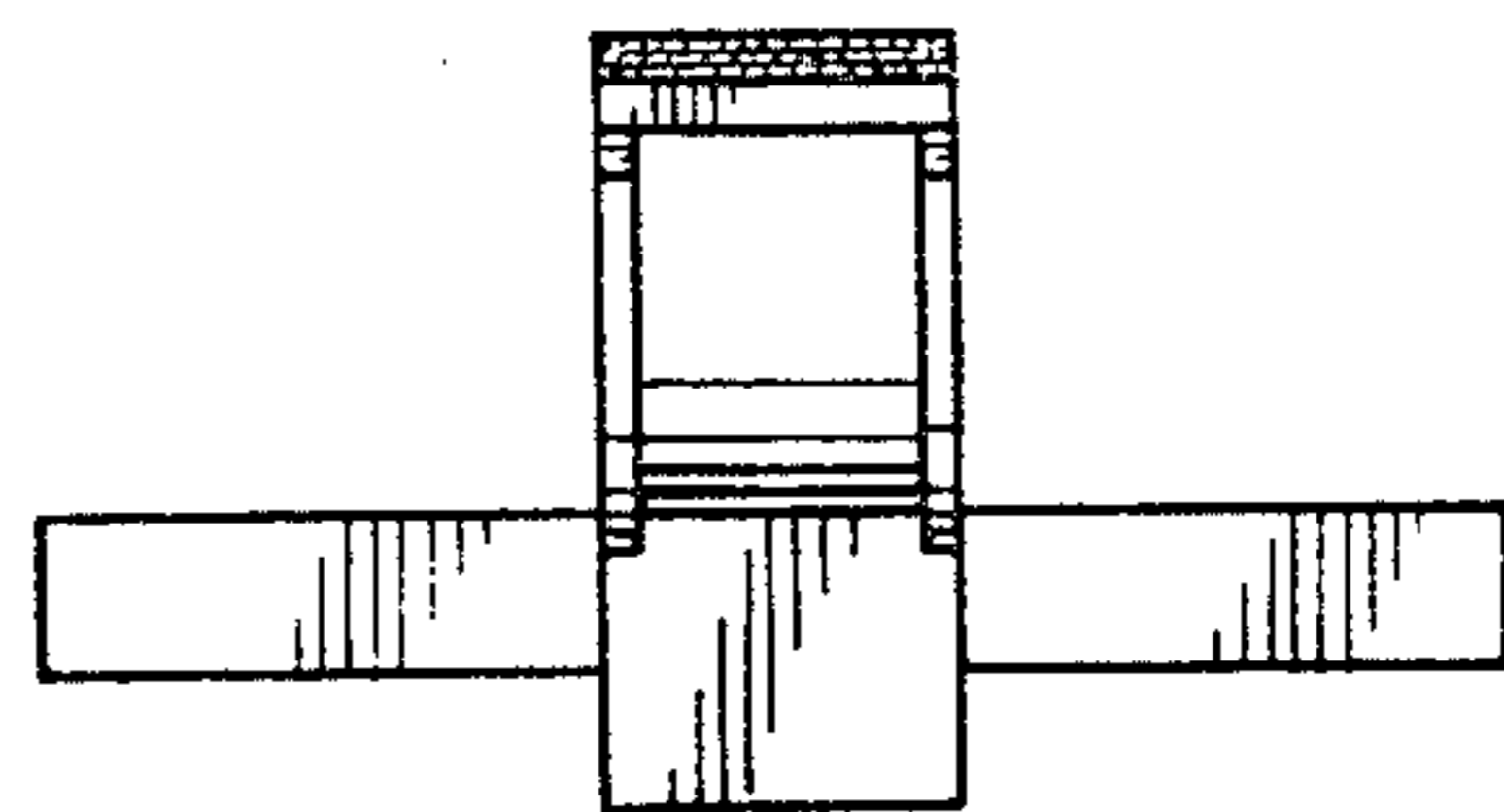


FIG. 5

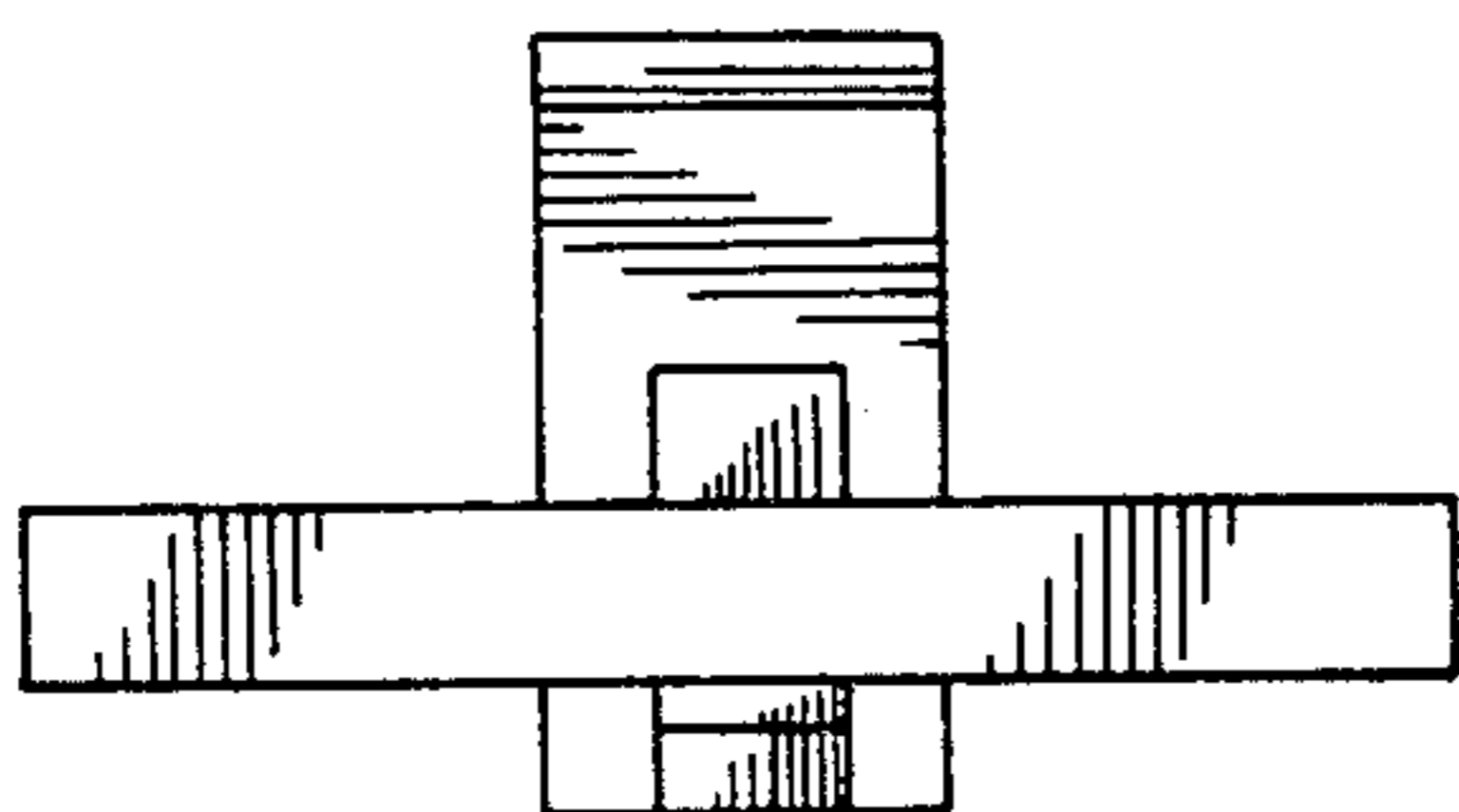


FIG. 4

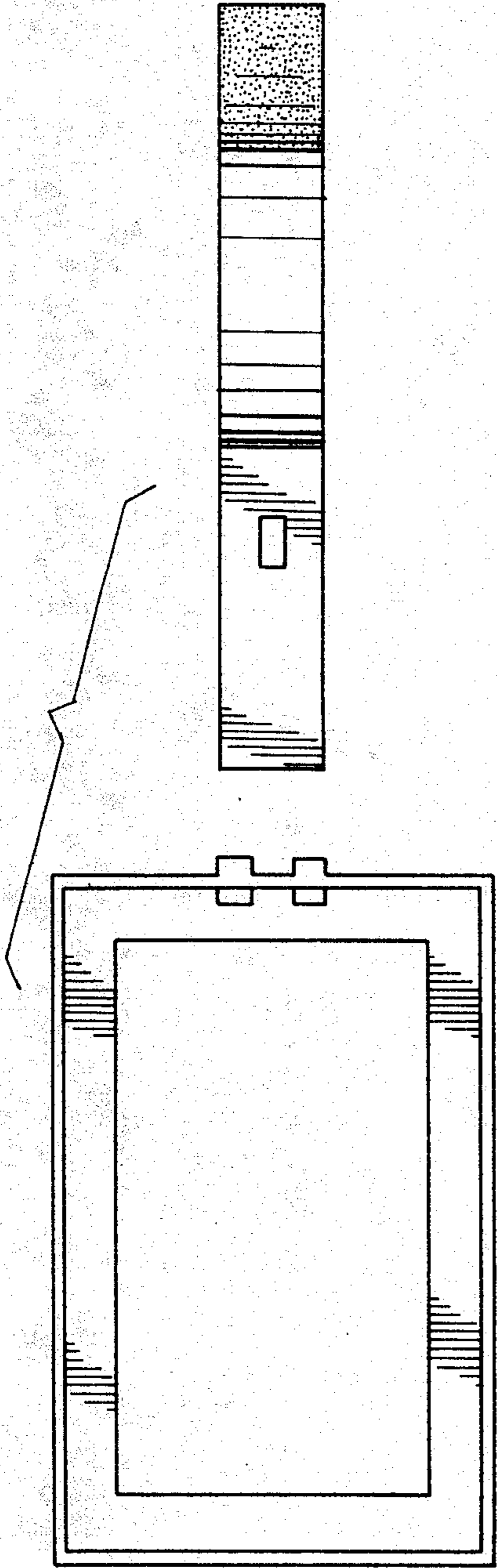


FIG. 3

