

[54] **KITCHEN OVEN**

[56] **References Cited**

[75] **Inventor: Claude Viancin, Rumilly, France**

U.S. PATENT DOCUMENTS

[73] **Assignee: Vivalp, Rumilly, France**

D. 262,349	12/1981	Rinaldi	D7/350
2,898,437	8/1959	McFarland	219/391
4,188,867	2/1980	DeRemer	99/425
4,413,173	11/1983	Grove et al.	219/412

[**] **Term: 14 Years**

Primary Examiner—Wallace R. Burke
Assistant Examiner—Ruth E. Takemoto
Attorney, Agent, or Firm—Roland Plottel

[21] **Appl. No.: 565,041**

[57] **CLAIM**

[22] **Filed: Dec. 23, 1983**

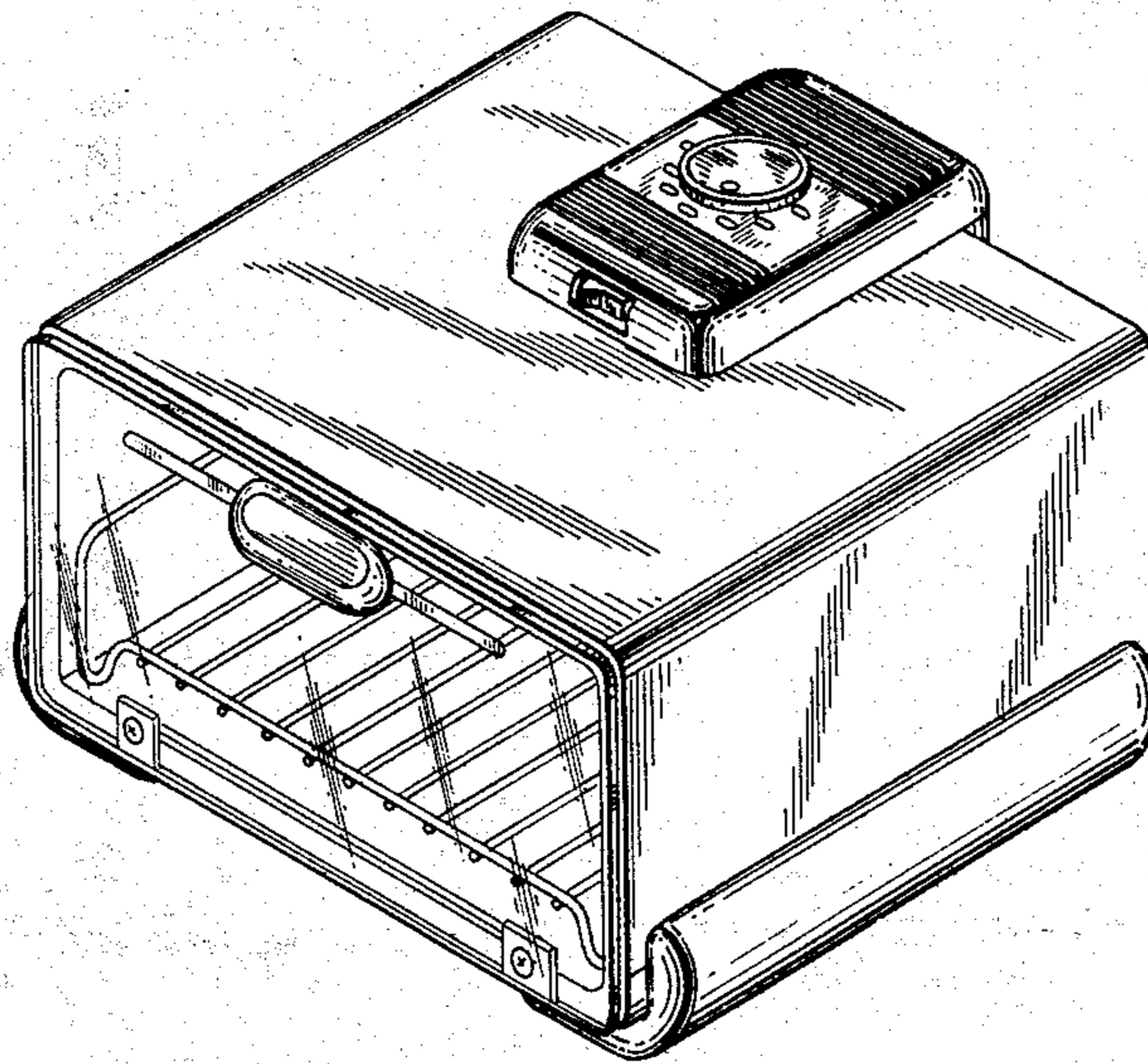
The ornamental design for a kitchen oven, as shown and described.

[30] **Foreign Application Priority Data**

DESCRIPTION

Jun. 24, 1983 [FR] France 832581
 [52] **U.S. Cl.** **D7/350**
 [58] **Field of Search** D7/323, 328-329,
 D7/346-348, 350-351; D23/82; 99/447;
 219/391, 400, 402, 407, 412, 424

FIG. 1 is a front elevational view of a kitchen oven showing my new design;
 FIG. 2 is a side elevational view thereof;
 FIG. 3 is a top plan view thereof;
 FIG. 4 is a rear elevational view thereof; and
 FIG. 5 is a top front perspective view thereof.



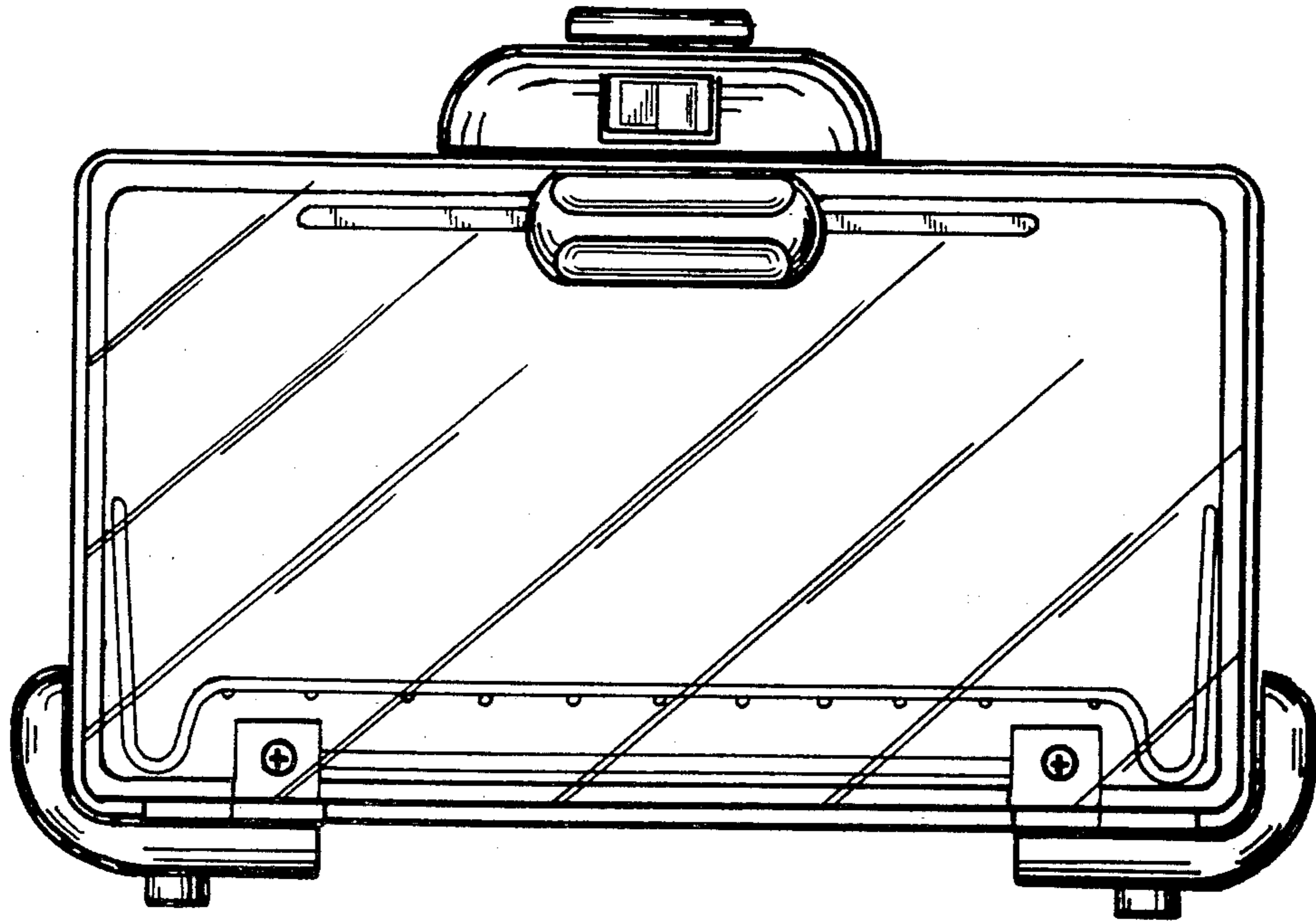


FIG. 1

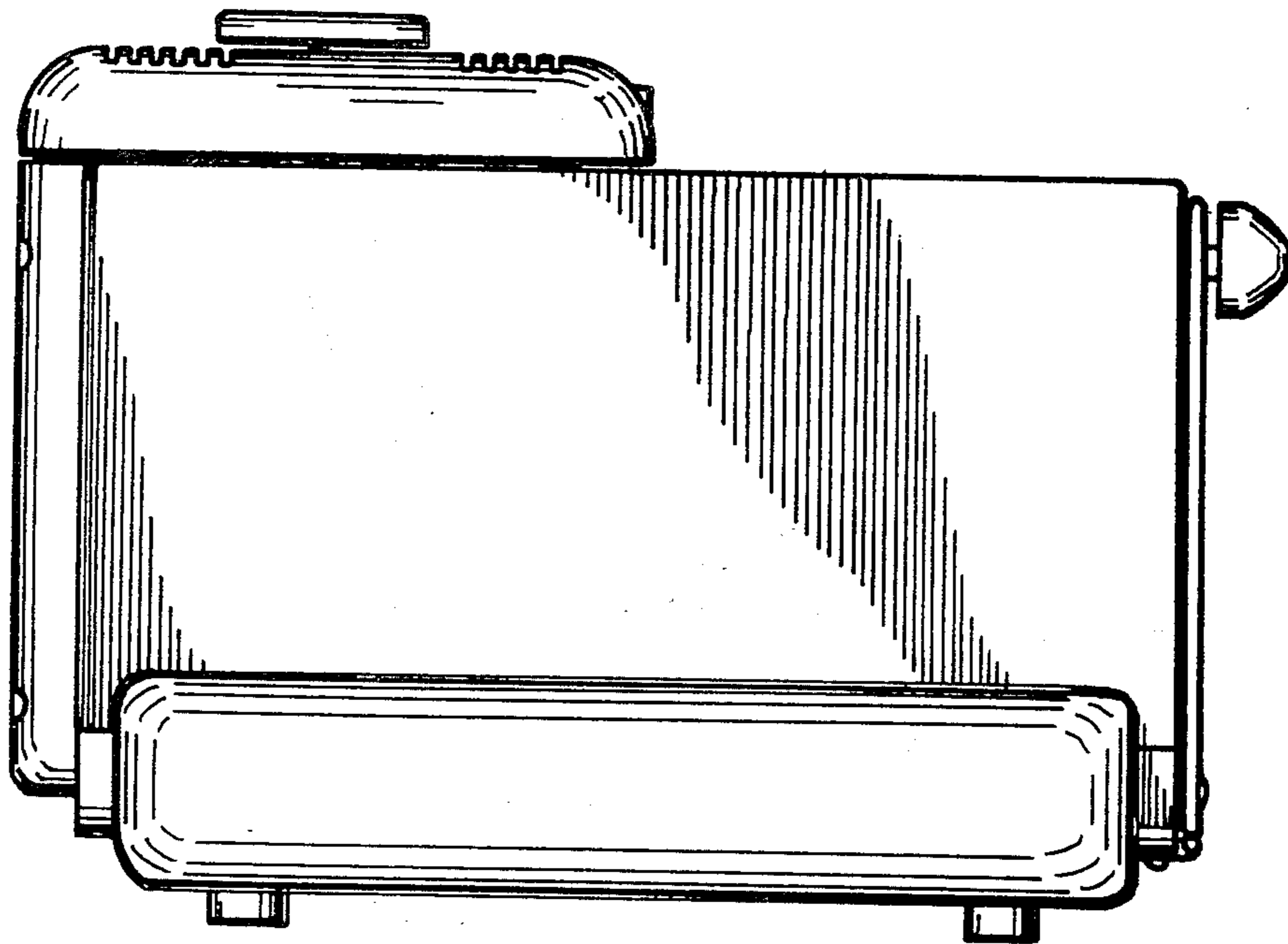


FIG. 2

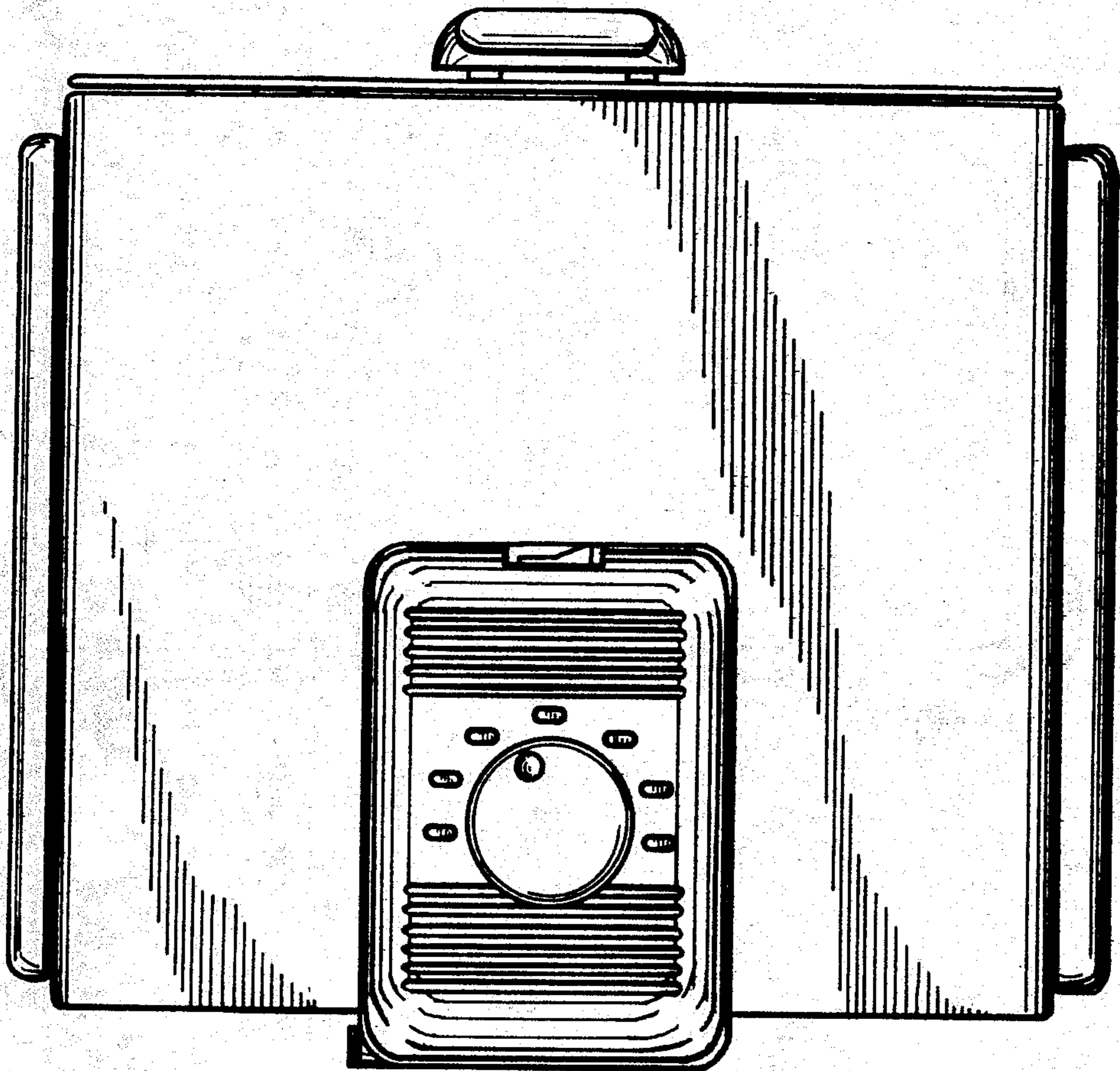


FIG. 3

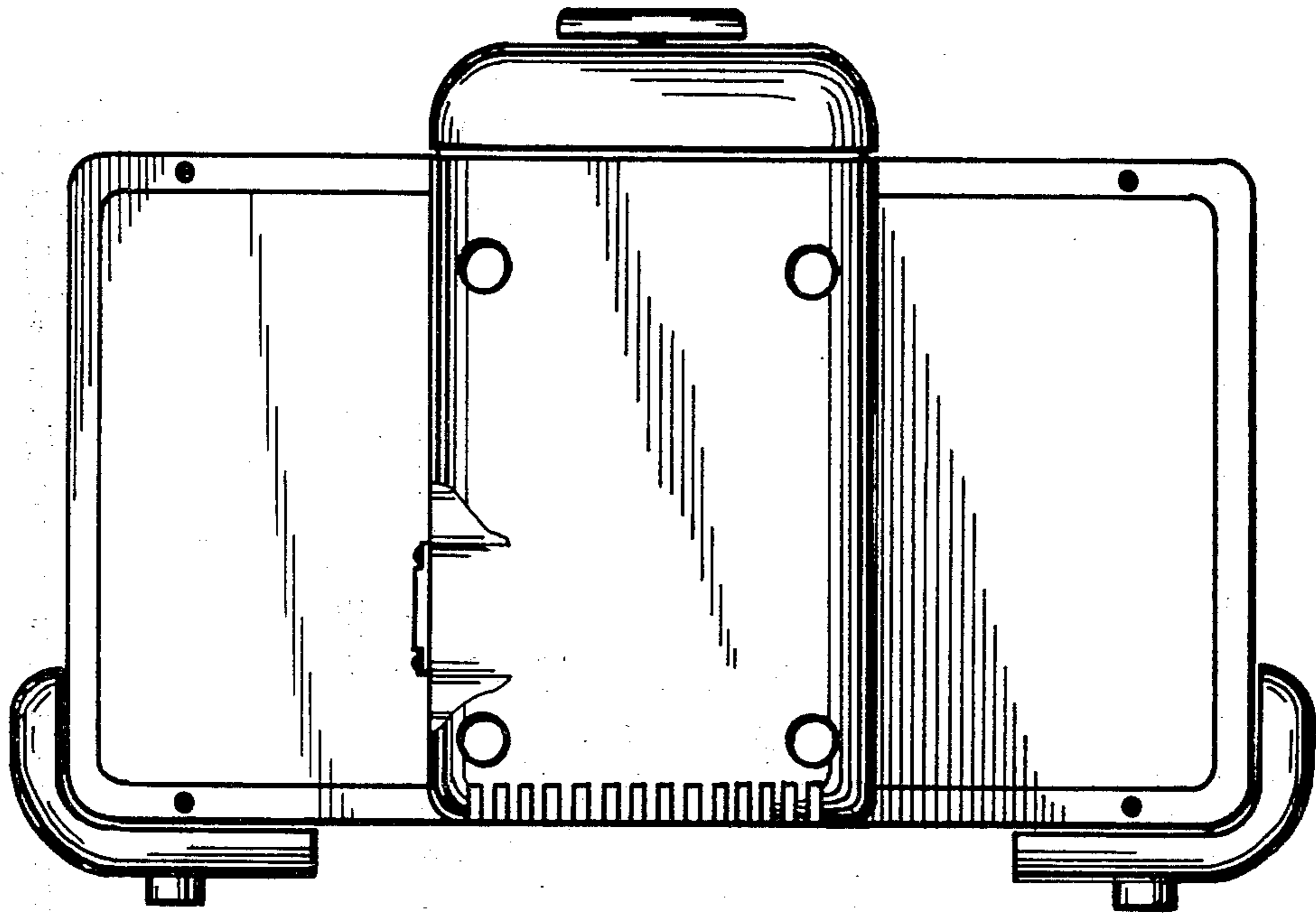


FIG. 4

FIG. 5

