

[54] COMBINED GRILL AND TABLE

[75] Inventor: Dennis Brix, Odense N.Ö., Denmark

[73] Assignee: Vagn Hvam Pedersen, Denmark

[**] Term: 14 Years

[21] Appl. No.: 638,987

[22] Filed: Aug. 8, 1984

[52] U.S. Cl. D7/332

[58] Field of Search D7/323, 327, 331-348, D7/352-355, 357-359, 361-362, 364, 387-388, 402-403, 405-406, 408-409; D32/82; 312/236; 219/386; 99/386, 401, 419, 421-427, 443-450; 126/4, 19 R, 27-28, 25 A, 25 AA, 25 B, 25 C, 25 R, 29-30, 9 A-9 B, 9 R; D6/486

[56] References Cited

U.S. PATENT DOCUMENTS

D. 262,427 12/1981 Boston et al. D7/333

3,474,725 10/1969 McClaren 99/401
3,980,027 9/1976 Maes D6/486

Primary Examiner—Catherine E. Kemper
Assistant Examiner—Ruth E. Takemoto
Attorney, Agent, or Firm—Antonelli, Terry & Wands

[57] CLAIM

The ornamental design for a combined grill and table, as shown and described.

DESCRIPTION

FIG. 1 is a front perspective view of a combined grill and table showing my new design;

FIG. 2 is a corresponding perspective view thereof with the central grill element covered by a circular cover plate.

The characteristic feature of my design resides in the fact that the central grill element is selectively coverable by the circular cover plate member.

All sides are identical to the sides shown in FIGS. 1 and 2.

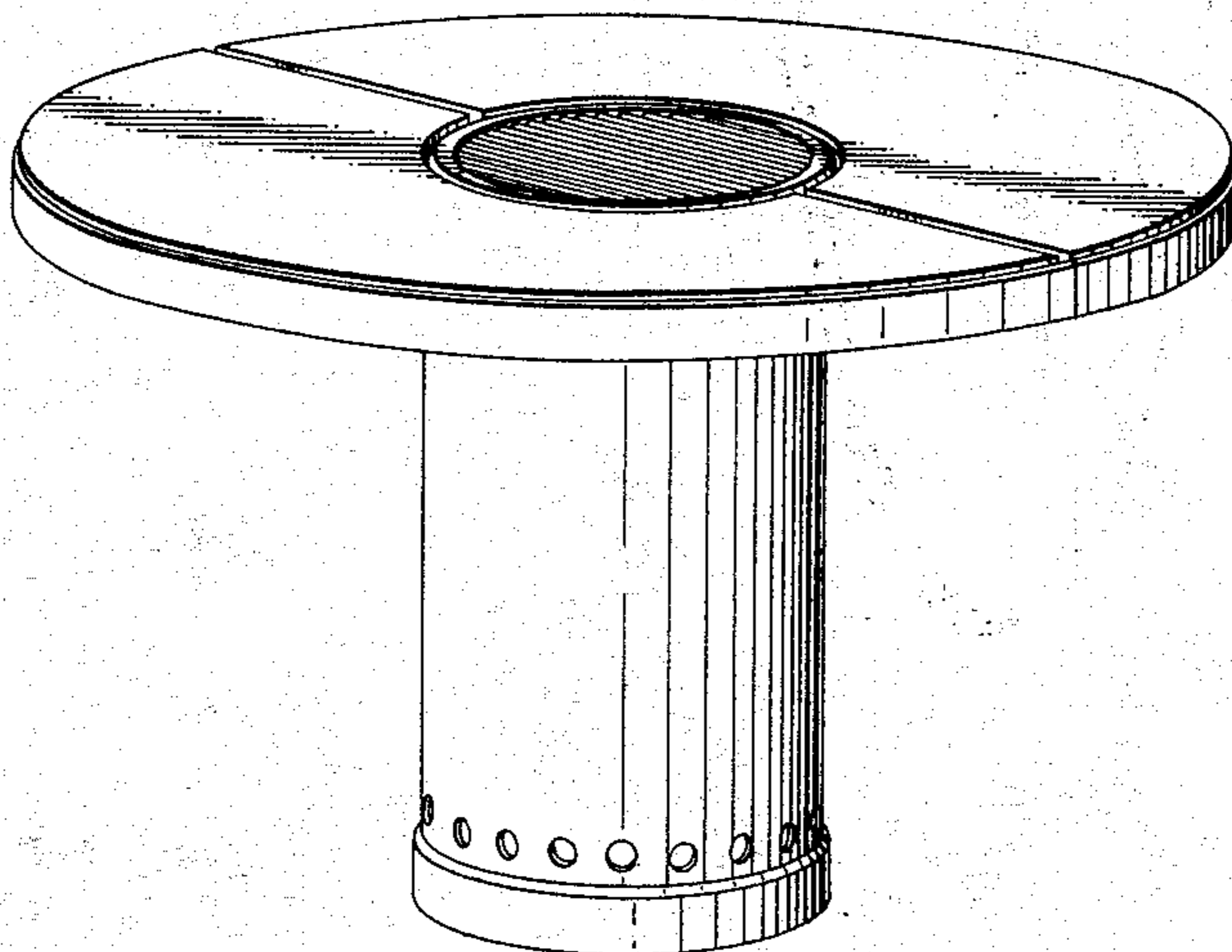


FIG. 1.

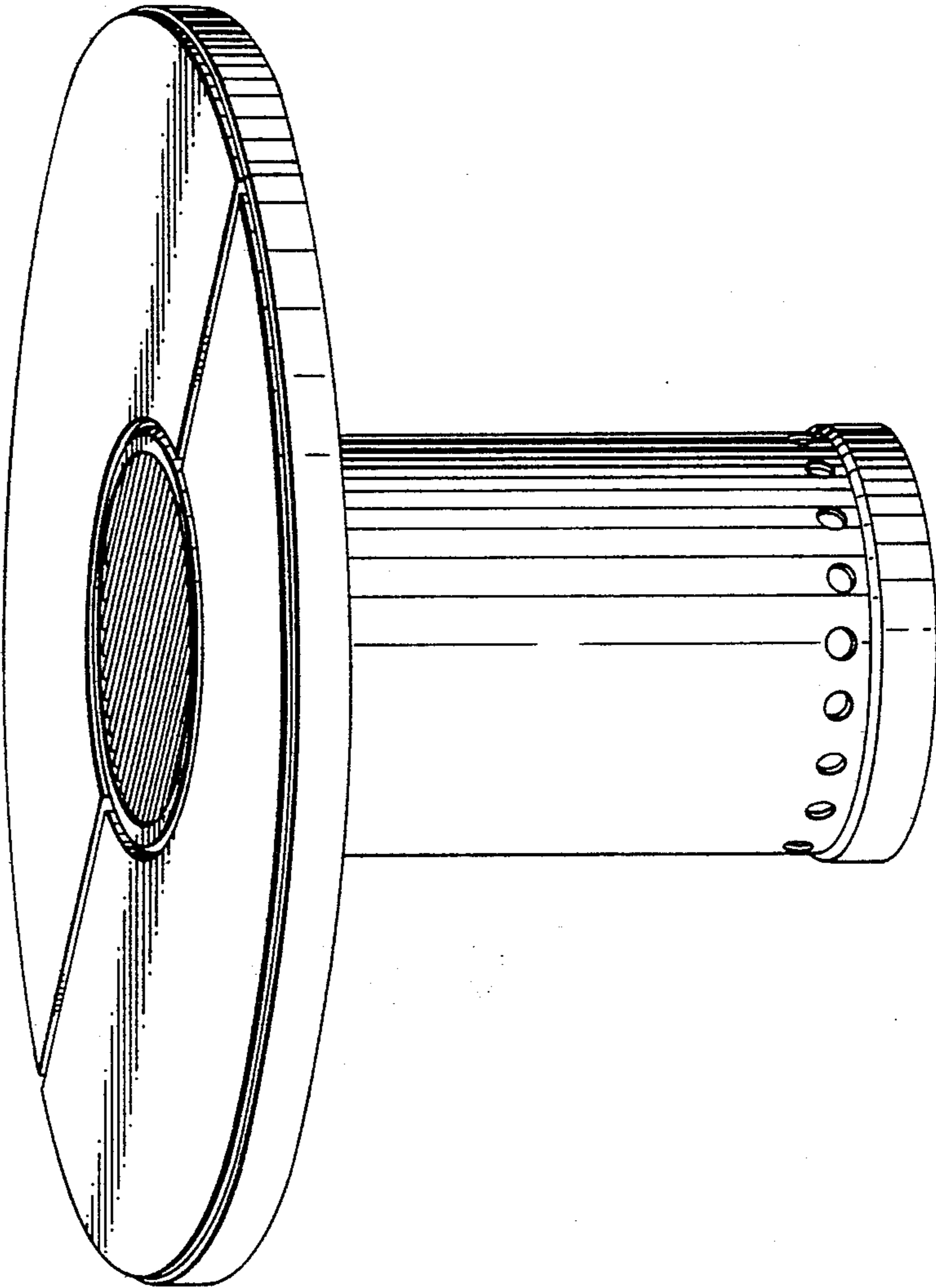


FIG. 2.

