

[54] **CONTACT PAD FOR FOLDING CHAIR**

[76] **Inventor: Howell N. Cornell, 7310 SW. 4th Ct., Miami, Fla. 33143**

[**] **Term: 14 Years**

[21] **Appl. No.: 522,504**

[22] **Filed: Aug. 12, 1983**

[52] **U.S. Cl. D6/491**

[58] **Field of Search D6/353, 368, 429, 491; 248/164, 431; 297/45, 56**

[56] **References Cited**

U.S. PATENT DOCUMENTS

509,005	11/1893	Voeltzkow	248/431
1,896,446	2/1933	Goeller	248/431 X
2,368,740	2/1945	Blomgren	248/164 X
2,823,088	2/1958	Herrschaft	248/431 X
2,845,317	7/1958	Orman	248/164

3,298,537	1/1967	DiMarco	248/431 X
4,184,711	1/1980	Wakimoto	248/164 X
4,423,849	1/1984	Jordan	248/431 X
4,536,026	9/1985	Cornell .	

Primary Examiner—Bruce W. Dunkins
Attorney, Agent, or Firm—Steele, Gould & Fried

[57] **CLAIM**

The ornamental design for a contact pad for folding chair, as shown or described.

DESCRIPTION

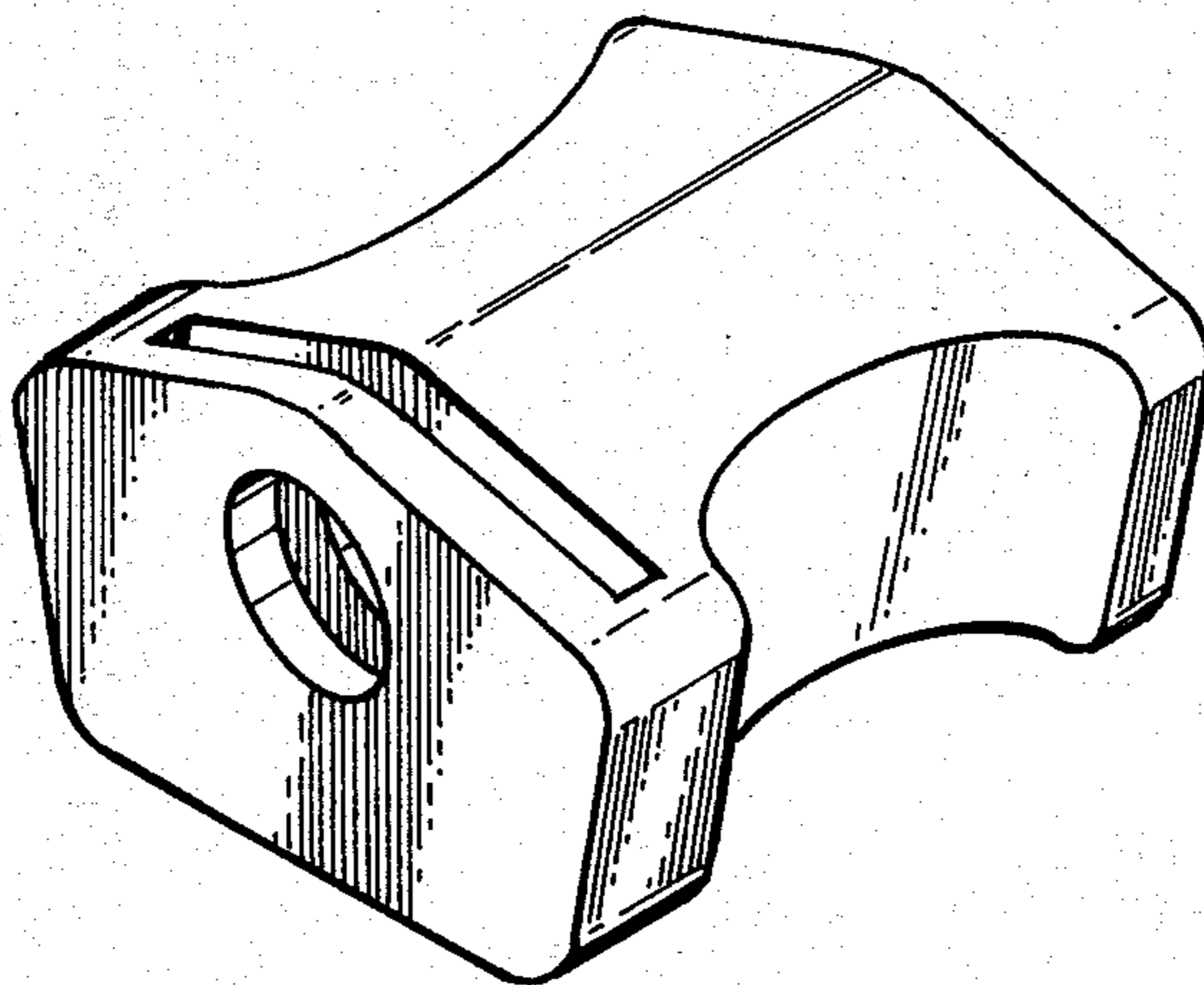
FIG. 1 is a perspective view of a contact pad for folding chair incorporating the ornamental features of my design;

FIG. 2 is a top plan view thereof;

FIG. 3 is a front elevational view thereof;

FIG. 4 is a side elevation view thereof, the opposite side being a mirror image of said side elevation; and,

FIG. 5 is a bottom plan view thereof.



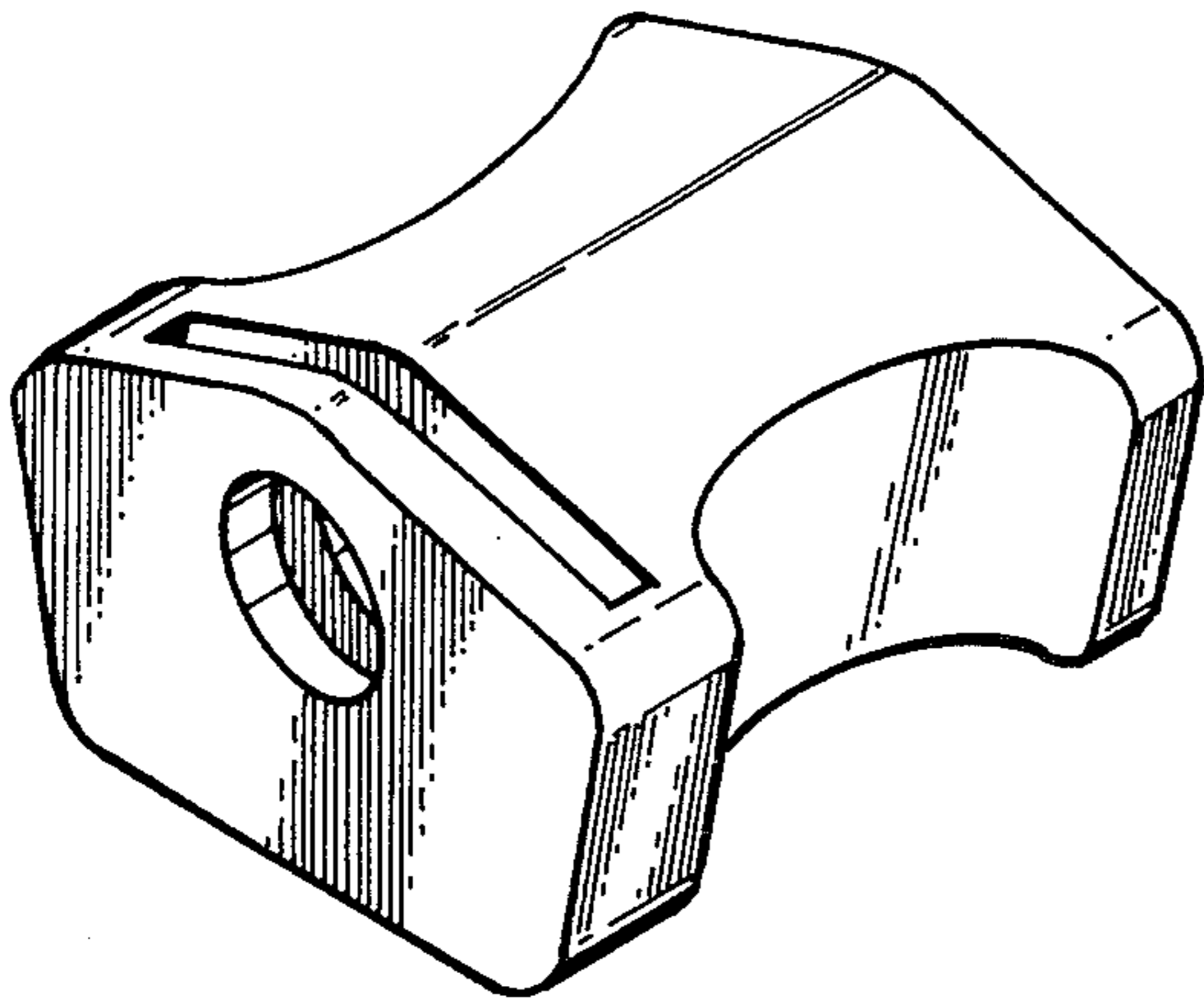


FIG. 1

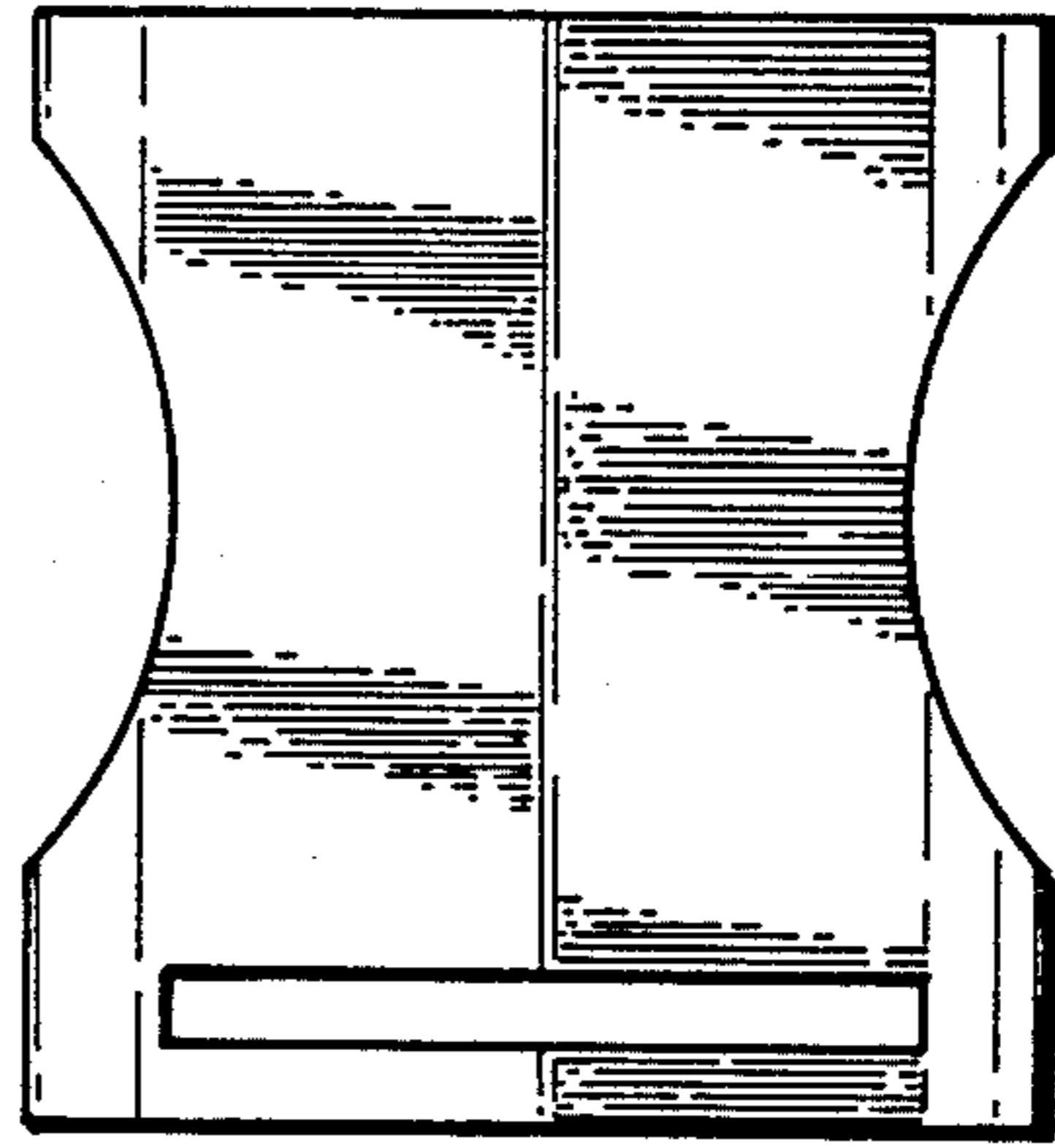


FIG. 2

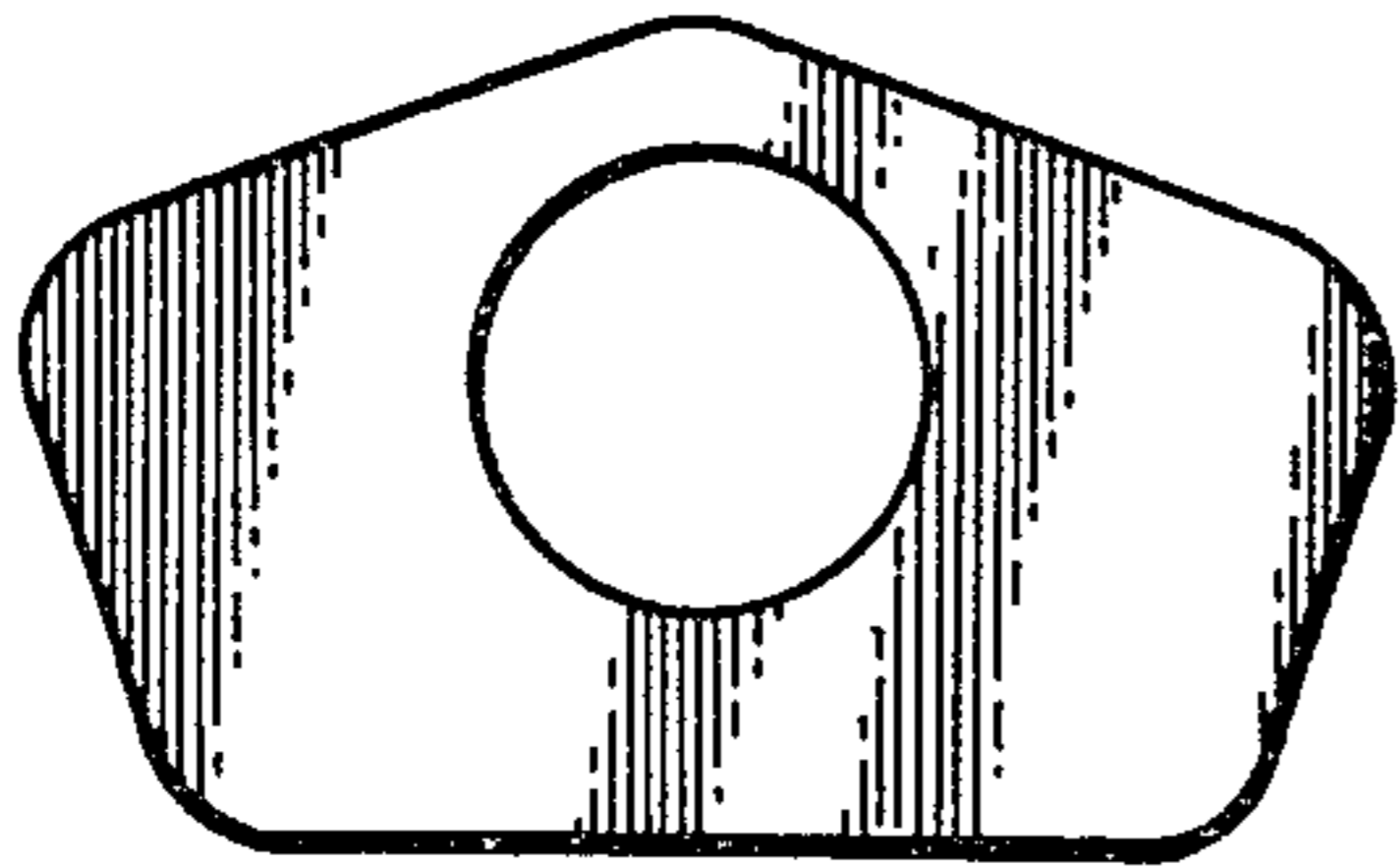


FIG. 3

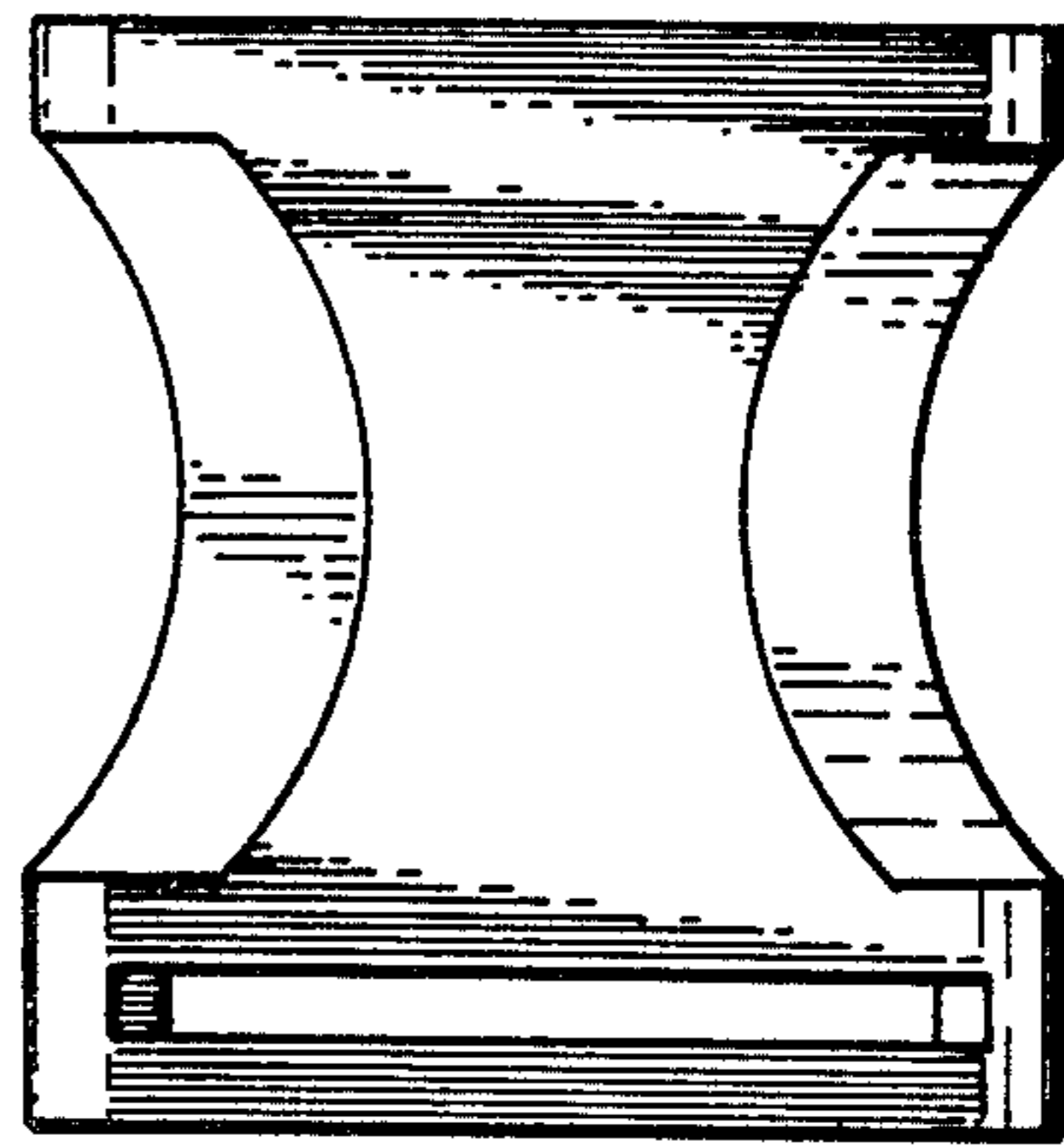


FIG. 4

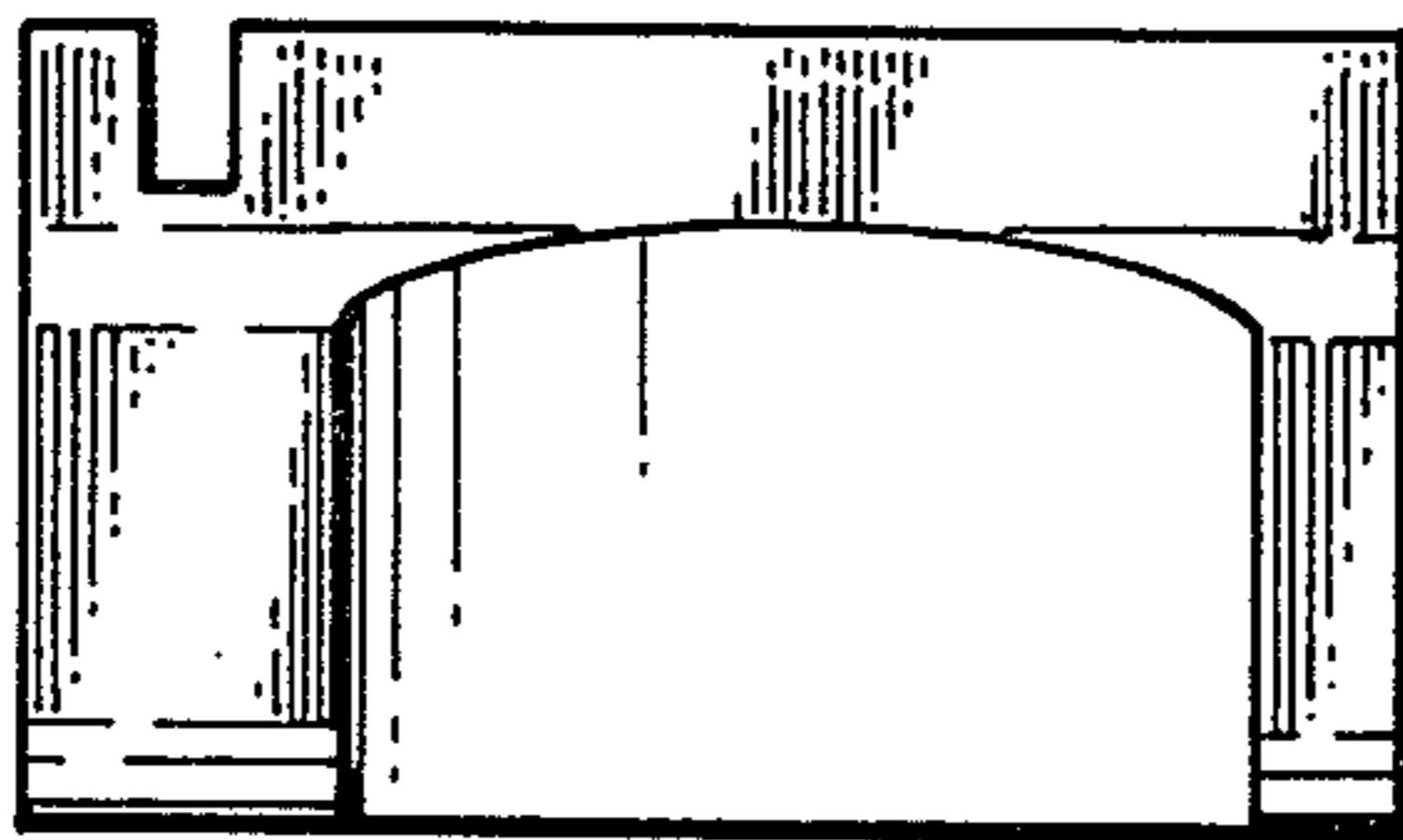


FIG. 5