

[54] DISPENSER BIN FOR EDIBLE PRODUCTS SUCH AS NUTS, CANDIES AND THE LIKE

[75] Inventor: Salvatore A. Genna, New Haven, Conn.

[73] Assignee: Neil A. Russo, East Haven, Conn. ; a part interest

[**] Term: 14 Years

[21] Appl. No.: 595,000

[22] Filed: Mar. 29, 1984

[52] U.S. Cl. D6/475; D6/408; D6/476; D6/515; D7/75

[58] Field of Search D6/449, 470, 471, 475, D6/476, 515, 517, 518, 520, 408, 569, 573, 574; D9/341, 424; D3/39; D7/75; D19/85, 78; D28/73, 76; 211/60.1, 59.2, 59.4; 312/45, 50, 71, 72; 221/191, 193, 194, 195, 196

[56] References Cited

U.S. PATENT DOCUMENTS

D. 163,685	6/1951	Foster	D19/78
D. 183,031	6/1958	Tarte, Jr.	D19/85 X
D. 191,537	10/1961	Gavrin	D6/408
D. 254,530	3/1980	Armstrong	D7/75
D. 276,683	12/1984	Silva	D7/75
1,235,341	7/1917	Lewis	221/196
2,922,552	1/1960	Berger et al.	211/72 X
3,809,448	5/1974	Rakaska	312/45 X

OTHER PUBLICATIONS

Beacon Acrylics , 1980, ©1979, p. 2; Clear Plastic Trio Chest #AC-20, top of page. Armstrong Store Fixture Corp.-"Prism" Flyer, cover page; Bins on Display on page.

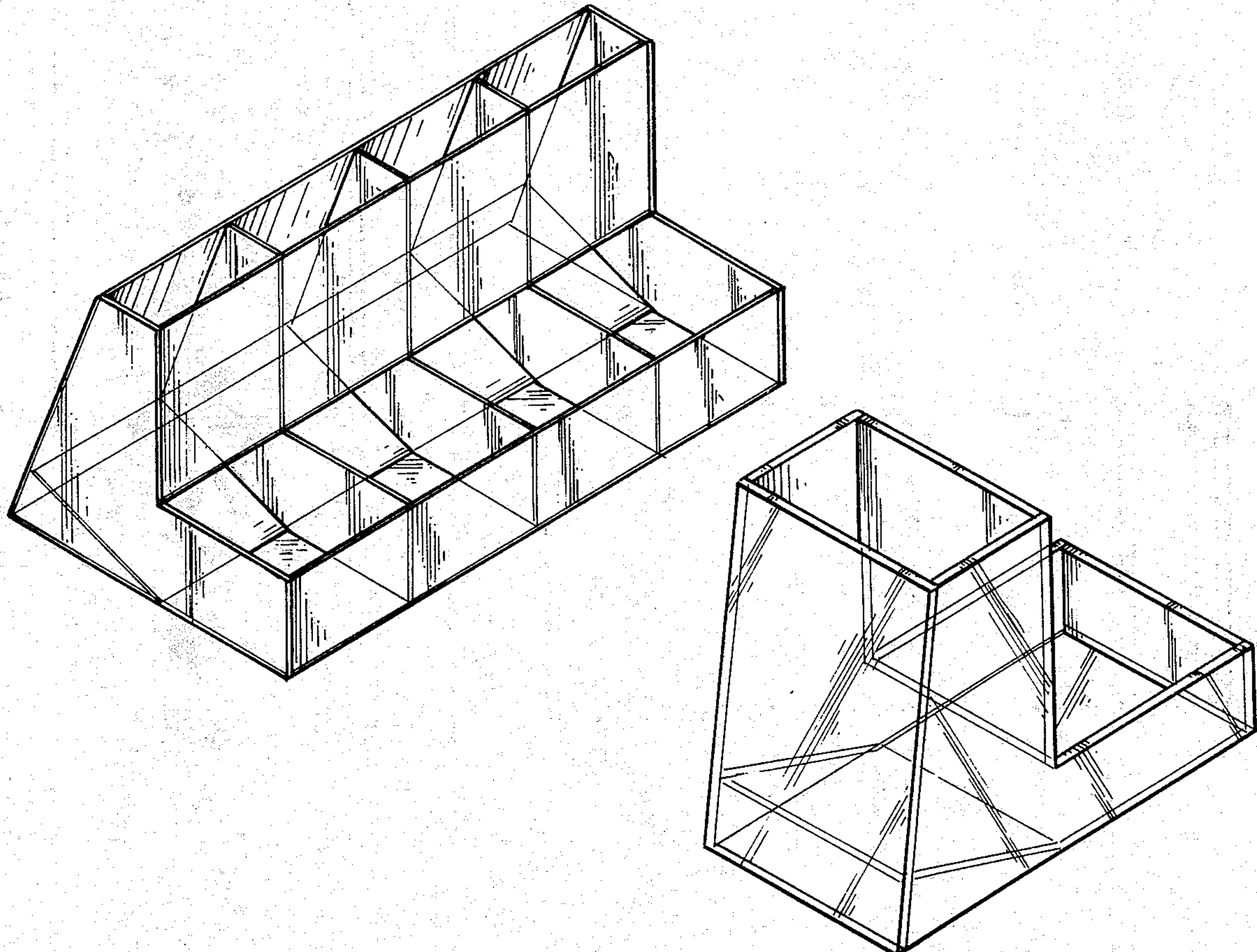
Primary Examiner—Carmen H. Vales
Attorney, Agent, or Firm—Costas, Montgomery & Dorman

CLAIM

The ornamental design for a display and dispenser bin for edible products such as nuts, candies and the like, as shown.

DESCRIPTION

FIG. 1 is a perspective view of a display and dispenser bin for edible products such as nuts, candies and the like showing my new design; FIG. 2 is a front elevational view thereof; FIG. 3 is a bottom plan view thereof; FIG. 4 is a top plan view thereof; FIG. 5 is a rear elevational view thereof; FIG. 6 is a perspective view of a modified embodiment of the display and dispenser bin for edible products such as nuts, candies and the like shown in FIG. 1; FIG. 7 is a front elevational view thereof; FIG. 8 is a top plan view thereof; FIG. 9 is a left side elevational view thereof; FIG. 10 is a rear elevational view thereof; and FIG. 11 is a bottom plan view thereof.



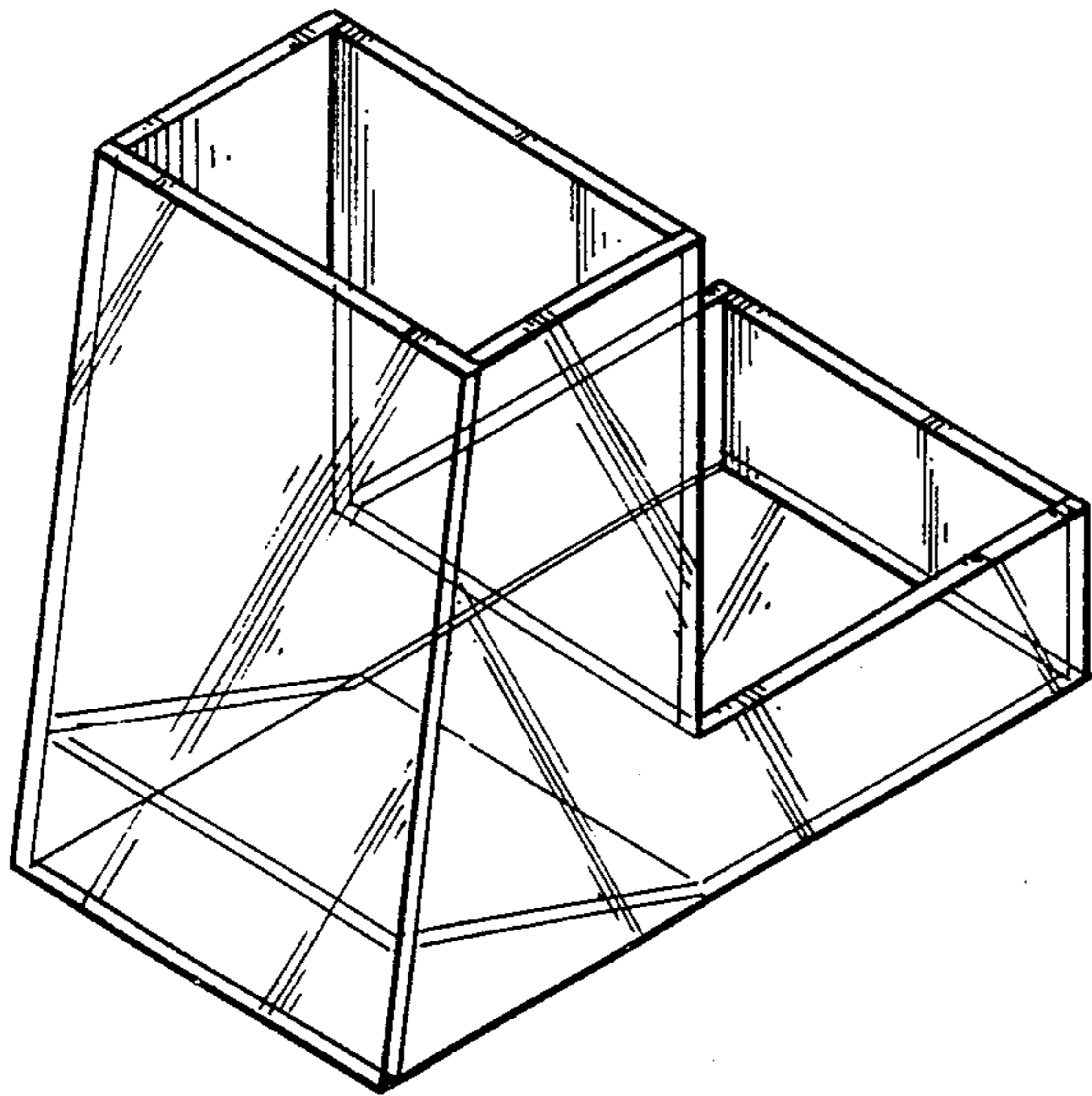


FIG-1

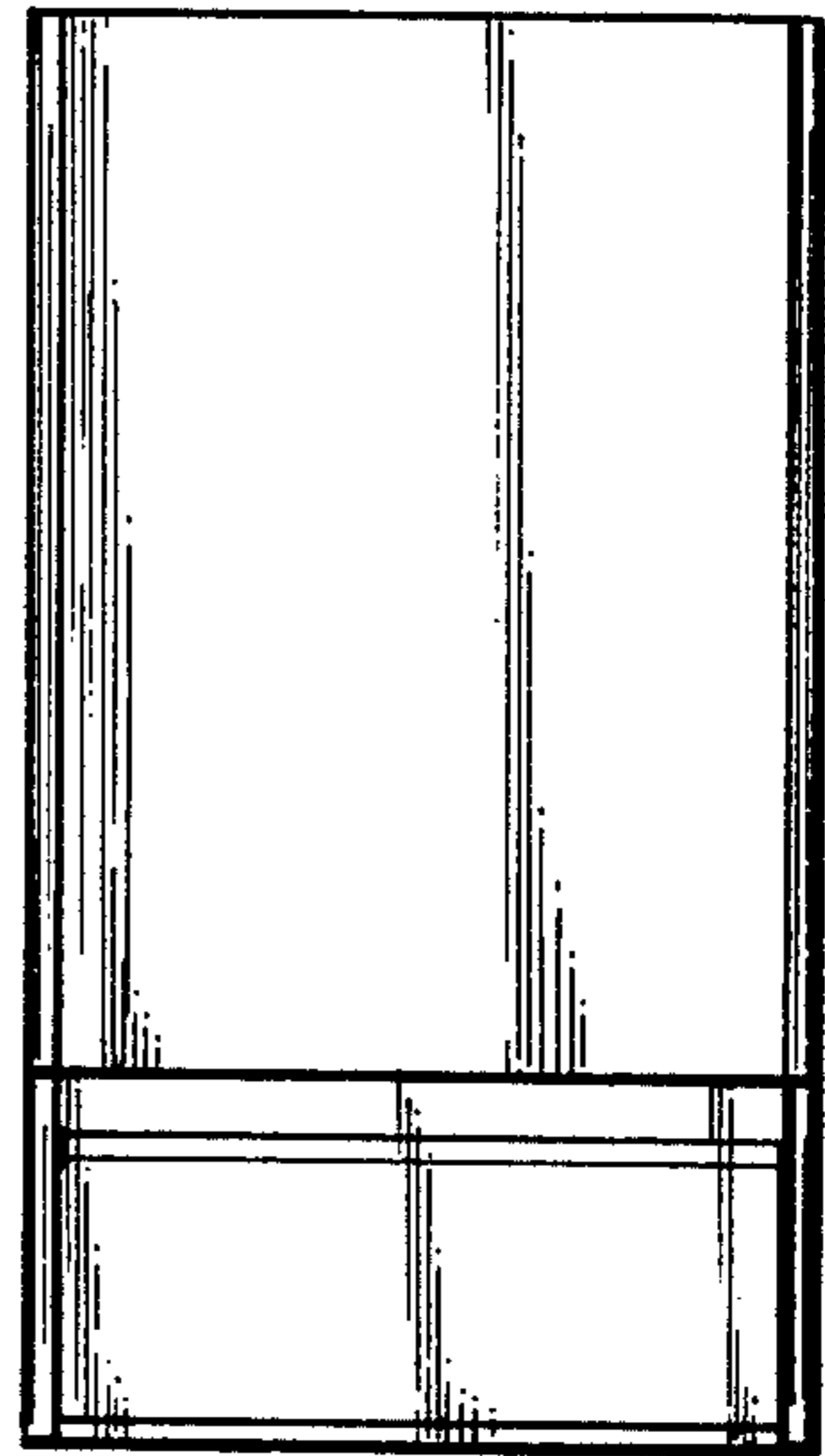


FIG-2

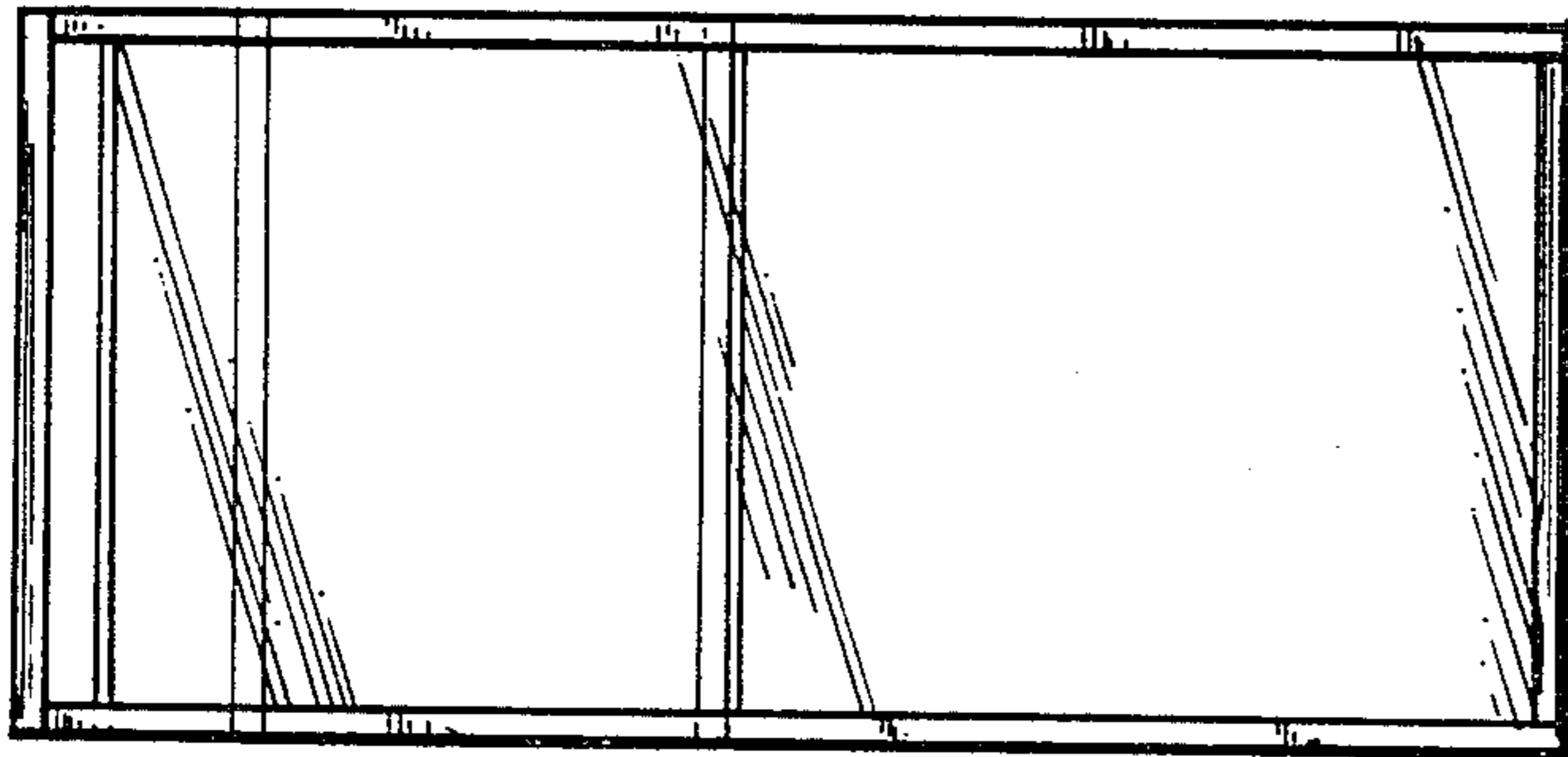


FIG-3

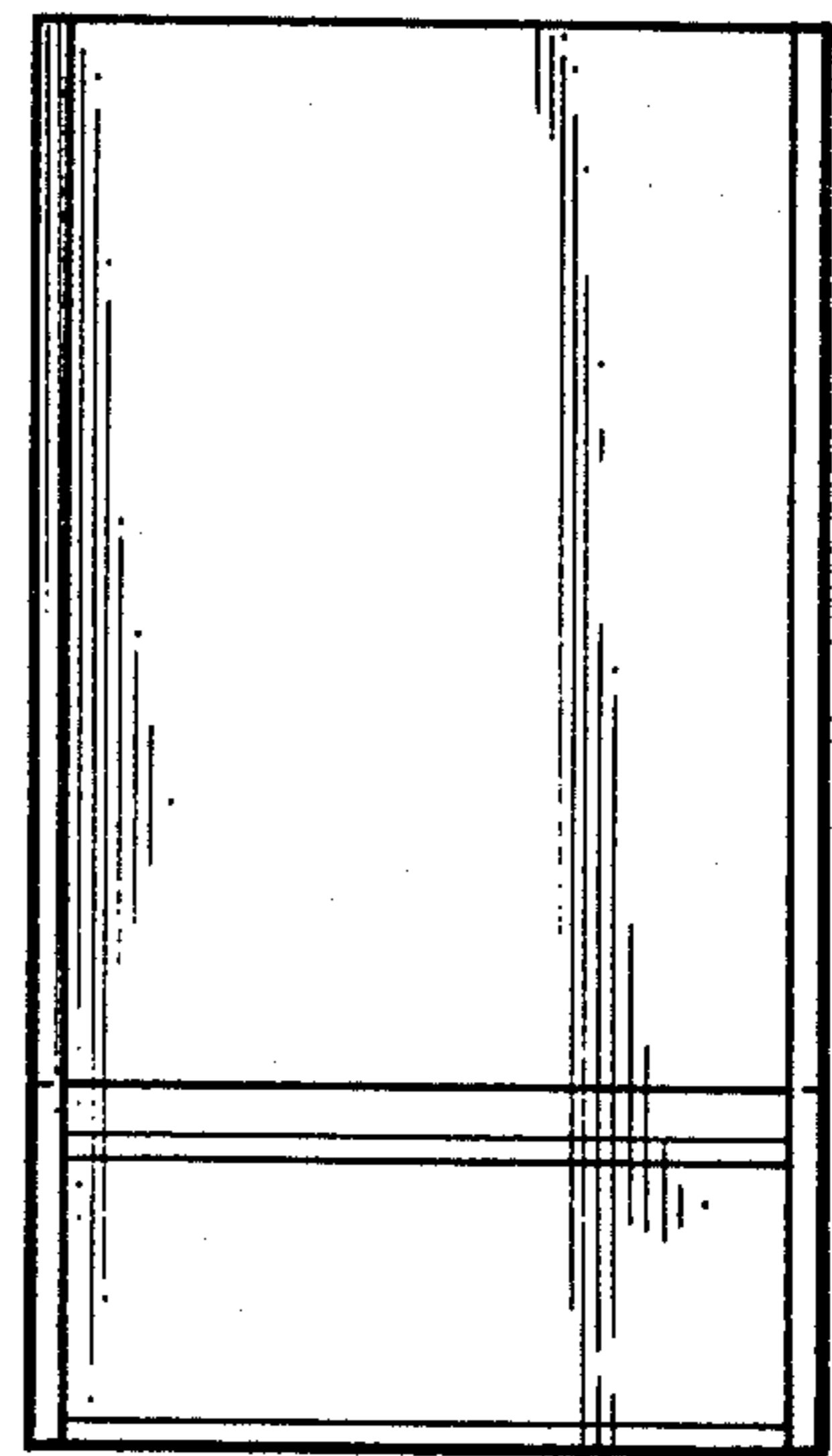


FIG-5

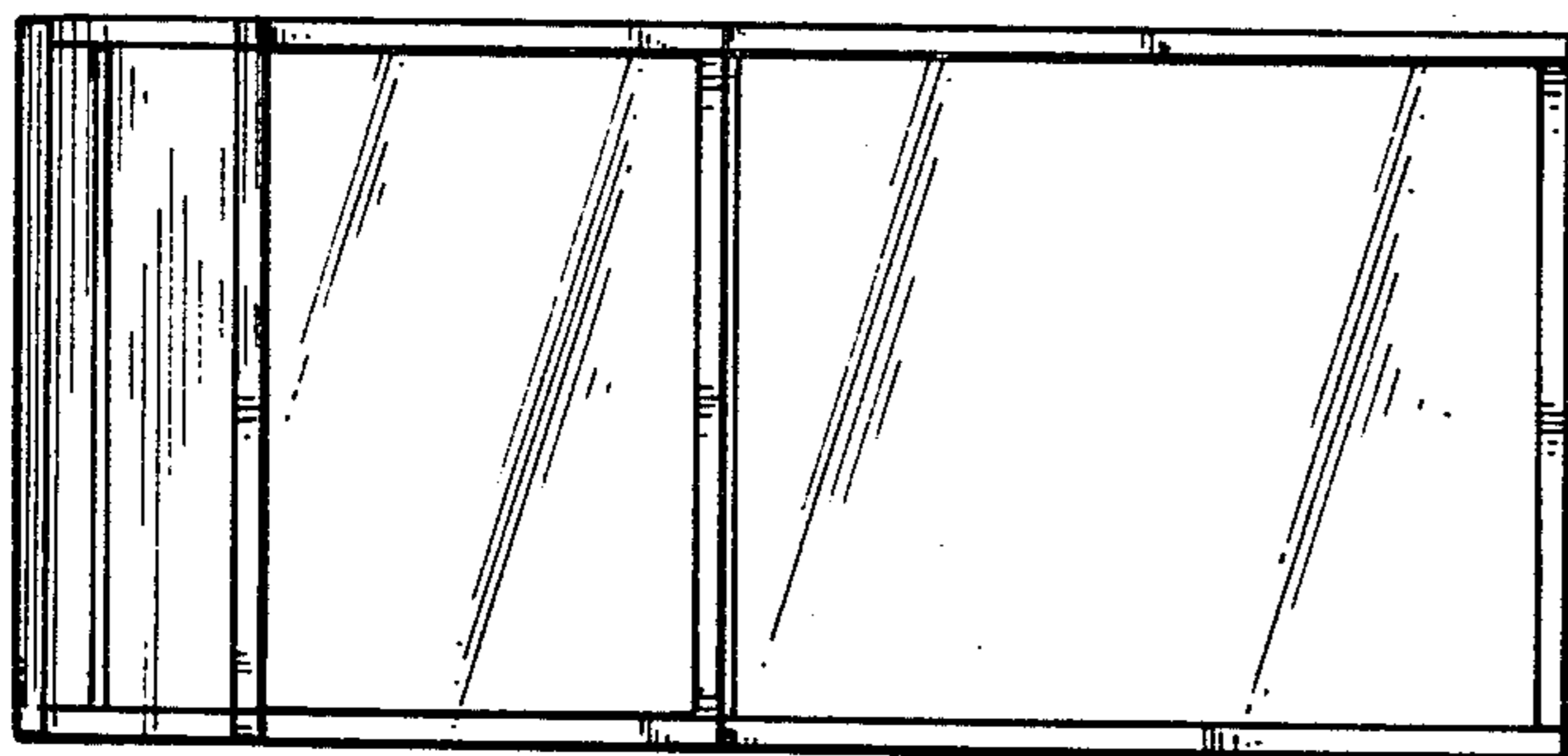


FIG-4

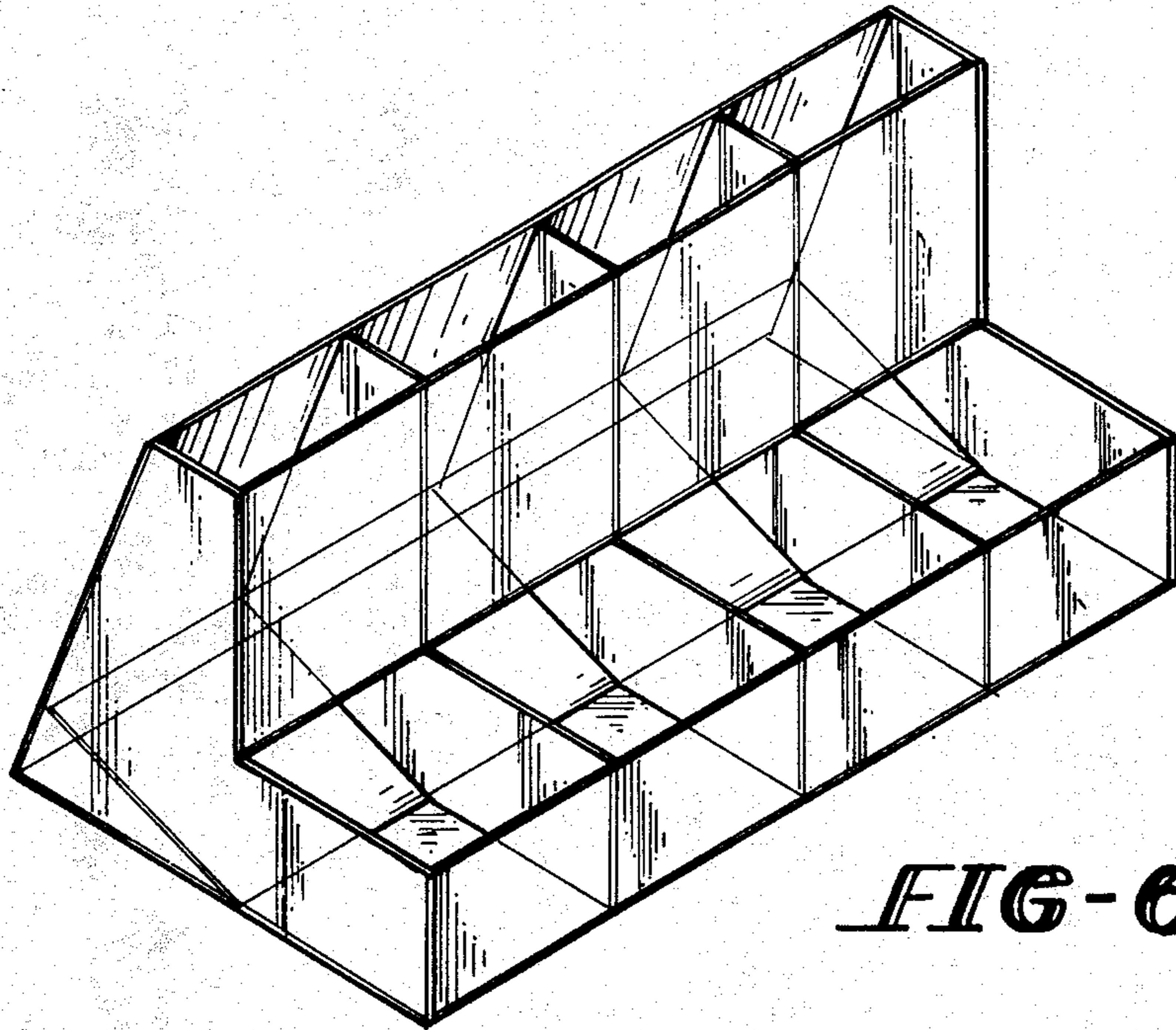


FIG-6

FIG-7

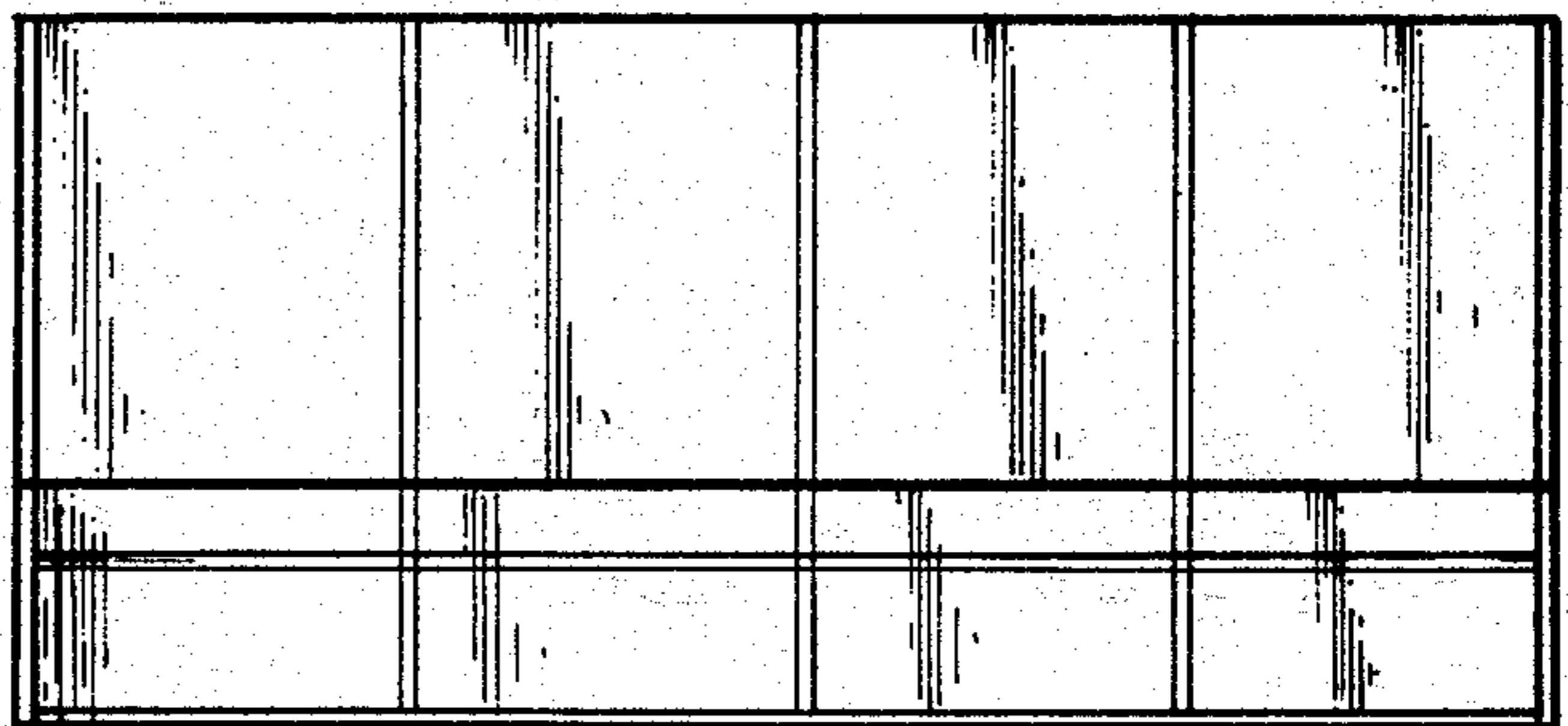


FIG-8

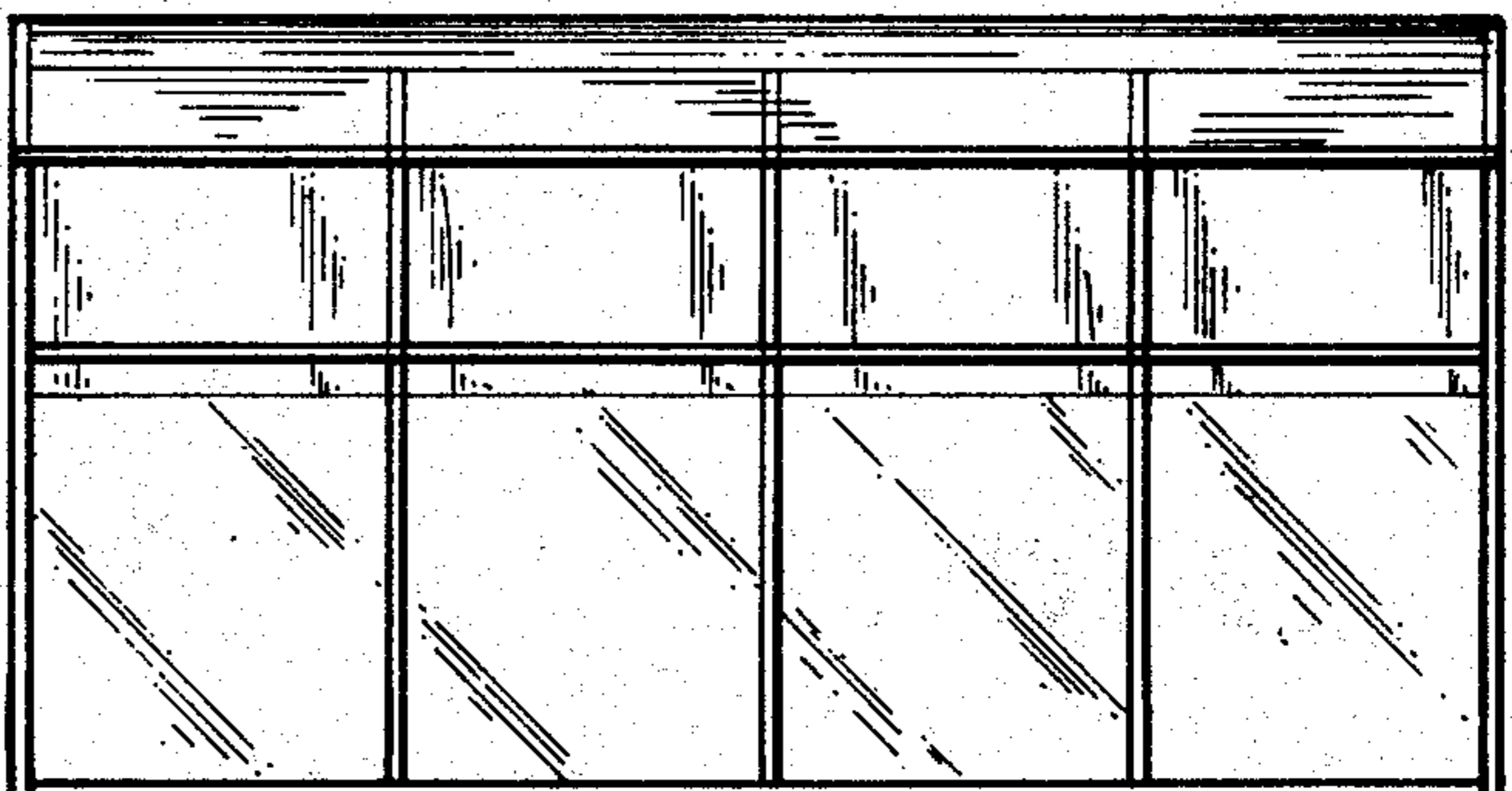


FIG-9

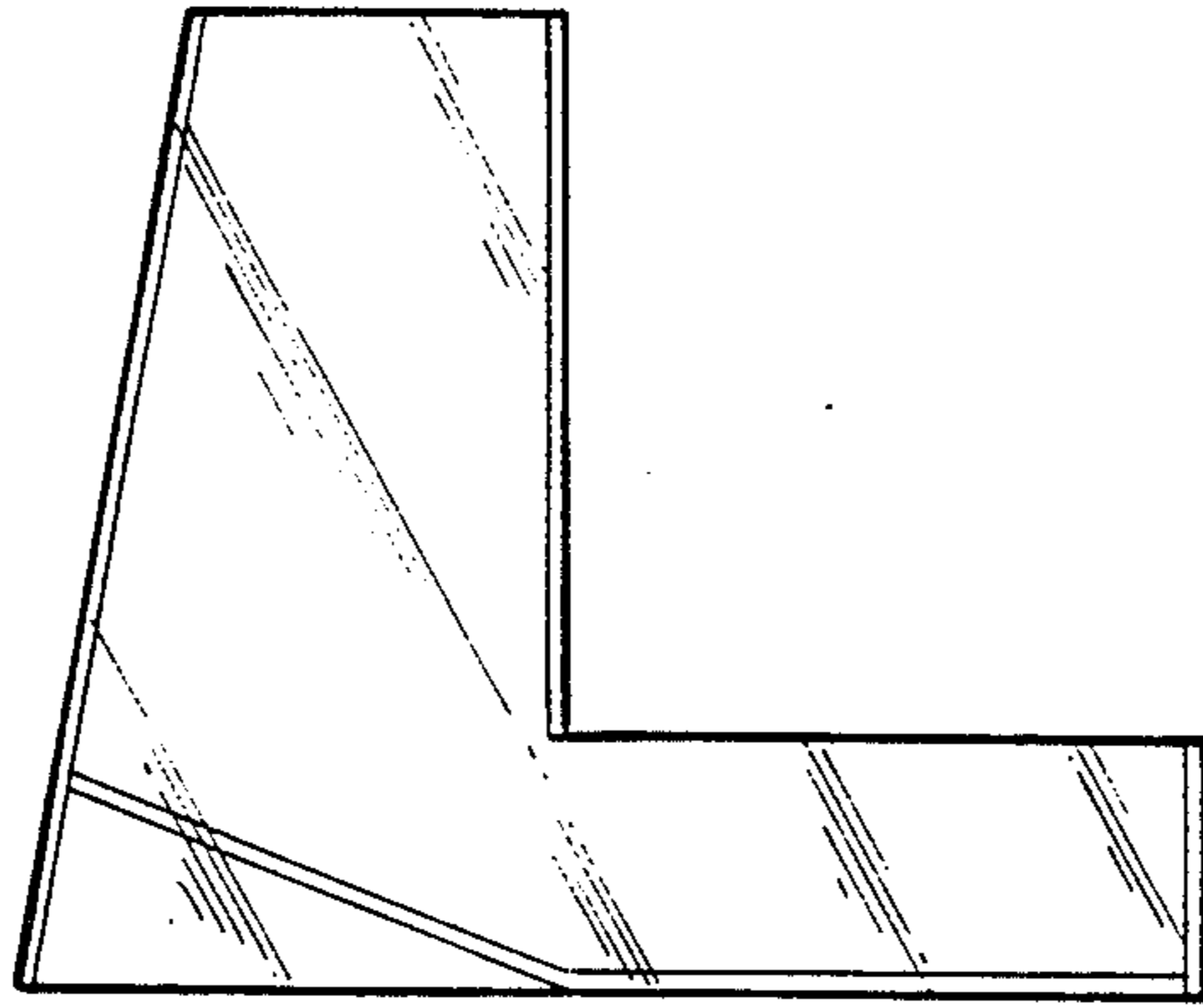


FIG-10

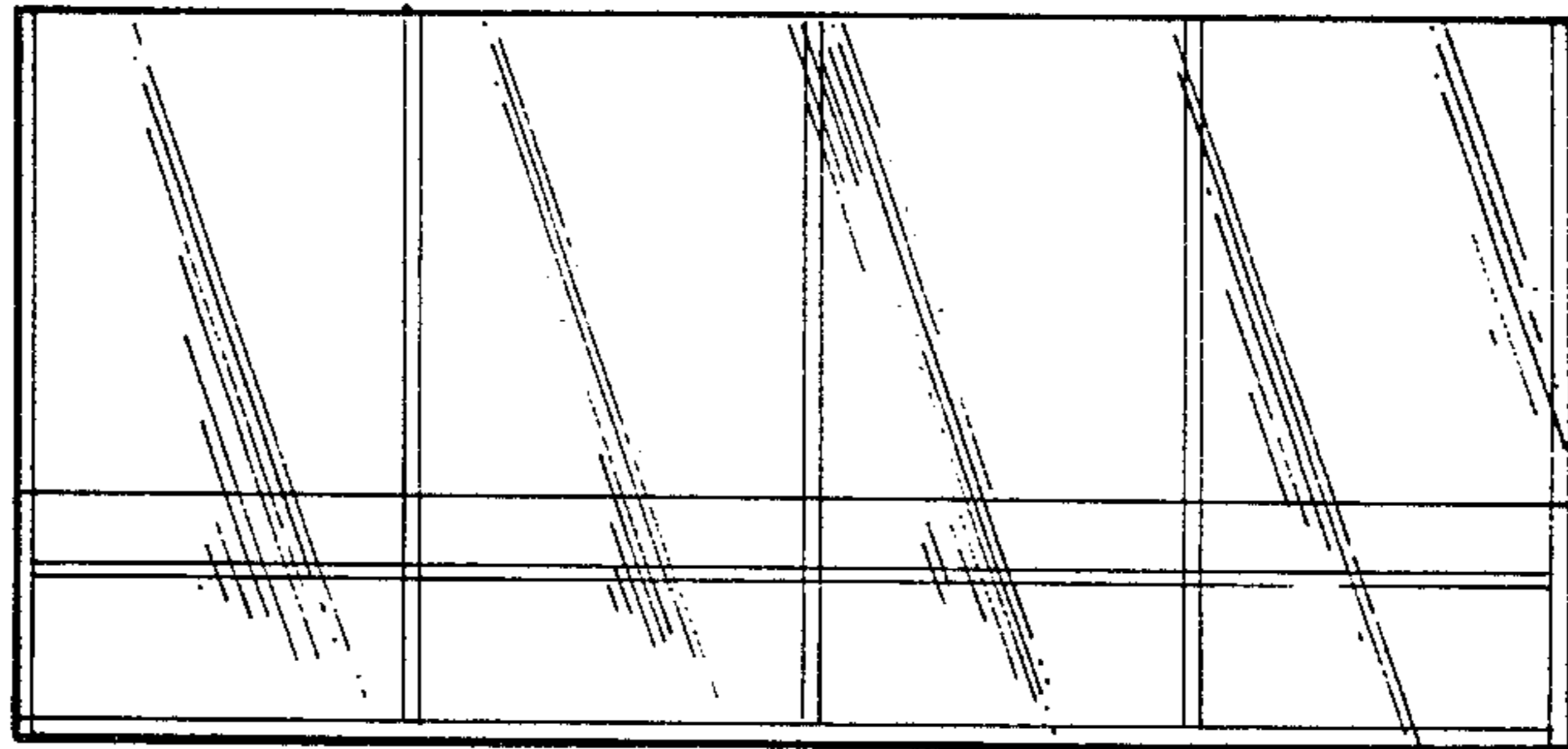


FIG-11

