

[54] **KEY HOLDER**

[75] **Inventor: Sumner MacDonald, Warren, R.I.**

[73] **Assignee: MacDonald/Associates Inc., Warren, R.I.**

[**] **Term: 14 Years**

[21] **Appl. No.: 688,173**

[22] **Filed: Dec. 31, 1984**

[52] **U.S. Cl. D3/61; D8/382**

[58] **Field of Search D3/61-65; 70/456 R, 459; 24/230.5 AD, 241 PS, 241 SL, 241 SP, 241 SB; D8/339, 331, 341, 382**

[56] **References Cited**

U.S. PATENT DOCUMENTS

D. 146,976 6/1947 Lesley D3/61

D. 248,190	6/1978	Motzer	D3/61
D. 531,325	11/1950	Cesaris	70/459
2,537,598	1/1951	Mason	70/457
4,317,638	3/1982	Klaber	70/459

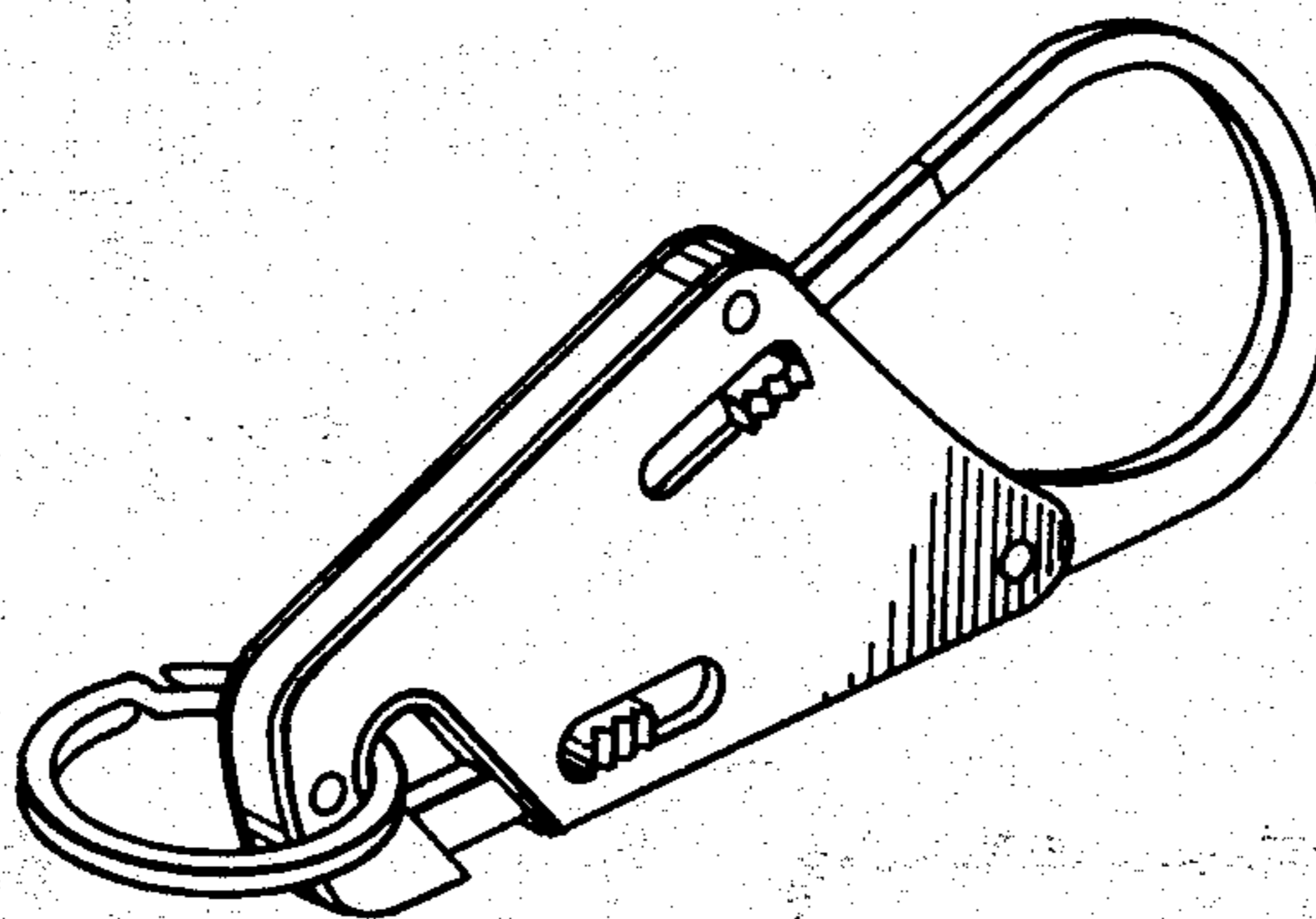
Primary Examiner—George P. Word
Attorney, Agent, or Firm—Salter & Michaelson

[57] **CLAIM**

The ornamental design for a key holder, substantially as shown.

DESCRIPTION

FIG. 1 is a front perspective view of a key holder showing my new design;
FIG. 2 is a rear elevational view thereof;
FIG. 3 is a left end elevational view of FIG. 1;
FIG. 4 is a right end elevational view thereof;
FIG. 5 is a top plan view thereof; and
FIG. 6 is a bottom plan view thereof.



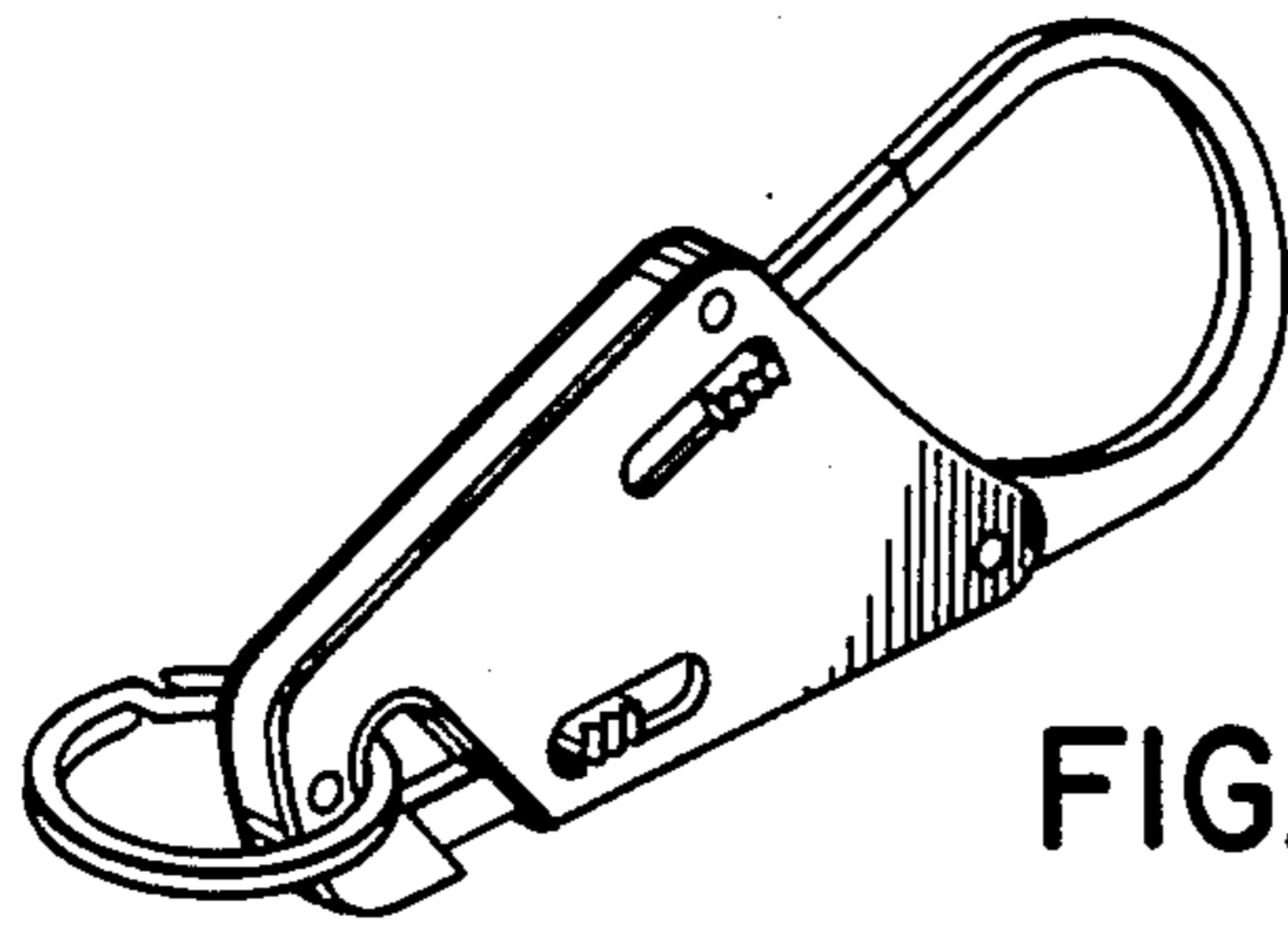


FIG. 1

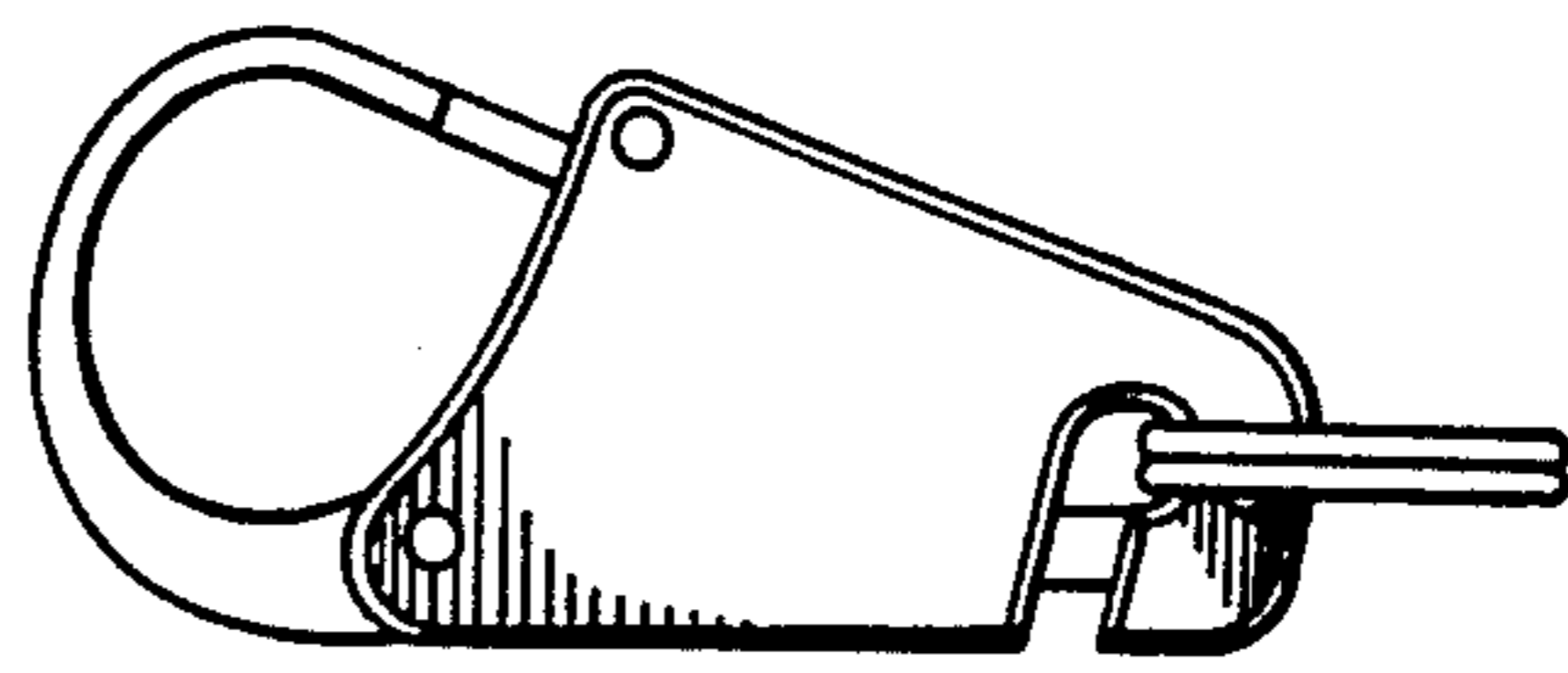


FIG. 2

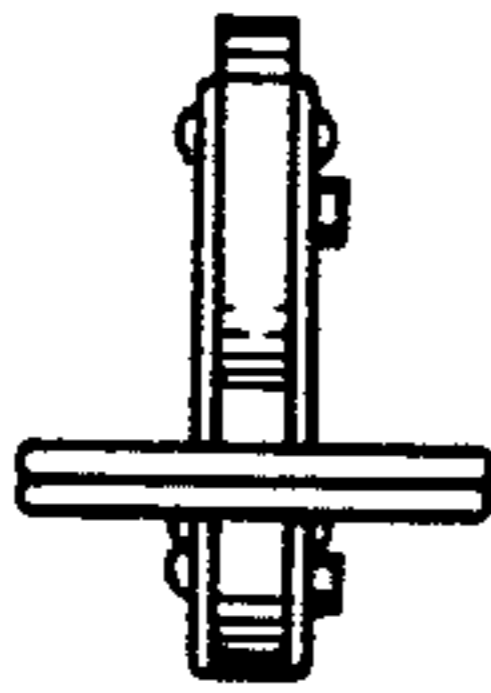


FIG. 3

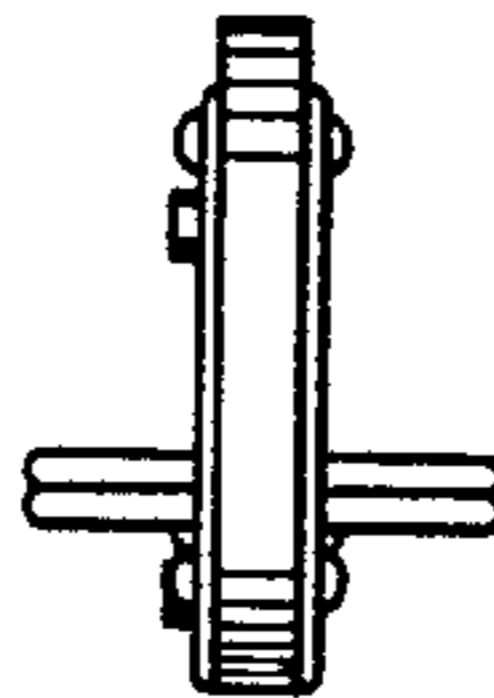


FIG. 4

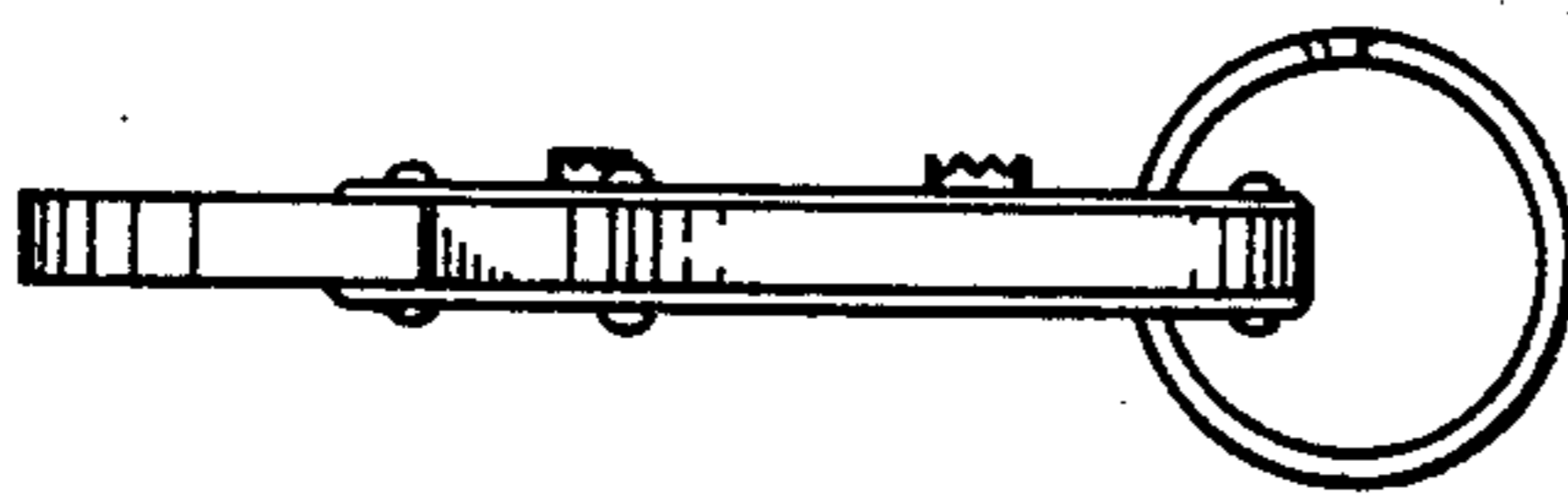


FIG. 5

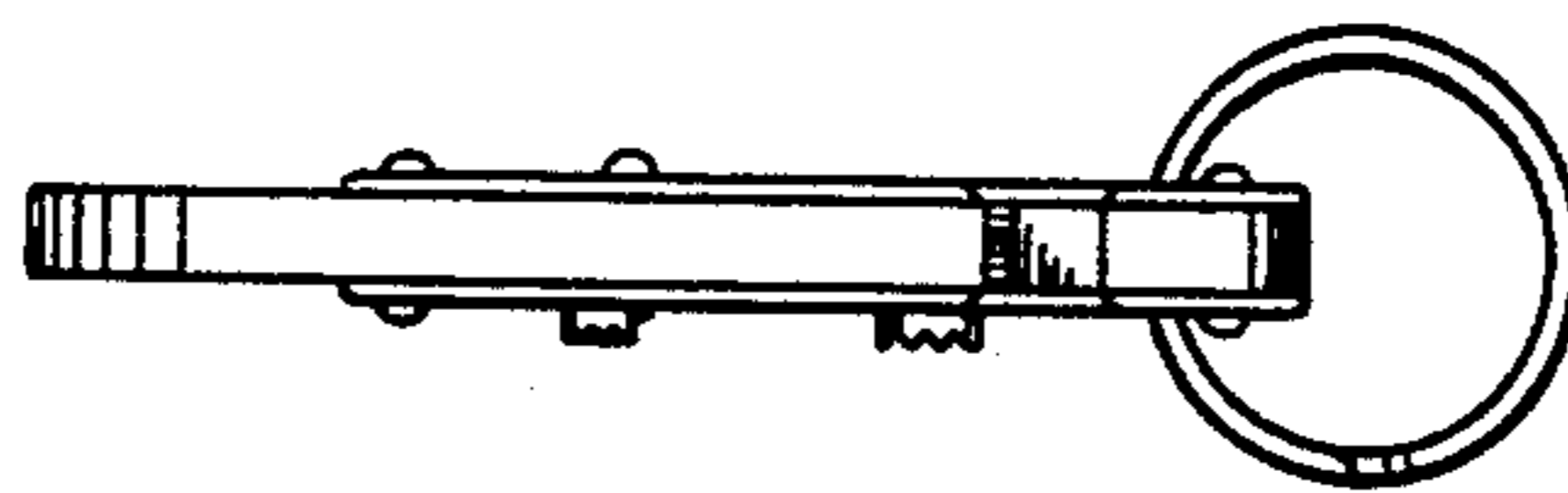


FIG. 6