

[54] **KEY HOLDER**

[75] **Inventor: Sumner MacDonald, Warren, R.I.**

[73] **Assignee: MacDonald/Associates Inc., Warren, R.I.**

[**] **Term: 14 Years**

[21] **Appl. No.: 645,416**

[22] **Filed: Aug. 28, 1984**

[52] **U.S. Cl. D3/61; D8/382**

[58] **Field of Search D3/61-65; 70/456 R, 459; 24/230.5 AD, 241 PS, 241 SL, 241 SP, 241 SB; D8/339, 331, 382; D30/39**

[56] **References Cited**

U.S. PATENT DOCUMENTS

D. 234,260 2/1975 Eastman D30/39

D. 247,268 2/1978 Quenot D3/61
D. 248,190 6/1978 Motzer D3/61
D. 267,230 12/1982 LaViolette et al. D8/382
D. 271,443 11/1983 MacDonald D3/61

*Primary Examiner—George P. Word
Attorney, Agent, or Firm—Salter & Michaelson*

[57] **CLAIM**

The ornamental design for a key holder, substantially as shown.

DESCRIPTION

FIG. 1 is a front perspective view of a key holder showing my new design;
FIG. 2 is a rear elevational view thereof;
FIG. 3 is a left end elevational view of FIG. 1;
FIG. 4 is a right end elevational view thereof;
FIG. 5 is a top plan view thereof; and
FIG. 6 is a bottom plan view thereof.

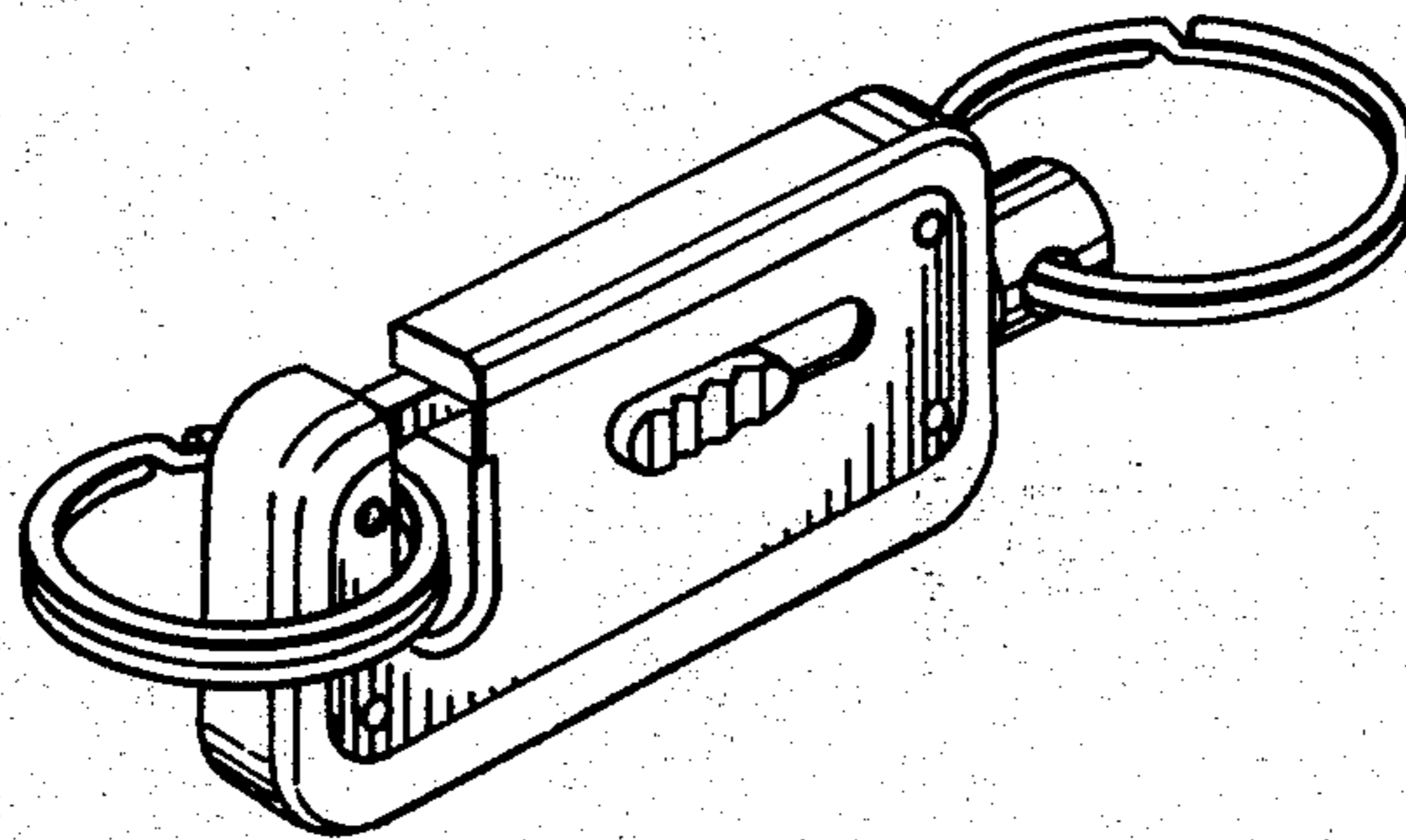


FIG. 1

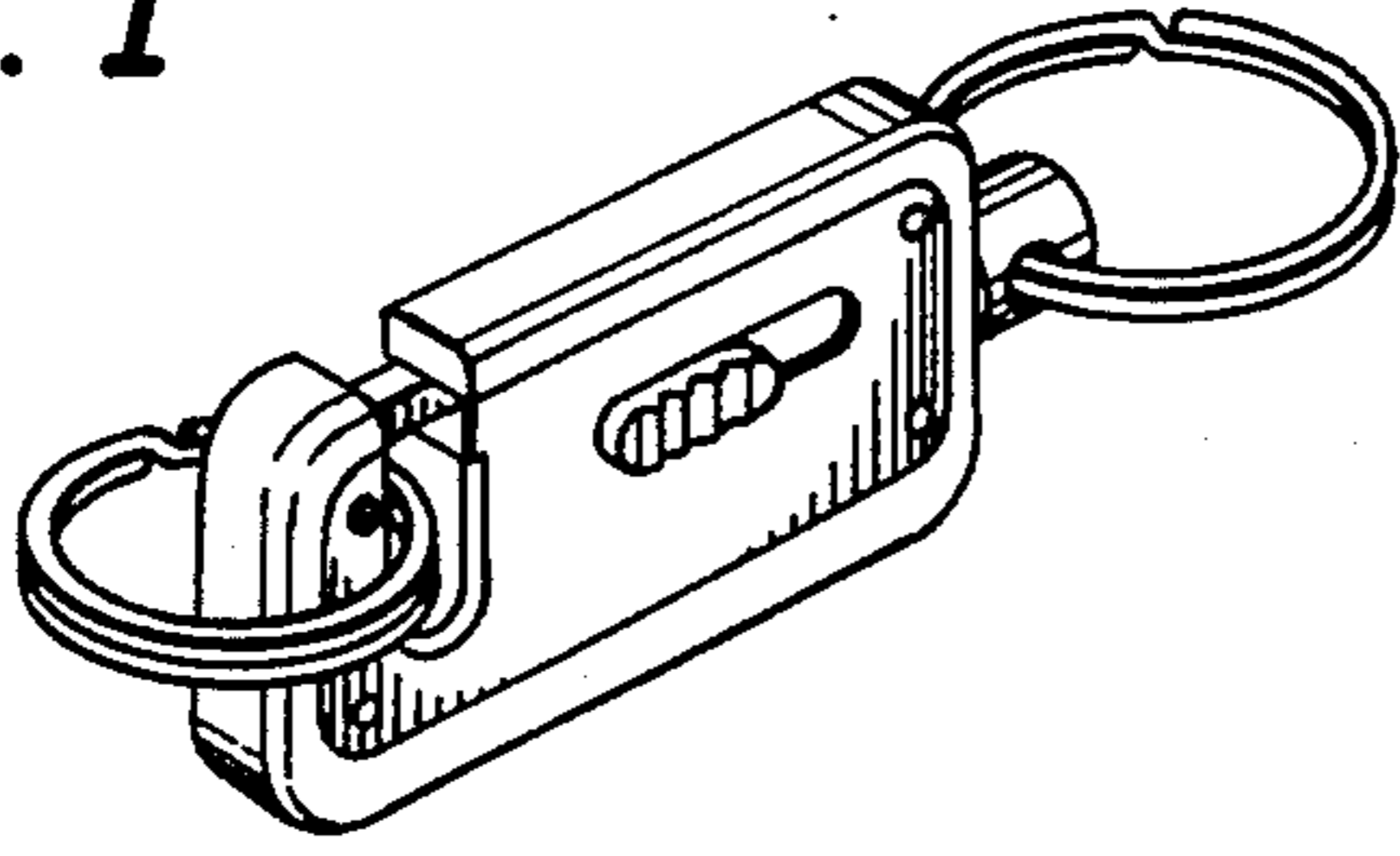


FIG. 2

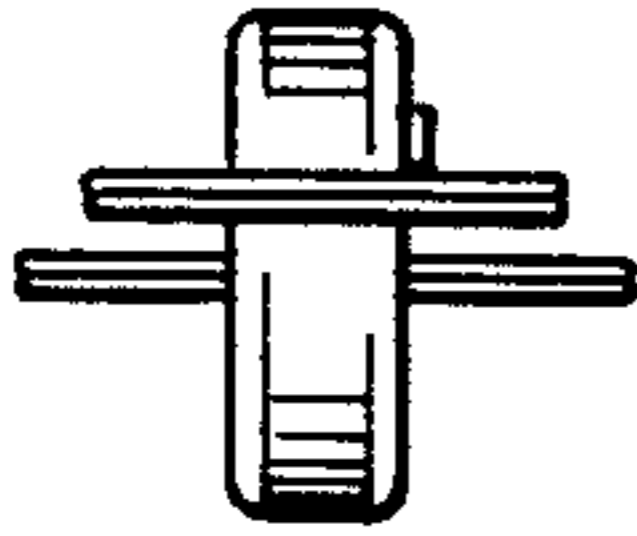


FIG. 3

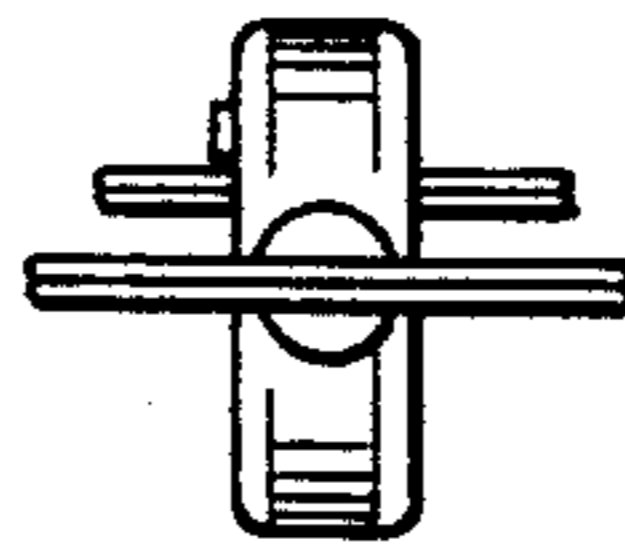


FIG. 4

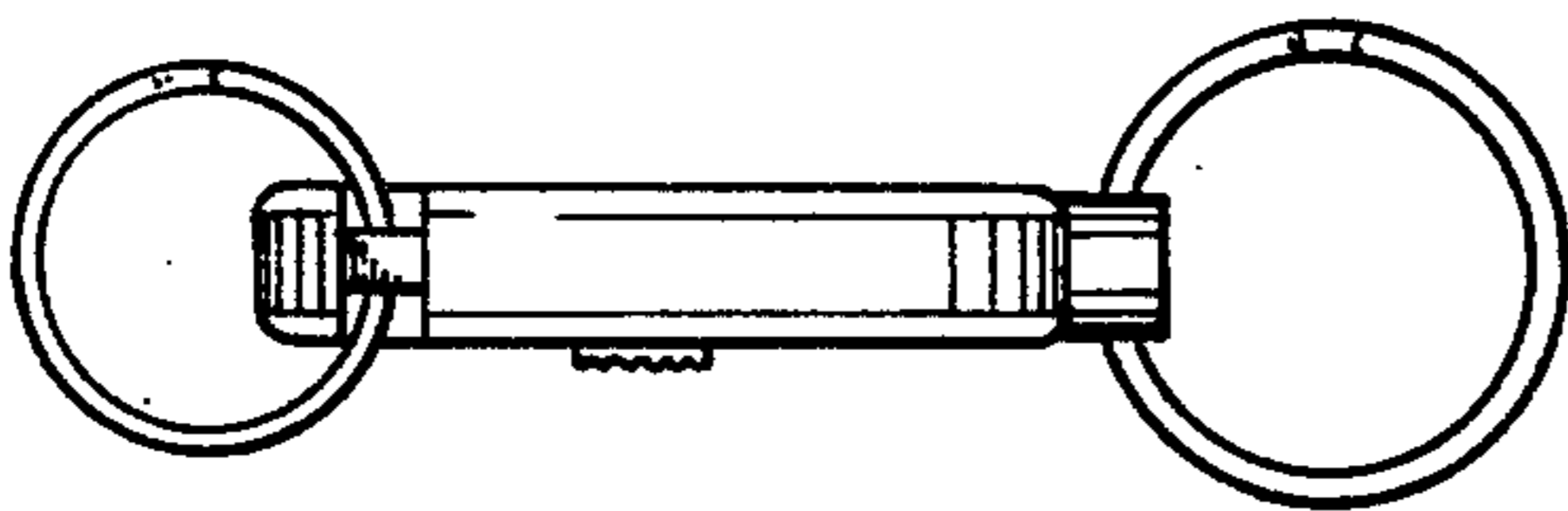


FIG. 5

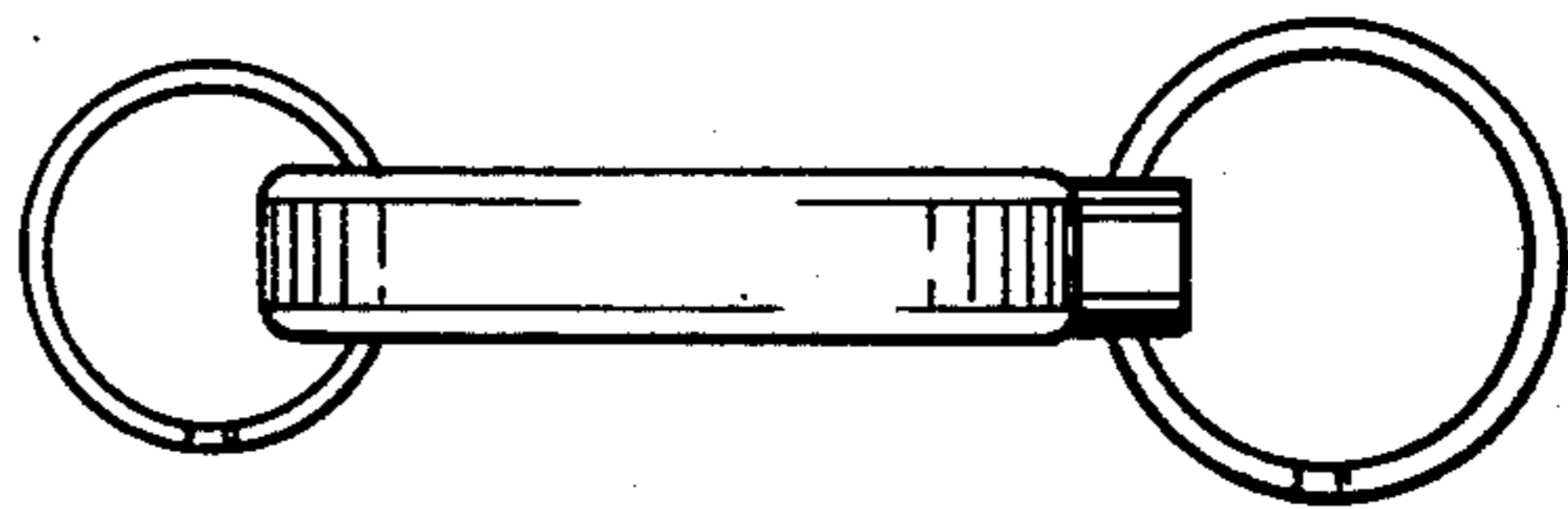


FIG. 6