

[54] TAPE-CASSETTE BOX

[76] Inventor: Lung-Fei Huang, No. 22-2, Alley 24, Lane 30, Wu Chen Street, Pan Chiao, Taipei, Taiwan

[**] Term: 14 Years

[21] Appl. No.: 494,513

[22] Filed: May 13, 1983

[52] U.S. Cl. D3/35; D14/11

[58] Field of Search D3/33, 35; 206/1.5, 206/387, 504; 312/8-12, 319, 111, 345; D14/11

[56] References Cited

U.S. PATENT DOCUMENTS

D. 238,401	1/1976	Ackeret	D3/35
D. 247,794	4/1978	Tazawa	D3/35
3,899,229	8/1975	Ackeret	206/387
4,054,344	10/1977	Fujimoto et al.	D14/11
4,087,145	5/1978	Weavers	206/387

4,216,857	8/1980	Huang	206/1.5
4,243,279	1/1981	Ackeret	D3/35

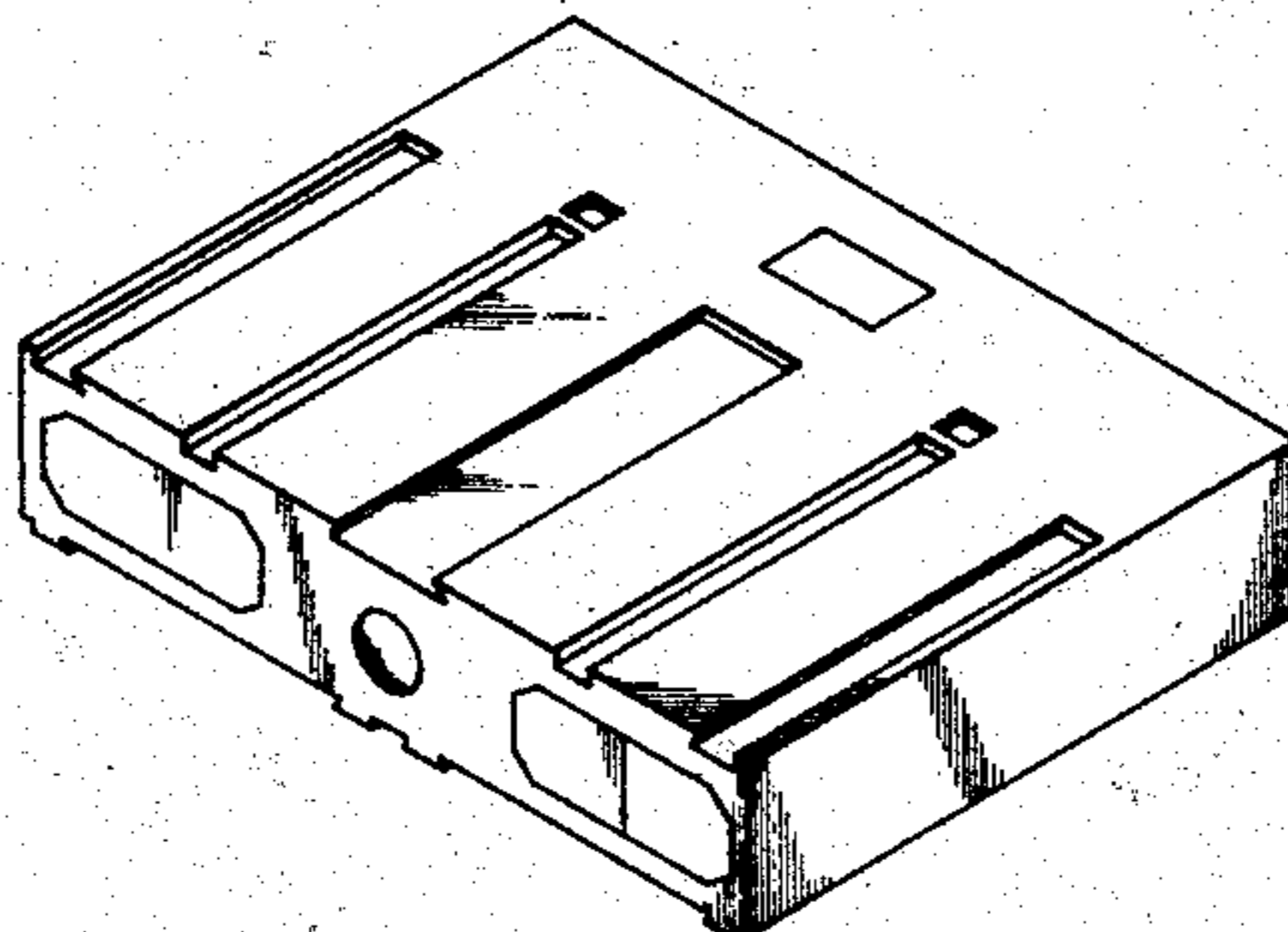
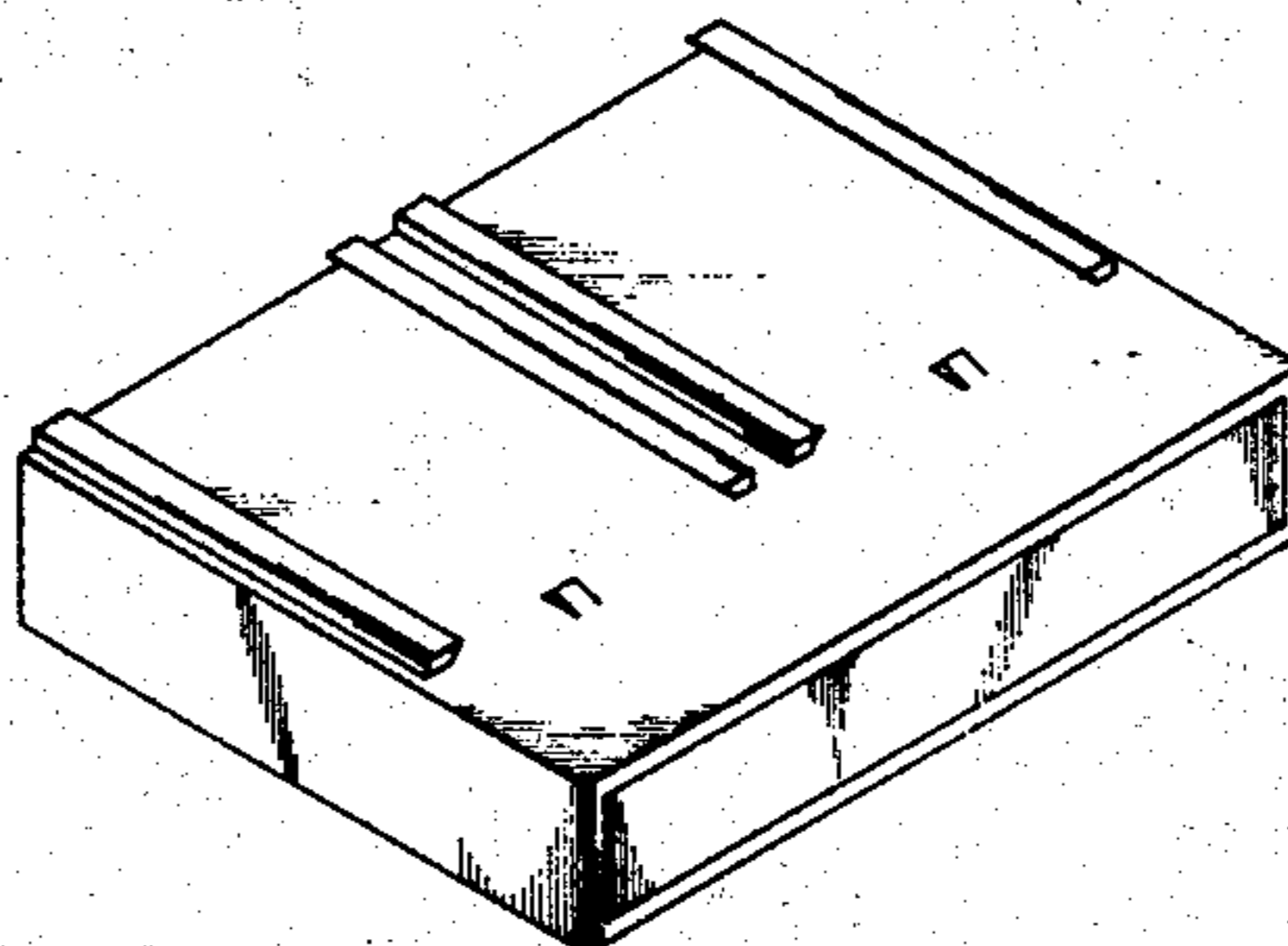
Primary Examiner—George P. Word
Attorney, Agent, or Firm—Armstrong, Nikaido, Marmelstein & Kubovcik

[57] CLAIM

The ornamental design for a tape-cassette box, as shown and described.

DESCRIPTION

FIG. 1 is a top front perspective view of a tape cassette box showing my new design;
FIG. 2 is an inverted bottom rear perspective view thereof;
FIG. 3 is a front elevational view;
FIG. 4 is a rear elevational view;
FIG. 5 is a top plan view;
FIG. 6 is a bottom plan view; and
FIG. 7 is a left side elevational view, the right side elevational view being identical thereto.



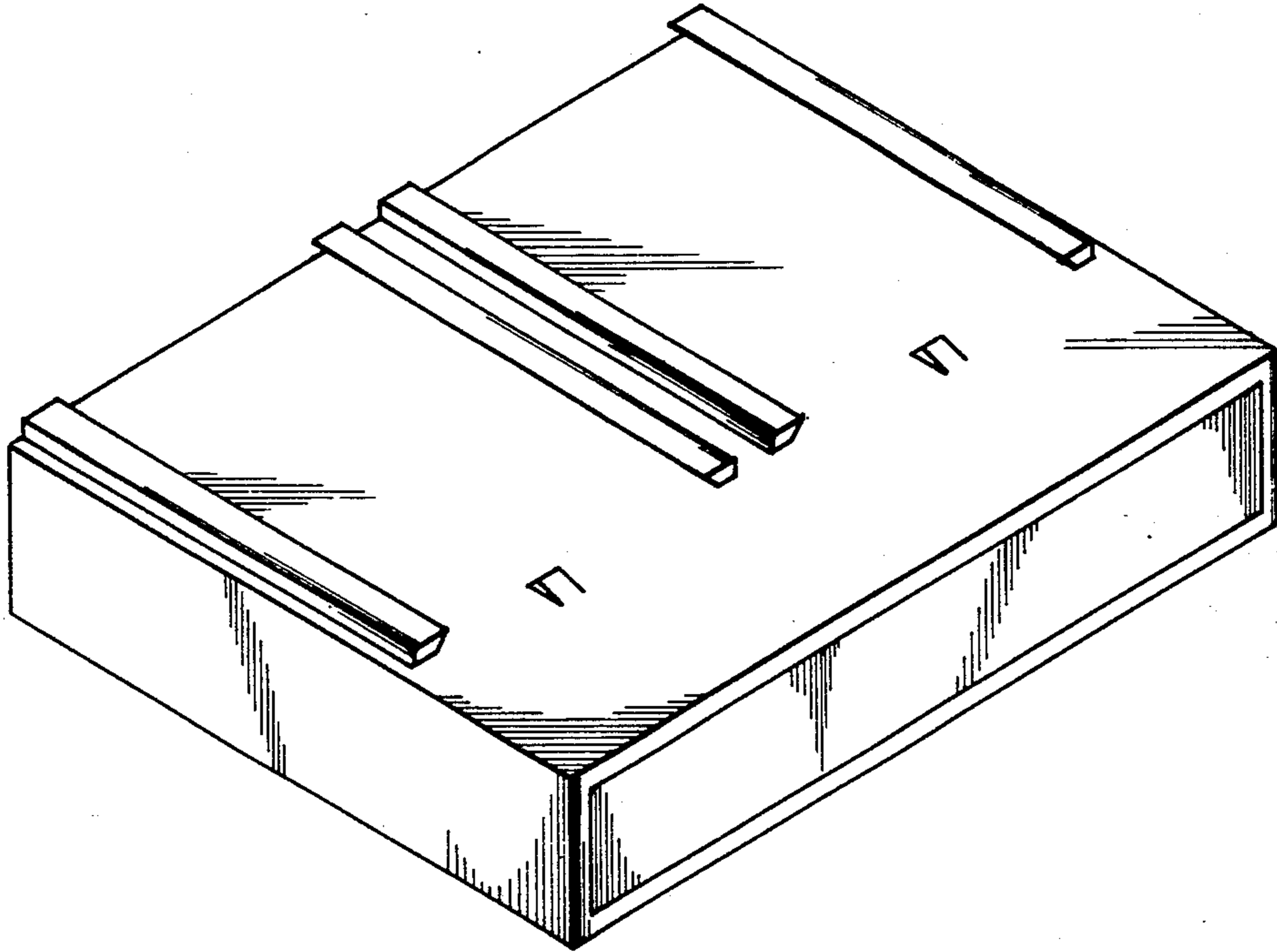


FIG. 1

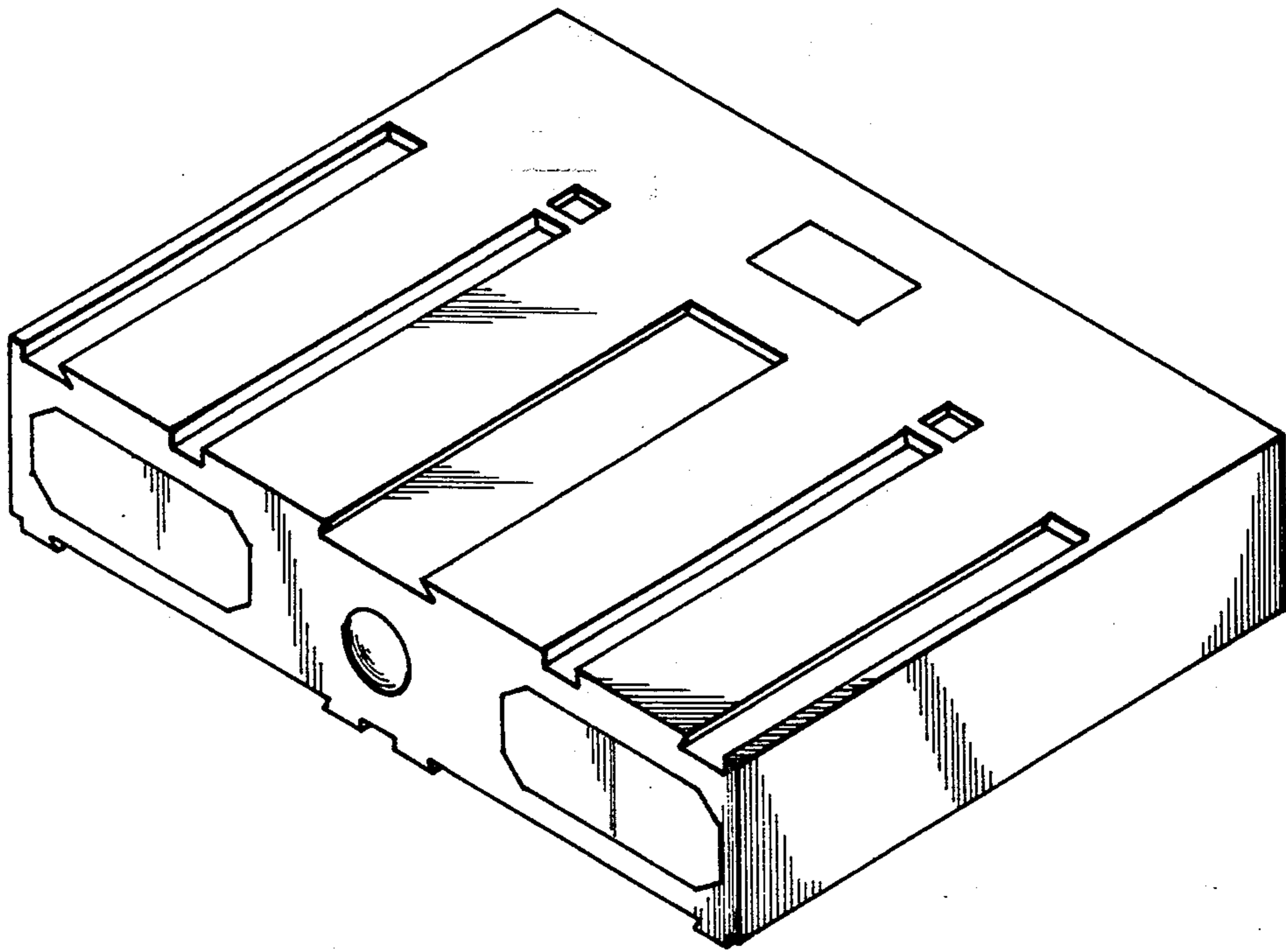


FIG. 2

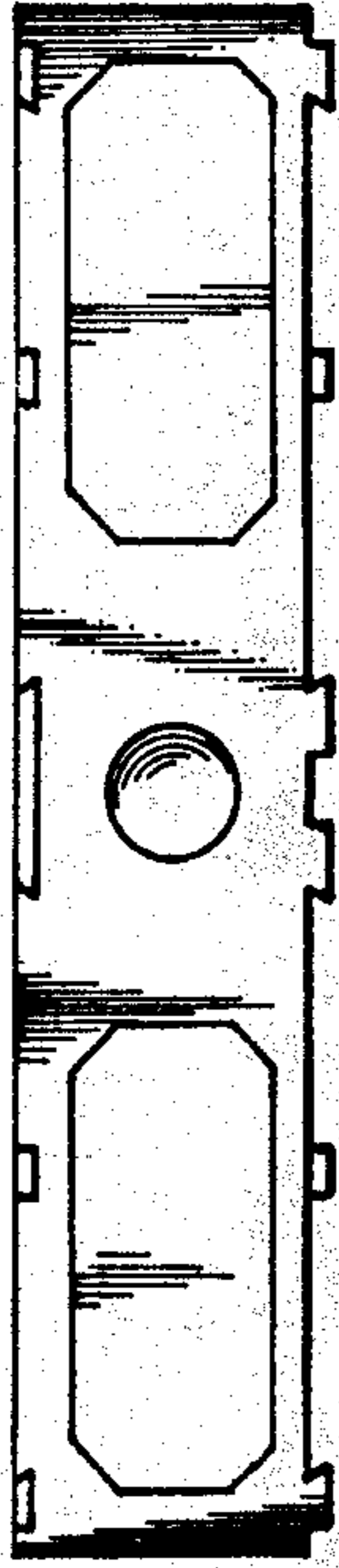


FIG. 4

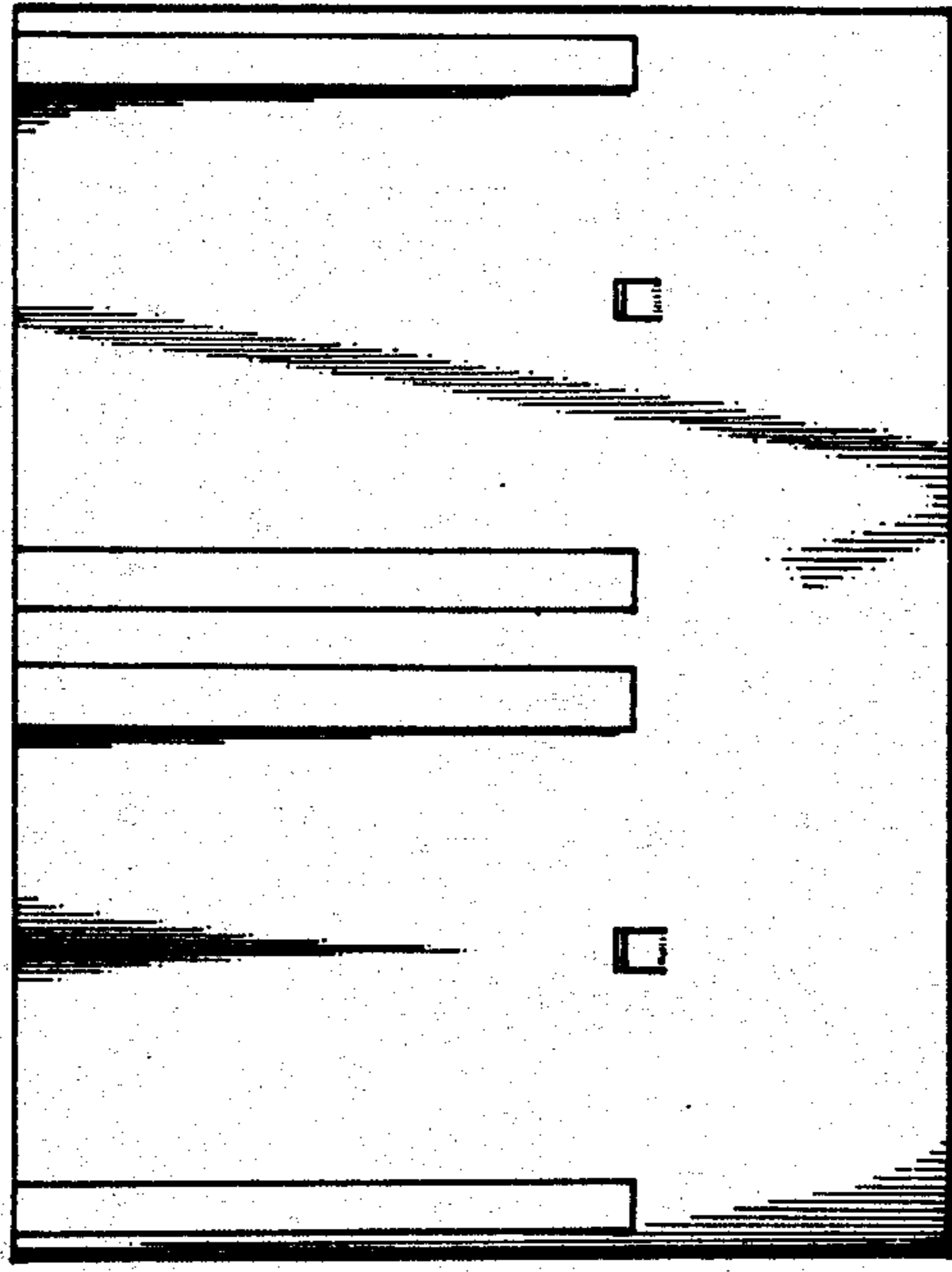


FIG. 5

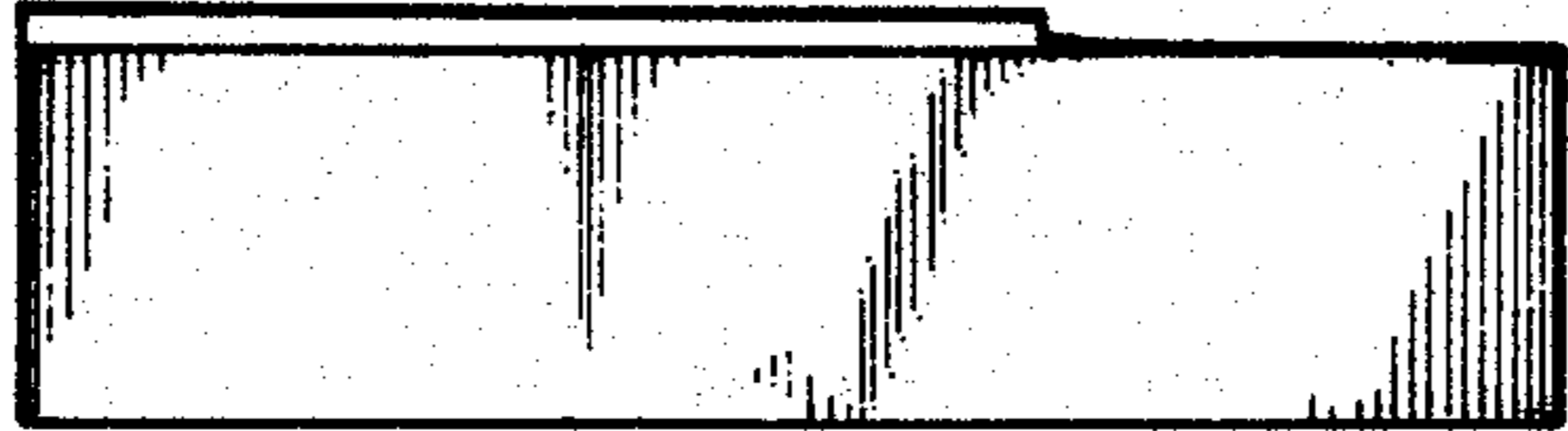


FIG. 7

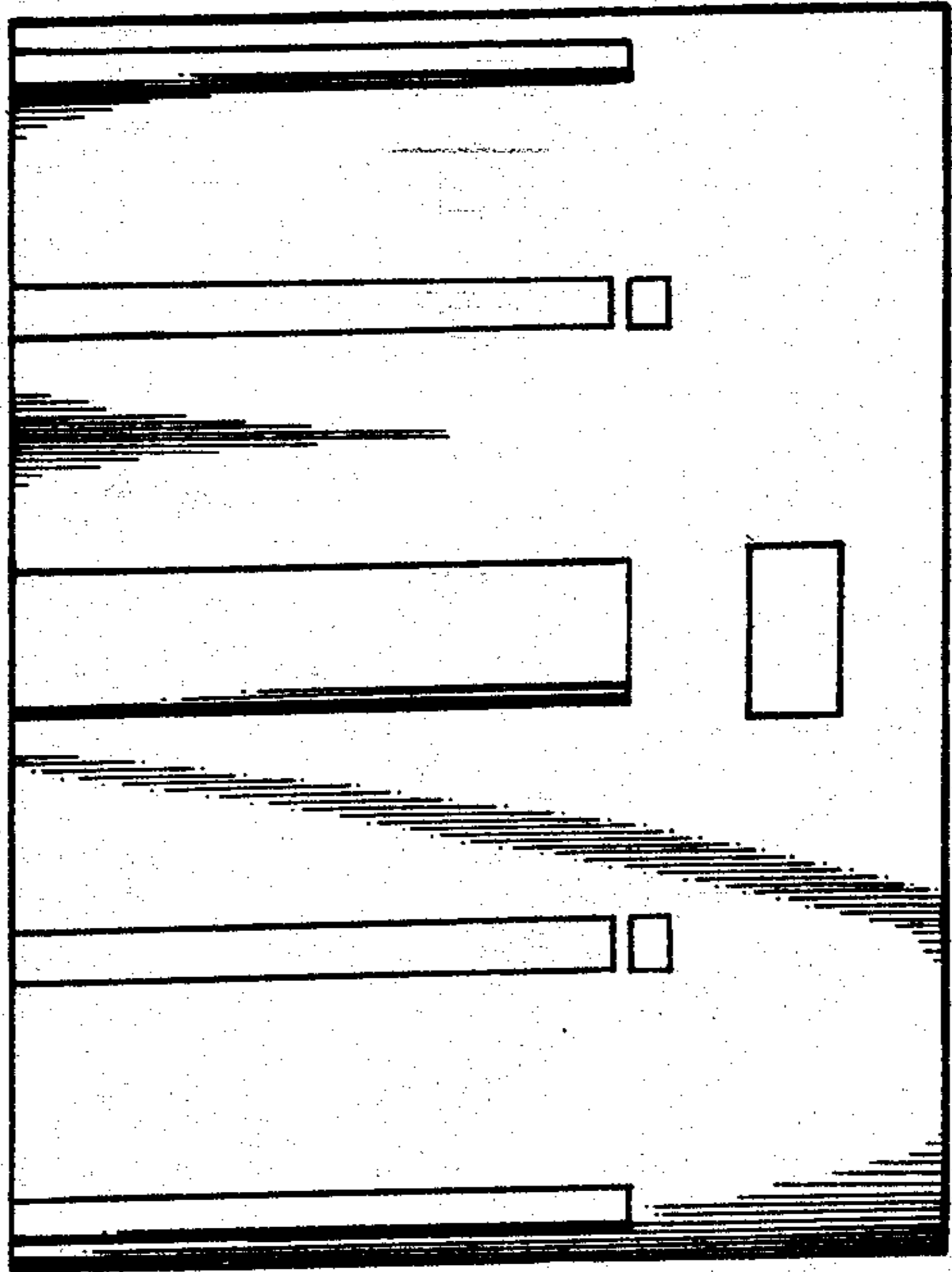


FIG. 6

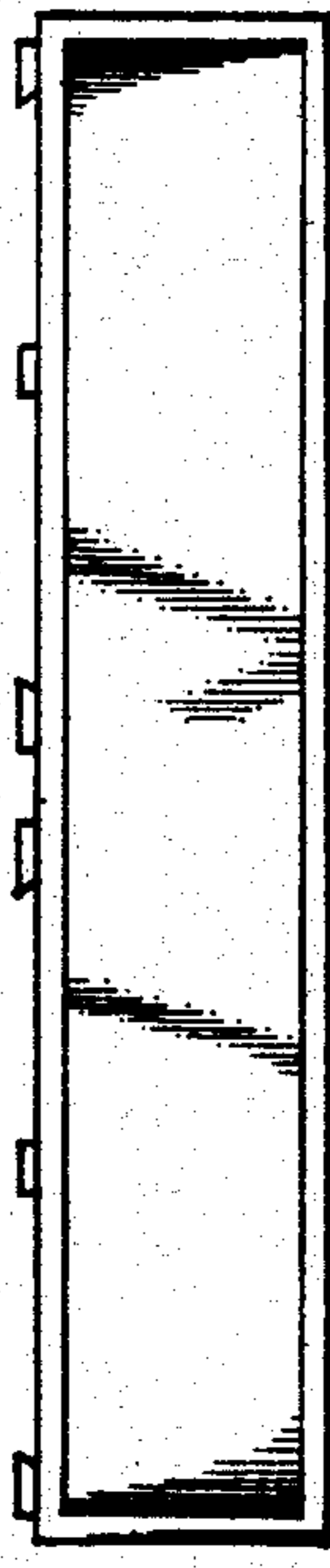


FIG. 3