

[54] **VISOR FOR A HELMET**

- [75] **Inventor: David L. Ekins, Calabasas, Calif.**
[73] **Assignee: The Gold Belt Line, Inc., Reseda, Calif.**
[**] **Term: 14 Years**
[21] **Appl. No.: 544,116**
[22] **Filed: Oct. 20, 1983**
[52] **U.S. Cl. D29/16; D29/14**
[58] **Field of Search D2/230, 231, 232, 233; 2/12, 10, 195**

[56] **References Cited**

FOREIGN PATENT DOCUMENTS

1286758 8/1972 United Kingdom 2/12

OTHER PUBLICATIONS

J. C. Whitney & Co., Cat. #25C, p. 58, Vented Visor for Helmet, Item "A", top center left on page.

*Primary Examiner—Carmen H. Vales
Attorney, Agent, or Firm—Donald D. Mon*

[57] **CLAIM**

The ornamental design for a visor for a helmet, as shown.

DESCRIPTION

FIG. 1 is a top plan view of a visor for a helmet showing my new design;
FIG. 2 is a left side elevational view thereof;
FIG. 3 is a right side elevational view thereof;
FIG. 4 is a front elevational view thereof;
FIG. 5 is a bottom plan view thereof; and
FIG. 6 is a rear elevational view thereof.

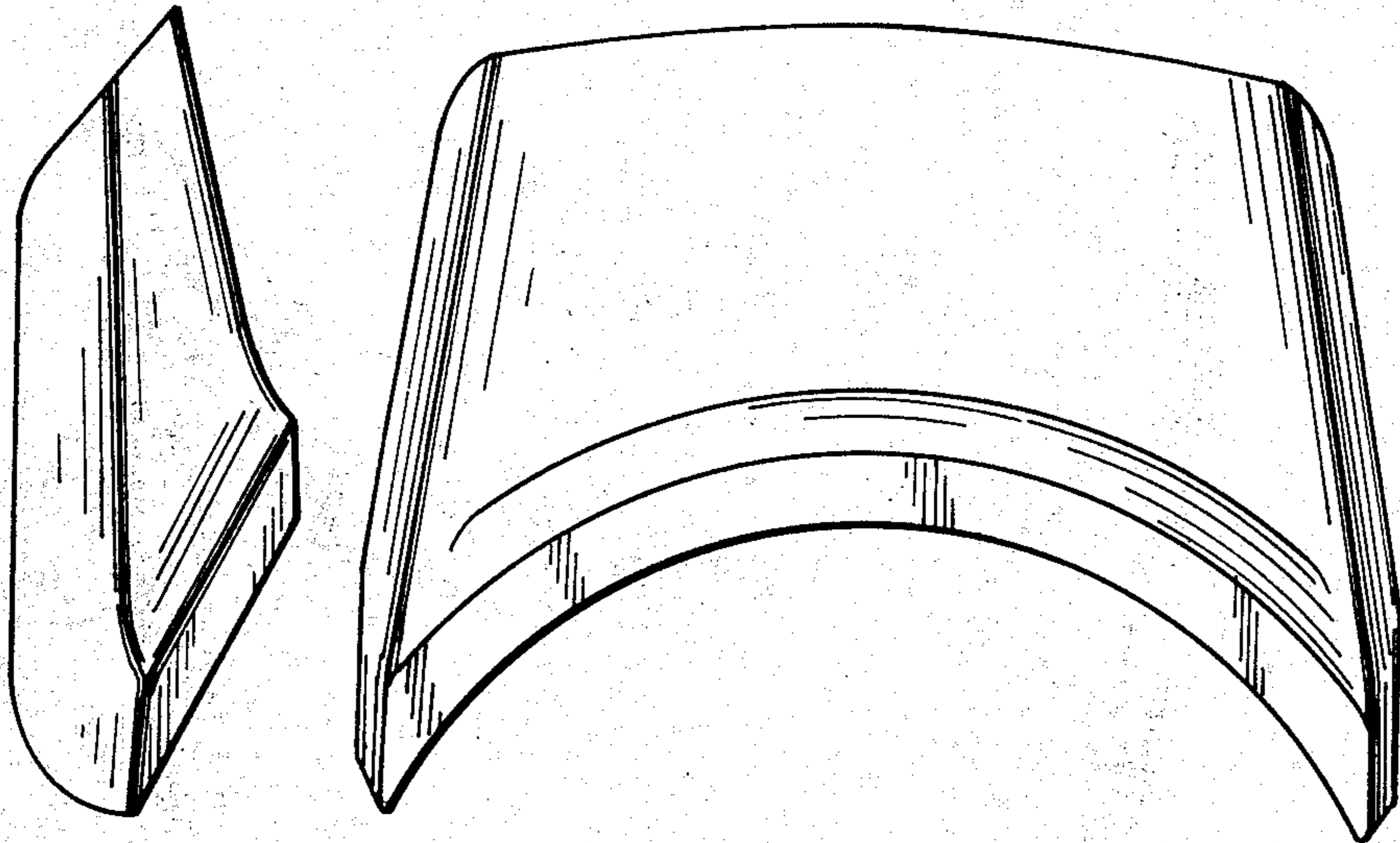




FIG. 2

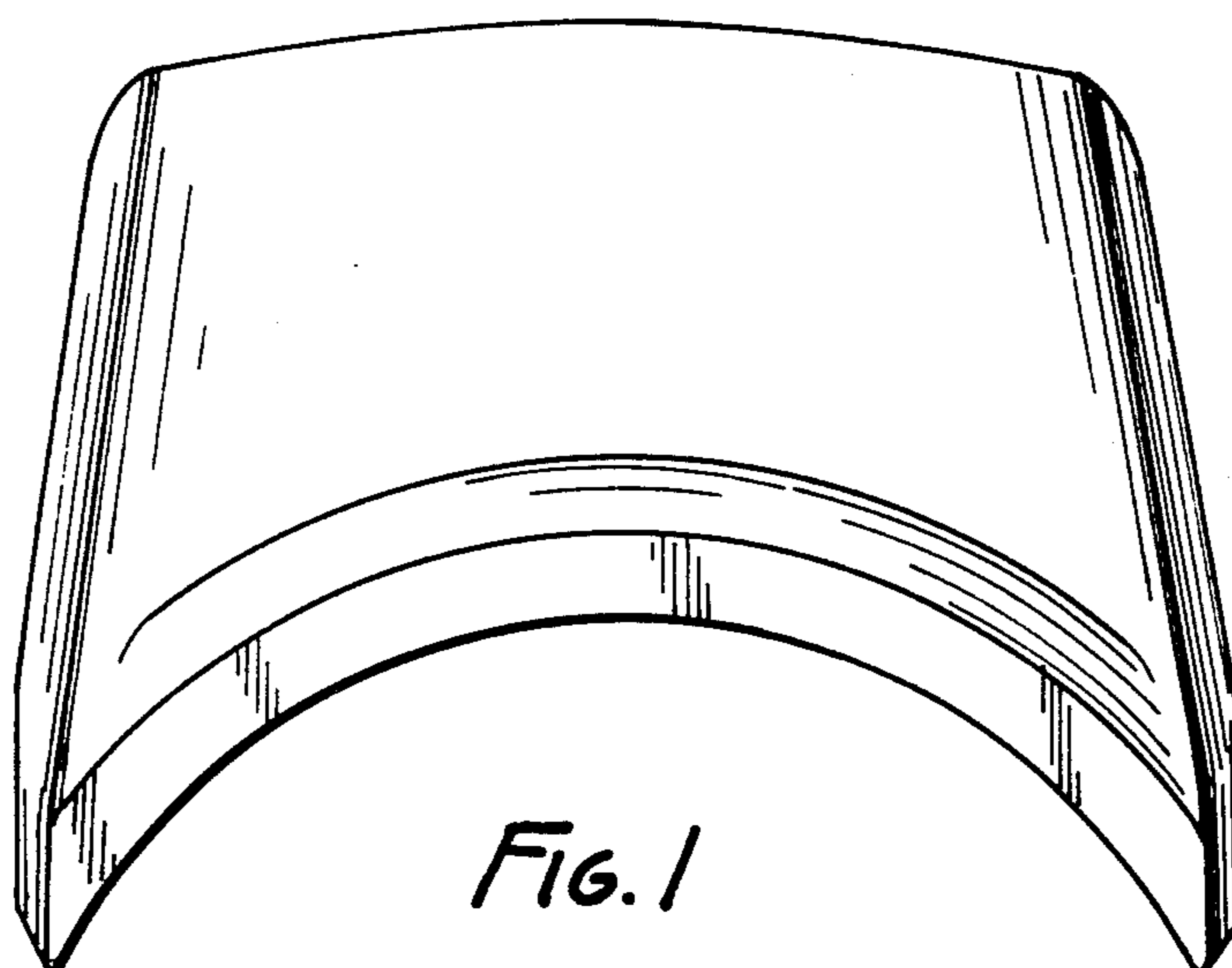


FIG. 1



FIG. 3

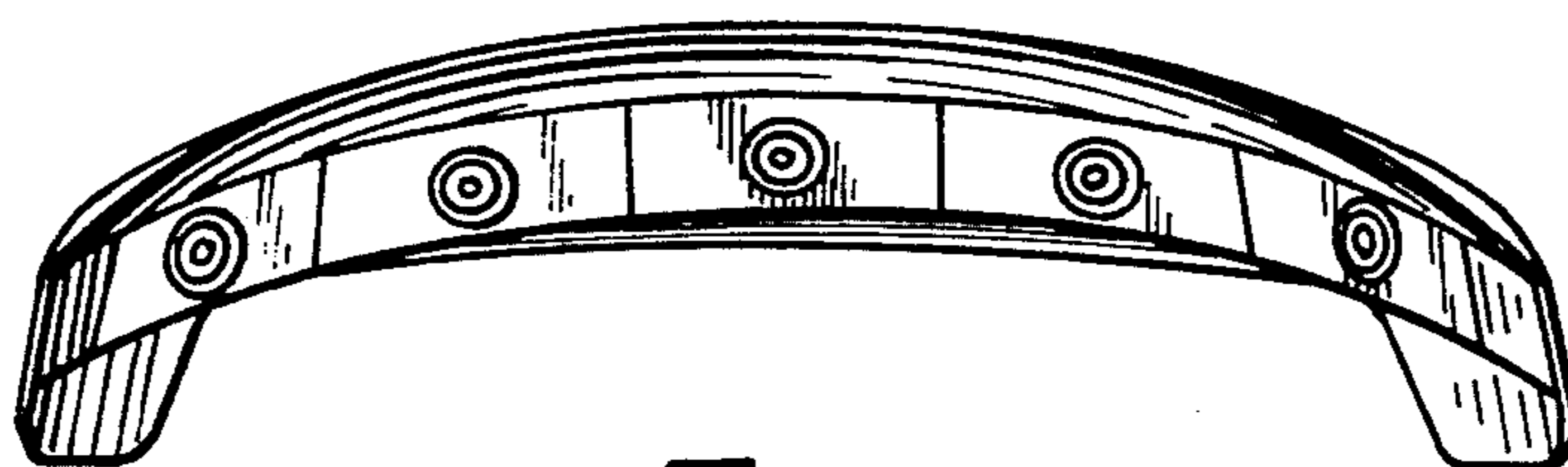


FIG. 4

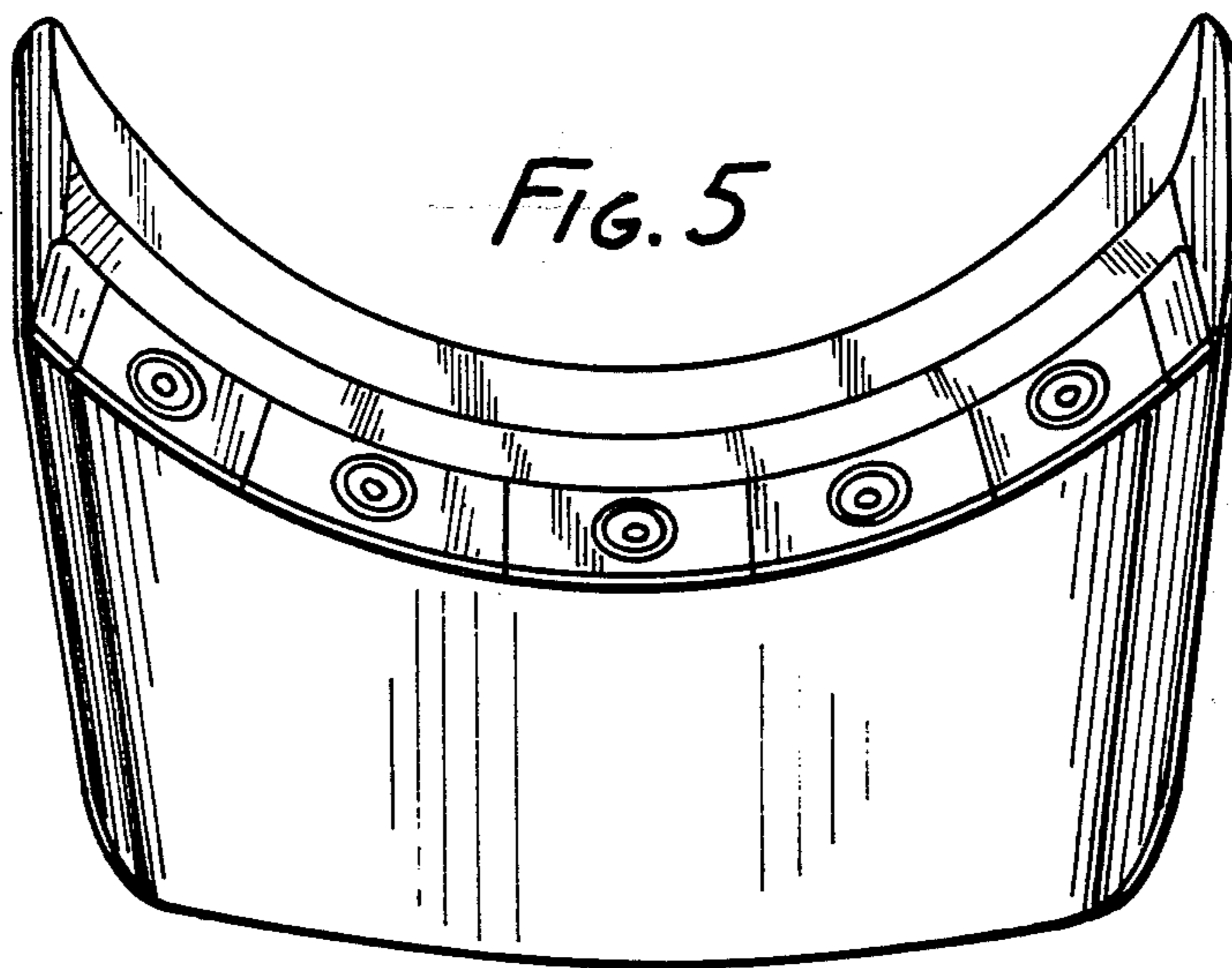


FIG. 5



FIG. 6