

[54] SURGICAL LEG CLAMP

4,373,709 2/1983 Whitt 269/328
4,457,302 7/1984 Caspari et al. 269/328 X

[75] Inventor: William J. Murphy, Saginaw, Mich.

Primary Examiner—A. Hugo Word
Assistant Examiner—Stella M. Reid
Attorney, Agent, or Firm—George P. Pappas

[73] Assignee: Saginaw Automation & Machine, Inc., Saginaw, Mich.

[**] Term: 14 Years

[57] CLAIM

[21] Appl. No.: 471,757

The ornamental design for a surgical leg clamp, as shown and described.

[22] Filed: Mar. 3, 1983

[52] U.S. Cl. D24/27

[58] Field of Search D24/27, 26, 3, 1.1;
128/346; 269/328, 322

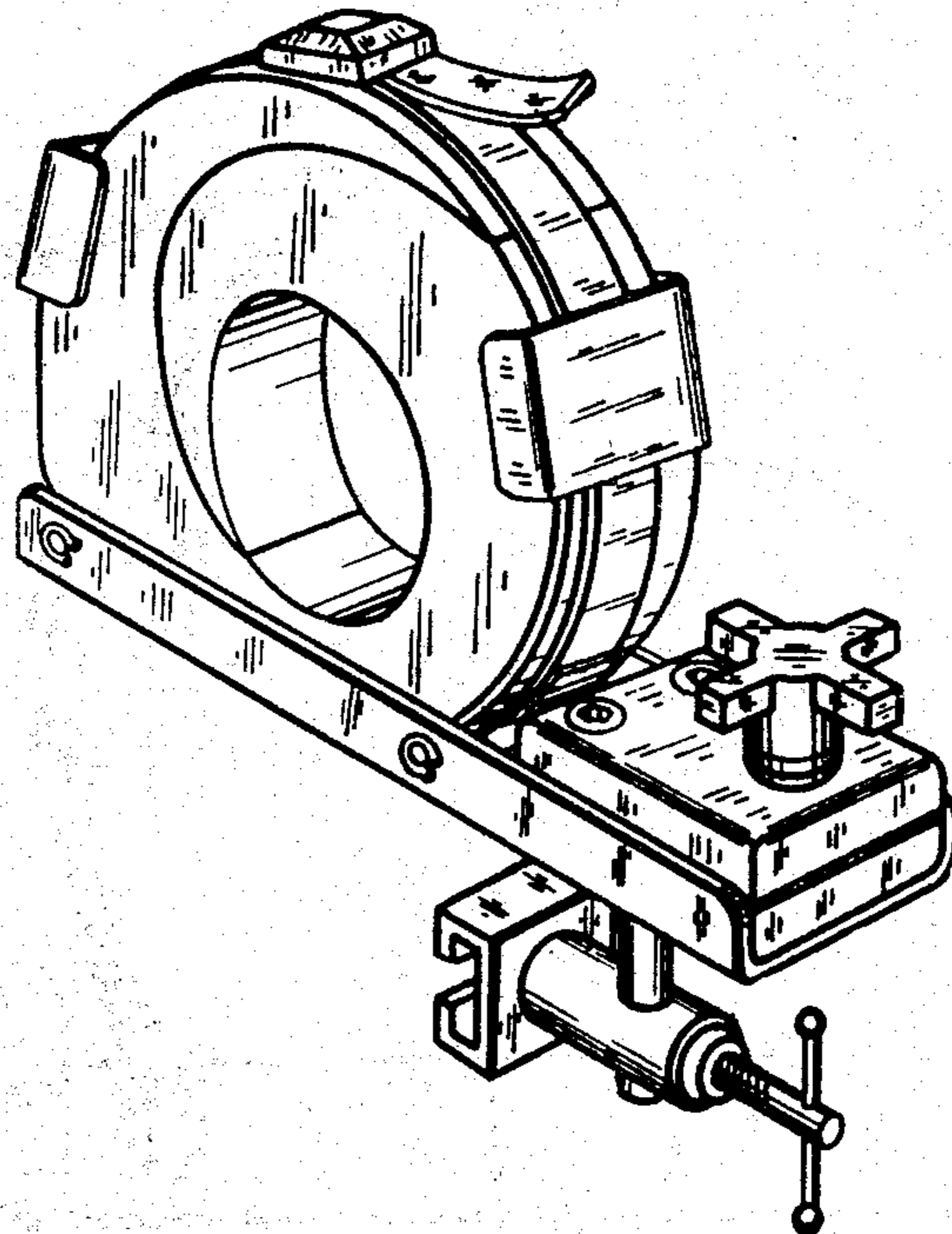
DESCRIPTION

[56] References Cited

U.S. PATENT DOCUMENTS

4,252,306 2/1981 Johnson et al. 269/328
4,265,227 5/1981 Ruge 269/328 X
4,299,213 11/1981 Violet 269/328 X

FIG. 1 is a perspective view of a surgical leg clamp showing my new design;
FIG. 2 is a side elevational view thereof, the opposite side being a mirror image;
FIG. 3 is a top plan view thereof, with the strap shown fragmentarily for convenience of illustration;
FIG. 4 is a left end elevational view thereof;
FIG. 5 is a right end elevational view thereof.



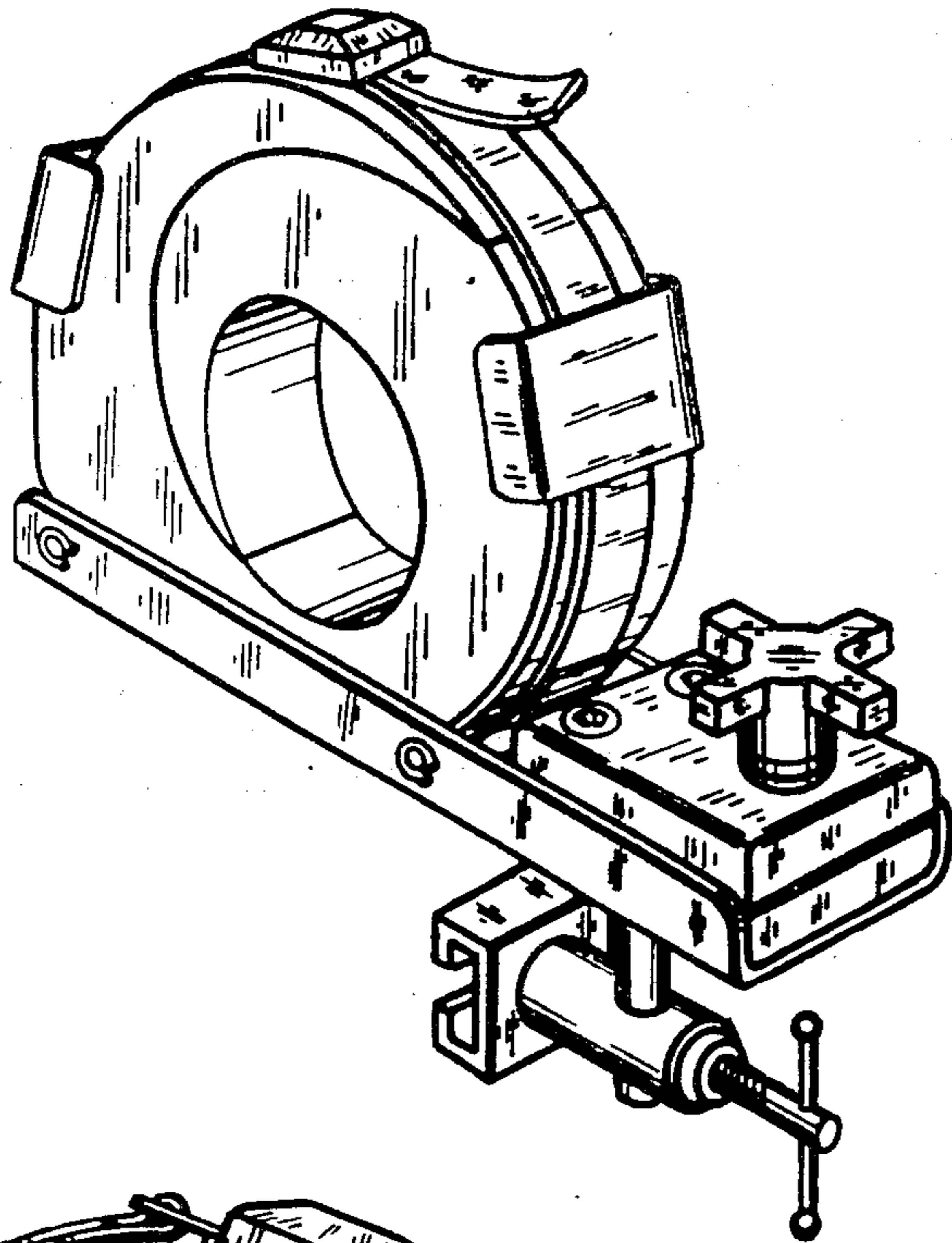


FIG. 1

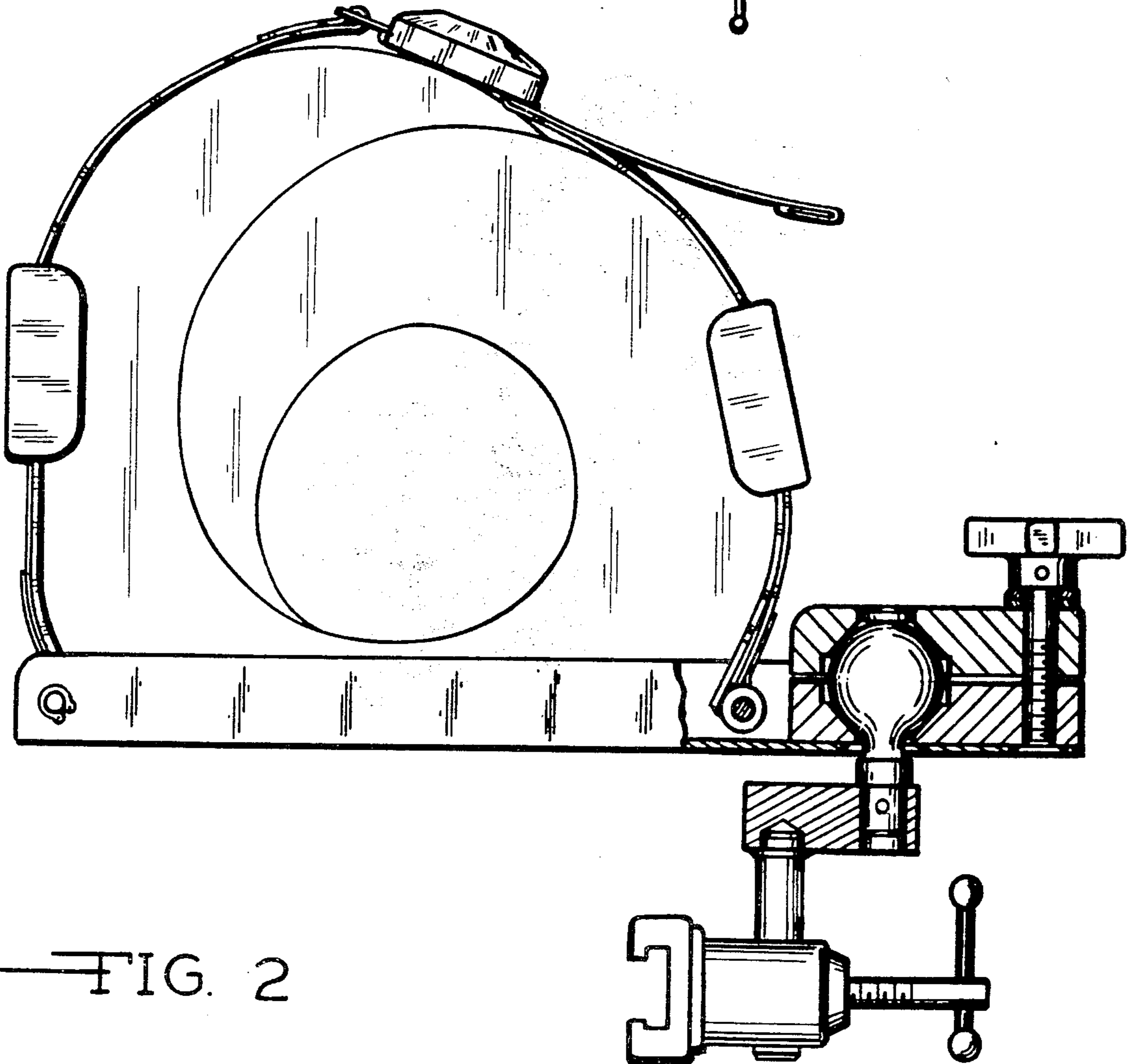
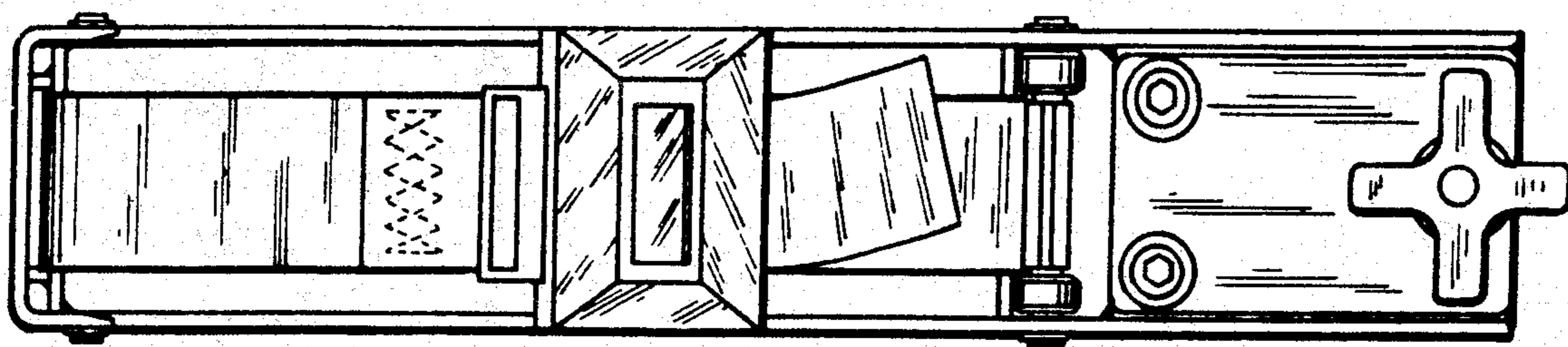
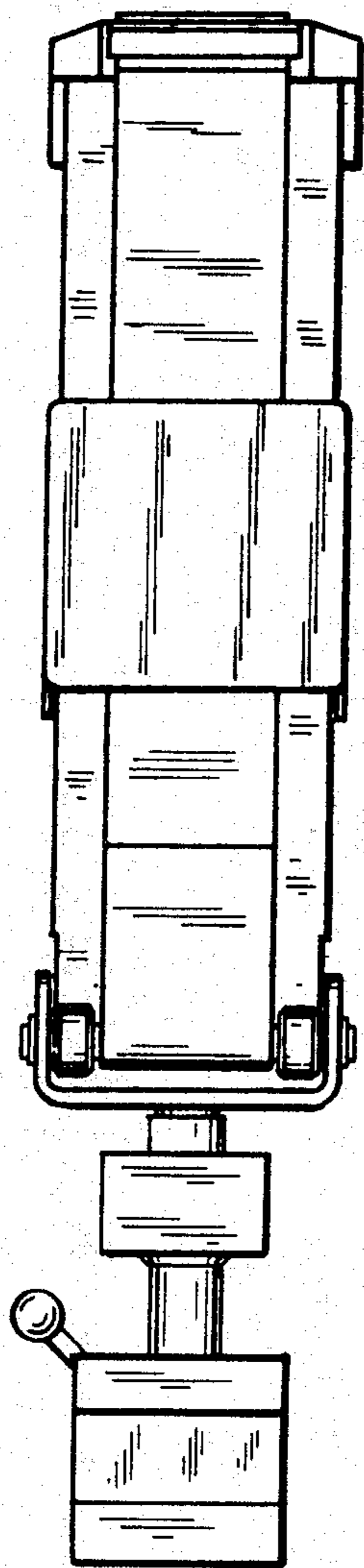


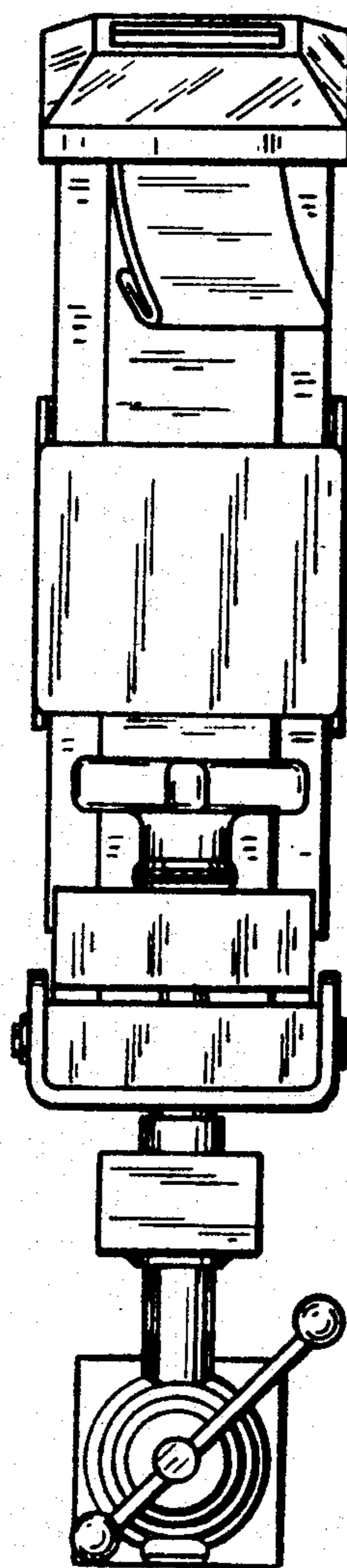
FIG. 2



—FIG. 3



—FIG. 4



—FIG. 5