

[54] SPHYGMOMANOMETER

[75] Inventors: Hiroshi Nishibori; Harumi Fukuda, both of Osaka, Japan

[73] Assignee: Sharp Corporation, Osaka, Japan

[**] Term: 14 Years

[21] Appl. No.: 570,533

[22] Filed: Jan. 13, 1984

[52] U.S. Cl. D24/21

[58] Field of Search D24/8, 21, 17; D10/52, D10/60, 75, 85; D14/106; D18/11; 73/748, 749; 128/672, 675, 677-683, 900

[56] References Cited

U.S. PATENT DOCUMENTS

D. 259,348	5/1981	Sakai et al.	D18/2
D. 263,422	3/1982	Koshino	D24/21
D. 277,133	1/1985	Houlihan	D24/17
2,571,124	10/1951	Farrand	D24/21 X

FOREIGN PATENT DOCUMENTS

1466900	5/1969	Fed. Rep. of Germany	128/677
2640961	3/1978	Fed. Rep. of Germany	128/677

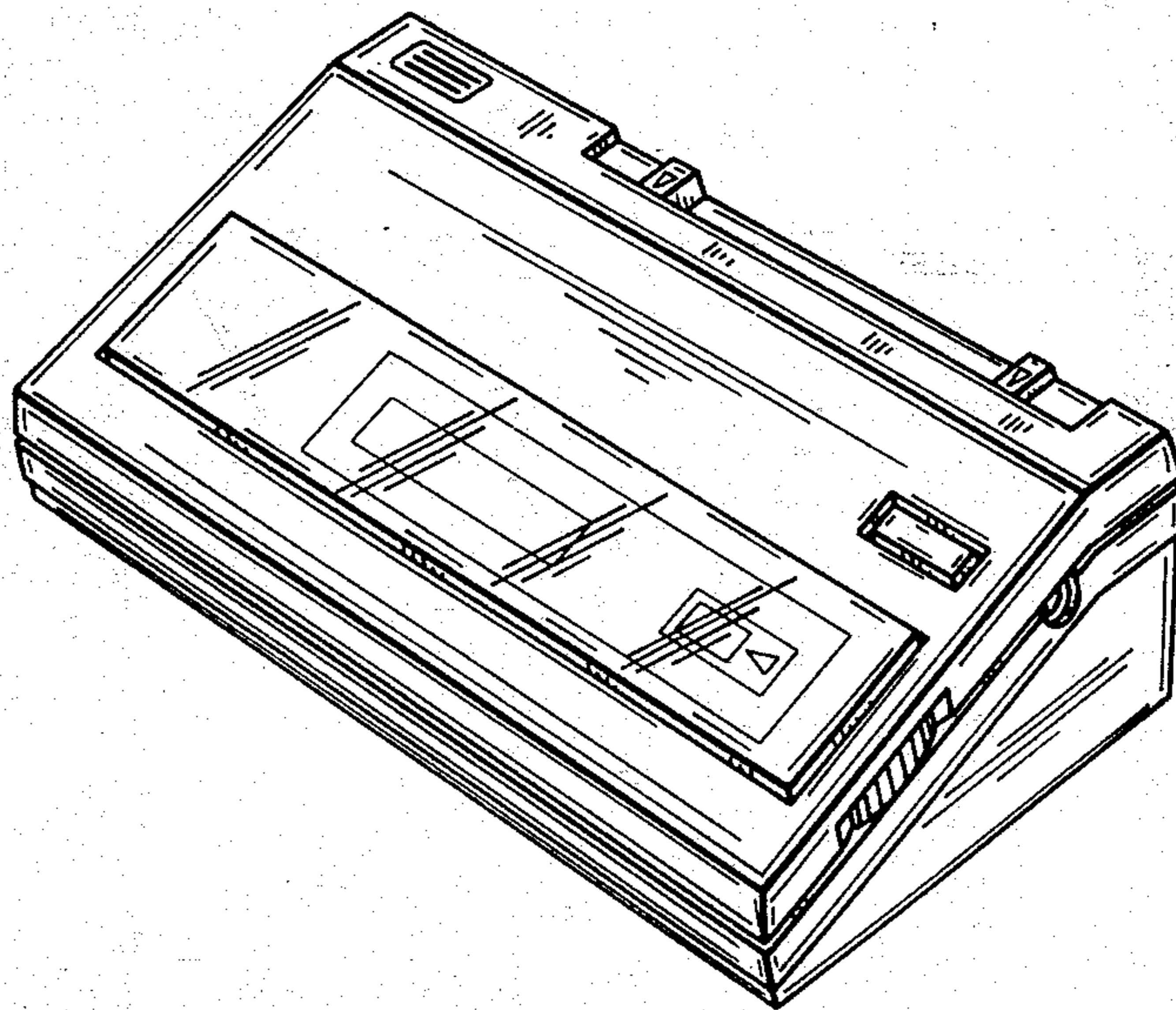
Primary Examiner—A. Hugo Word
Assistant Examiner—Stella M. Reid
Attorney, Agent, or Firm—Flehr, Hohbach, Test, Albritton & Herbert

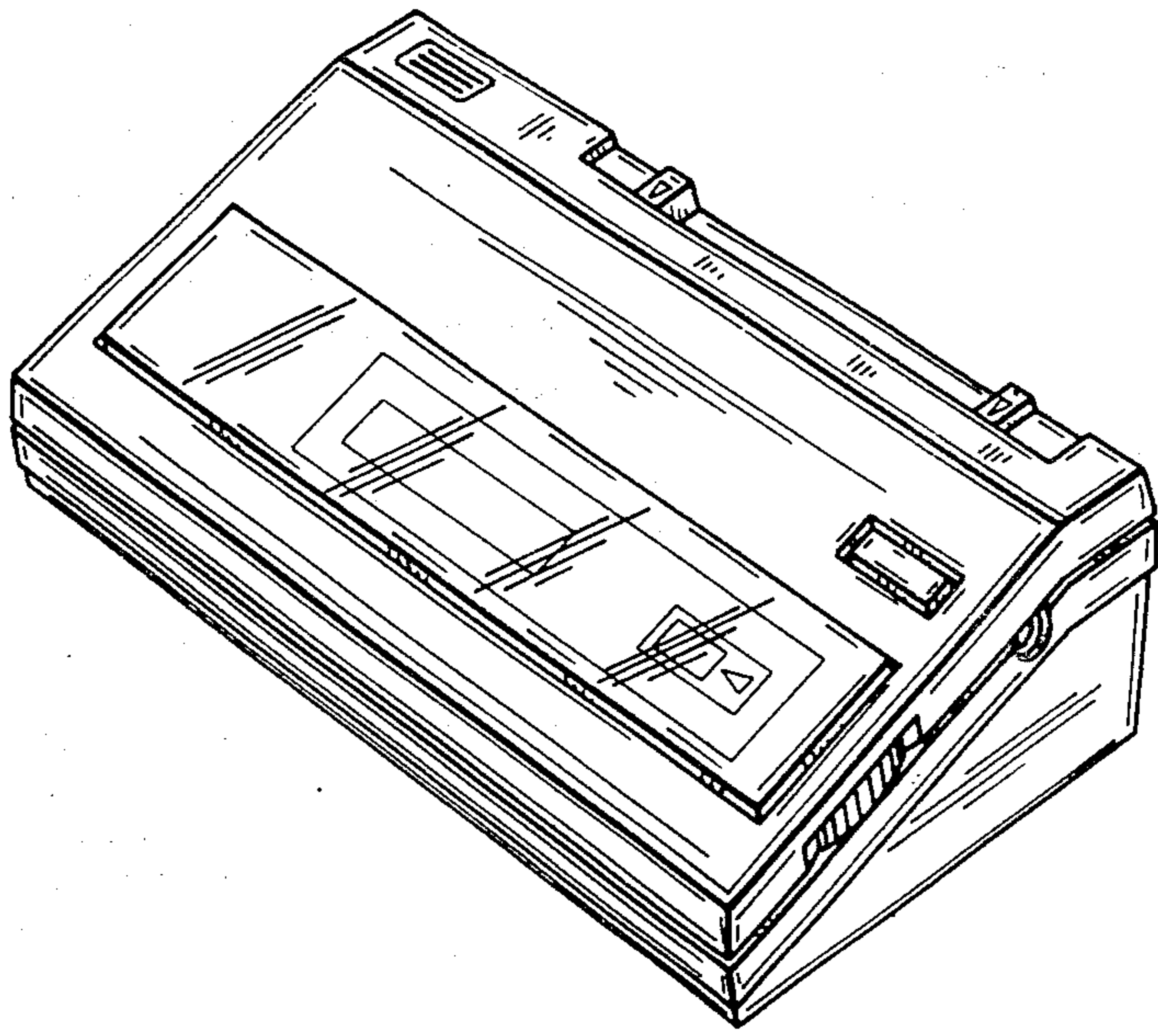
[57] CLAIM

The ornamental design for a sphygmomanometer, as shown and described.

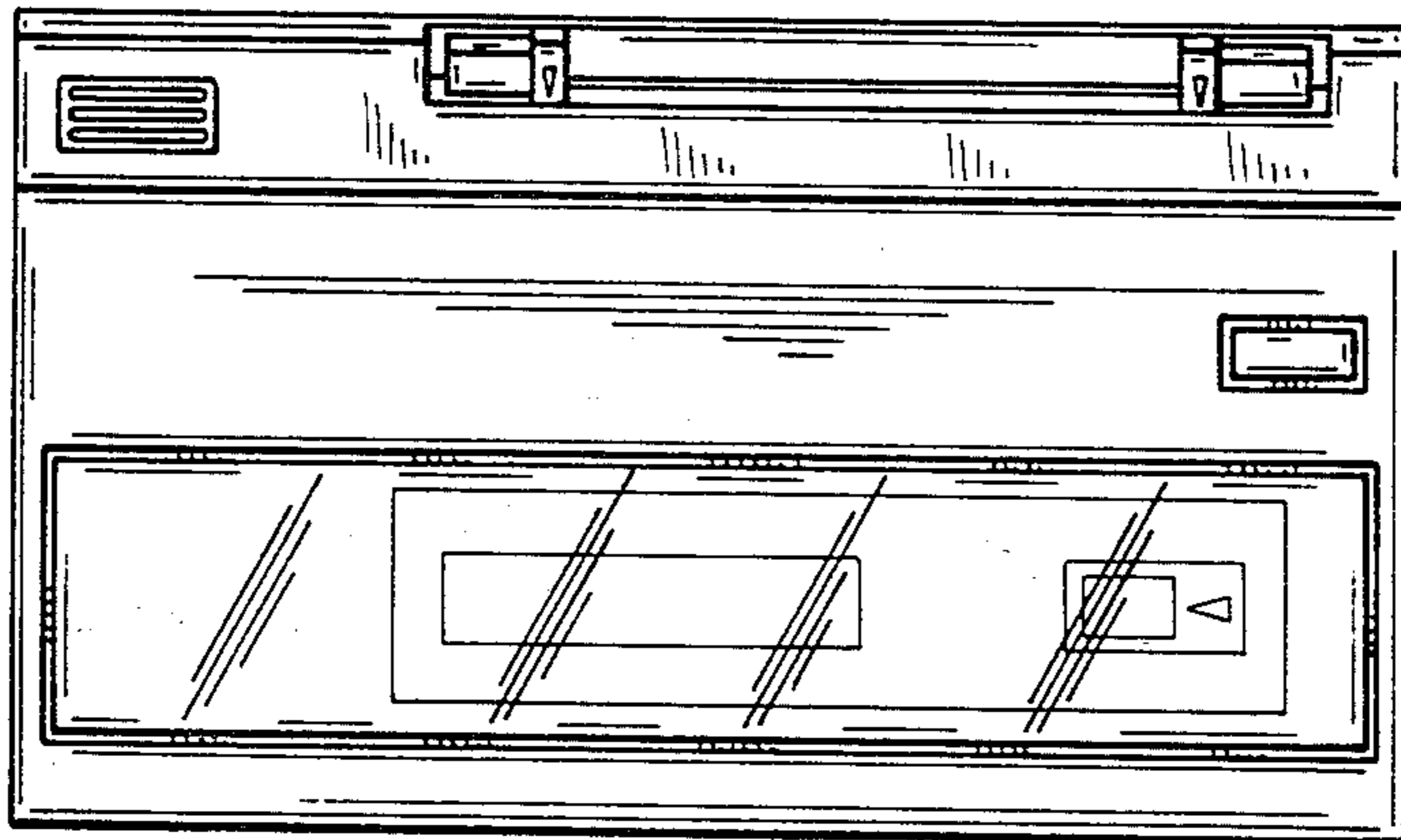
DESCRIPTION

FIG. 1 is a perspective view of a sphygmomanometer showing our new design;
FIG. 2 is a top plan view thereof;
FIG. 3 is a bottom plan view thereof;
FIG. 4 is a front elevational view thereof;
FIG. 5 is a rear elevational view thereof;
FIG. 6 is a right side elevational view thereof; and
FIG. 7 is a left side elevational view thereof.

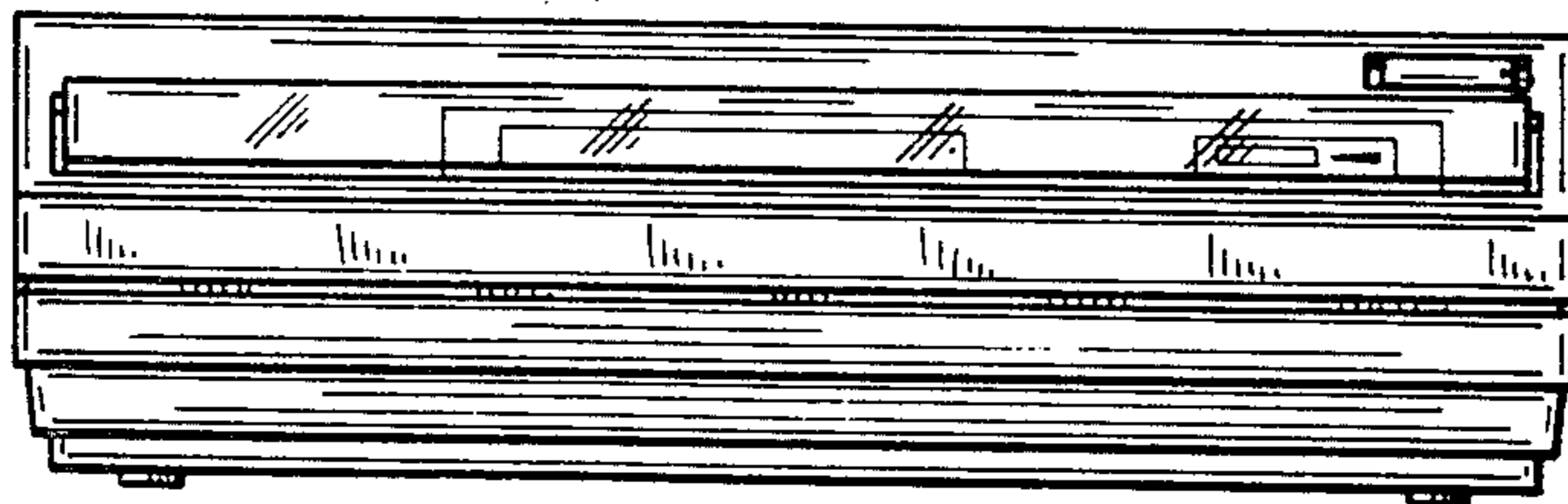




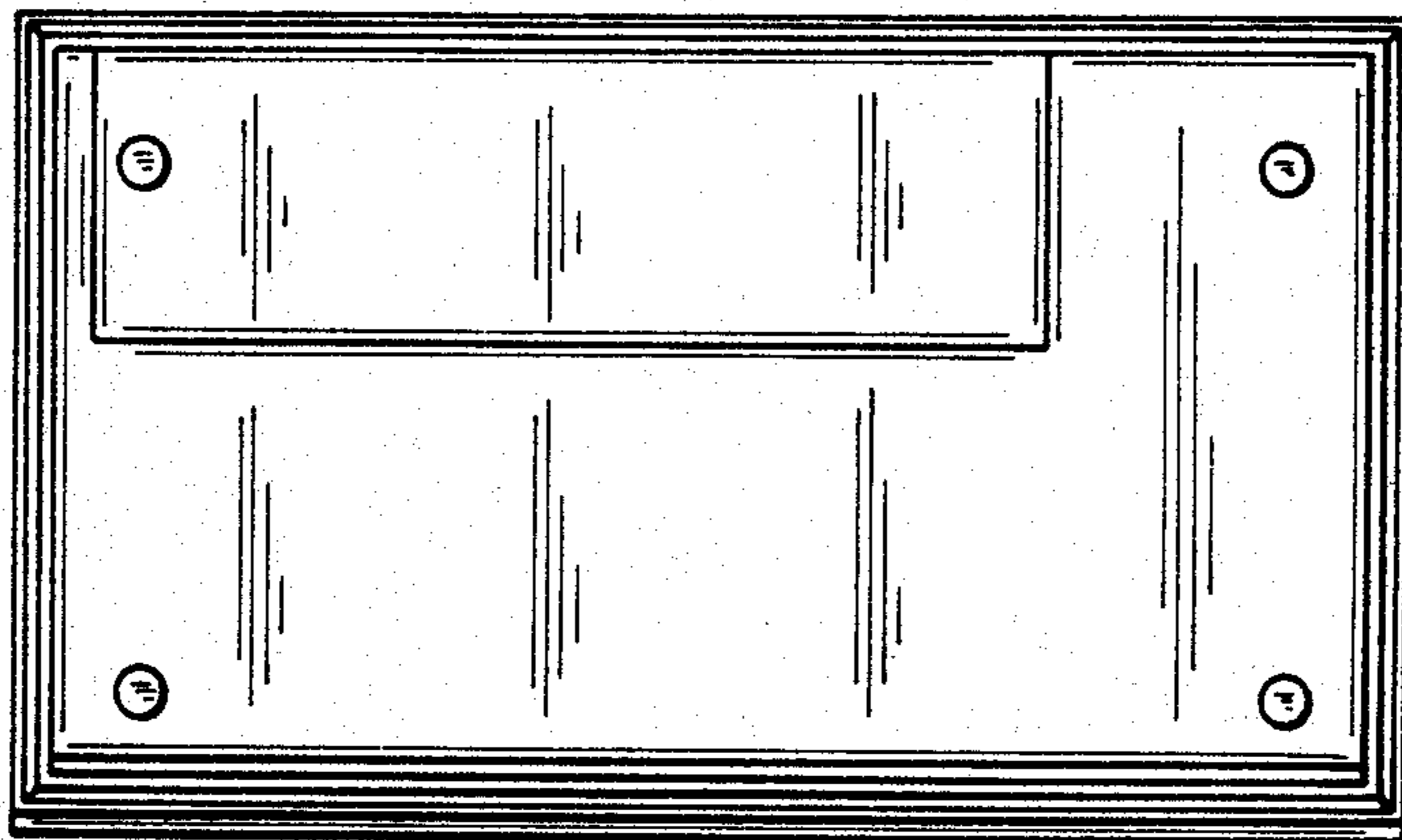
FIG_1



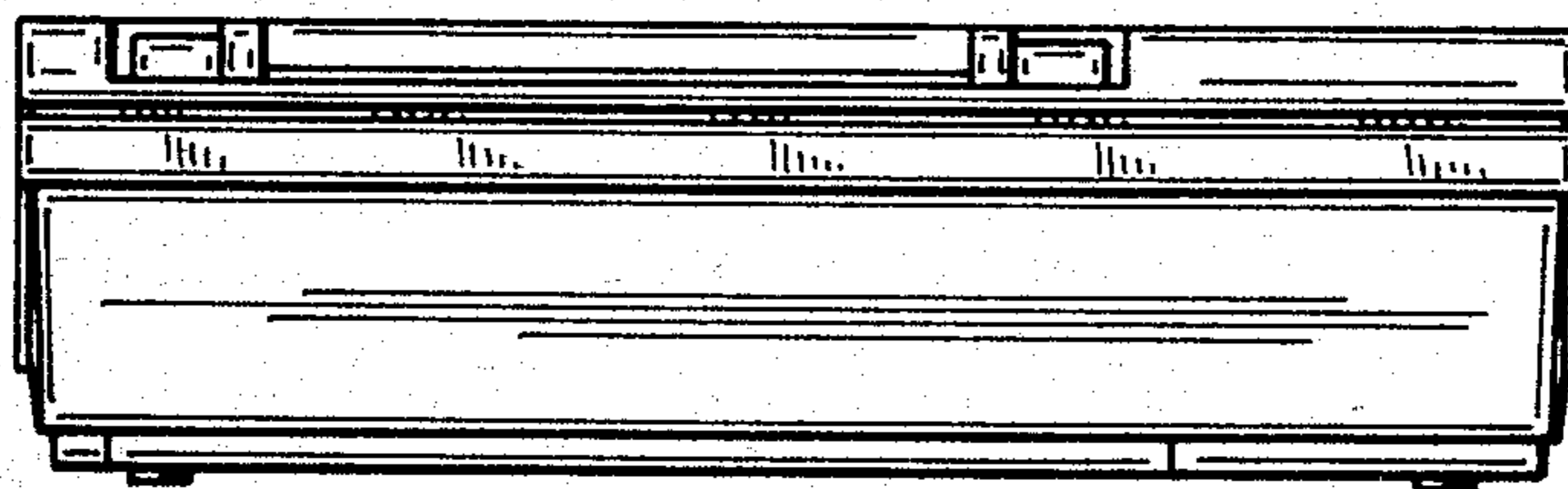
FIG_2



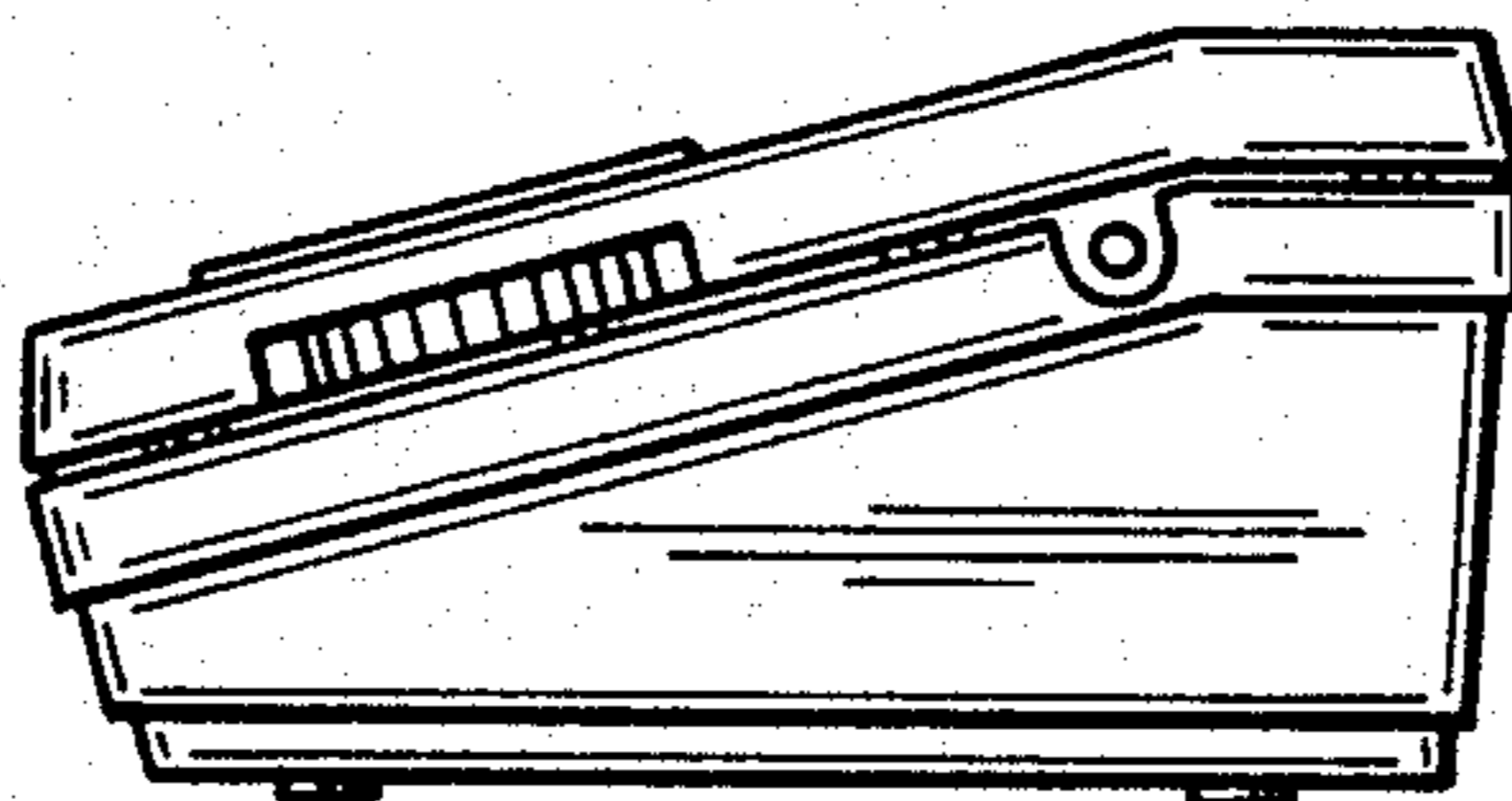
FIG_4



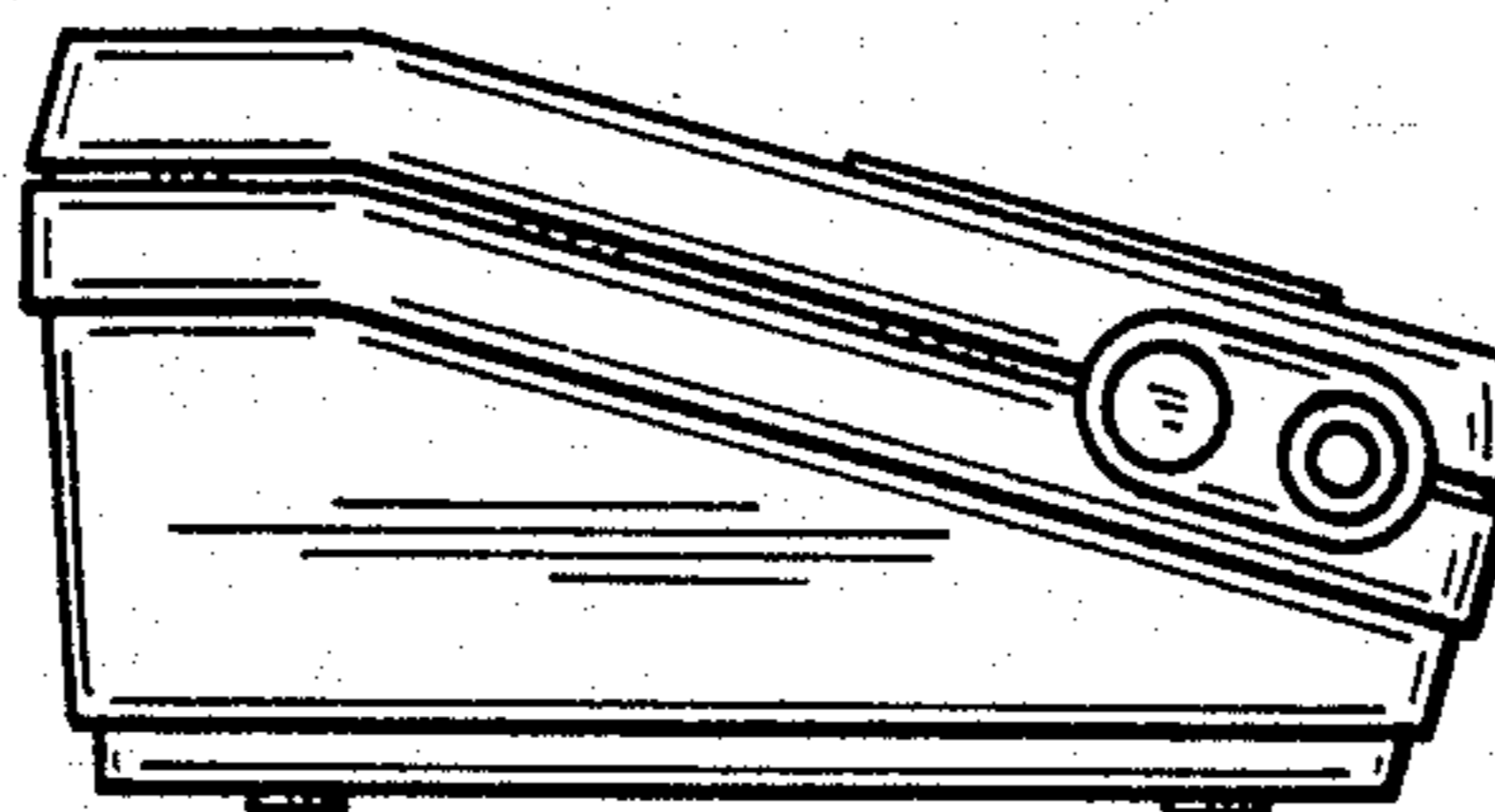
FIG_3



FIG_5



FIG_6



FIG_7